



US00D743047S

(12) **United States Design Patent**
Asao et al.

(10) **Patent No.:** **US D743,047 S**
(45) **Date of Patent:** **** Nov. 10, 2015**

(54) **CONTAINER FOR STORING DISPENSING TIP**

(71) Applicant: **Sysmex Corporation**, Kobe-shi, Hyogo (JP)

(72) Inventors: **Kazuki Asao**, Kobe (JP); **Keiichiro Shohmi**, Kobe (JP); **Katsuhiko Jindo**, Kobe (JP)

(73) Assignee: **SYSMEX CORPORATION**, Hyogo (JP)

(**) Term: **14 Years**

(21) Appl. No.: **29/468,132**

(22) Filed: **Sep. 26, 2013**

(30) **Foreign Application Priority Data**

Mar. 27, 2013 (JP) 2013-006721

(51) **LOC (10) Cl.** **24-02**

(52) **U.S. Cl.**
USPC **D24/226**

(58) **Field of Classification Search**
USPC D24/216, 222, 224-232; 422/500, 547, 422/551, 554, 560, 565-566, 300, 297, 562, 422/104; 211/85.13, 71.01; 435/283.1, 435/288.1, 288.3, 288.4, 305.1, 305.2; D7/605; D3/203.1-203.8, 312, 302, D3/294, 273, 304; 206/363, 499, 503-508, 206/562; D9/434, 454, 423, 420, 424
CPC ... A61L 2/26; B01L 2300/0816; B01L 3/565; B01L 3/50825; B01L 3/5085; B01L 9/06; B01L 9/00; G01N 35/1002; A61B 5/1427; A61B 19/0256; A61B 19/026; A47J 47/16; B01J 2219/00596; C12M 23/08; C12M 1/22; B65B 59/04; B65B 11/58; B65D 85/62; B65D 21/0224; B65D 21/062

See application file for complete search history.

(56) **References Cited**

U.S. PATENT DOCUMENTS

D280,015	S	*	8/1985	Sarajian	D24/227
4,772,418	A	*	9/1988	Leoncavallo	422/297
D306,227	S	*	2/1990	Ross	D3/312
D330,161	S	*	10/1992	Schuh	D9/423
D342,609	S	*	12/1993	Brightbill	D3/294
D349,646	S	*	8/1994	Dickinson	D3/302
D352,116	S	*	11/1994	Kienholz	D24/227
D361,511	S	*	8/1995	Dickinson et al.	D7/605
D363,669	S	*	10/1995	Pennoyer, Jr.	D9/420
D381,512	S	*	7/1997	Green	D3/294
D465,921	S	*	11/2002	Northrop et al.	D3/273
6,875,405	B1	*	4/2005	Mathus et al.	422/562
D513,122	S	*	12/2005	Greene	D3/294
D513,451	S	*	1/2006	Richardson et al.	D3/273
D529,622	S	*	10/2006	Hadjis et al.	D24/229
D531,802	S	*	11/2006	Zimmerman	D3/276
D535,478	S	*	1/2007	Uffner et al.	D3/273

(Continued)

Primary Examiner — T. Chase Nelson

Assistant Examiner — Mark Cavanna

(74) *Attorney, Agent, or Firm* — Brinks Gilson & Lione

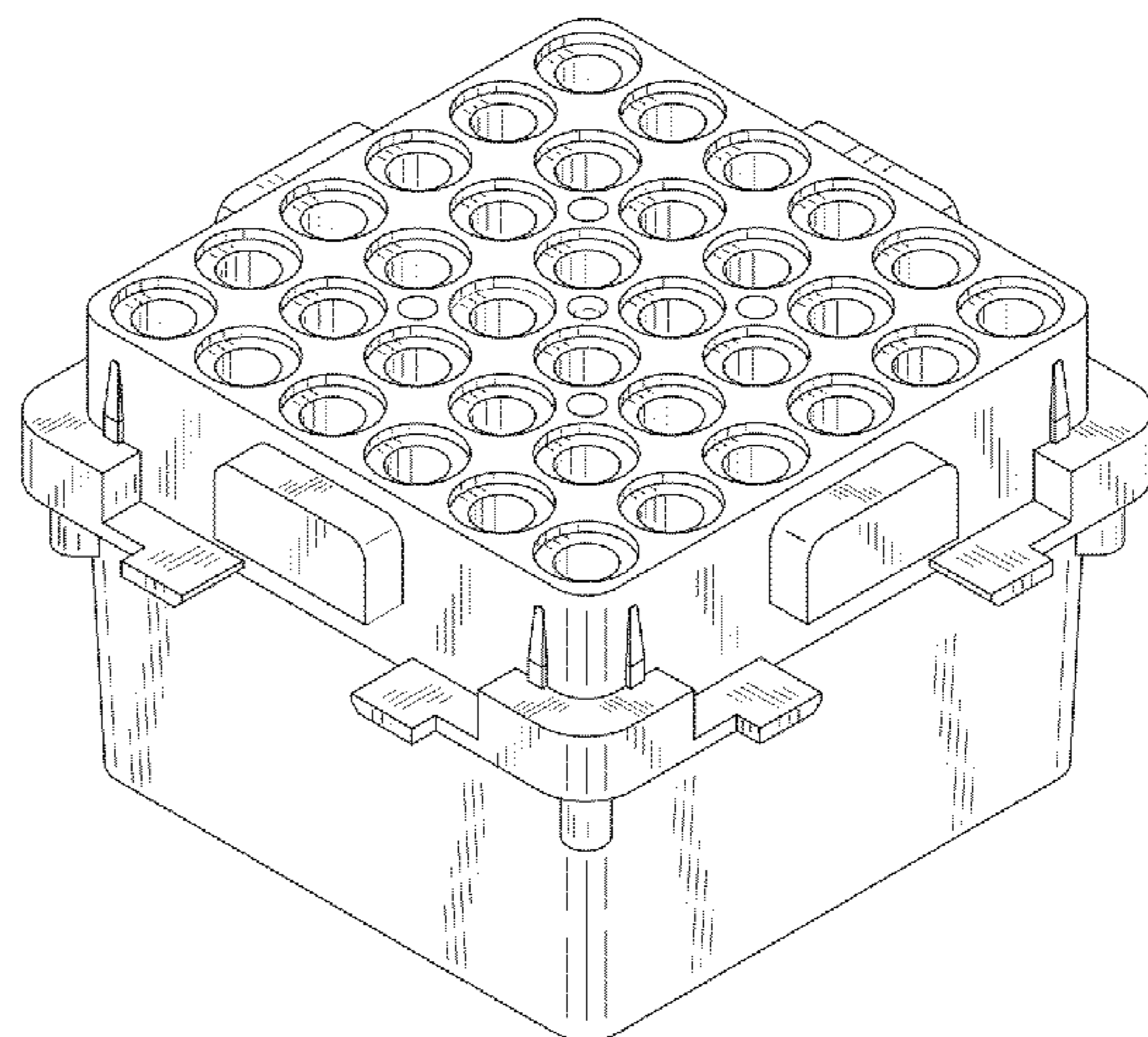
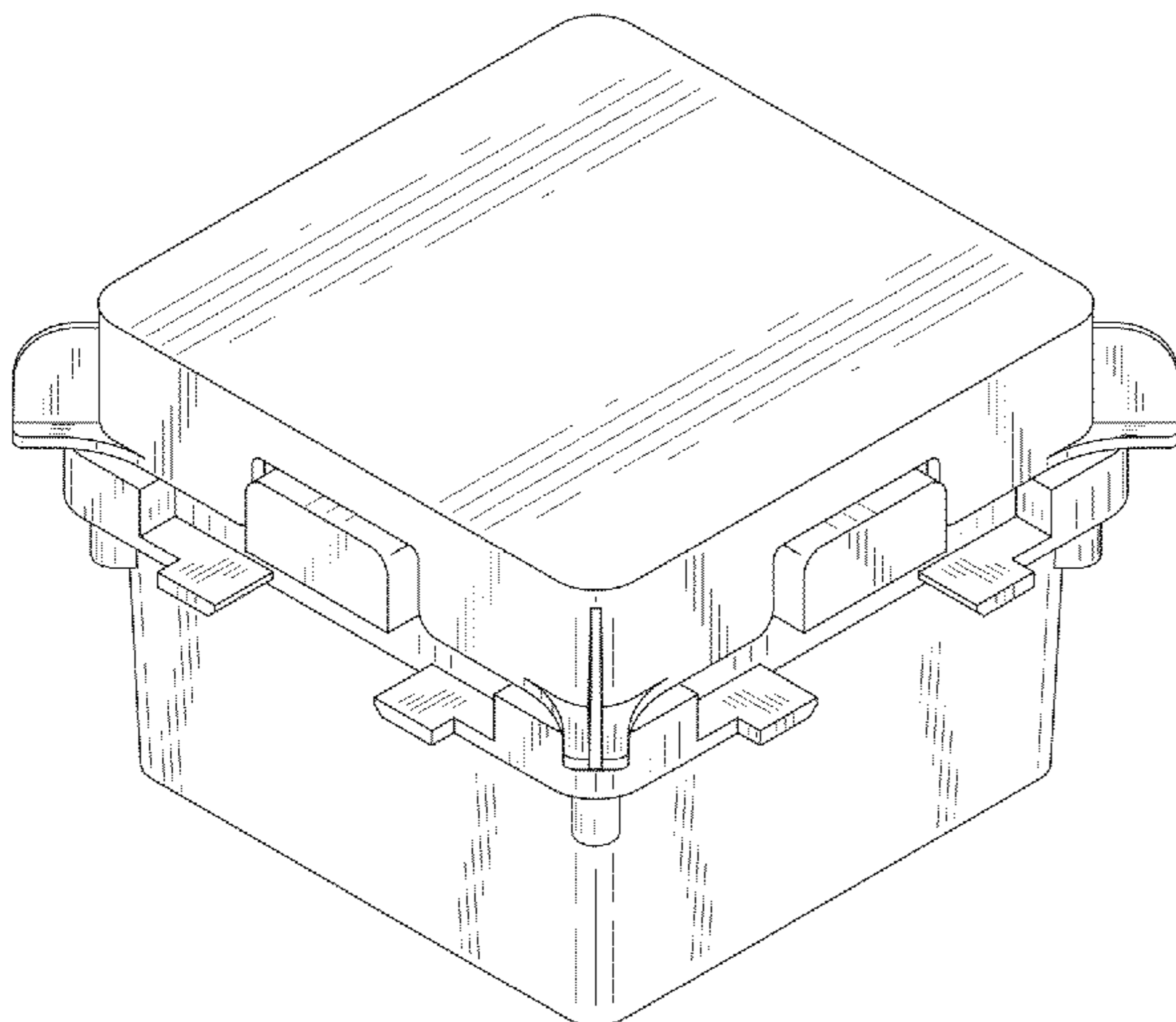
(57) **CLAIM**

We claim the ornamental design for a container for storing dispensing tip, as shown and described.

DESCRIPTION

FIG. 1 is a perspective view of a container for storing dispensing tip of the present invention;
FIG. 2 is a front view thereof;
FIG. 3 is a rear view thereof;
FIG. 4 is a right side view thereof;
FIG. 5 is a left side view thereof;
FIG. 6 is a top view thereof;
FIG. 7 is a bottom view thereof;
FIG. 8 is a cross-sectional view taken along the line 8-8 of FIG. 2; and,
FIG. 9 is a second perspective view with the cover detached.

1 Claim, 5 Drawing Sheets



(56)

References Cited

U.S. PATENT DOCUMENTS

D578,759 S * 10/2008 Grenier et al. D3/294
D593,207 S * 5/2009 Ayliffe D24/229
D602,255 S * 10/2009 Ahlgrim et al. D3/304
D631,649 S * 2/2011 Patenaude D3/203.1

D634,930 S * 3/2011 Lalo D3/294
D729,004 S * 5/2015 Deuber et al. D9/424
D732,686 S * 6/2015 Lui D24/227
2005/0150808 A1* 7/2005 Sarna et al. 206/562
2006/0045815 A1* 3/2006 Hovatter 422/104
2011/0236278 A1* 9/2011 Motadel et al. 422/560

* cited by examiner

FIG. 1

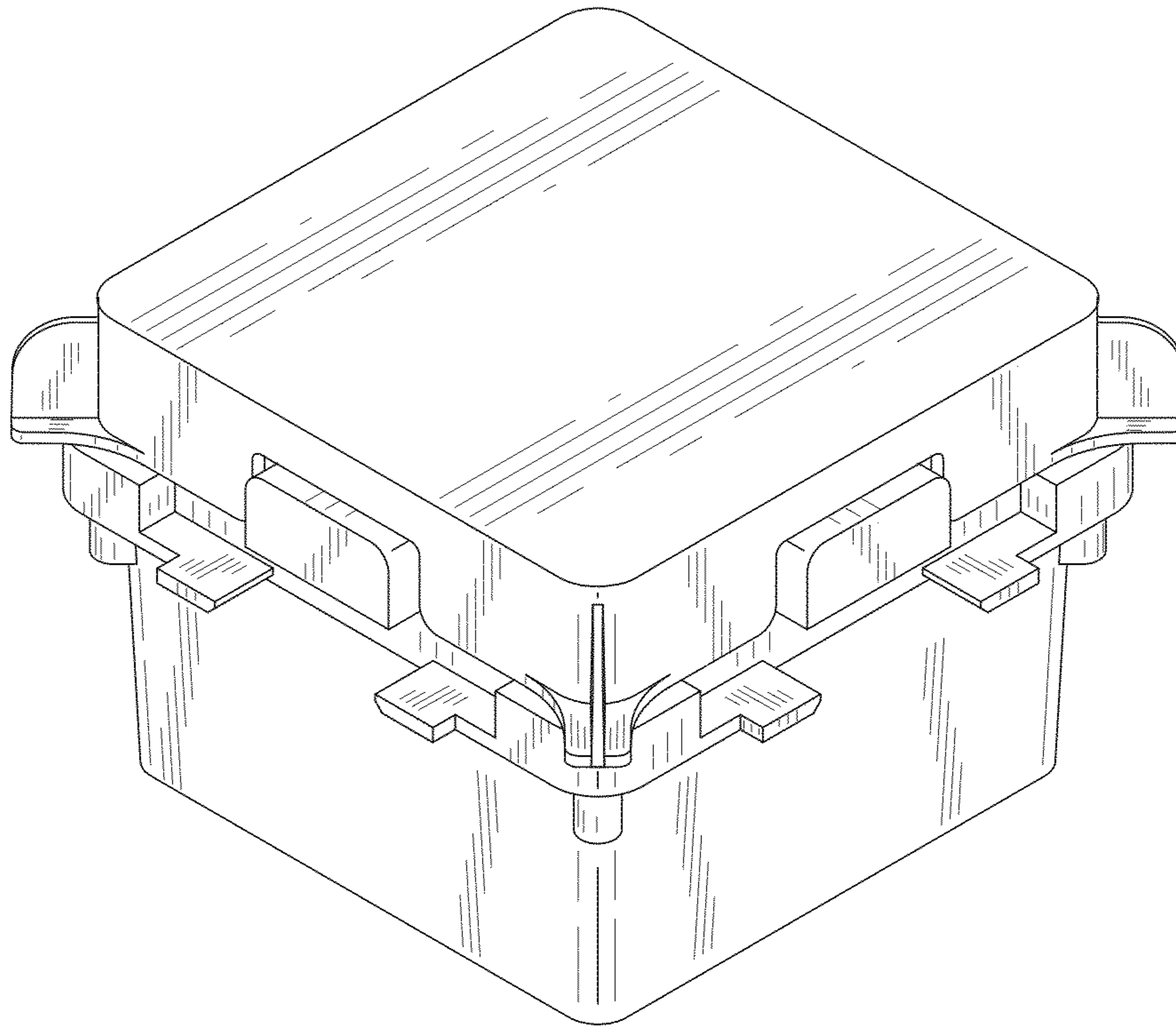


FIG. 2

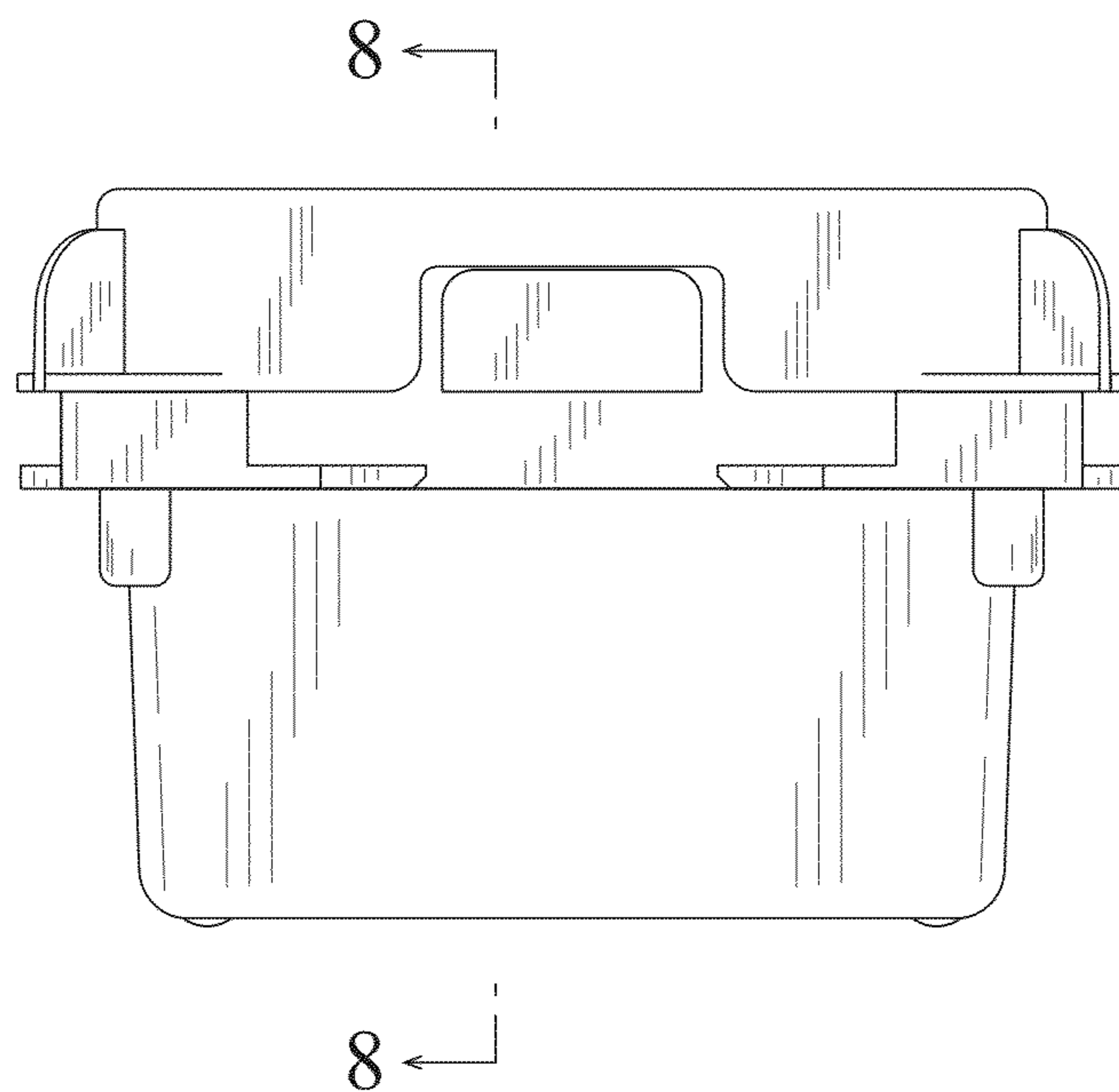


FIG.3

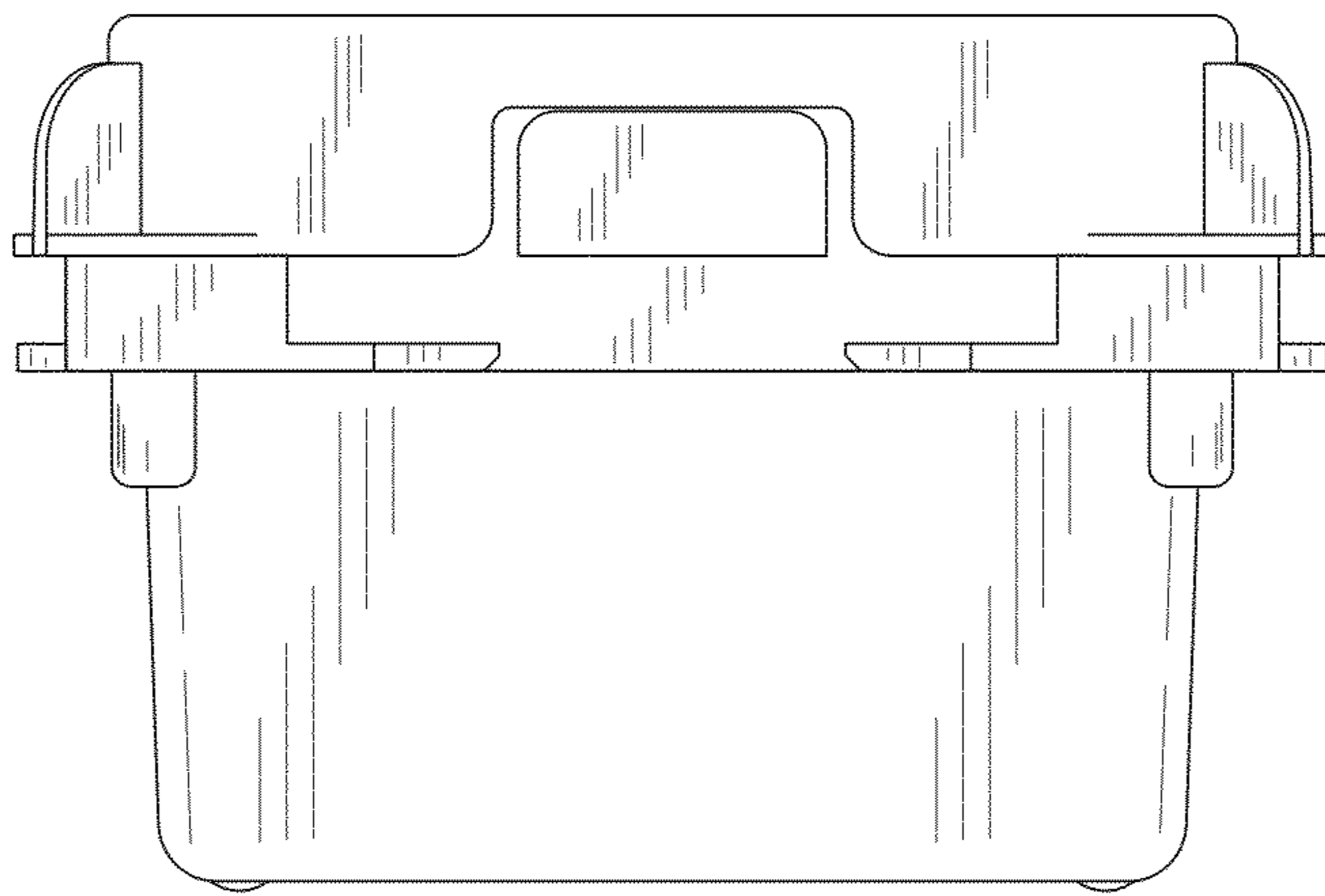


FIG.4

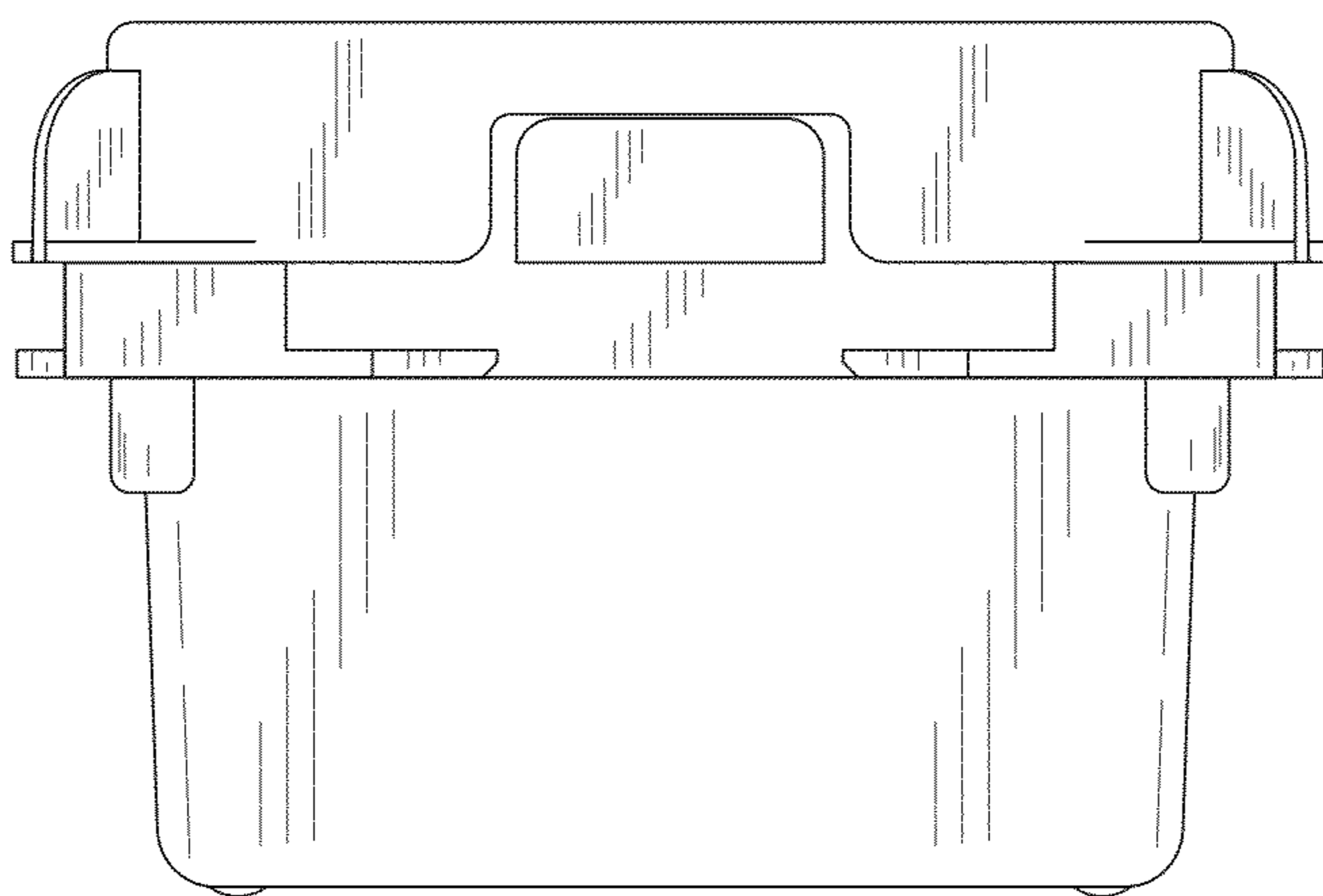


FIG.5

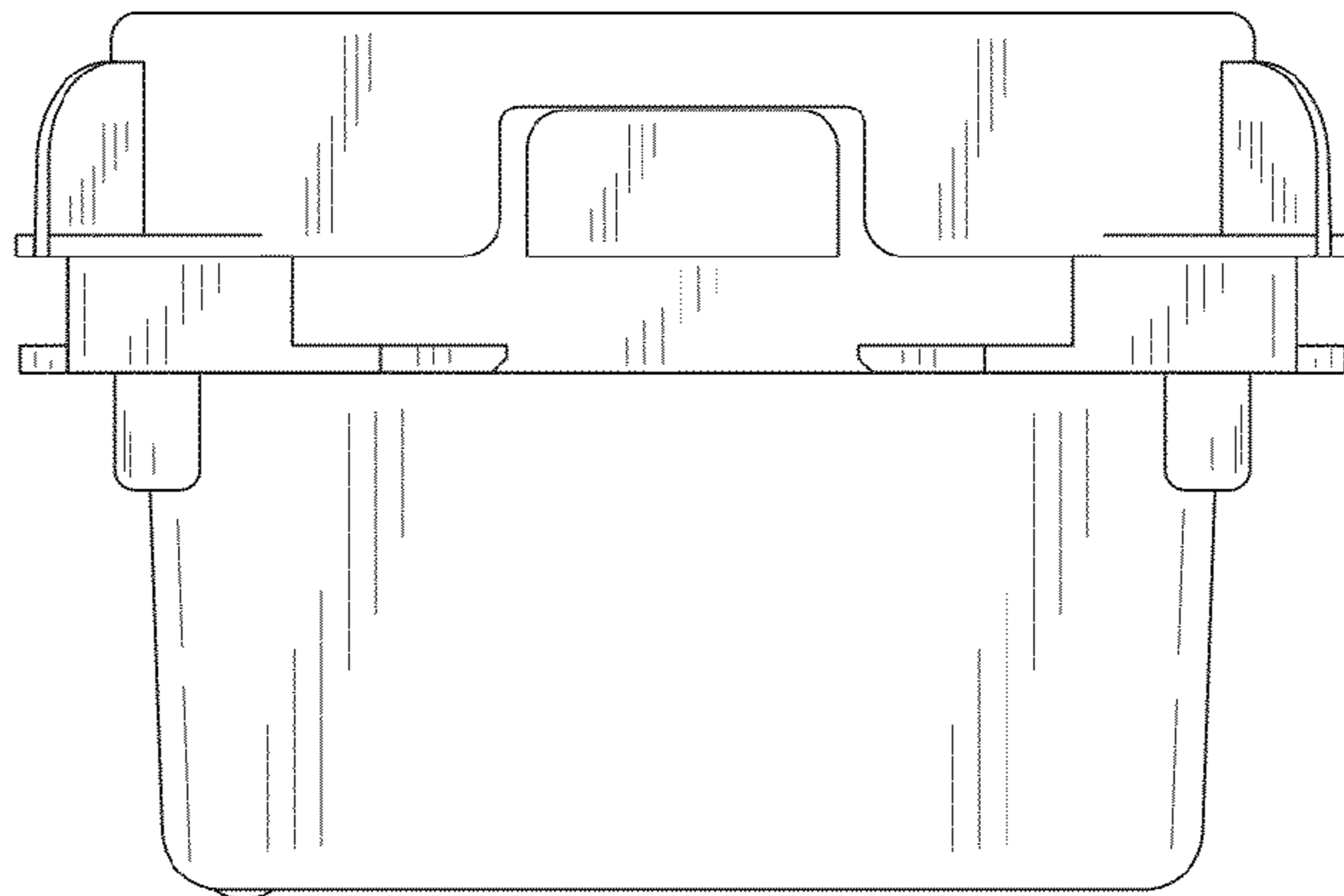


FIG.6

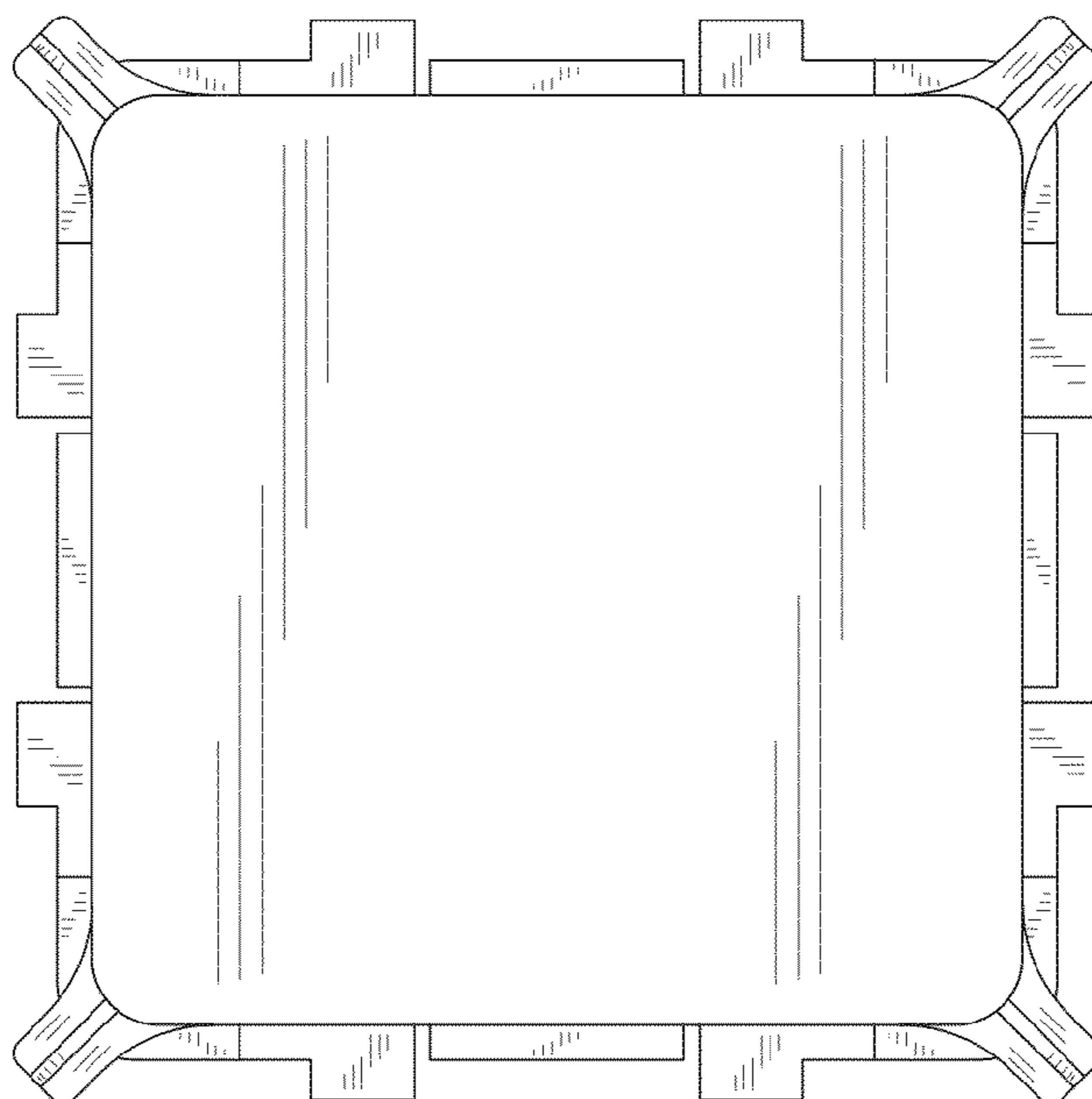


FIG.7

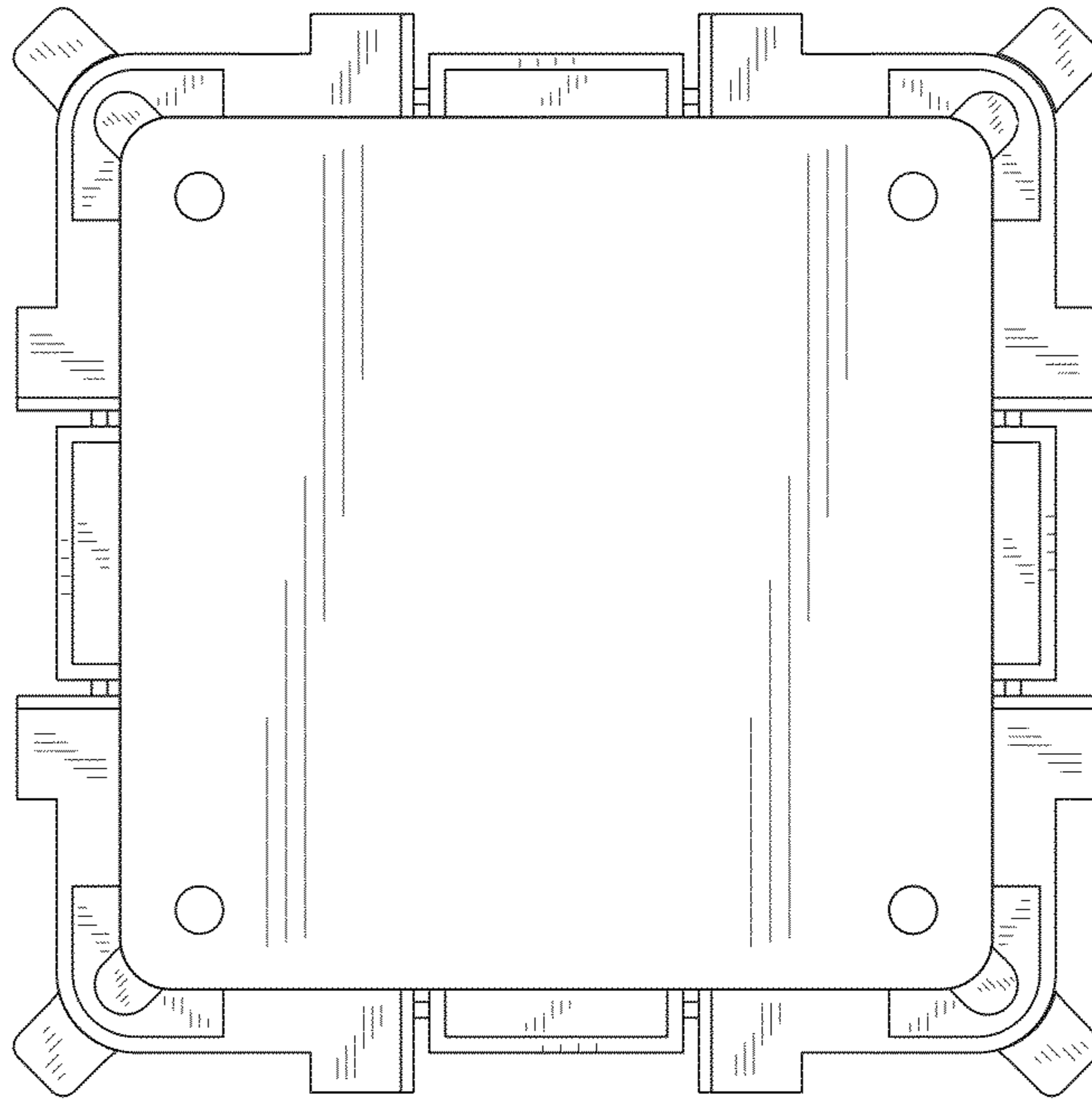


FIG.8

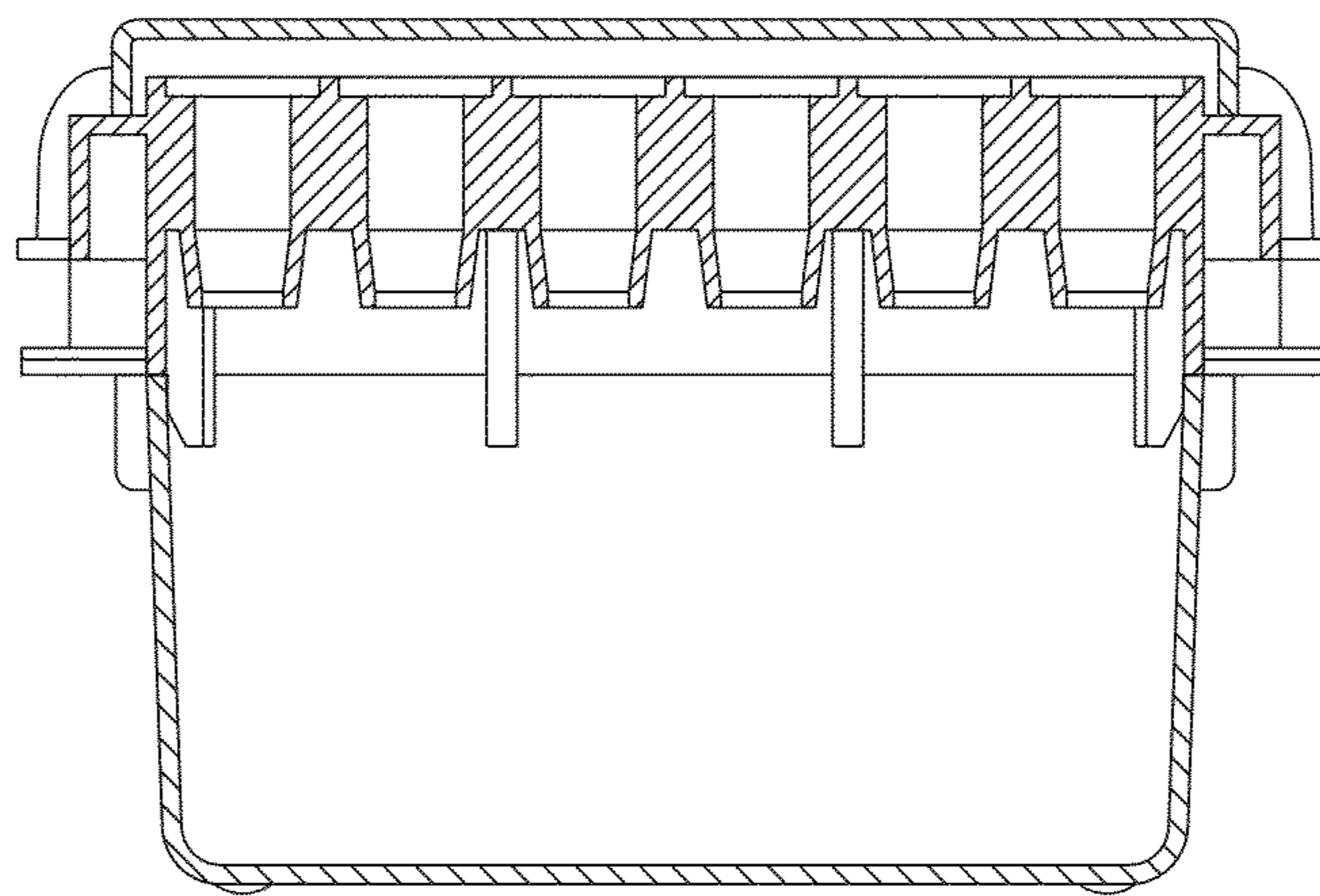


FIG.9

