



US00D743044S

(12) **United States Design Patent**  
**Jackson et al.**

(10) **Patent No.:** **US D743,044 S**

(45) **Date of Patent:** **\*\* Nov. 10, 2015**

(54) **TUBE RESTRICTOR FOR EXPRESSING FLUID FROM A SWAB**

*Primary Examiner* — Anhdao Doan

(74) *Attorney, Agent, or Firm* — Mintz Levin Cohn Ferris Glovsky and Popeo, P.C.; David G. Conlin; Carolina E. Säve

(71) Applicant: **DNA Genotek Inc.**, Kanata (CA)

(72) Inventors: **Adele Jackson**, Stittsville (CA); **Rafal Michal Iwasow**, Ottawa (CA); **Jonathan D. Liberty**, Toronto (CA)

(57) **CLAIM**

The ornamental design for a tube restrictor for expressing fluid from a swab, as shown and described.

(73) Assignee: **DNA Genotek Inc.**, Kanata (CA)

(\*\*) Term: **14 Years**

**DESCRIPTION**

(21) Appl. No.: **29/514,859**

(22) Filed: **Jan. 16, 2015**

(51) **LOC (10) Cl.** ..... **24-01**

(52) **U.S. Cl.**  
USPC ..... **D24/216**; D24/129; D24/224

(58) **Field of Classification Search**  
USPC ..... D24/216, 223–225, 231, 232, 186, 108, D24/112, 119, 121, 127, 129; D10/81; 604/1–3; 600/569, 572, 578; 422/400–405, 547–550, 554, 558, 562; 435/288.1, 288.4, 304.1, 305.2  
CPC ..... A61B 10/0096; A61B 10/0038; A61B 10/02; A61B 2010/0074  
See application file for complete search history.

FIG. 1 is a left perspective view of a first embodiment of a tube restriction for expressing fluid from a swab;  
FIG. 2 is a top view thereof;  
FIG. 3 is a right perspective view thereof;  
FIG. 4 is a front view thereof;  
FIG. 5 is a cross-sectional view thereof taken along line 5-5 in FIG. 4;  
FIG. 6 is a side view thereof;  
FIG. 7 is a cross-sectional view thereof taken along line 7-7 in FIG. 6;  
FIG. 8 is a rear view thereof;  
FIG. 9 is a bottom left perspective view thereof;  
FIG. 10 is a bottom view thereof;  
FIG. 11 is a bottom right perspective view thereof;  
FIG. 12 is a left perspective view of a second embodiment of a tube restriction for expressing fluid from a swab;  
FIG. 13 is a top view thereof;  
FIG. 14 is a right perspective view thereof;  
FIG. 15 is a front view thereof;  
FIG. 16 is a cross-sectional view thereof taken along line 16-16 in FIG. 15;  
FIG. 17 is a side view thereof;  
FIG. 18 is a cross-sectional view thereof taken along line 18-18 in FIG. 17;  
FIG. 19 is a rear view thereof;  
FIG. 20 is a bottom left perspective view thereof;  
FIG. 21 is a bottom view thereof; and,  
FIG. 22 is a bottom right perspective view thereof.

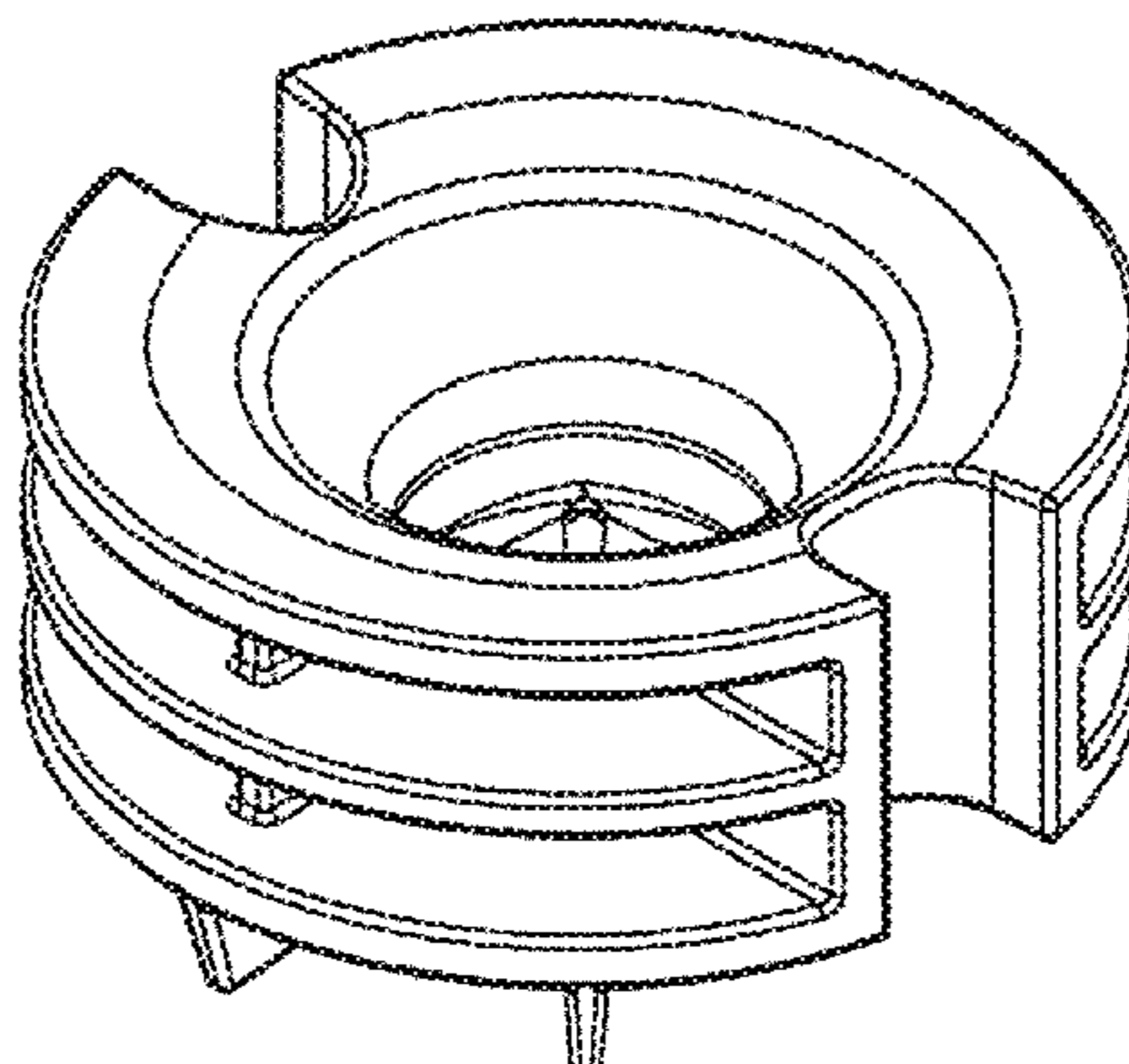
(56) **References Cited**

U.S. PATENT DOCUMENTS

D303,710	S	*	9/1989	Neill	.....	D24/129
D372,093	S	*	7/1996	Sampson et al.	.....	D24/129
D375,160	S	*	10/1996	Sampson et al.	.....	D24/129
D402,766	S	*	12/1998	Smith et al.	.....	D24/227
D424,440	S	*	5/2000	Wilkinson et al.	.....	D24/224
D659,254	S	*	5/2012	Miyashita et al.	.....	D24/216
D660,960	S	*	5/2012	Gronberg	.....	D24/129
2009/0216213	A1	*	8/2009	Muir et al.	.....	604/414
2011/0212002	A1	*	9/2011	Curry et al.	.....	422/430
2012/0061392	A1	*	3/2012	Beach et al.	.....	220/23.83
2013/0344615	A1	*	12/2013	Bodner et al.	.....	422/547

\* cited by examiner

**1 Claim, 22 Drawing Sheets**



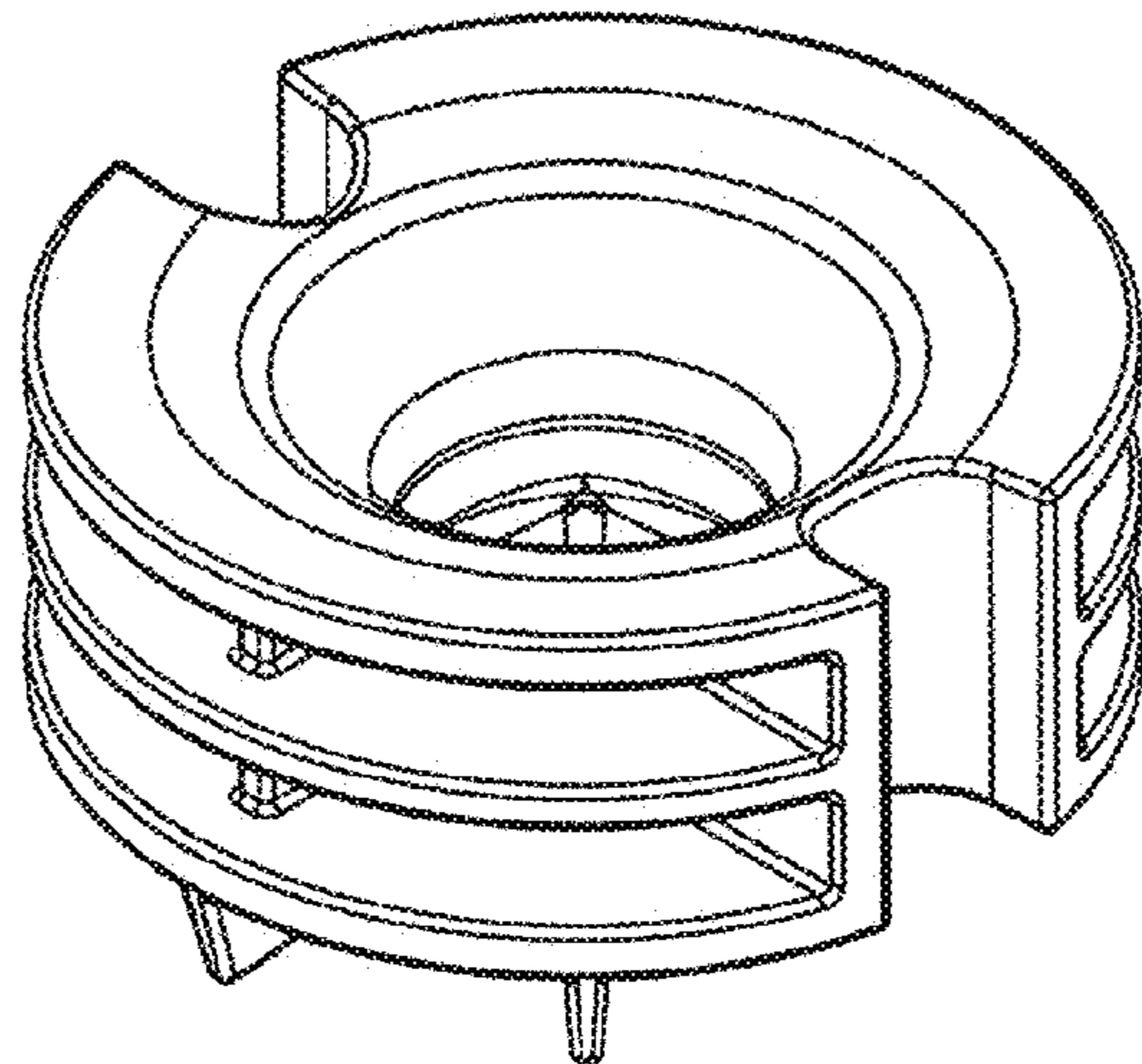


FIG. 1

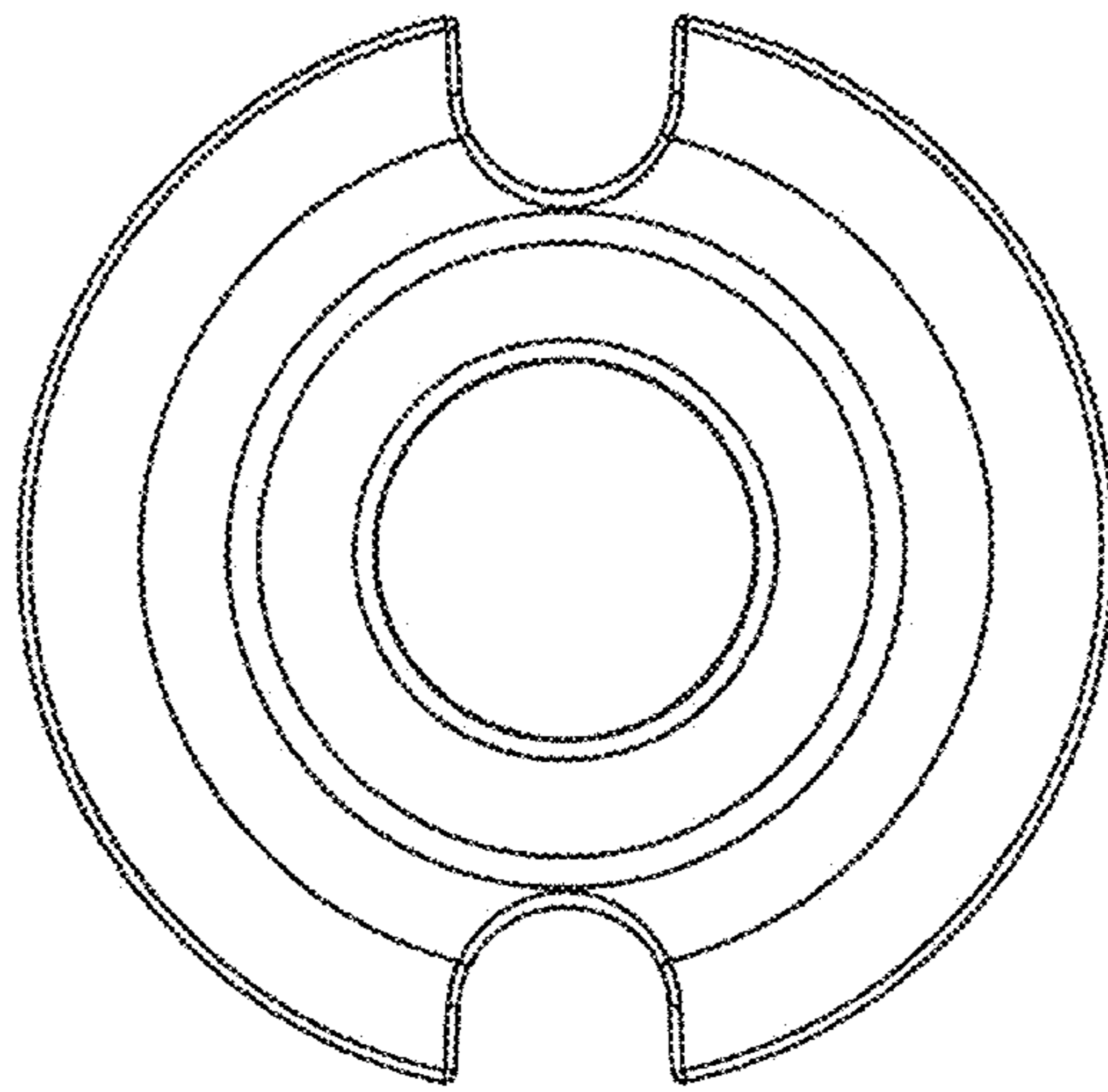


FIG. 2

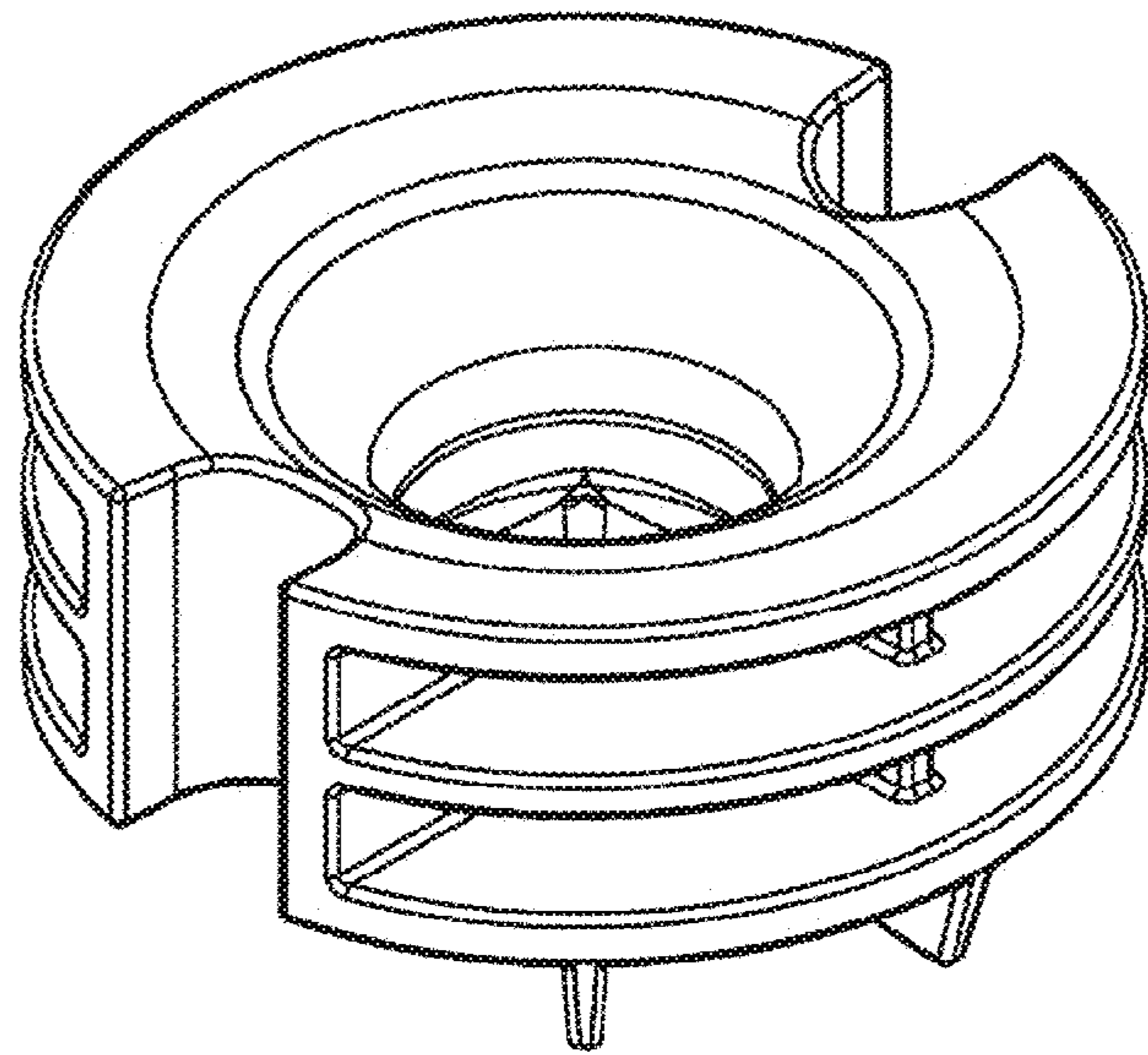


FIG. 3

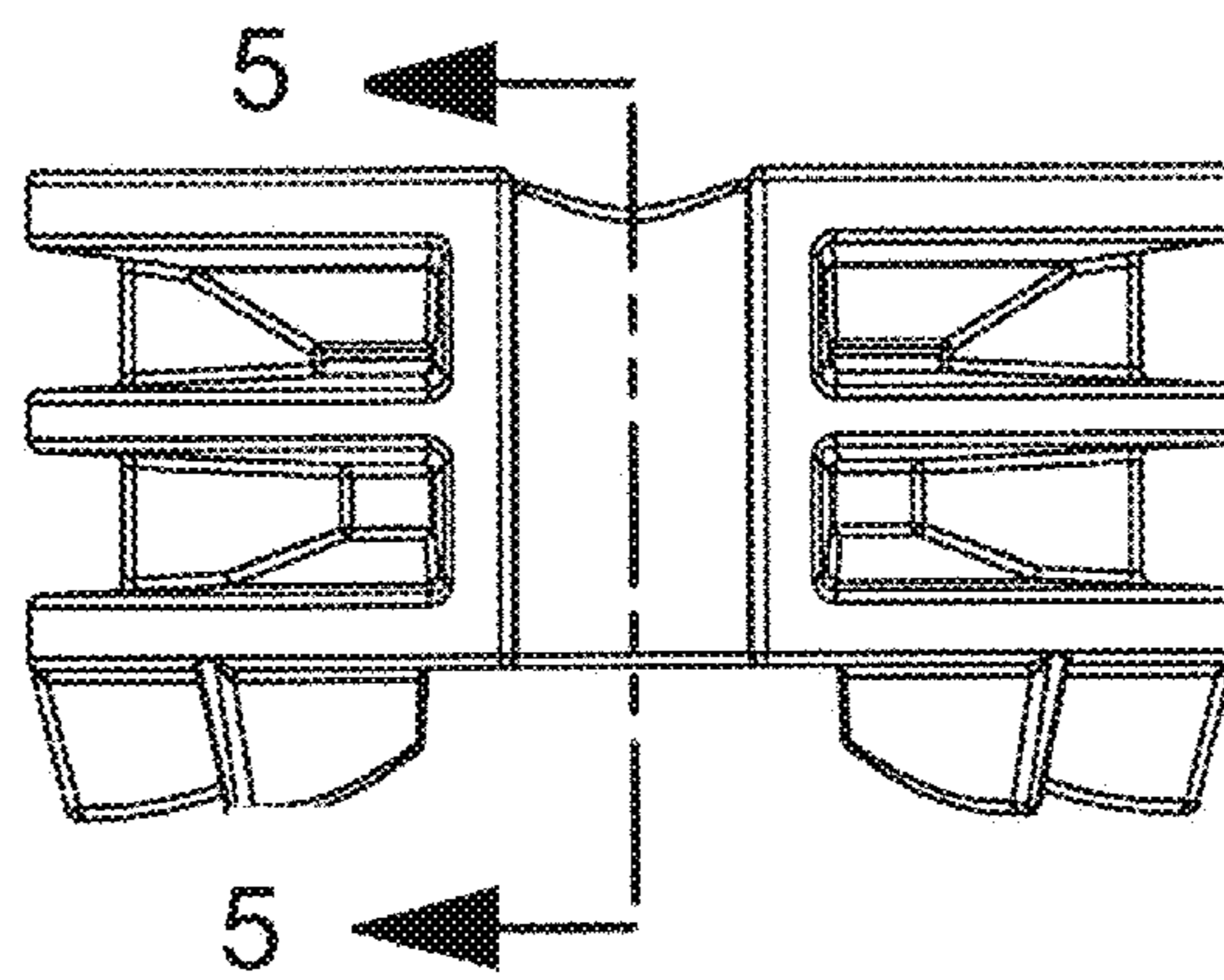


FIG. 4

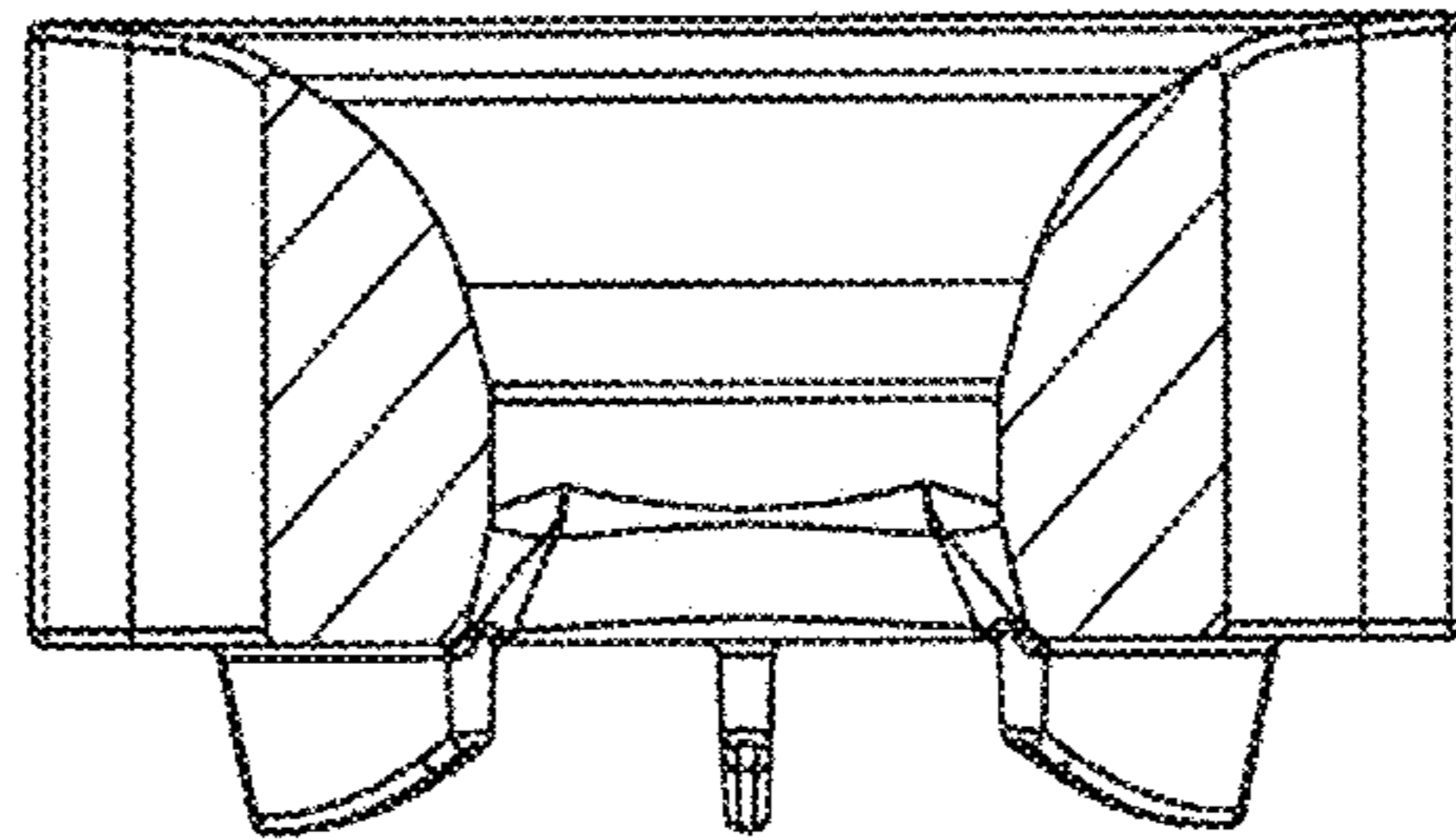


FIG. 5

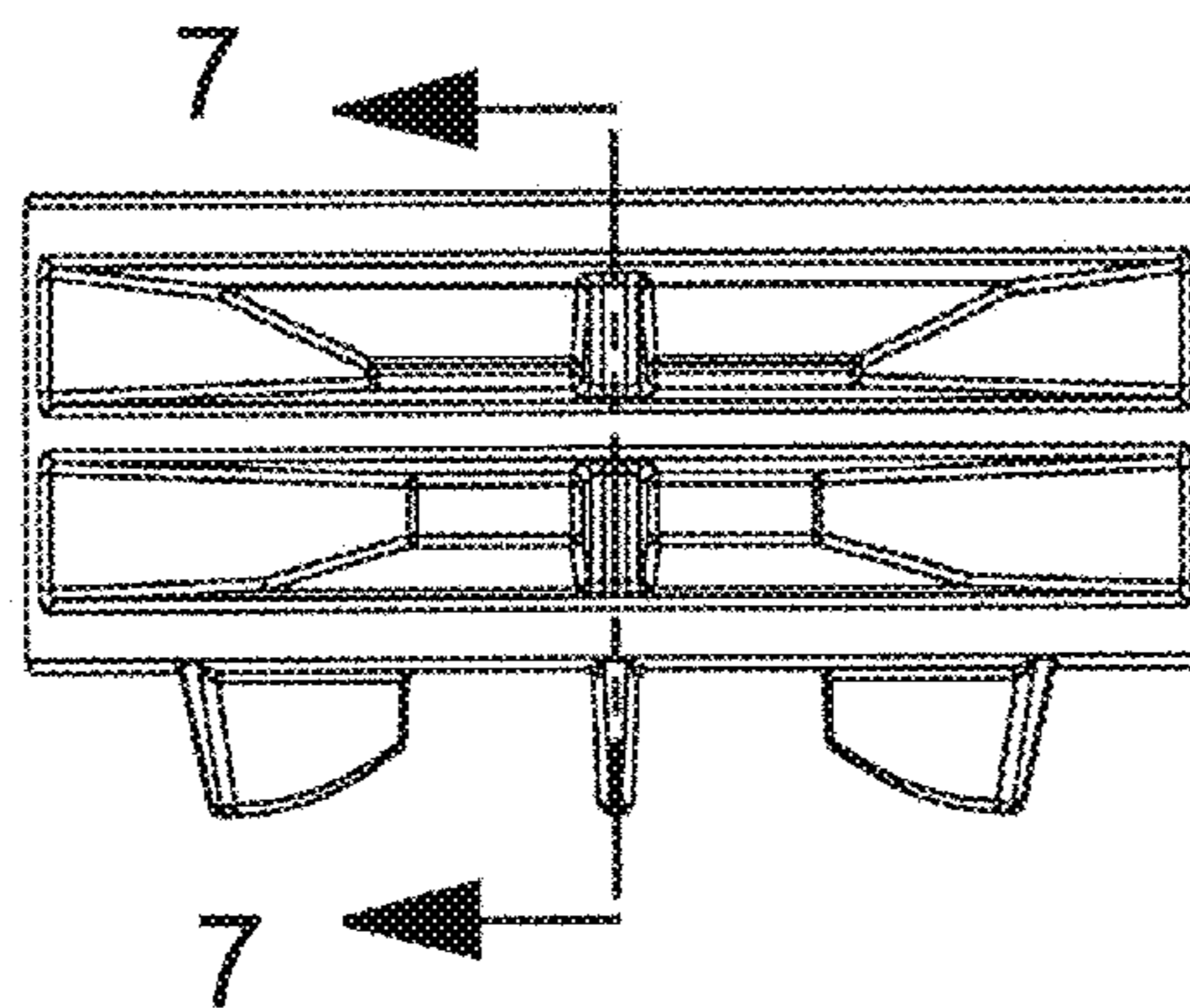


FIG. 6

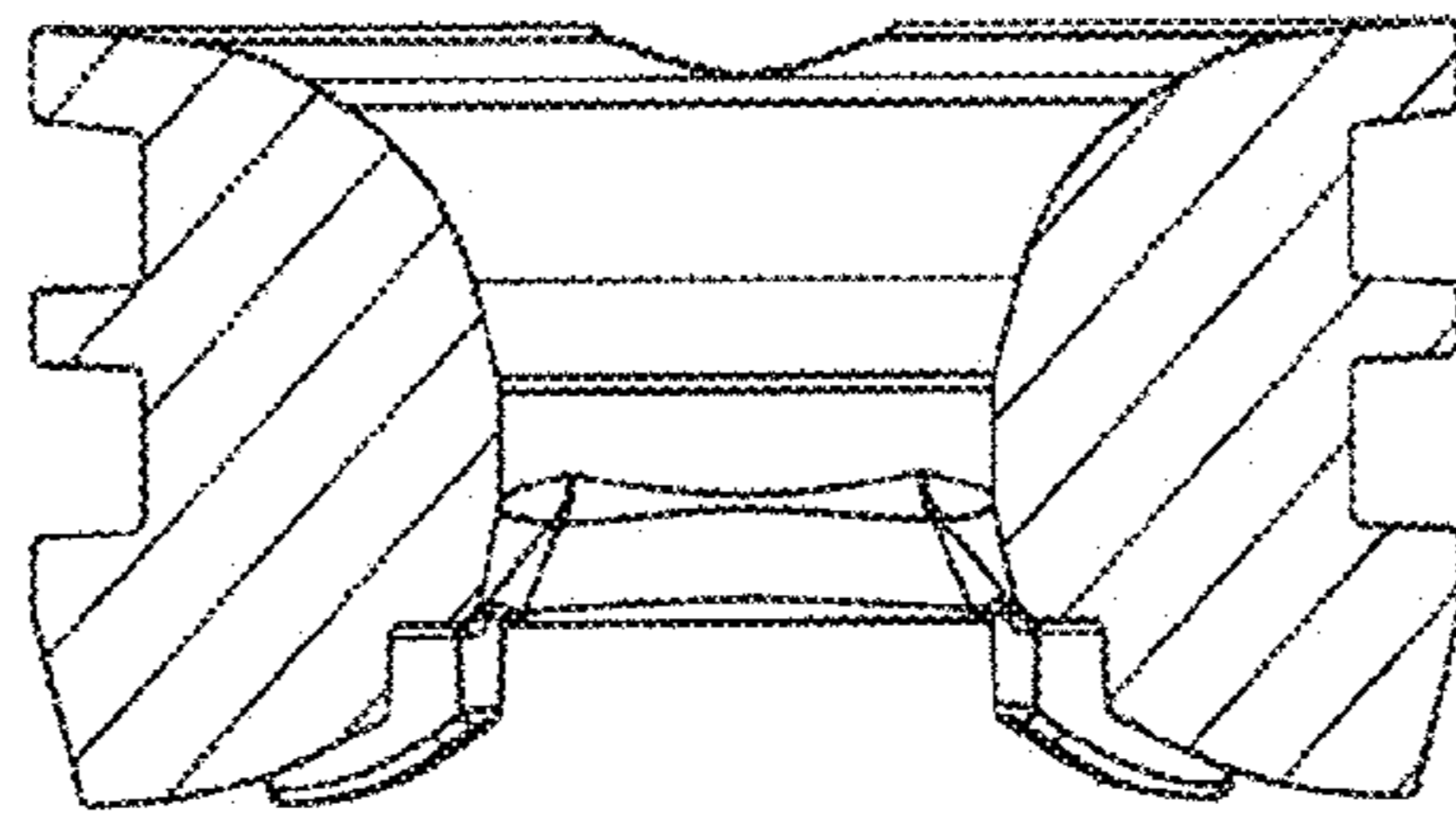


FIG. 7



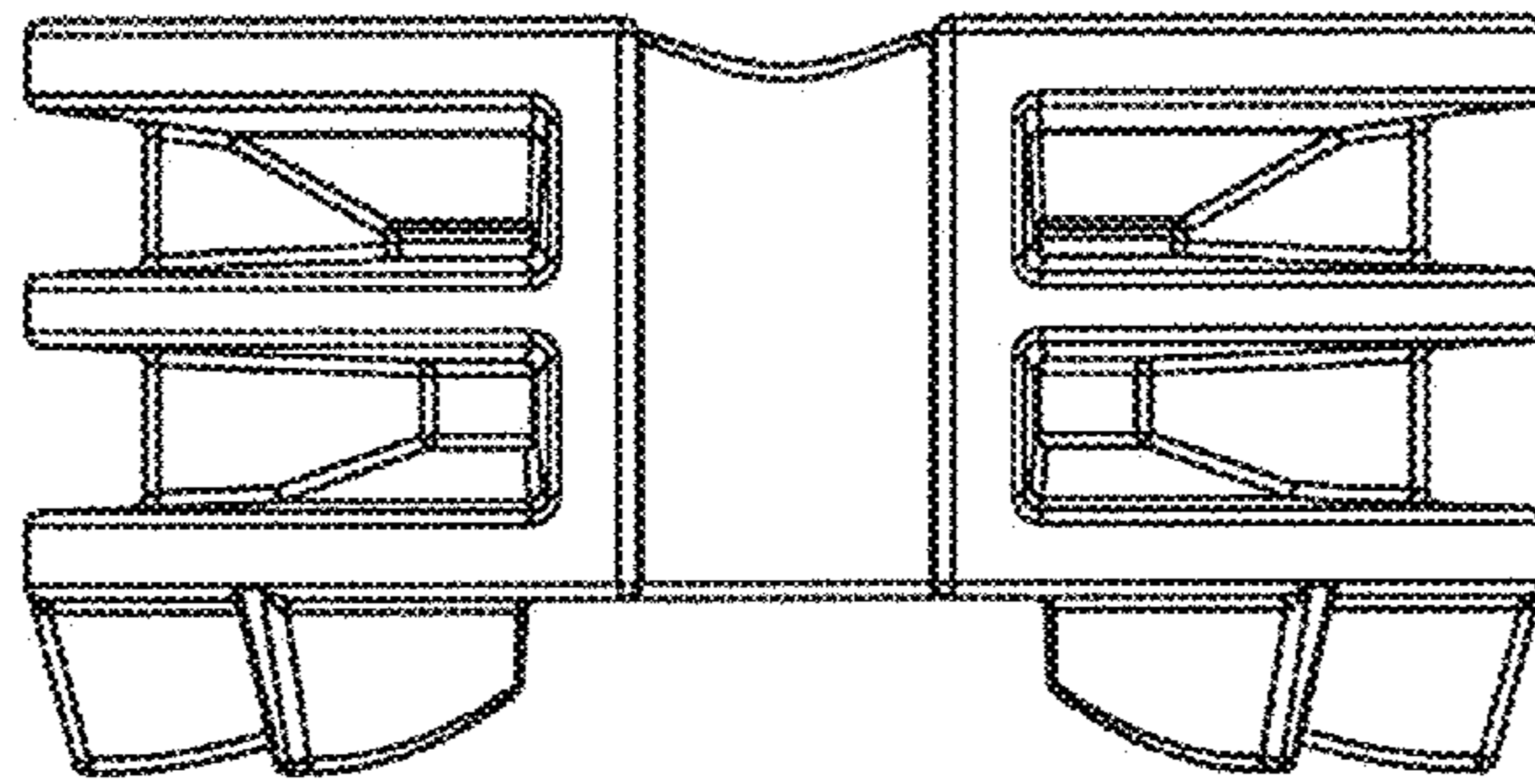


FIG. 8

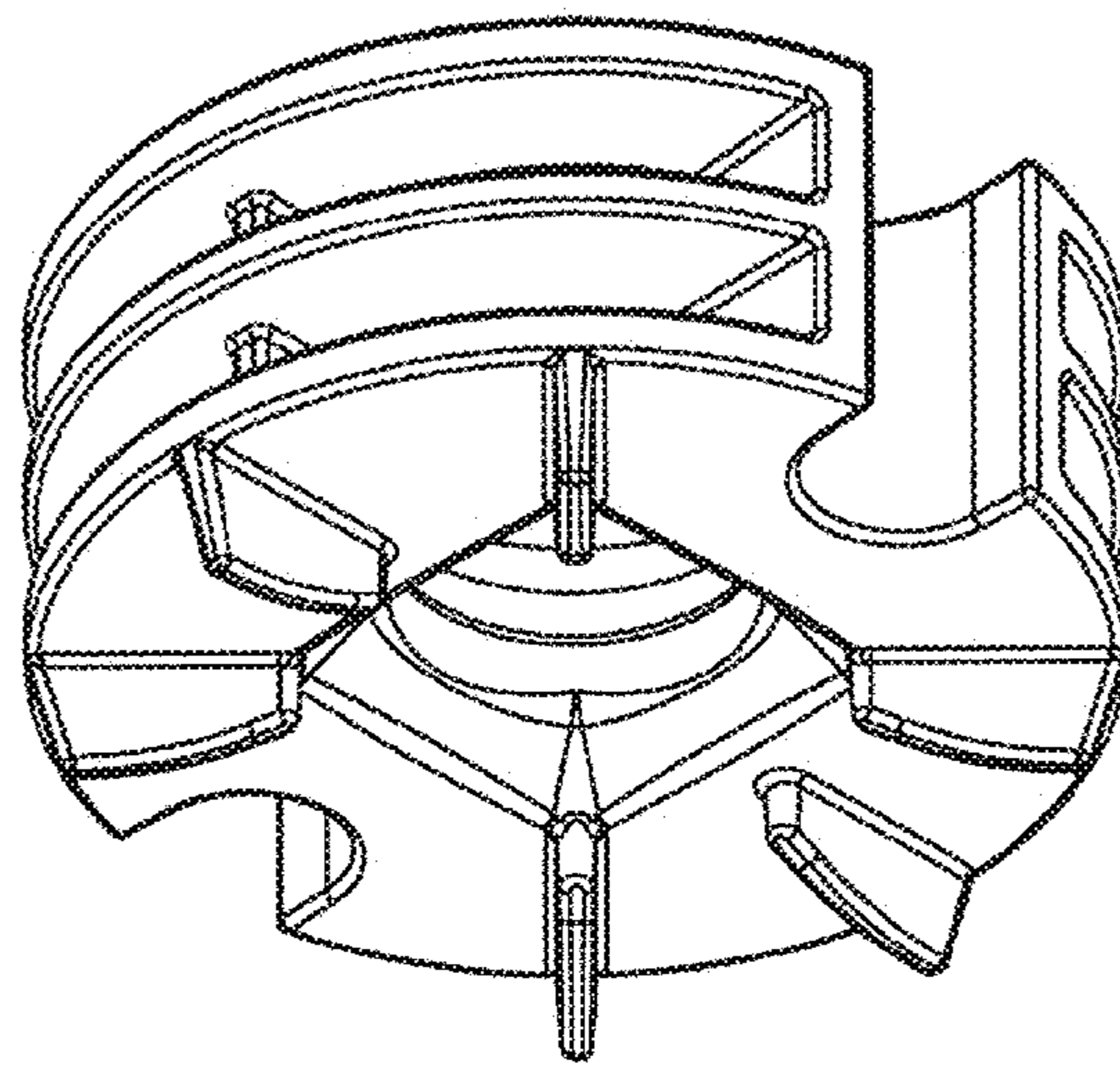


FIG. 9

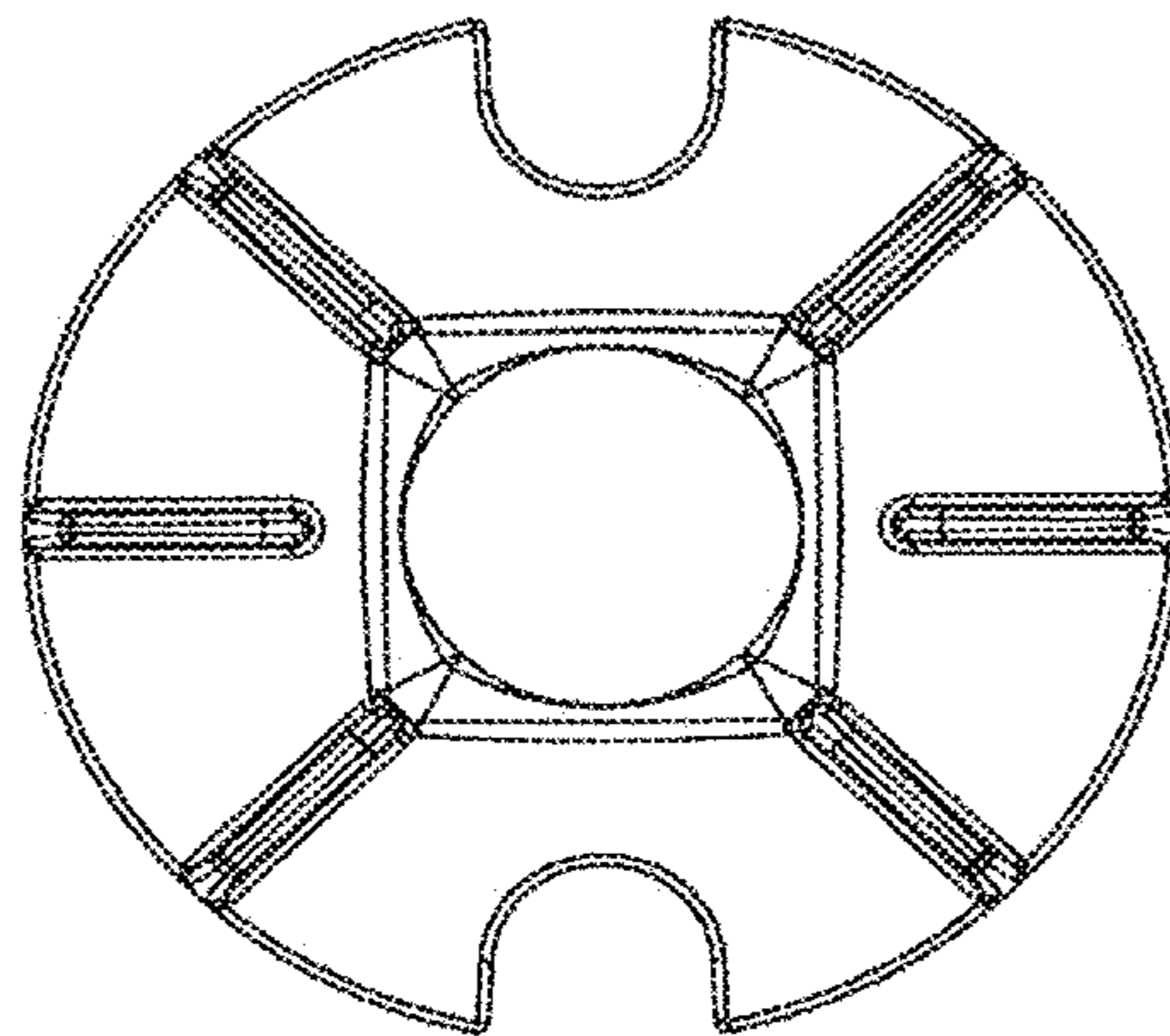


FIG. 10

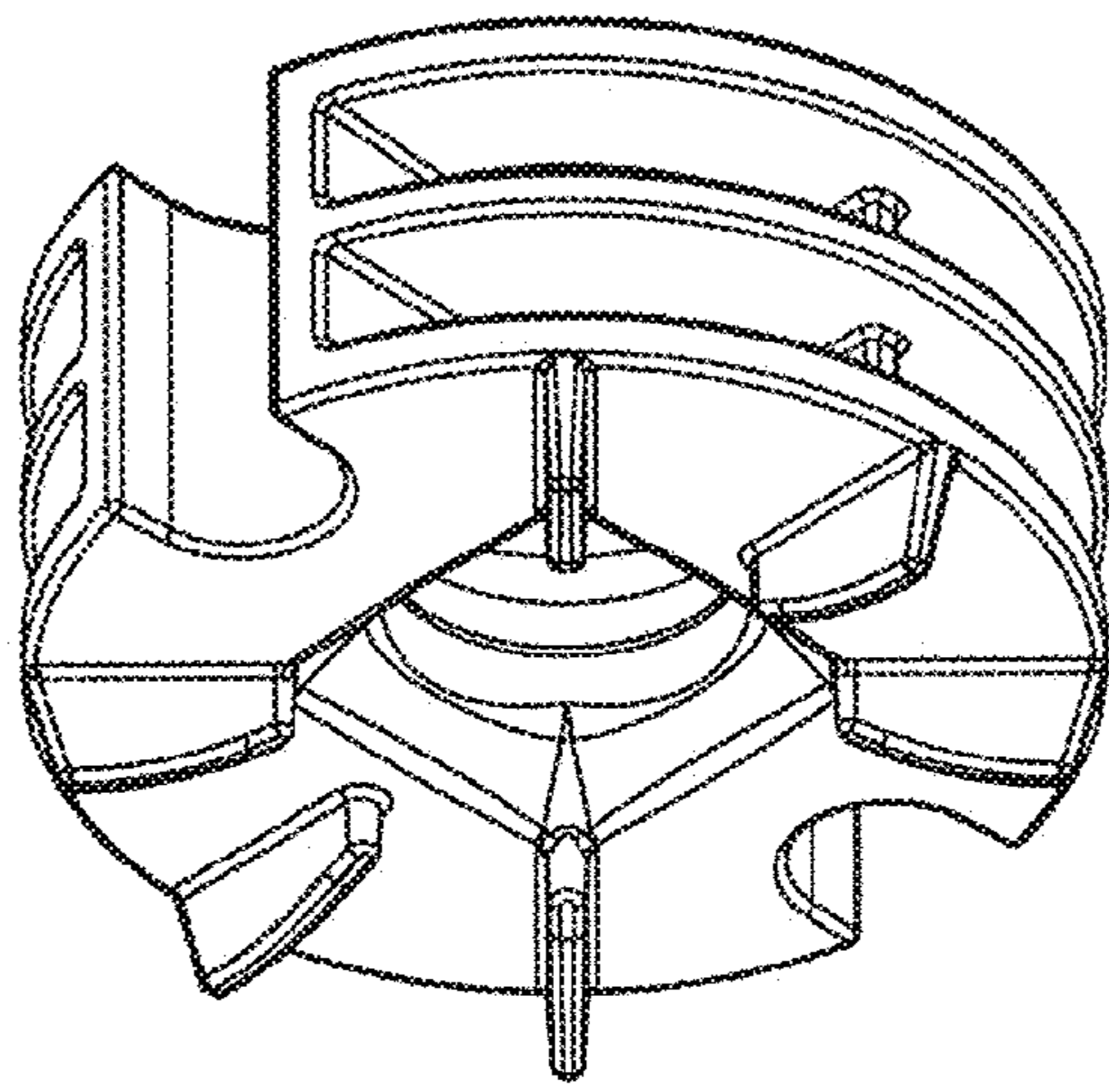


FIG. 11

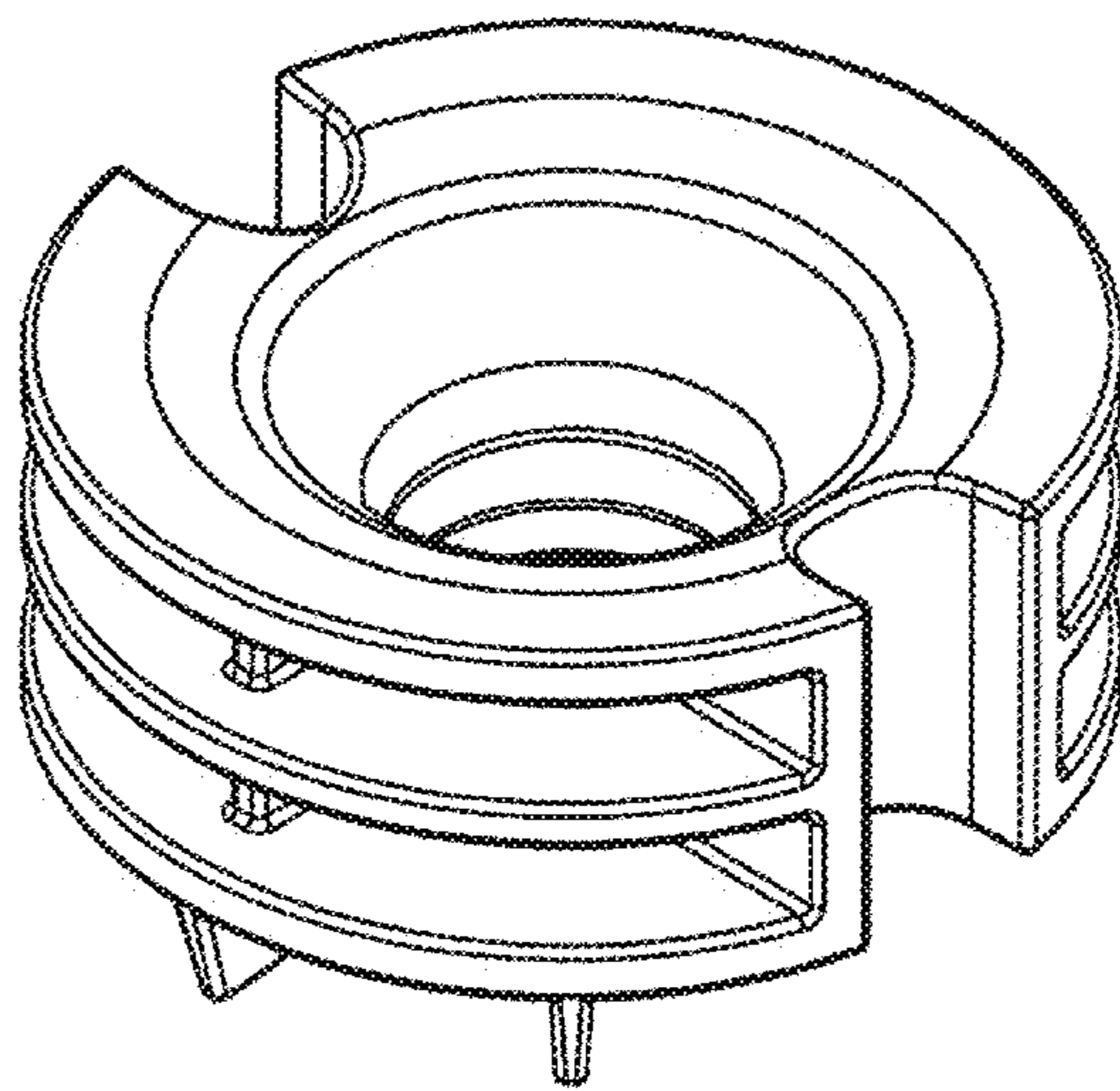


FIG. 12

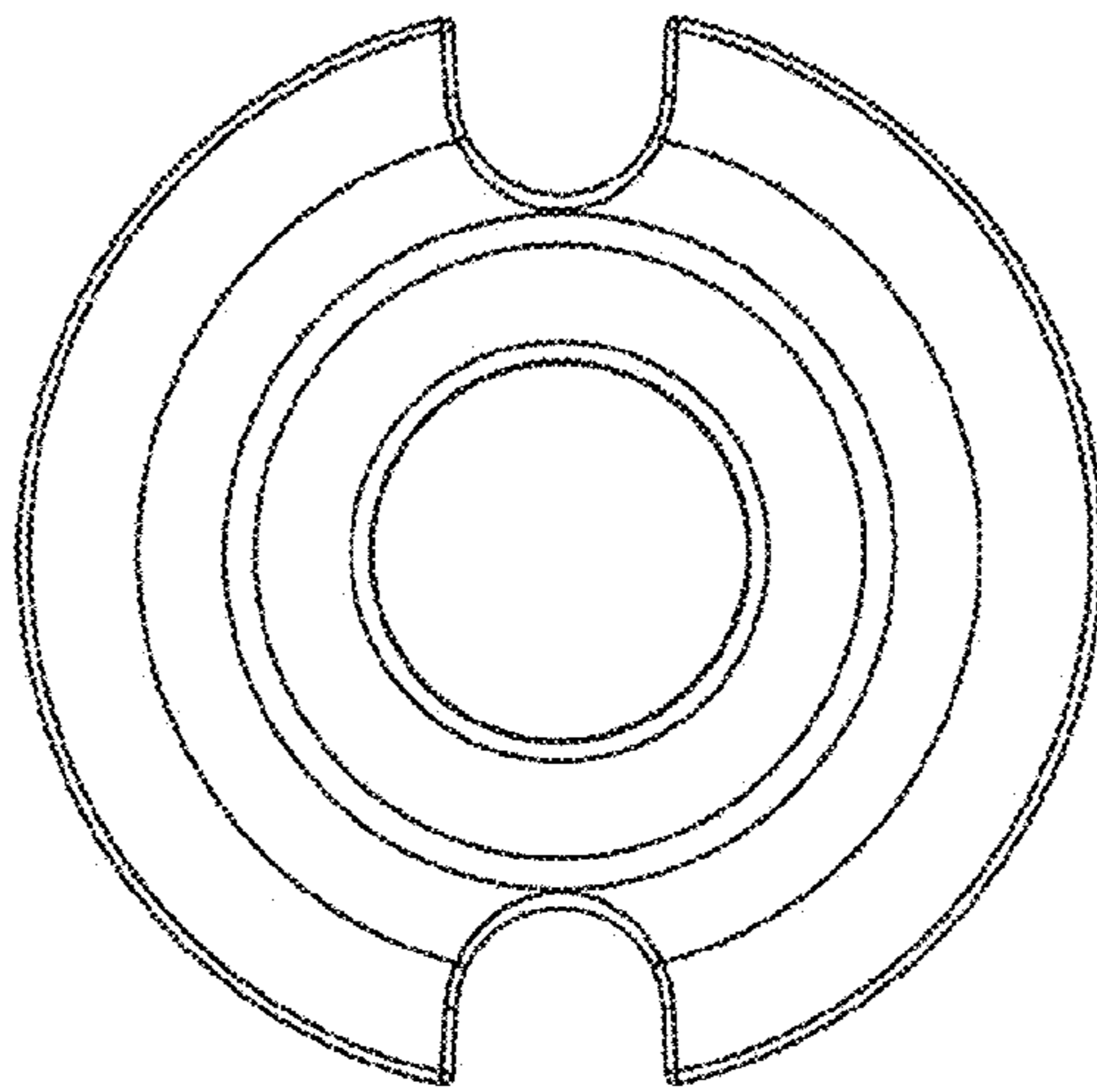


FIG. 13

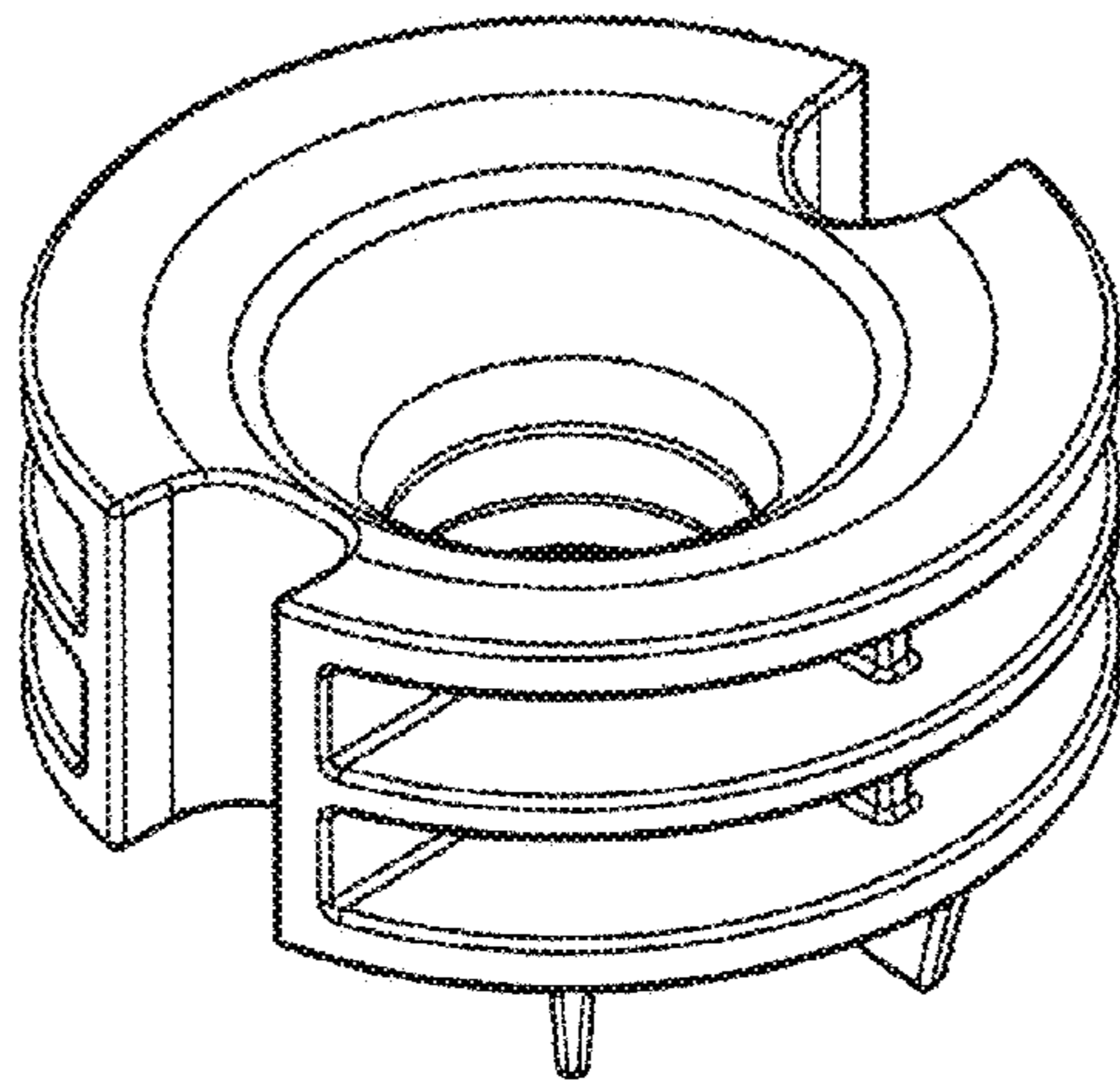


FIG. 14

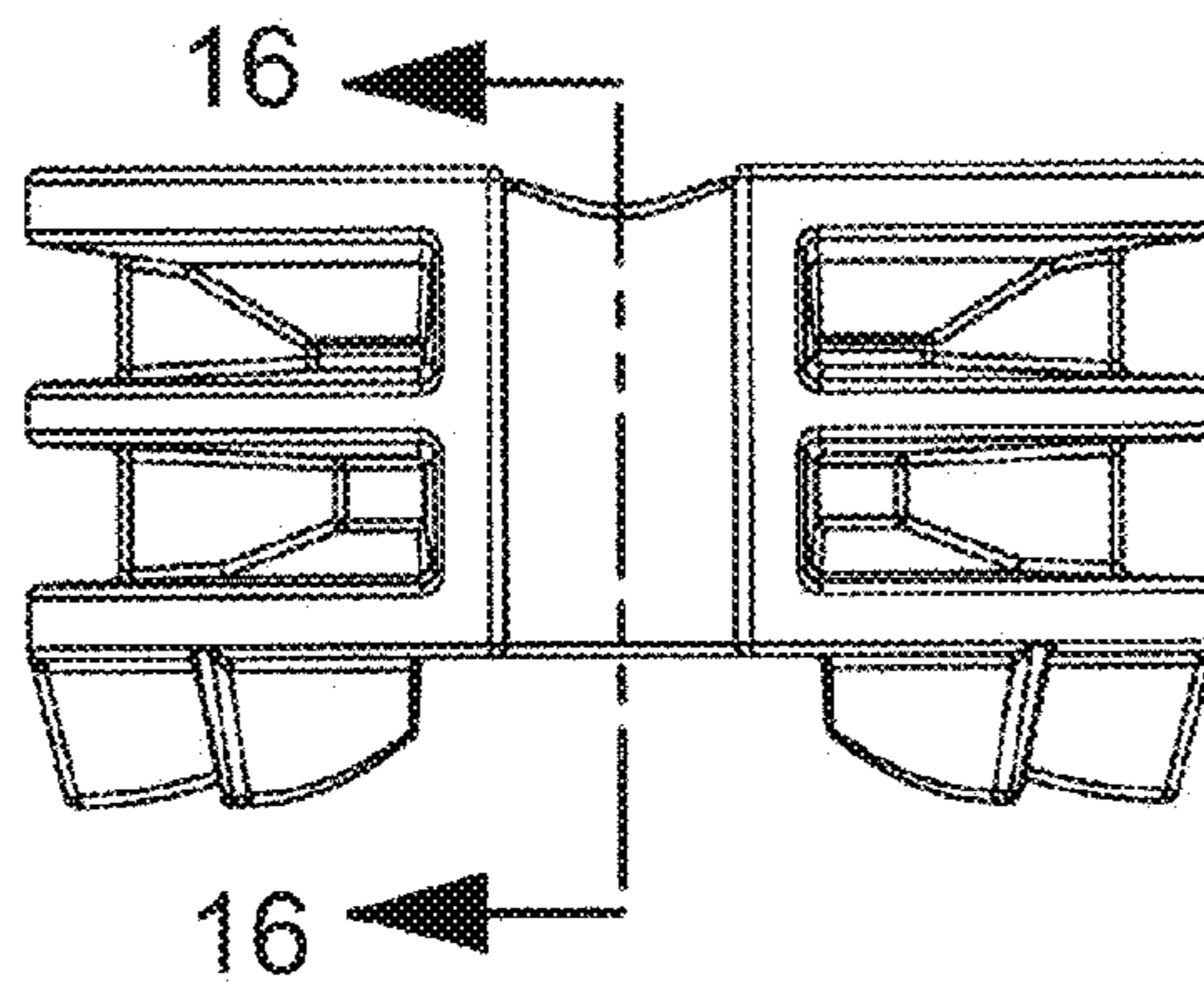


FIG. 15



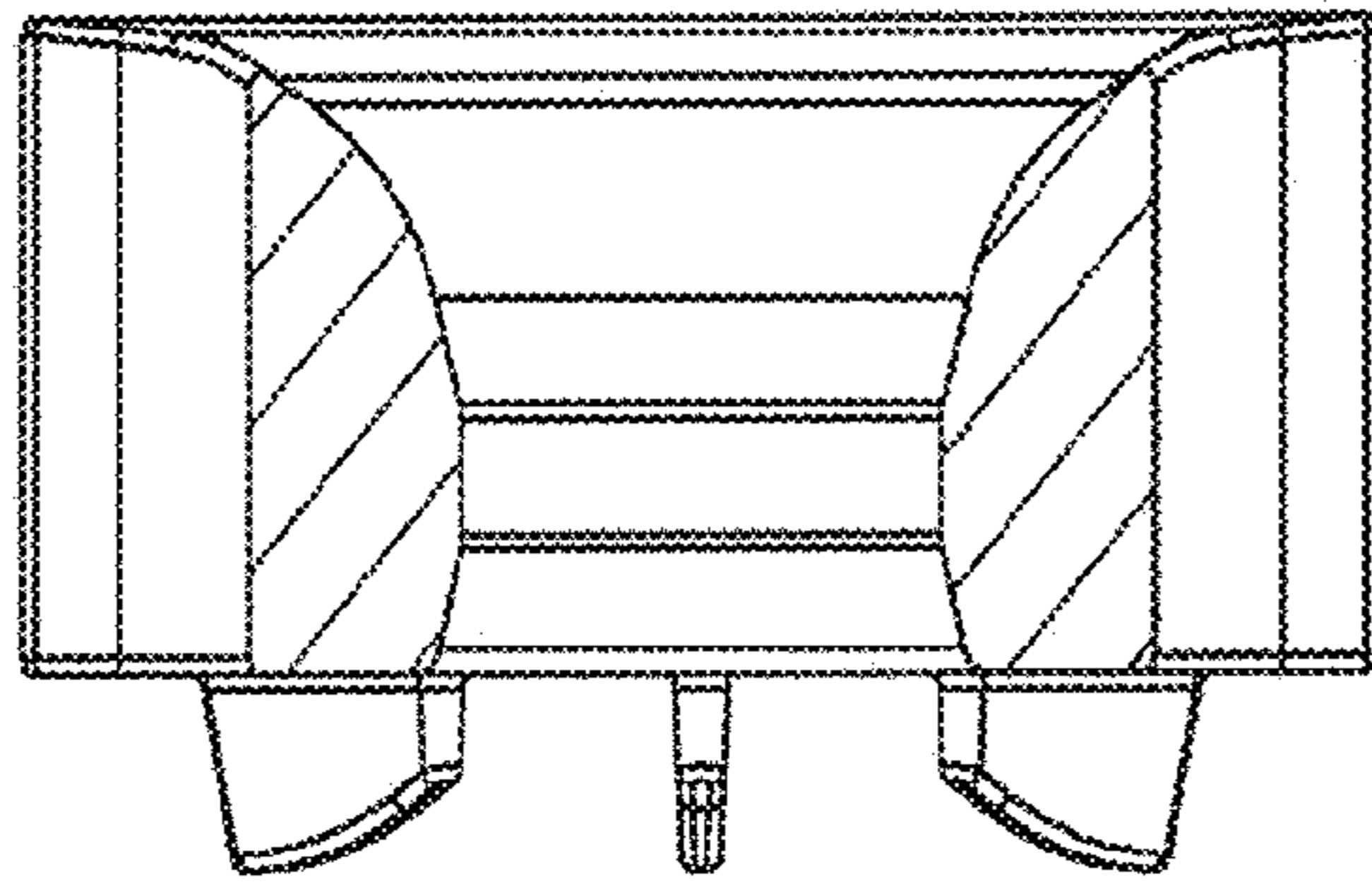


FIG. 16

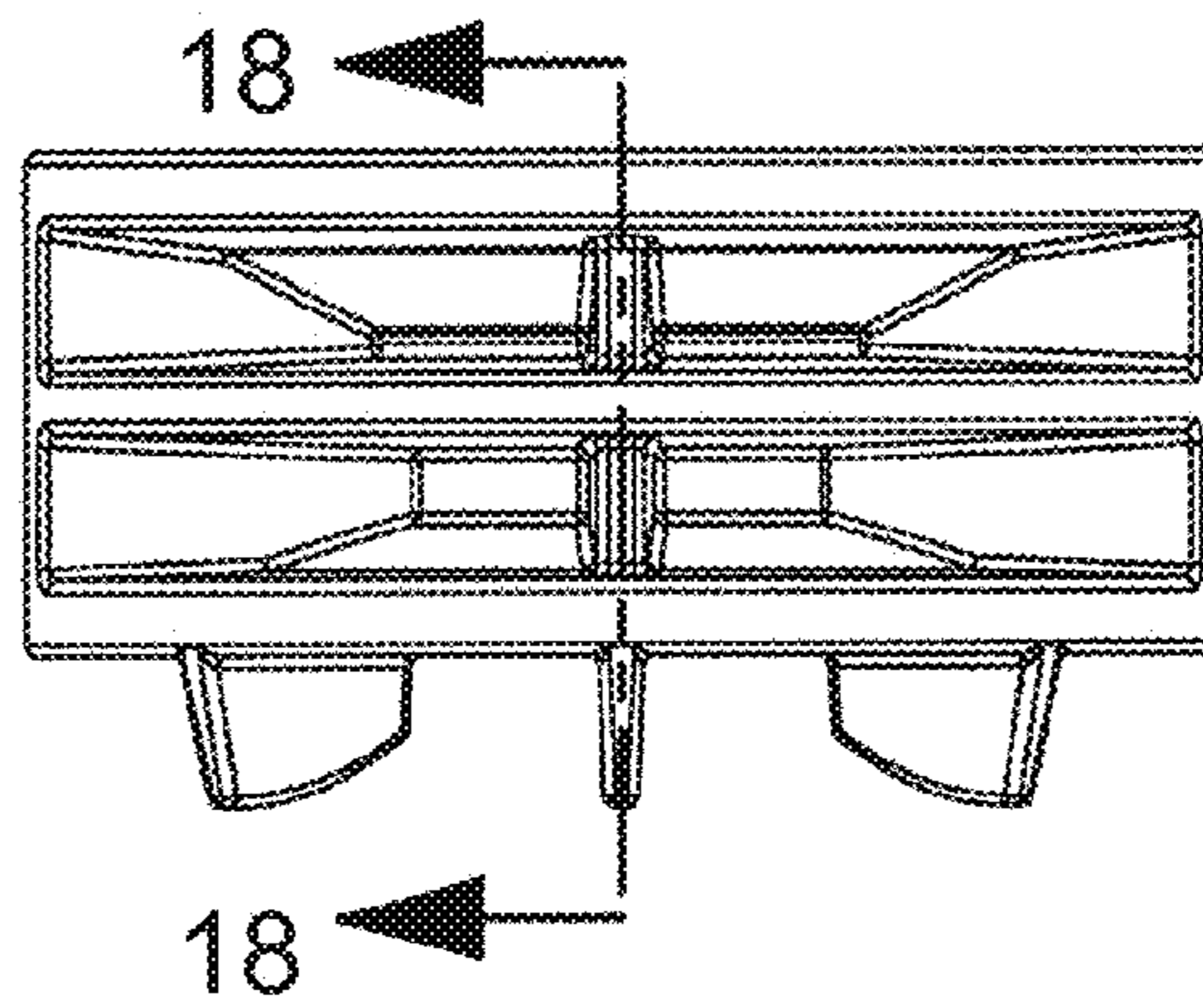


FIG. 17

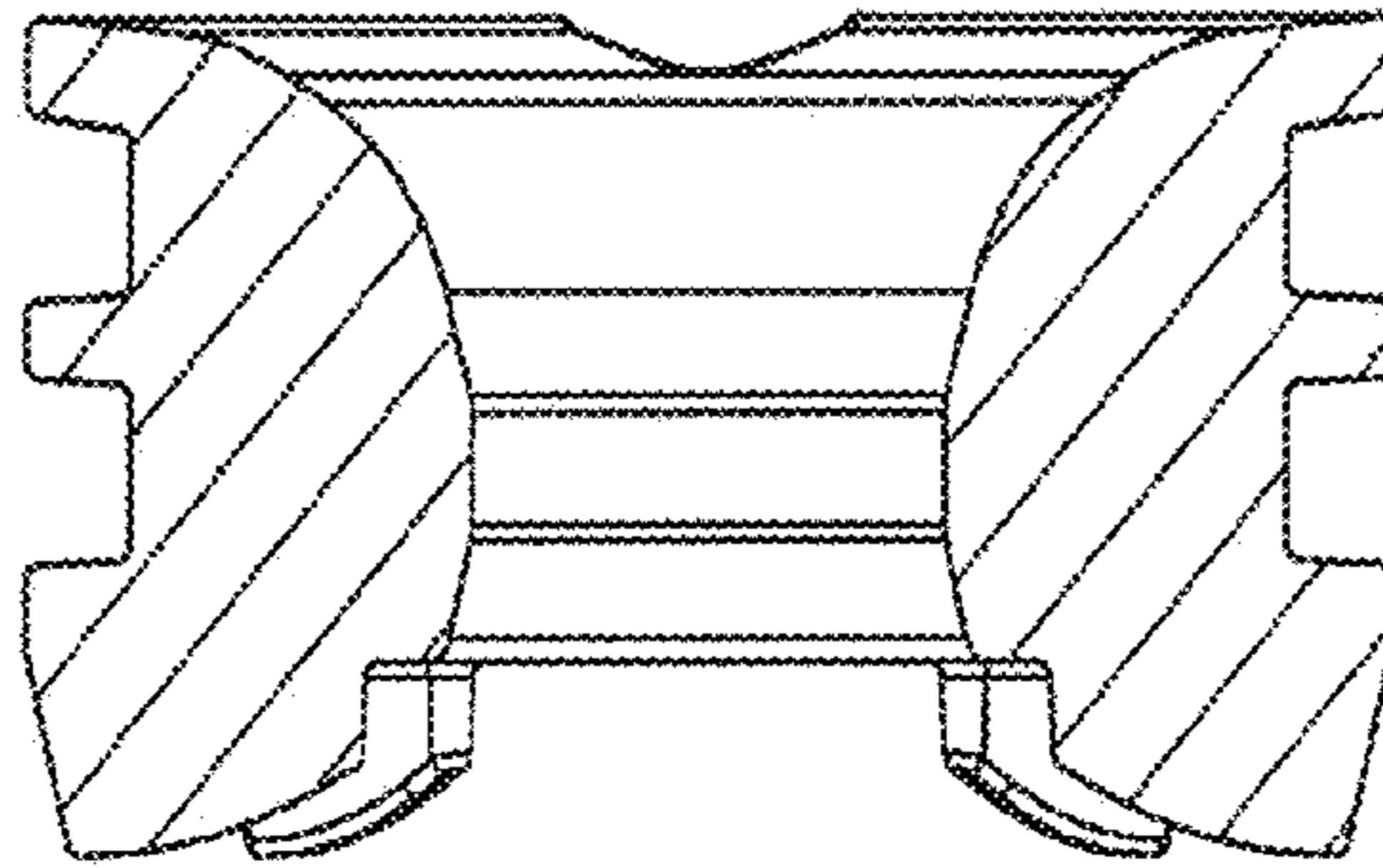


FIG. 18

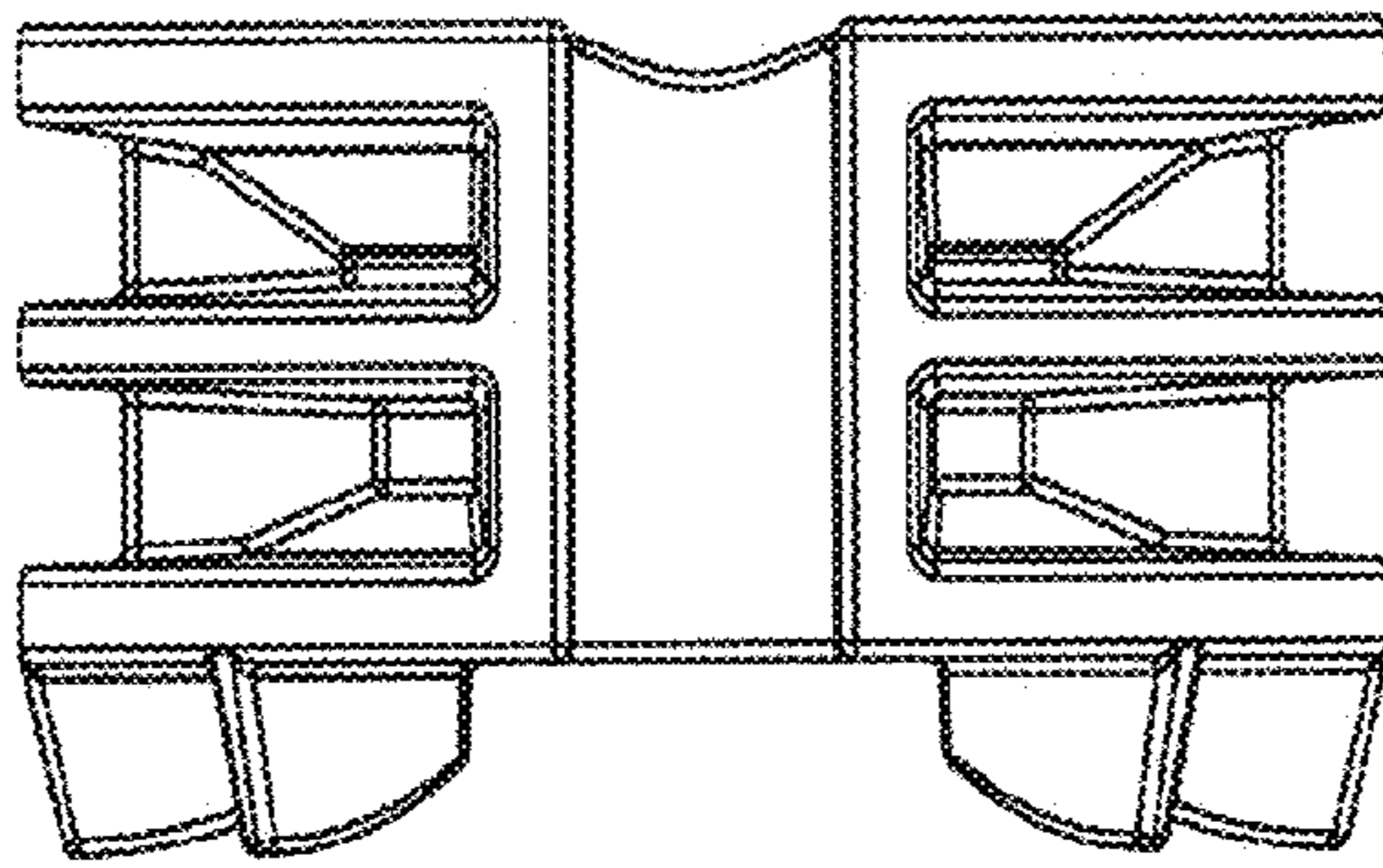


FIG. 19

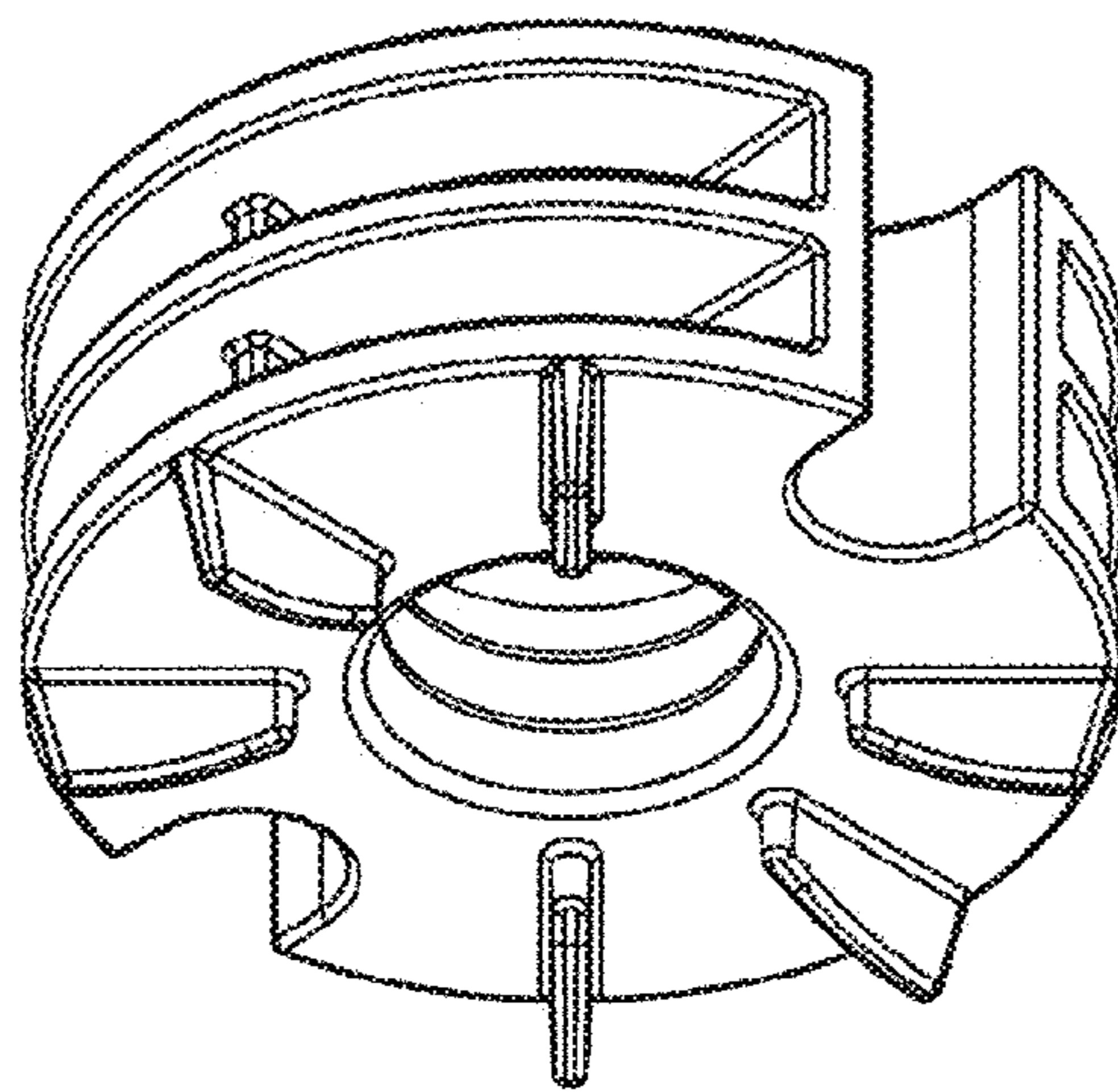


FIG. 20

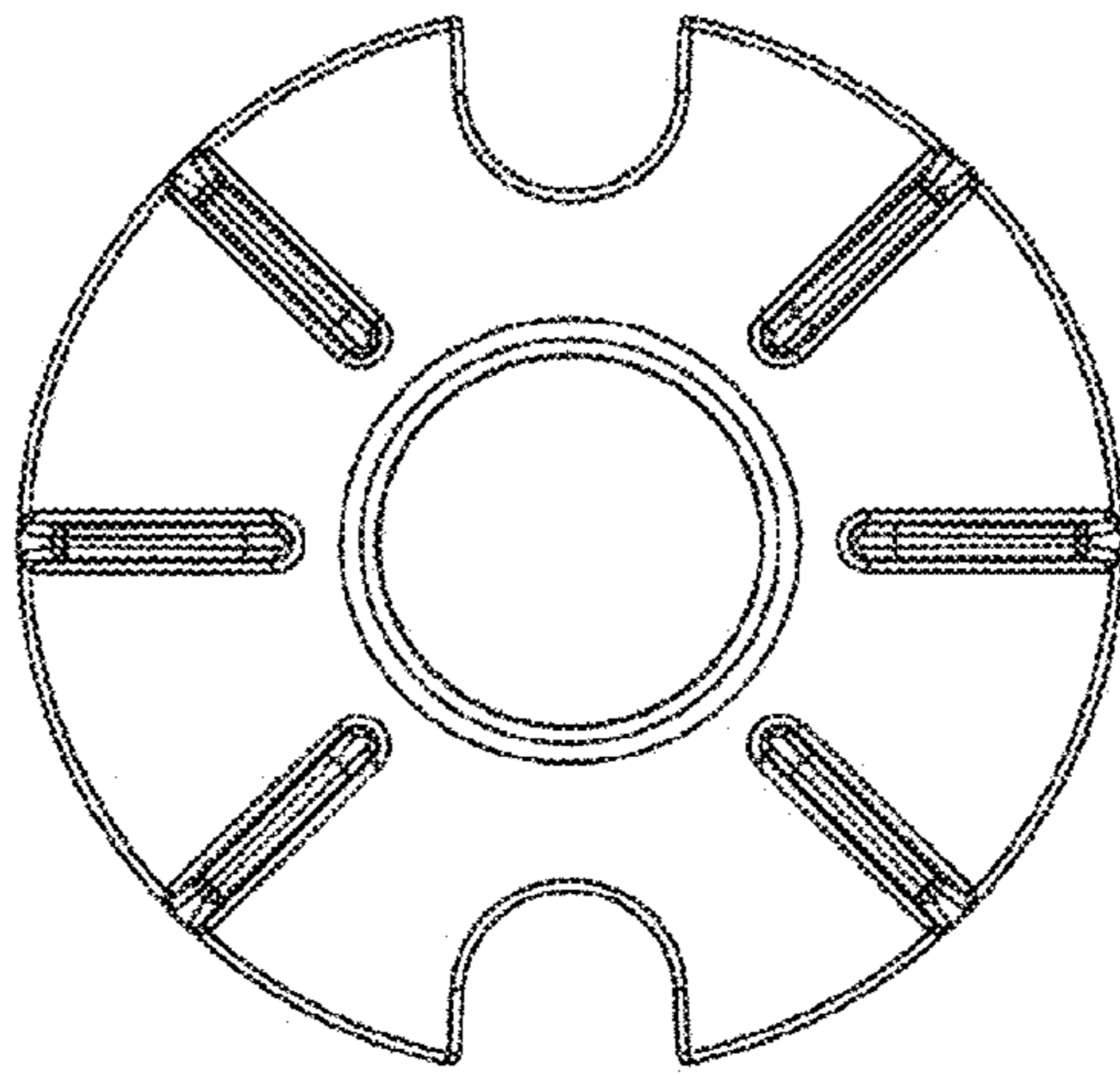


FIG. 21

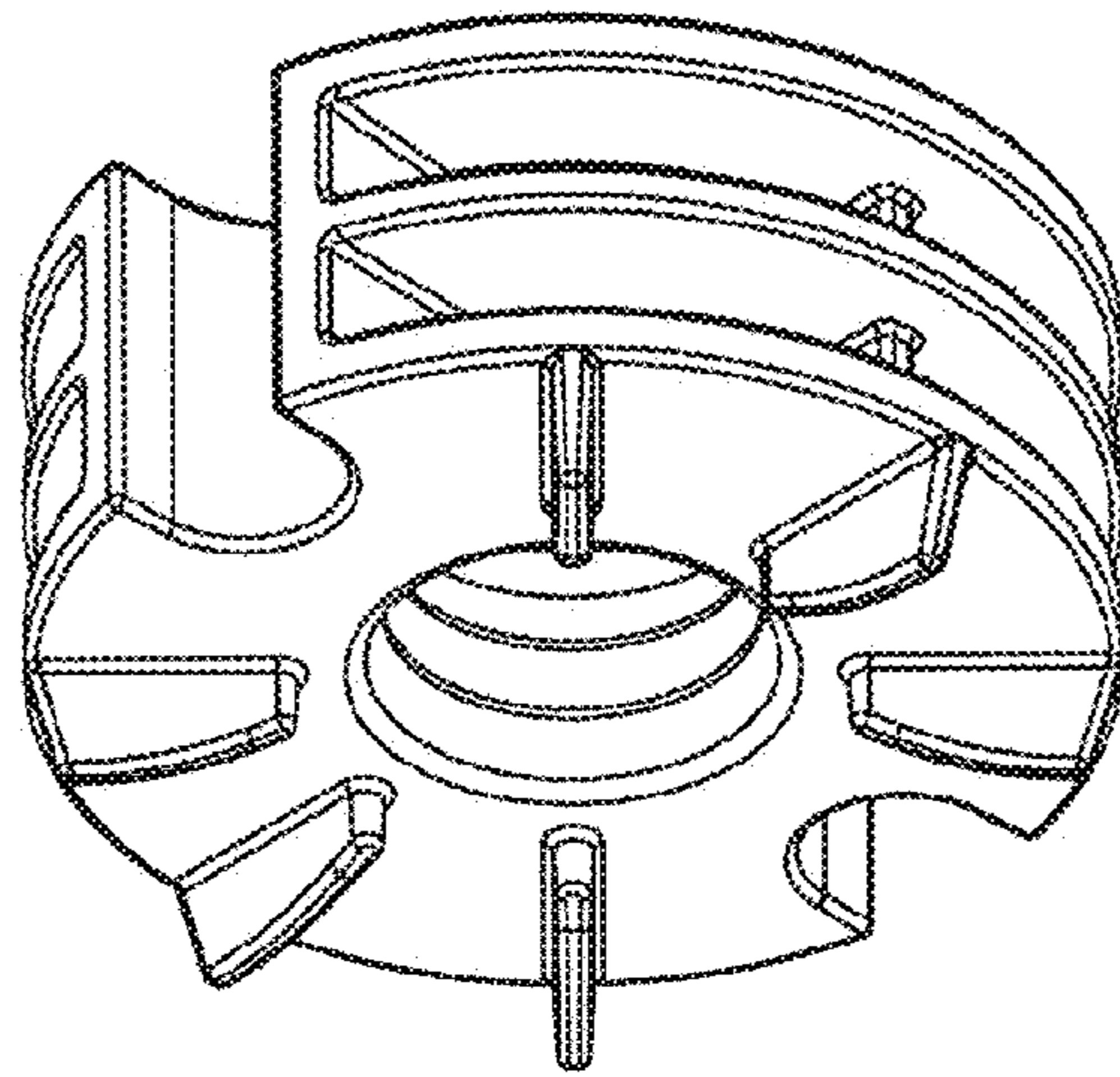


FIG. 22