



US00D743041S

(12) **United States Design Patent**  
**Hansen**

(10) **Patent No.:** **US D743,041 S**  
(45) **Date of Patent:** **\*\* Nov. 10, 2015**

(54) **POSTOPERATIVE SEAT BELT PAD**

(71) Applicant: **Doris Hjorth Hansen**, Chiaverano (IT)

(72) Inventor: **Doris Hjorth Hansen**, Chiaverano (IT)

(\*\*) Term: **14 Years**

(21) Appl. No.: **29/481,936**

(22) Filed: **Feb. 12, 2014**

(51) **LOC (10) Cl.** ..... **24-04**

(52) **U.S. Cl.**  
USPC ..... **D24/190**

(58) **Field of Classification Search**  
USPC ..... D24/189–191; D11/200; 297/482;  
D2/639; 280/801.1, 808; 2/460;  
D29/122; D3/215, 226, 231  
CPC .. B60R 22/00; B60R 2022/008; B60R 21/18;  
B60R 2022/006; A45F 3/12; A47C 7/383;  
A47C 7/425; Y10S 297/01  
See application file for complete search history.

(56) **References Cited**

**U.S. PATENT DOCUMENTS**

D302,748	S	*	8/1989	Dubeck et al.	.....	D29/122
5,016,915	A	*	5/1991	Perry	.....	297/482
D320,110	S	*	9/1991	Hawkins	.....	D2/639
5,213,366	A		5/1993	Sweger, Jr.		
D338,552	S		8/1993	Carrico et al.		
5,620,234	A	*	4/1997	Gunby	.....	297/482
6,017,094	A	*	1/2000	Syiek	.....	297/482
6,086,158	A		7/2000	Zeoli		
D432,290	S	*	10/2000	McComb	.....	D2/639
D465,324	S	*	11/2002	Matthew	.....	D3/226
6,685,069	B2	*	2/2004	Ladd	.....	224/265
D517,946	S		3/2006	Berke et al.		
D518,412	S		4/2006	Berke et al.		
D518,413	S		4/2006	Berke et al.		
D518,756	S		4/2006	Berke et al.		
D519,403	S		4/2006	Berke et al.		
D519,404	S		4/2006	Berke et al.		
D519,405	S		4/2006	Berke et al.		
D549,496	S	*	8/2007	Stringfellow	.....	D6/501
7,318,606	B1		1/2008	Berke		

D562,727	S	*	2/2008	Berke et al.	.....	D11/200
D616,790	S	*	6/2010	Mear	.....	D11/200
D636,211	S	*	4/2011	Kolander et al.	.....	D6/601
D637,434	S	*	5/2011	Lovinger et al.	.....	D6/601
D656,234	S	*	3/2012	Keeney et al.	.....	D24/190
2003/0052528	A1	*	3/2003	Huggins	.....	297/482

\* cited by examiner

*Primary Examiner* — Geroge D Kirschbaum

*Assistant Examiner* — Jennifer Watkins

(74) *Attorney, Agent, or Firm* — Popovich, Wiles & O'Connell, P.A.

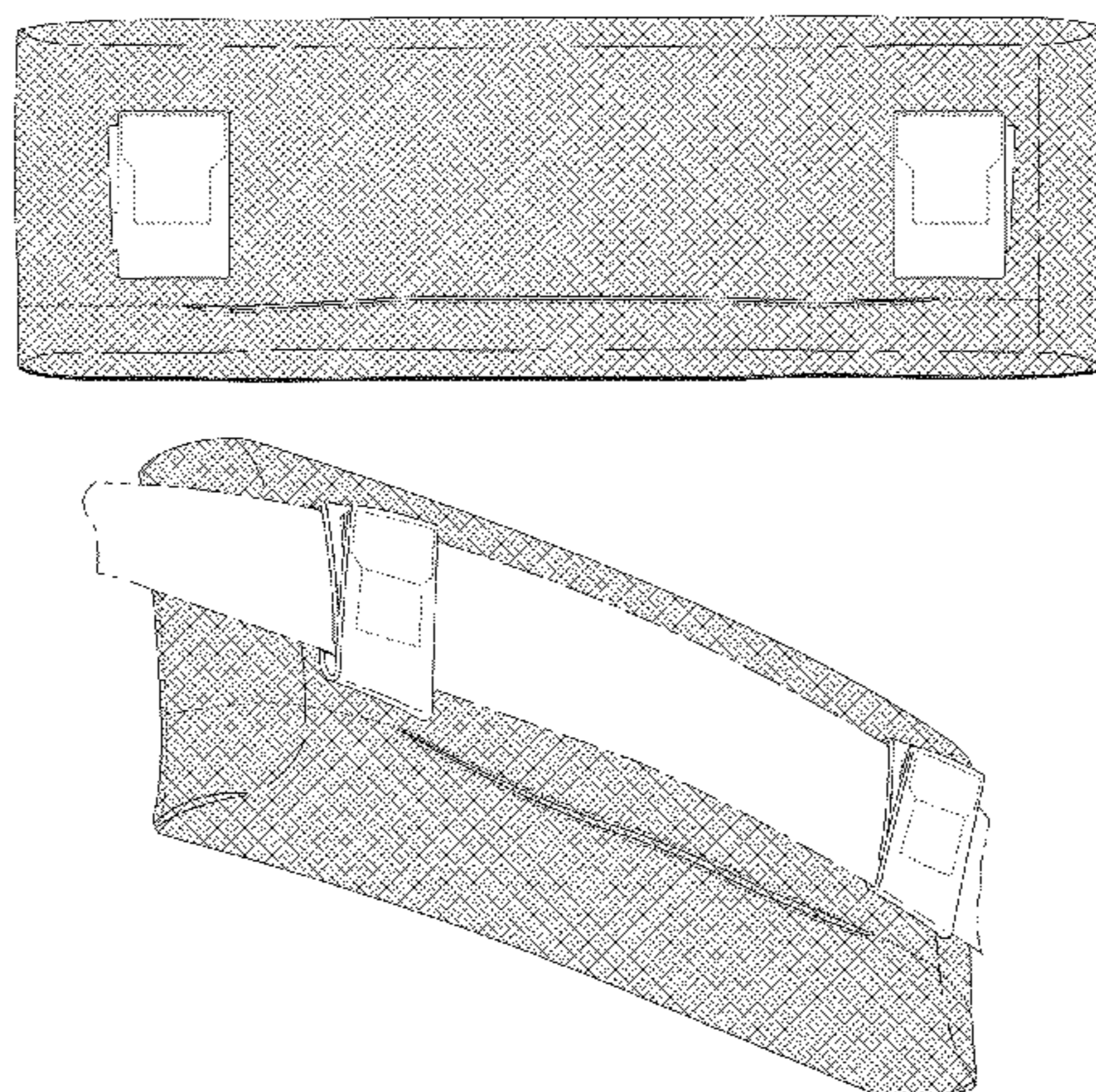
(57) **CLAIM**

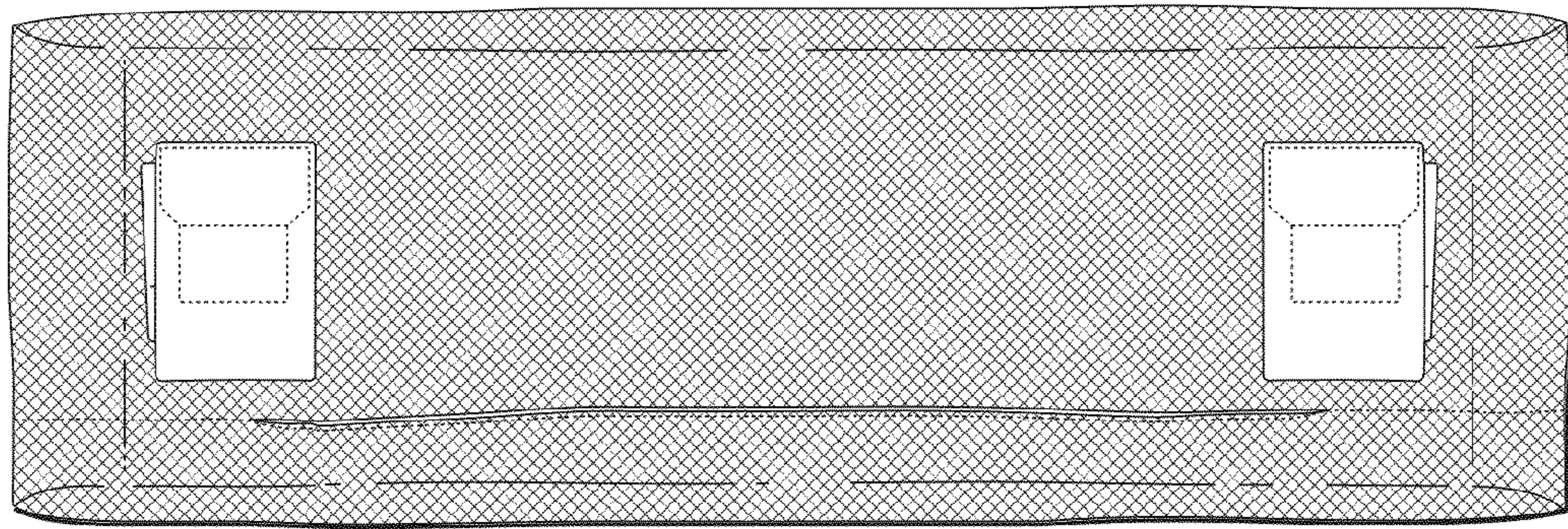
The ornamental design for a postoperative seat belt pad, as shown and described.

**DESCRIPTION**

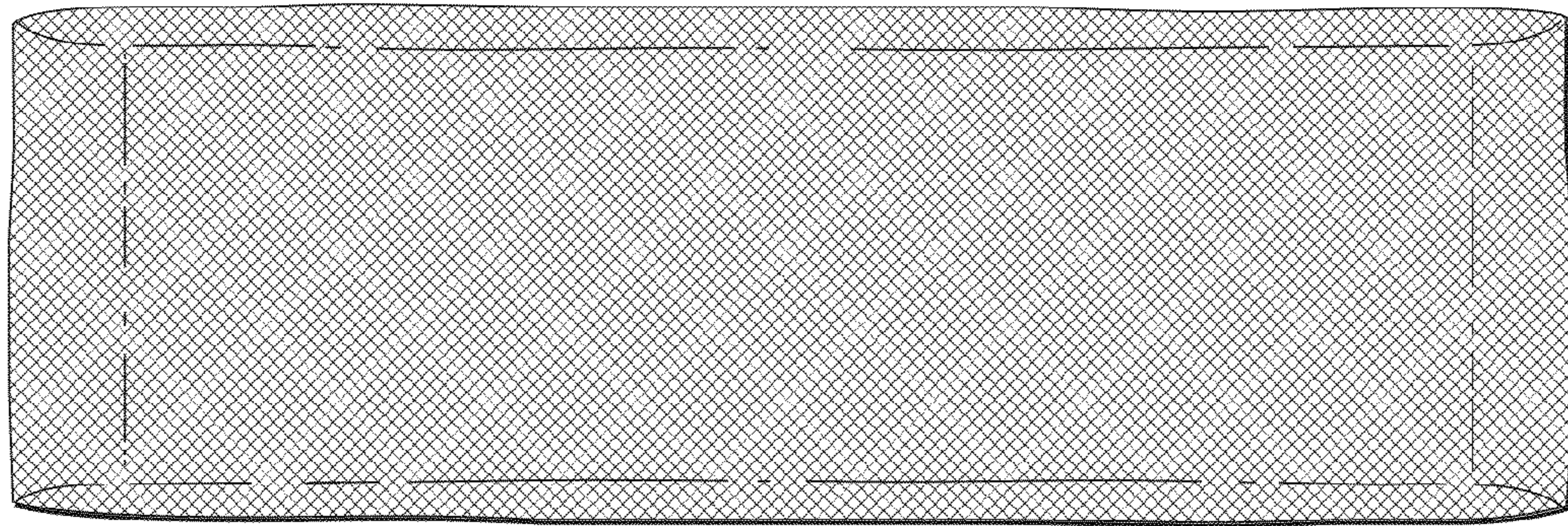
FIG. 1 is a top plan view of a front of a postoperative seat belt pad shown with connection fasteners closed;  
 FIG. 2 is a bottom plan view of a rear of the postoperative seat belt pad of FIG. 1;  
 FIG. 3 is a side elevational view of a first side of the postoperative seat belt pad of FIG. 1;  
 FIG. 4 is a side elevational view of a second side of the postoperative seat belt pad of FIG. 1;  
 FIG. 5 is an end elevational view of a first end of the postoperative seat belt pad of FIG. 1;  
 FIG. 6 is an end elevational view of a second end of the postoperative seat belt pad of FIG. 1;  
 FIG. 7 is a perspective view of the front, first side and second end of the postoperative seat belt pad with the connection fasteners open;  
 FIG. 8 is a perspective view of the front, first side and second end of the postoperative seat belt pad with the connection fasteners closed; and,  
 FIG. 9 is a perspective view of the front, first side and first end of the postoperative seat belt pad attached to a seat belt by the closed connection fasteners.  
 The broken lines on the postoperative seat belt pad represent portions of the article that form no part of the claimed design. The unevenly dashed line in FIG. 9 is for the purpose of illustrating a seat belt and forms no part of the claim.

**1 Claim, 5 Drawing Sheets**

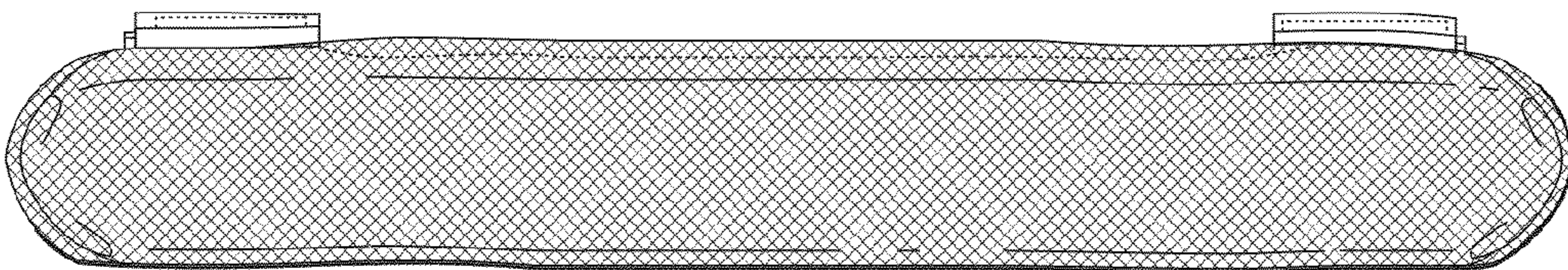




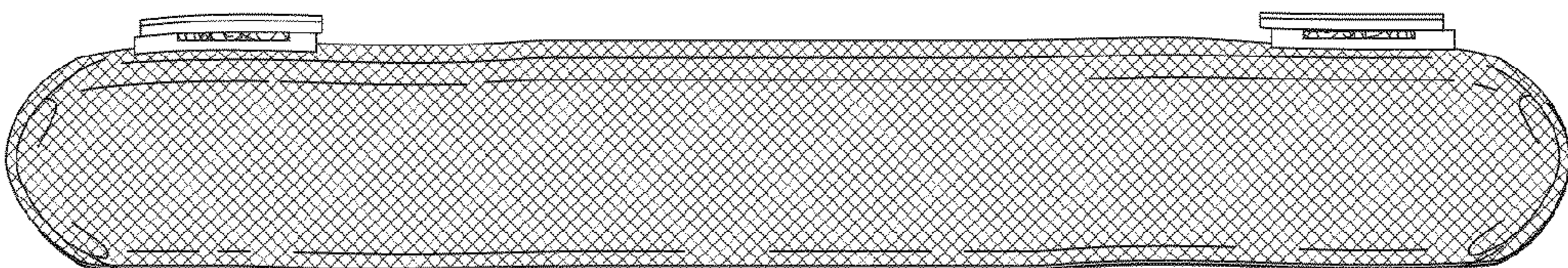
*Fig. 1*



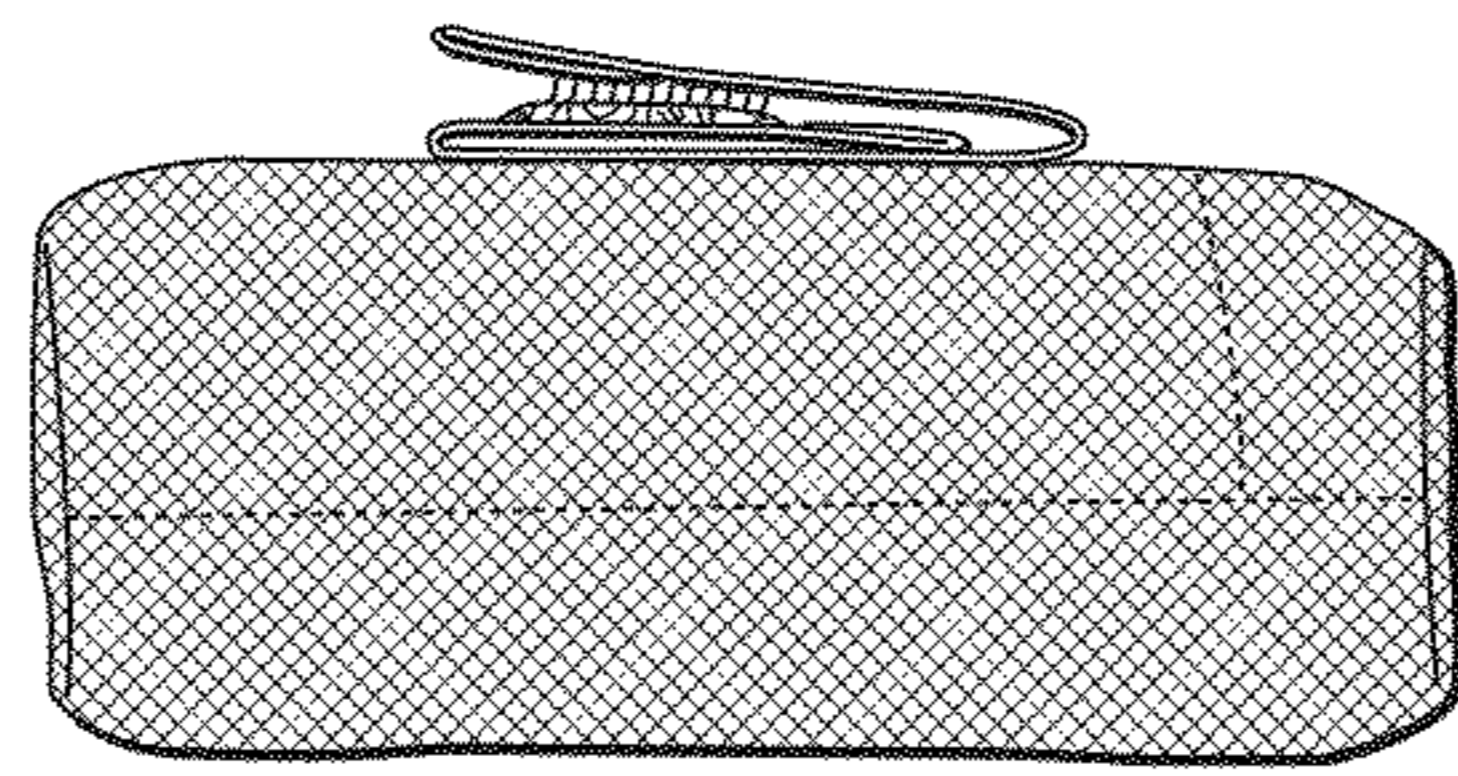
*Fig. 2*



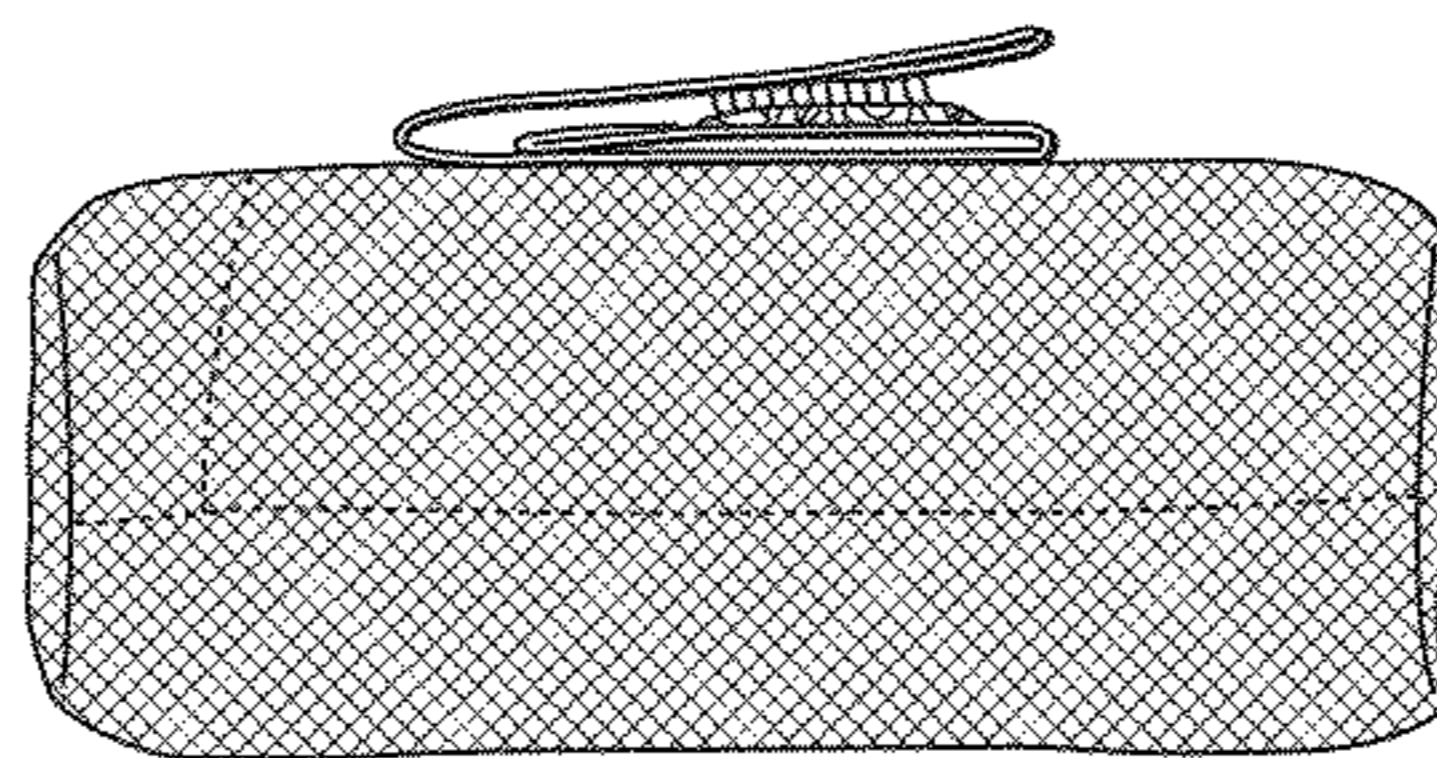
*Fig. 3*



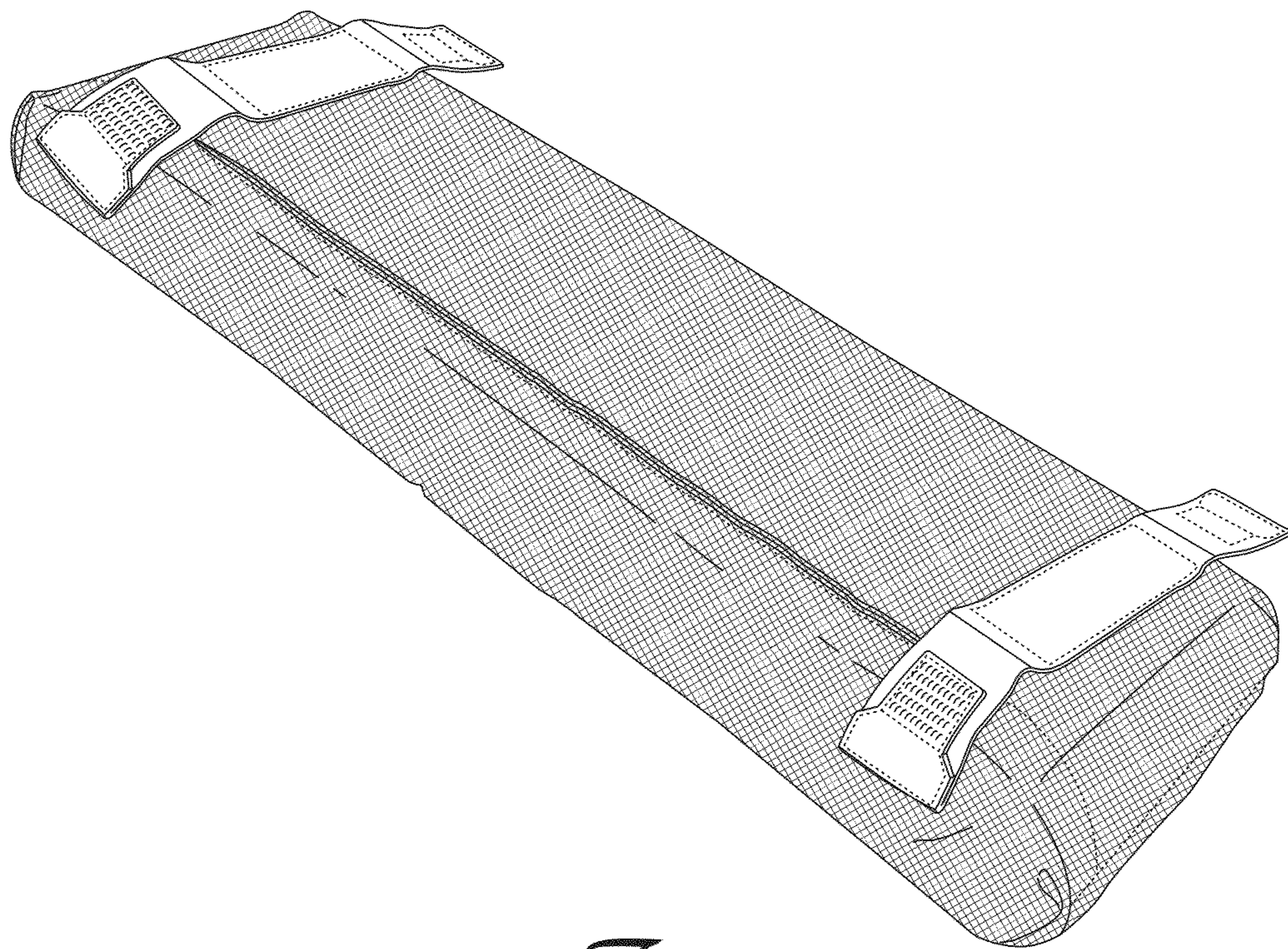
*Fig. 4*



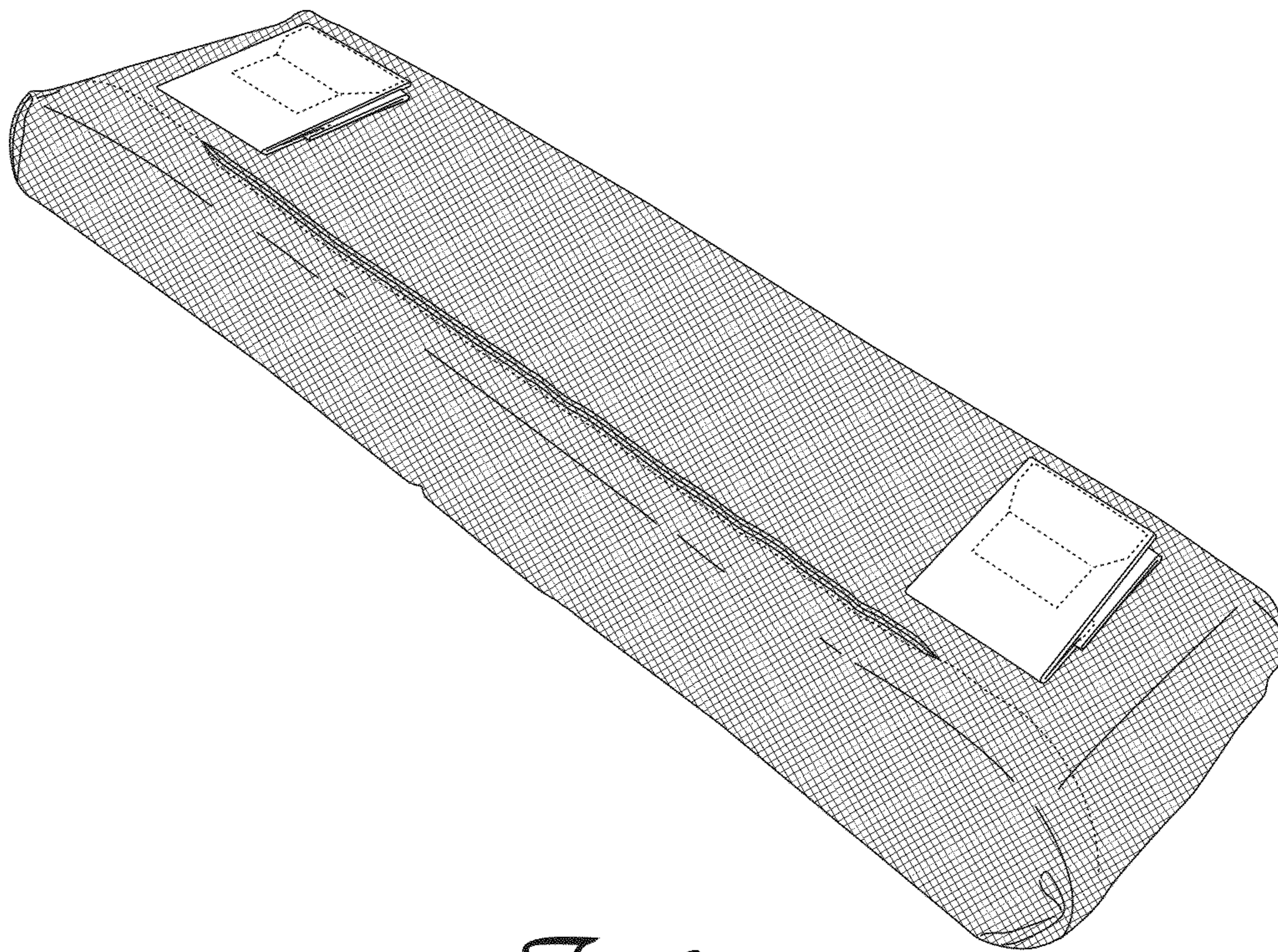
*Fig. 5*



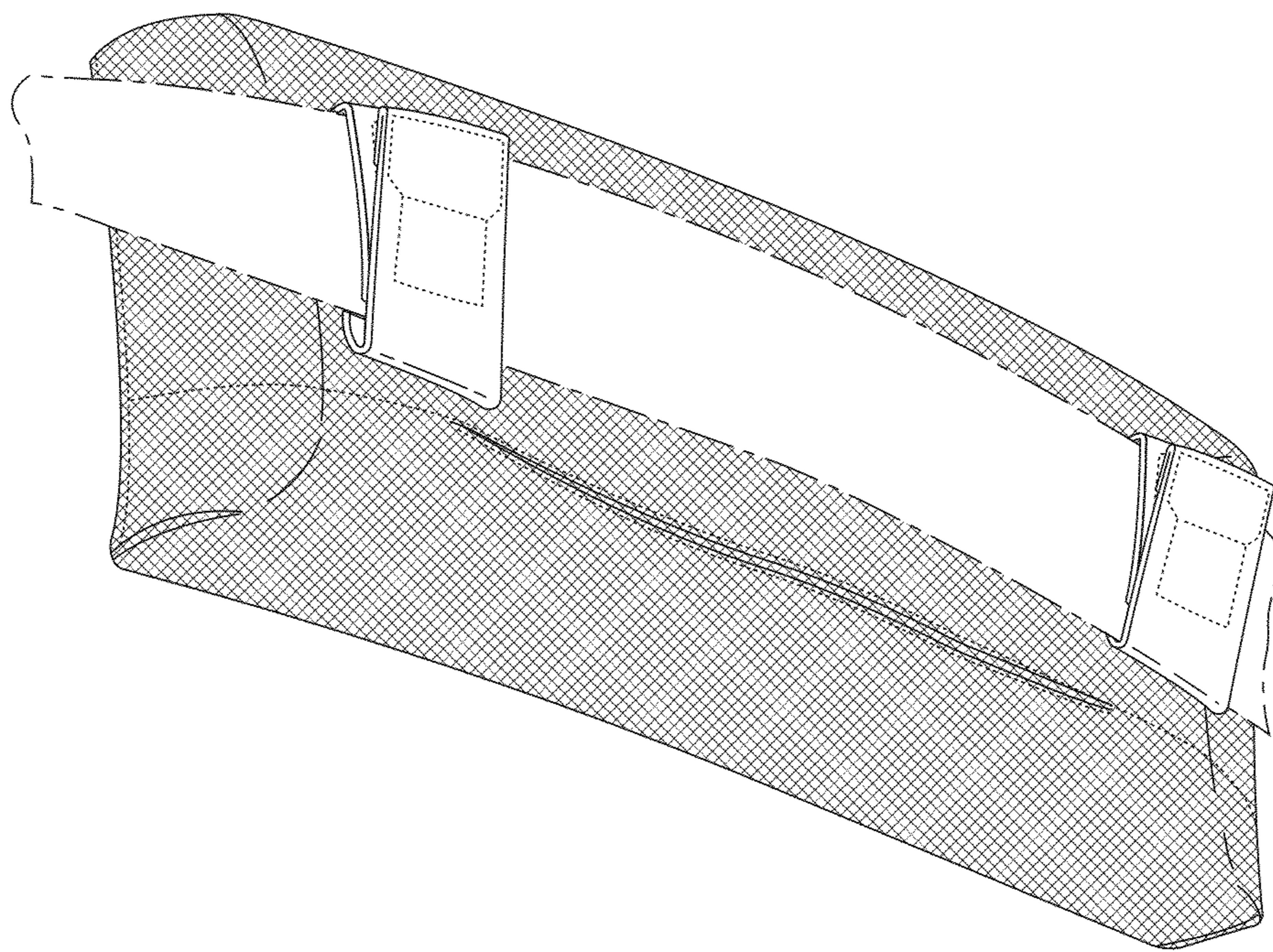
*Fig. 6*



*Fig. 7*



*Fig. 8*



*Fig. 9*