



US00D743040S

(12) **United States Design Patent**
Corbett, III et al.

(10) **Patent No.:** **US D743,040 S**
(45) **Date of Patent:** **** Nov. 10, 2015**

(54) **WEARABLE ULTRASOUND PROBE**

(71) Applicant: **Sonivate Medical, Inc.**, Beaverton, OR
(US)

(72) Inventors: **Scott Sutherland Corbett, III**, Portland,
OR (US); **William McDonough**,
Portland, OR (US)

(73) Assignee: **Sonivate Medical, Inc.**, Beaverton, OR
(US)

(**) Term: **14 Years**

(21) Appl. No.: **29/484,601**

(22) Filed: **Mar. 11, 2014**

(51) **LOC (10) Cl.** **24-01**

(52) **U.S. Cl.**
USPC **D24/187**

(58) **Field of Classification Search**
USPC D24/107, 133, 160, 170, 186–187, 200,
D24/158; D10/78; 600/407, 437–440,
600/442–443, 448–449, 453, 458–459, 452,
600/503, 587, 444, 342, 362; 361/232;
601/2; 324/157

CPC A61N 7/00; A61B 19/5244; A61B 8/00;
A61B 8/485; A61B 8/12; A61B 8/0825;
A61B 8/0875; A61B 8/06; A61B 8/481;
A61B 5/02438; A61B 5/4528; A61B 5/1459;
G01S 7/52074; G01S 7/52036; G01S 15/8993
See application file for complete search history.

(56) **References Cited**

U.S. PATENT DOCUMENTS

4,242,715 A * 12/1980 Laird 361/232
4,450,843 A * 5/1984 Barney et al. 600/503

5,088,500 A *	2/1992	Wedel et al.	600/452
5,423,332 A *	6/1995	Zirps et al.	600/587
5,598,846 A *	2/1997	Peszynski	600/444
5,752,517 A *	5/1998	Harman et al.	600/437
5,986,446 A *	11/1999	Williamson	324/157
D459,478 S *	6/2002	Perricone	D24/200
6,461,305 B1 *	10/2002	Schnall	600/342
6,746,402 B2 *	6/2004	Ustuner	600/462
D562,985 S *	2/2008	Brefka et al.	D24/186
D639,434 S *	6/2011	Wodecki et al.	D24/160
D676,562 S *	2/2013	Marzynski	D24/186
2004/0225217 A1 *	11/2004	Voegele et al.	600/439
2004/0267133 A1 *	12/2004	Podany	600/459
2005/0085731 A1 *	4/2005	Miller et al.	600/459
2008/0306387 A1 *	12/2008	Schutz et al.	600/459

* cited by examiner

Primary Examiner — T. Chase Nelson

Assistant Examiner — Mark Cavanna

(74) *Attorney, Agent, or Firm* — Schwabe, Williamson &
Wyatt, P.C.

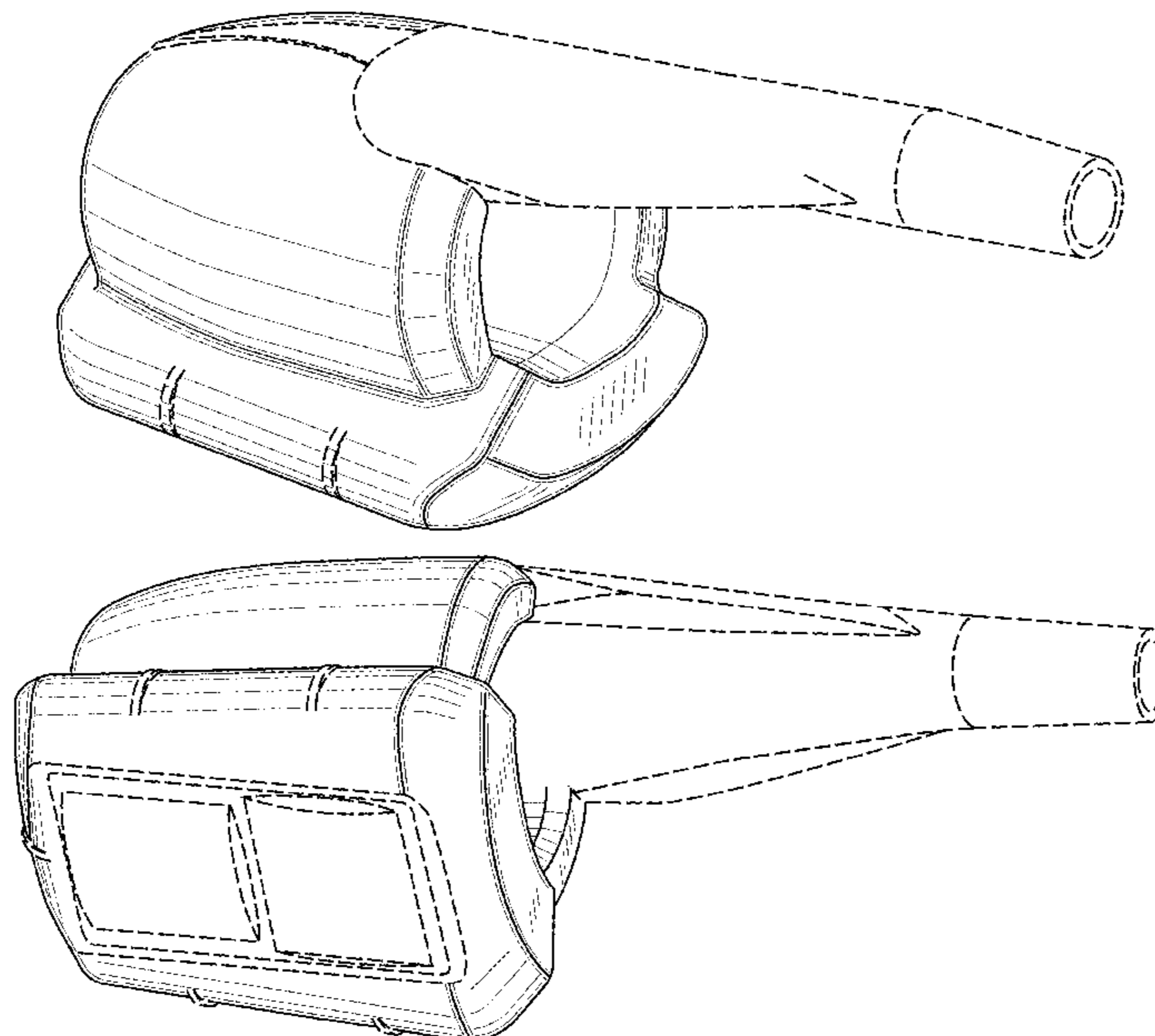
(57) **CLAIM**

The ornamental design for wearable ultrasound probe, as
shown and described.

DESCRIPTION

FIG. 1 is a rear, isometric view of the probe.
FIG. 2 is a bottom, isometric view of the probe.
FIG. 3 is a side, plan view thereof, the left side view being a
mirror image of FIG. 3.
FIG. 4 is a top, plan view thereof.
FIG. 5 is a bottom, plan view thereof.
FIG. 6 is a front, isometric view; and,
FIG. 7 is a rear, isometric view thereof.
The broken lines are included for the purpose of illustrating
unclaimed portions of the wearable ultrasound probe and
form no part of the claimed design.

1 Claim, 3 Drawing Sheets



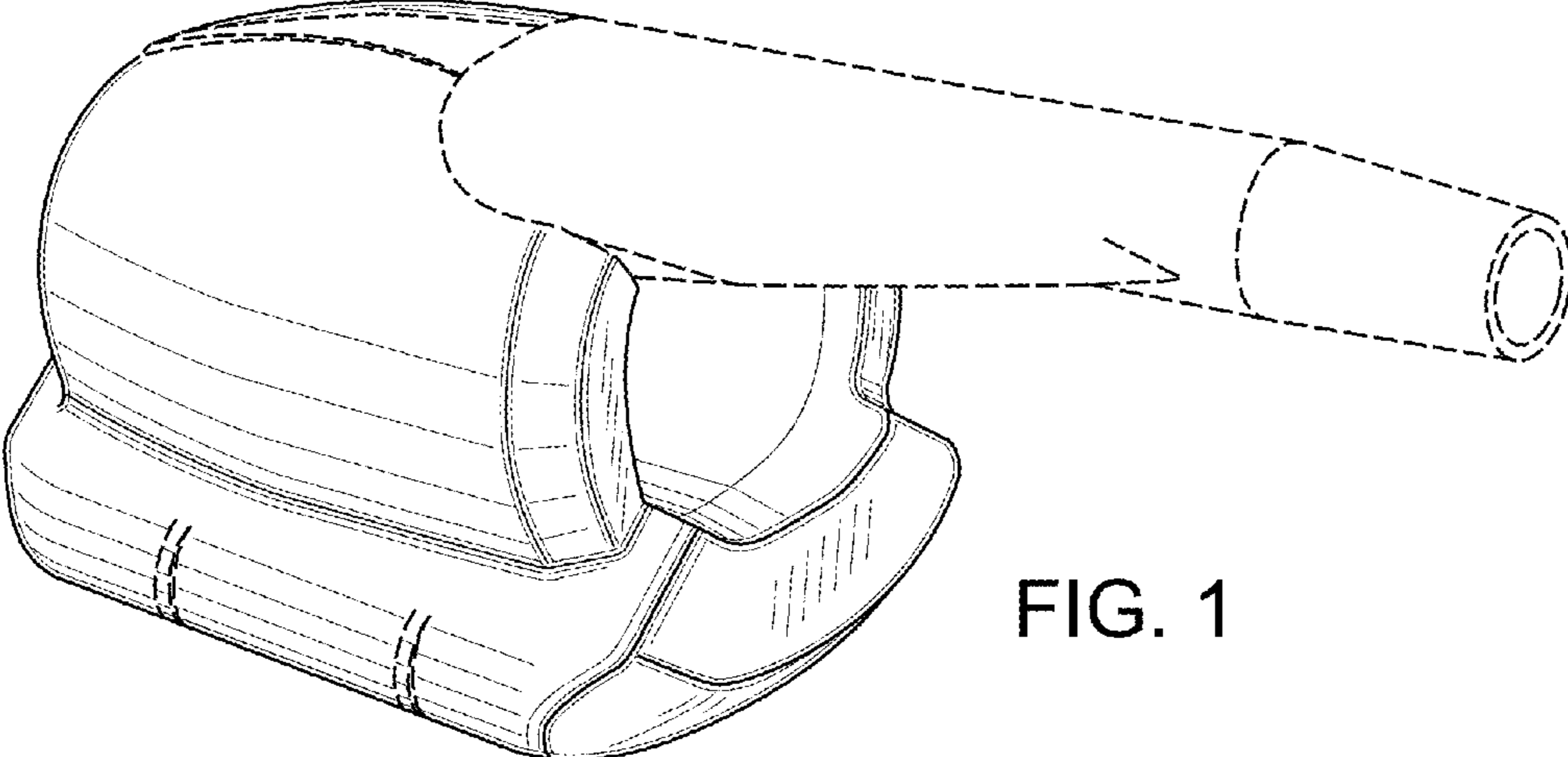


FIG. 1

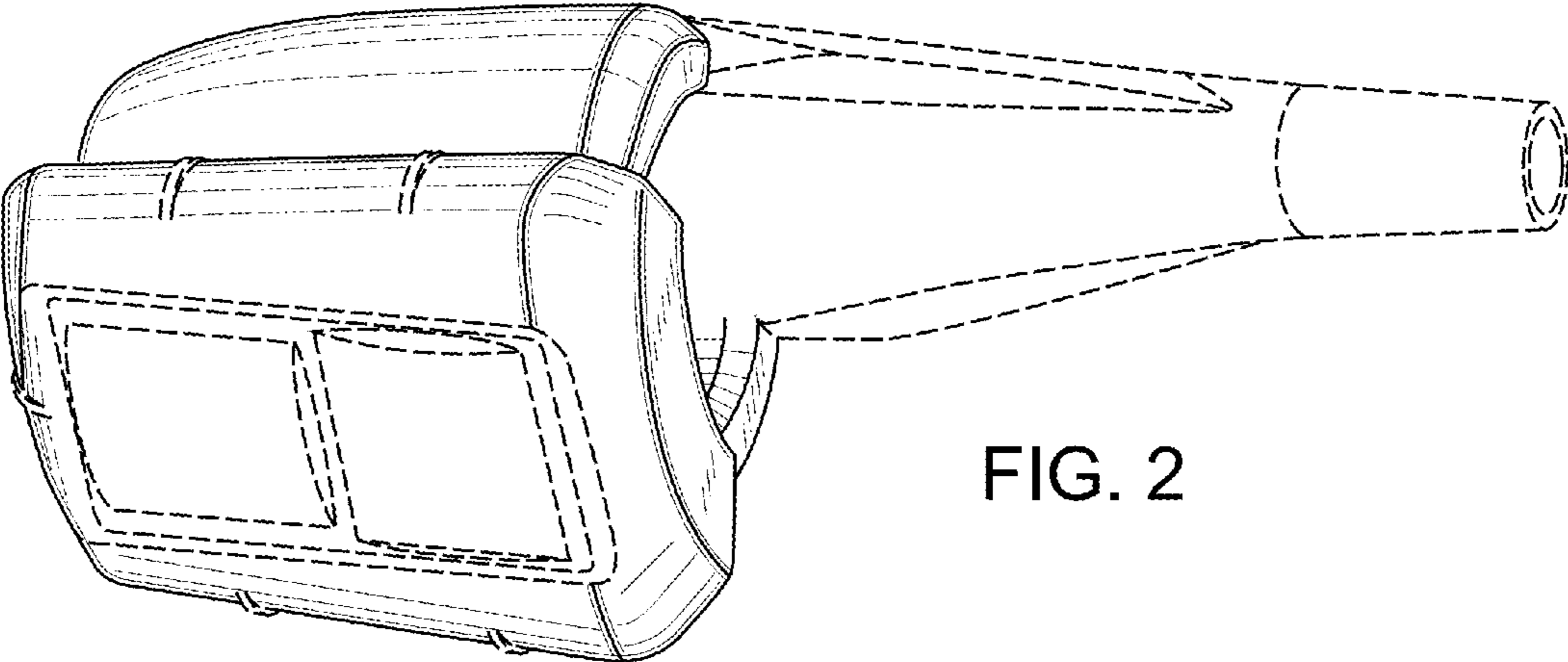


FIG. 2

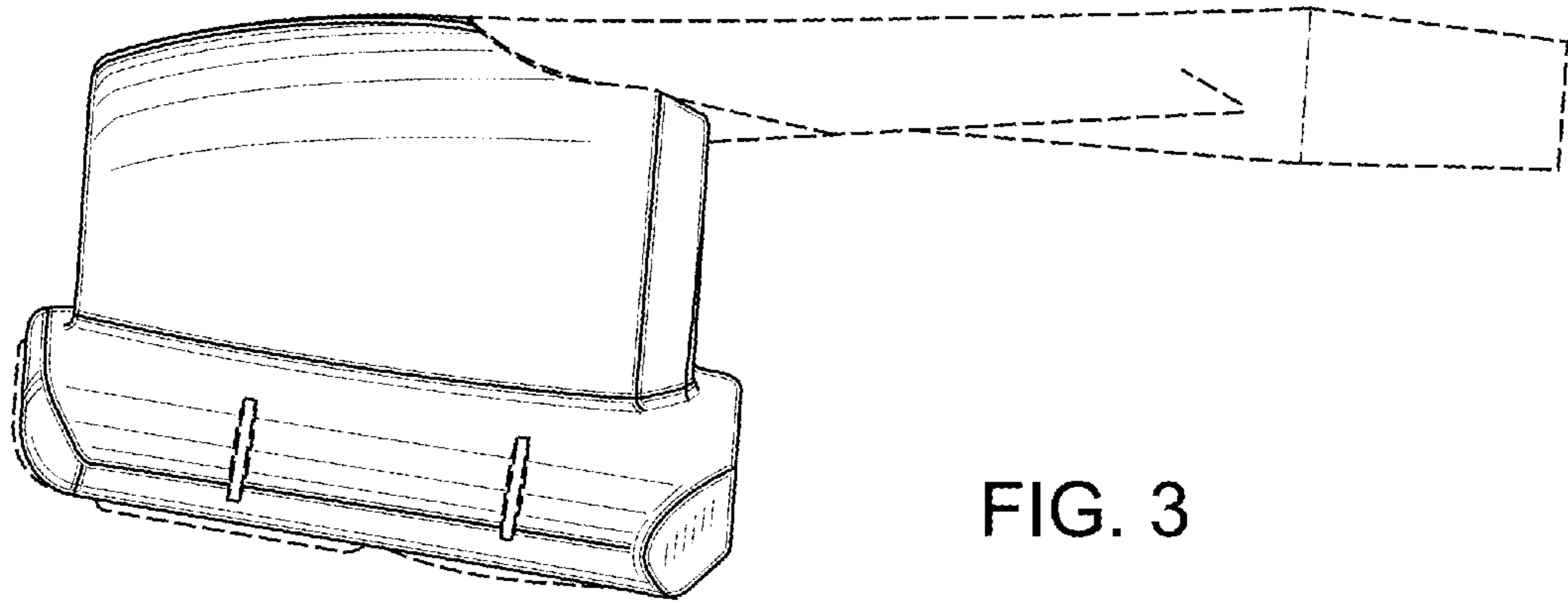


FIG. 3

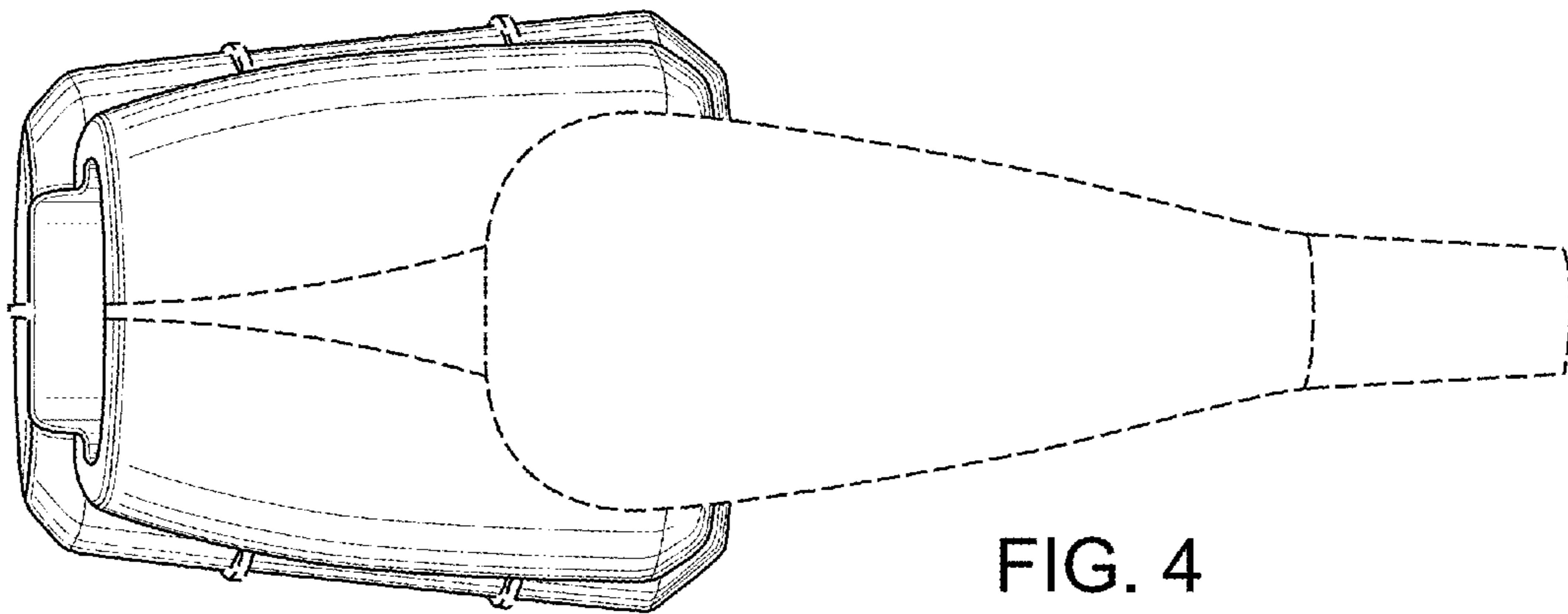


FIG. 4

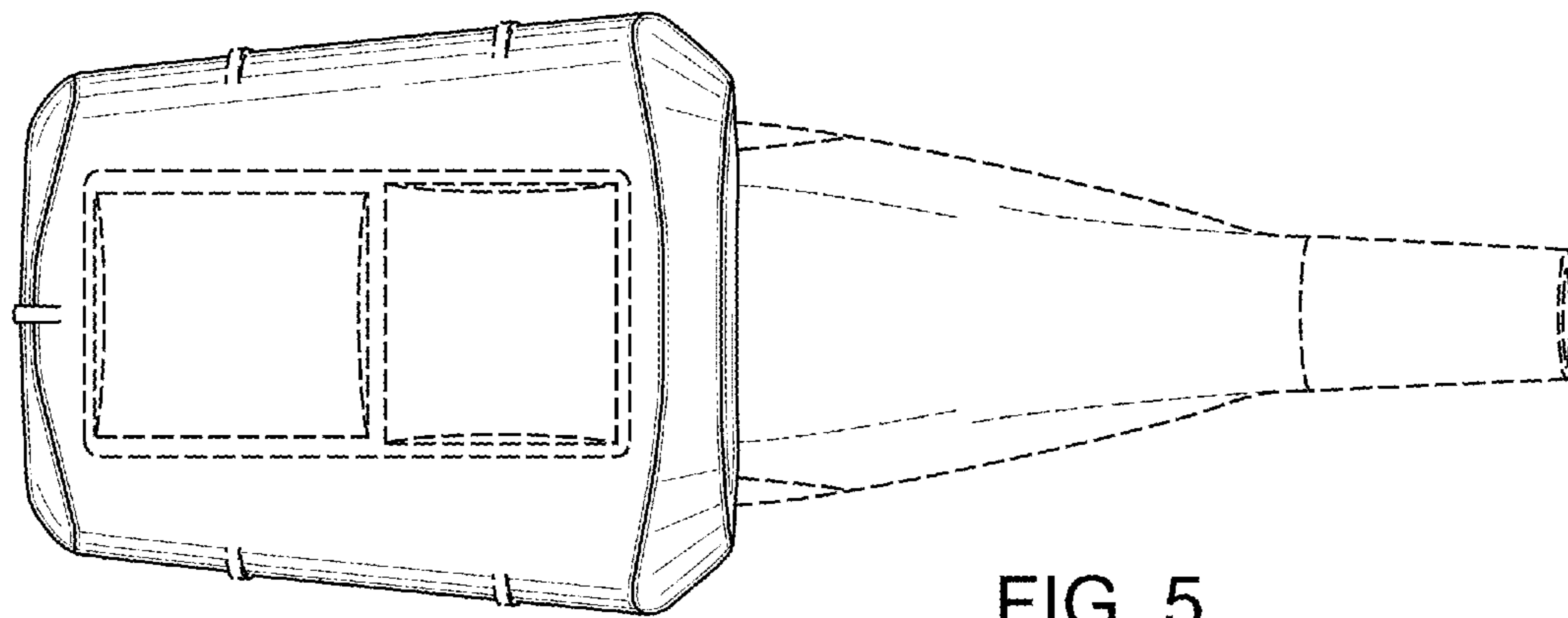


FIG. 5

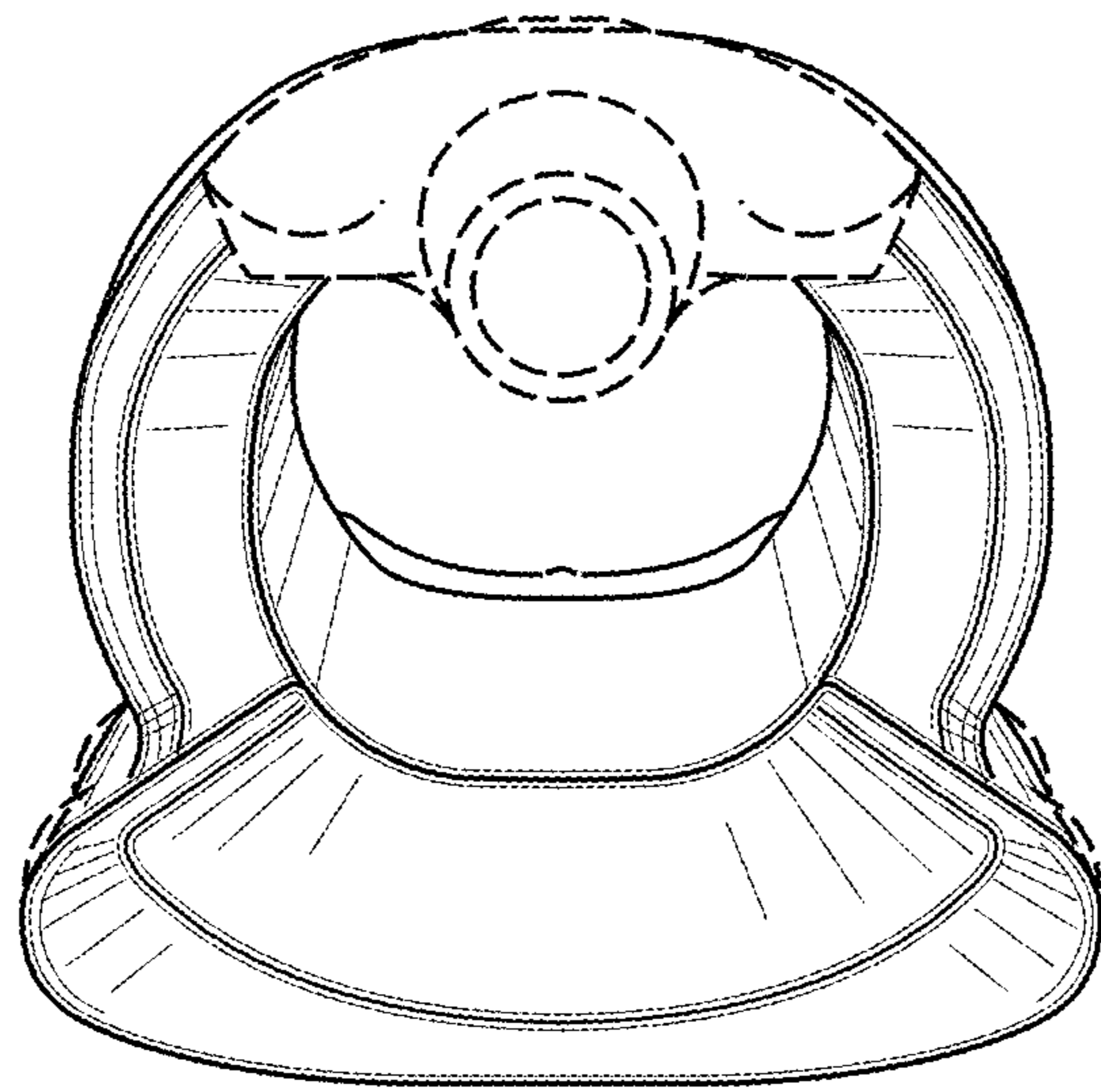


FIG. 6

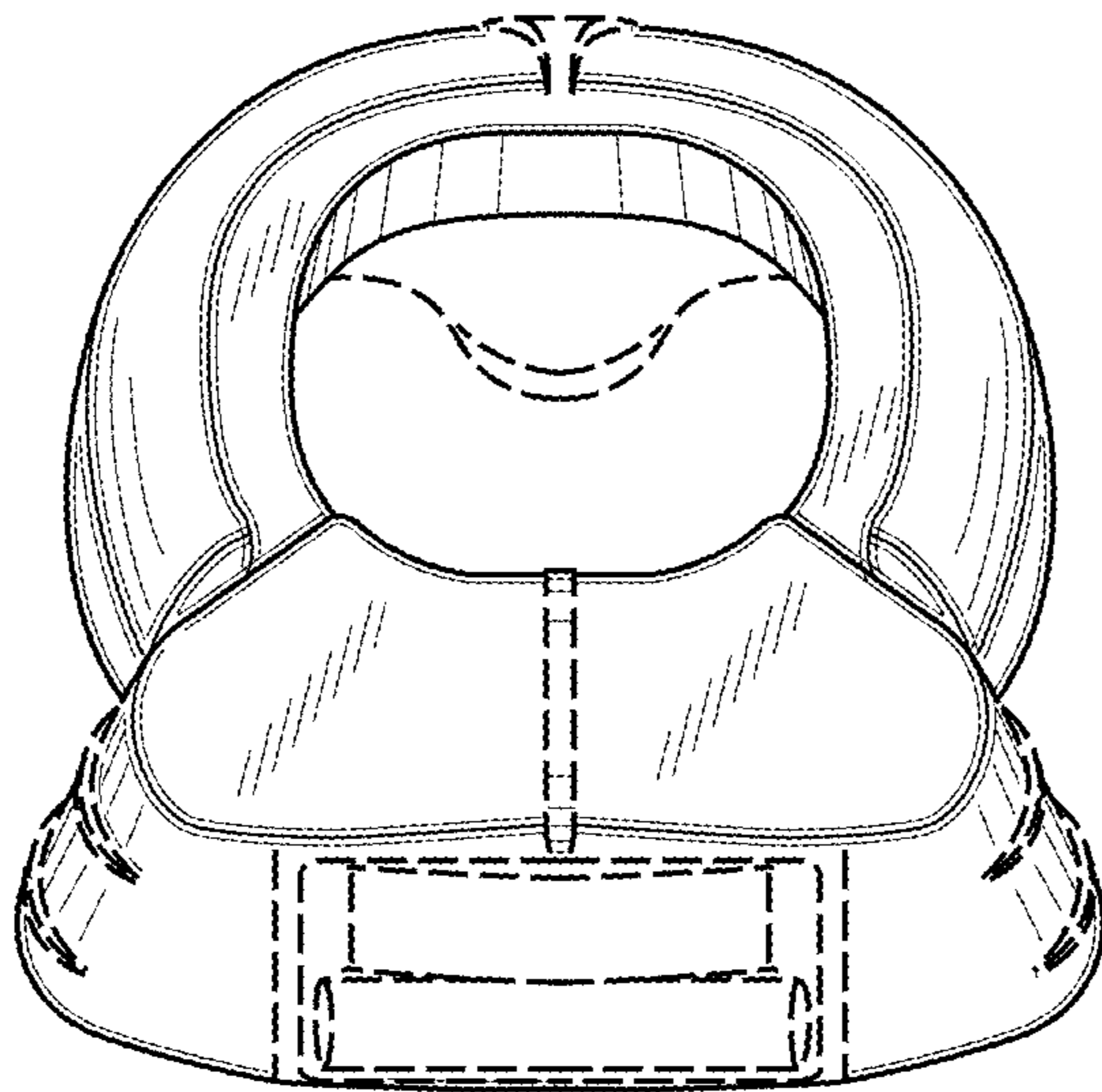


FIG. 7