



US00D743038S

(12) **United States Design Patent**
Kawasaki

(10) **Patent No.:** **US D743,038 S**

(45) **Date of Patent:** **** Nov. 10, 2015**

(54) **ORTHODONTIC BRACKET**

(71) Applicant: **TOMY INCORPORATED**,
Futabu-gun, Fukushima-ken (JP)

(72) Inventor: **Tomohiko Kawasaki**, Fukushima-ken
(JP)

(73) Assignee: **TOMY INCORPORATED**, Fukushima
(JP)

(**) Term: **14 Years**

(21) Appl. No.: **29/511,443**

(22) Filed: **Dec. 10, 2014**

(30) **Foreign Application Priority Data**

Jun. 10, 2014 (JP) 2014-012491

(51) **LOC (10) Cl.** **24-99**

(52) **U.S. Cl.**
USPC **D24/180**

(58) **Field of Classification Search**

USPC D24/176, 180; 433/2-3, 8-17

CPC A61C 7/12; A61C 7/14; A61C 7/287;

A61C 7/28; A61C 7/16; A61C 7/20; A61C

7/145; A61C 7/282; A61C 7/141

See application file for complete search history.

(56) **References Cited**

U.S. PATENT DOCUMENTS

6,776,613 B2 * 8/2004 Orikasa 433/11

7,335,020 B2 * 2/2008 Castner et al. 433/11

7,442,039 B2 * 10/2008 Opín et al. 433/11

7,621,743	B2 *	11/2009	Bathen et al.	433/10
7,993,132	B2 *	8/2011	Opín et al.	433/3
8,029,276	B1 *	10/2011	Lokar	433/10
D648,030	S *	11/2011	Bryant et al.	D24/180
8,568,138	B2 *	10/2013	Farzin-Nia et al.	433/10
2014/0080085	A1 *	3/2014	Morelli	433/11
2014/0199648	A1 *	7/2014	Lopes	433/11
2014/0205960	A1 *	7/2014	Farzin-Nia et al.	433/10
2014/0212828	A1 *	7/2014	Falcone et al.	433/11
2014/0308622	A1 *	10/2014	Voudouris	433/10
2015/0202026	A1 *	7/2015	Voudouris	433/9

* cited by examiner

Primary Examiner — Wan Laymon

(74) *Attorney, Agent, or Firm* — Brinks Gilson & Lione

(57) **CLAIM**

I claim the ornamental design for an orthodontic bracket, as shown and described.

DESCRIPTION

FIG. 1 is a front view of an orthodontic bracket of the present invention;

FIG. 2 is a rear view thereof;

FIG. 3 is a top view thereof;

FIG. 4 is a bottom view thereof;

FIG. 5 is a first side view thereof;

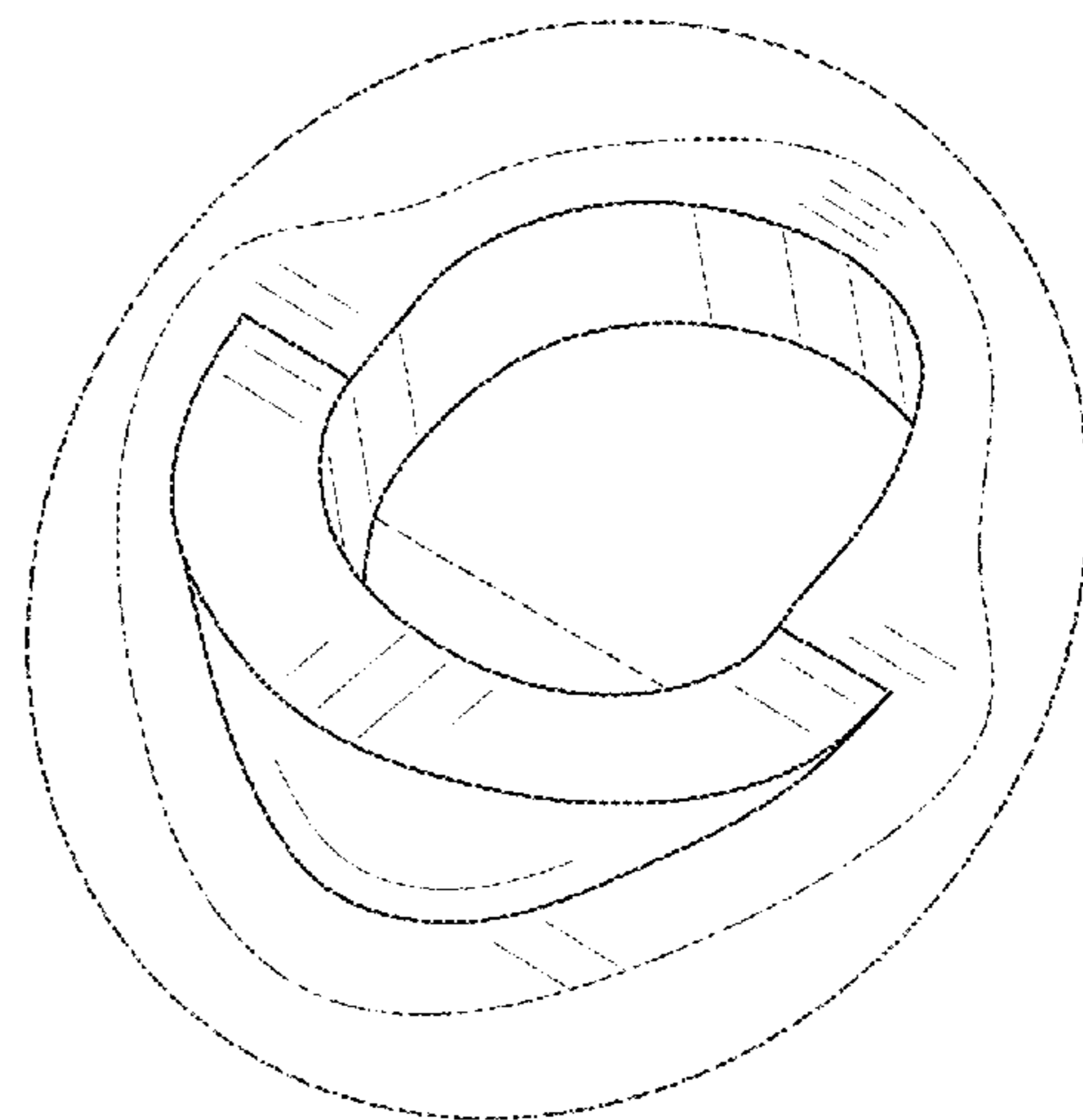
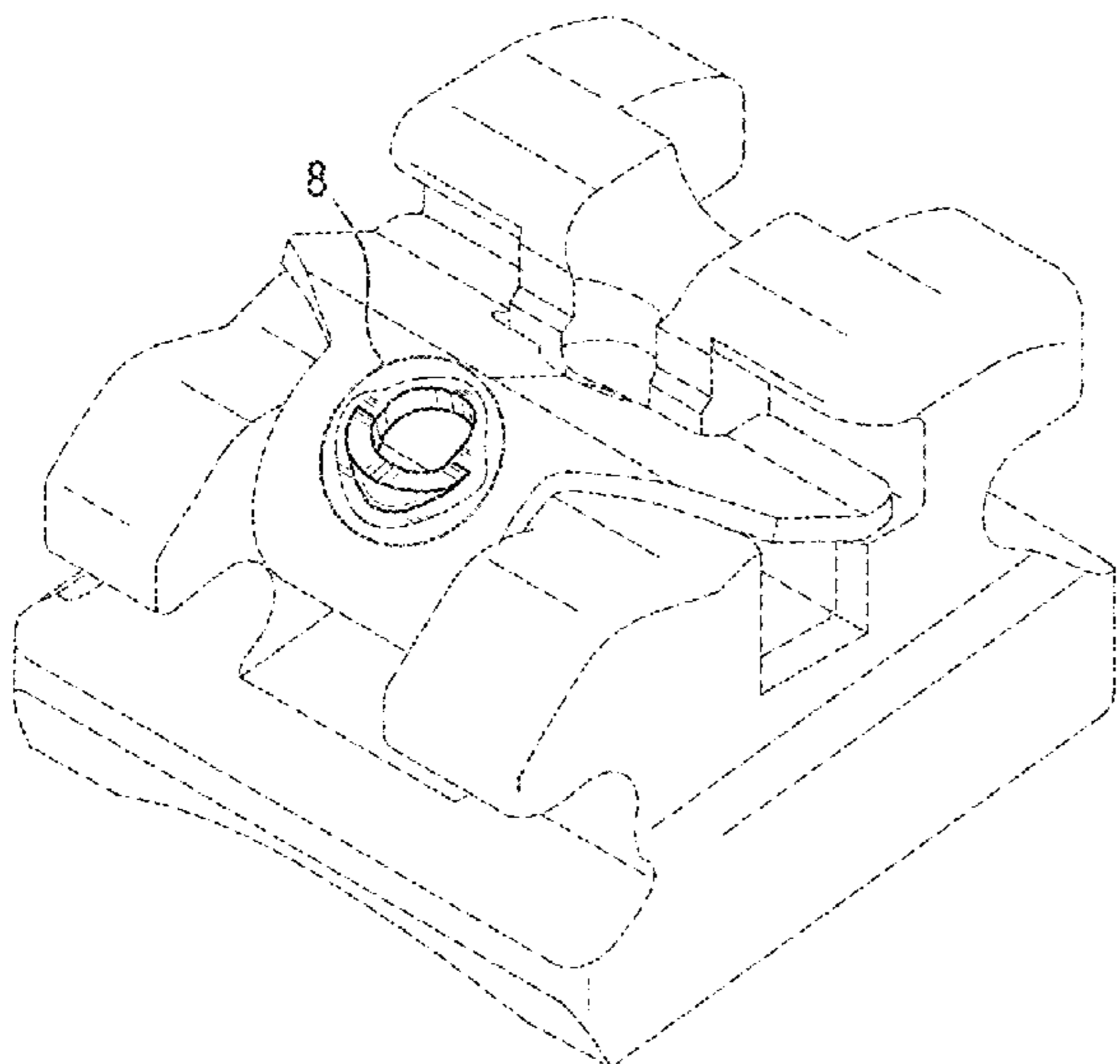
FIG. 6 is a second side view thereof;

FIG. 7 is a top perspective view thereof; and,

FIG. 8 is an enlarged top perspective view of the claimed area taken from FIG. 7.

The broken lines shown represent unclaimed subject matter and form no part of the claimed design. Additionally, the unevenly broken lines in the drawings define the limits of the claimed design.

1 Claim, 5 Drawing Sheets



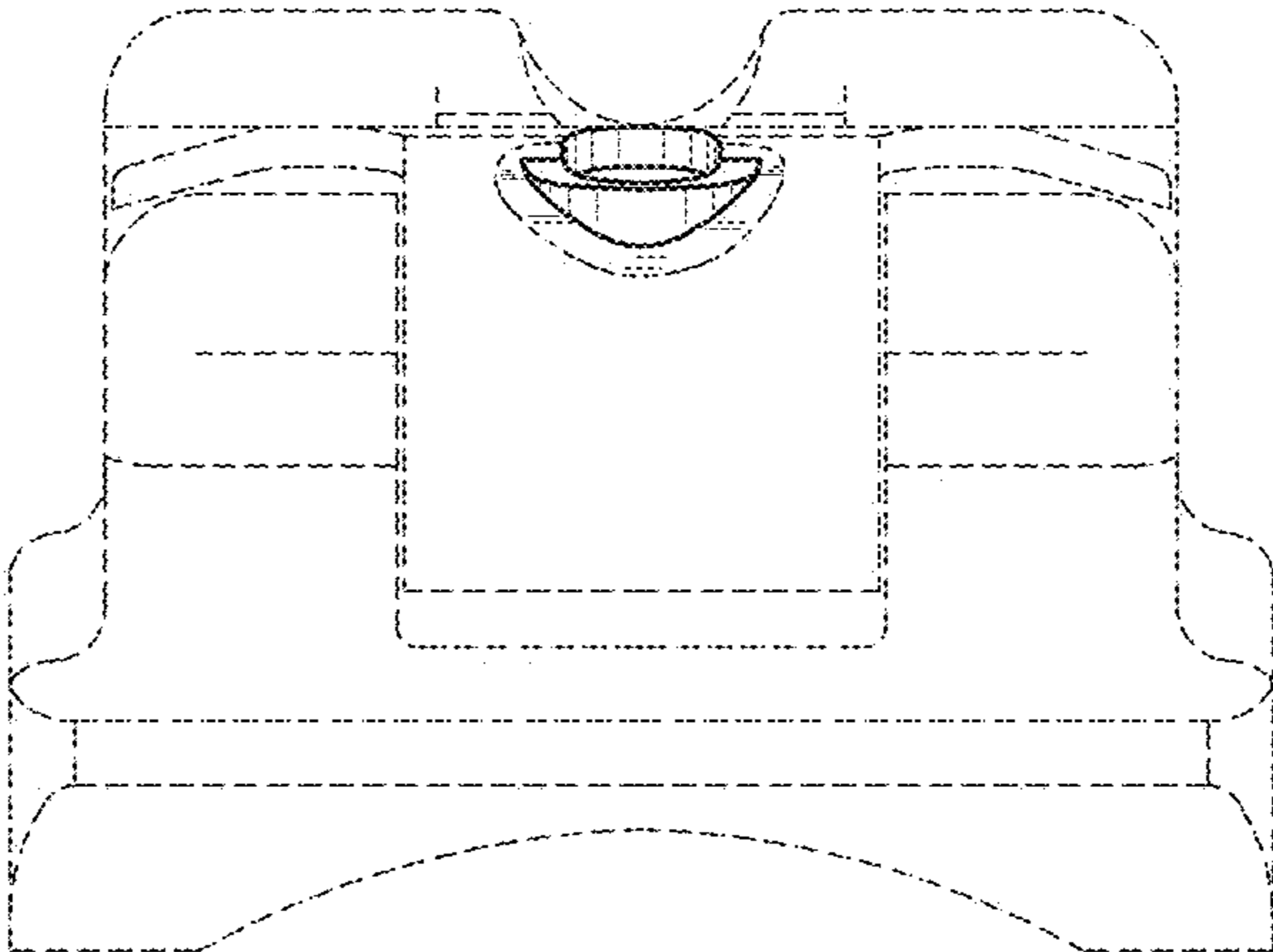


FIG. 1

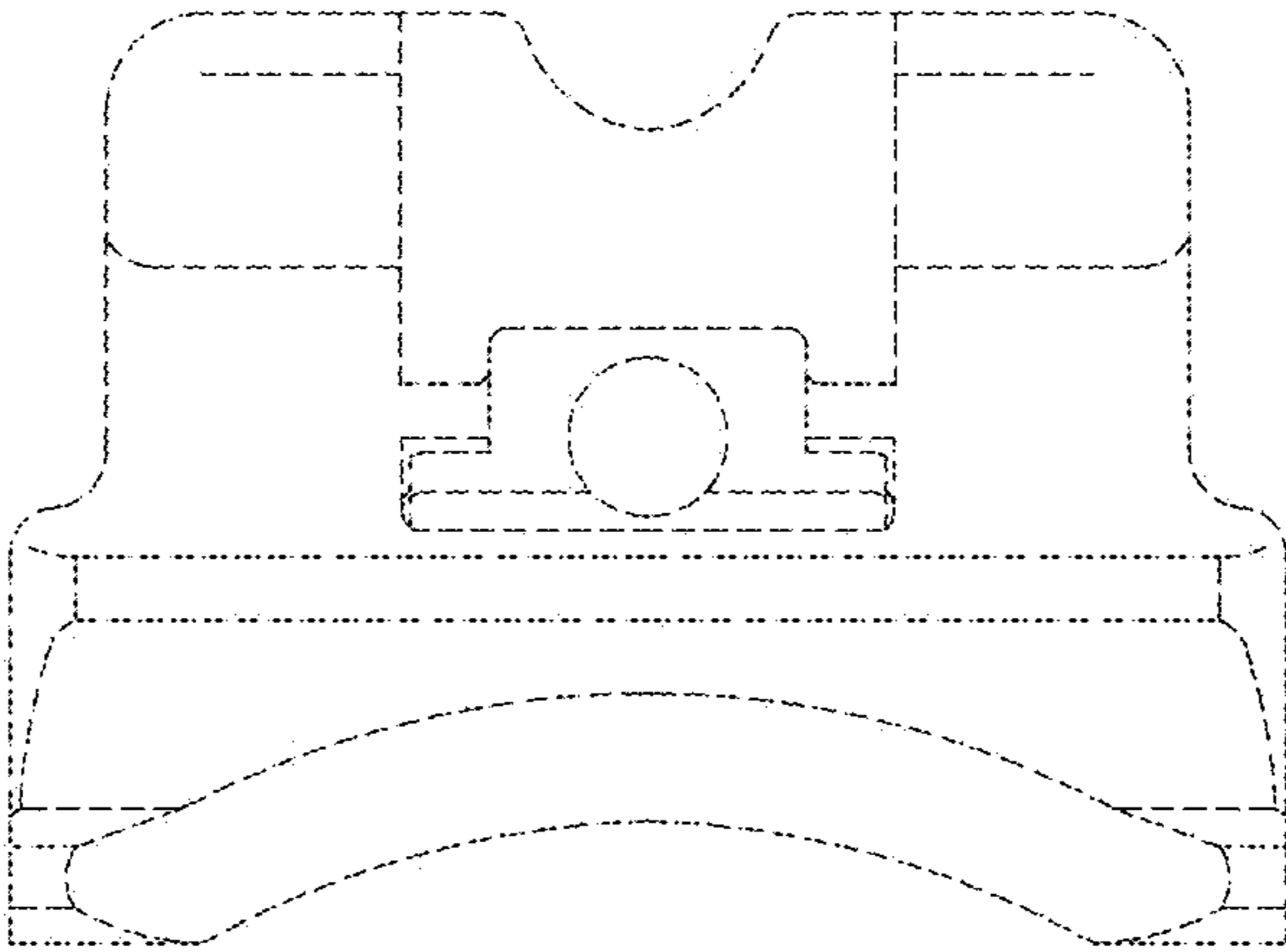


FIG. 2

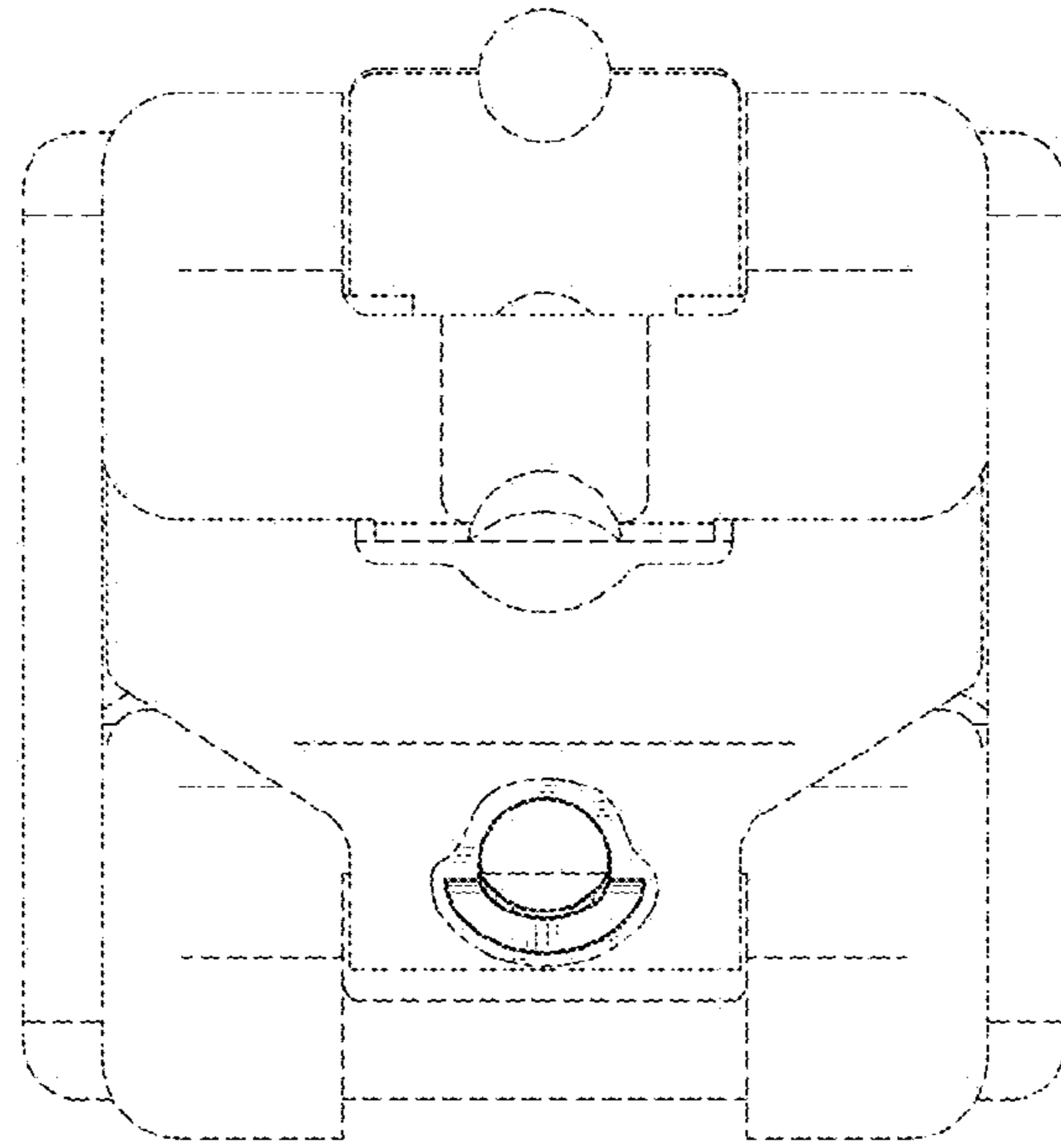


FIG. 3

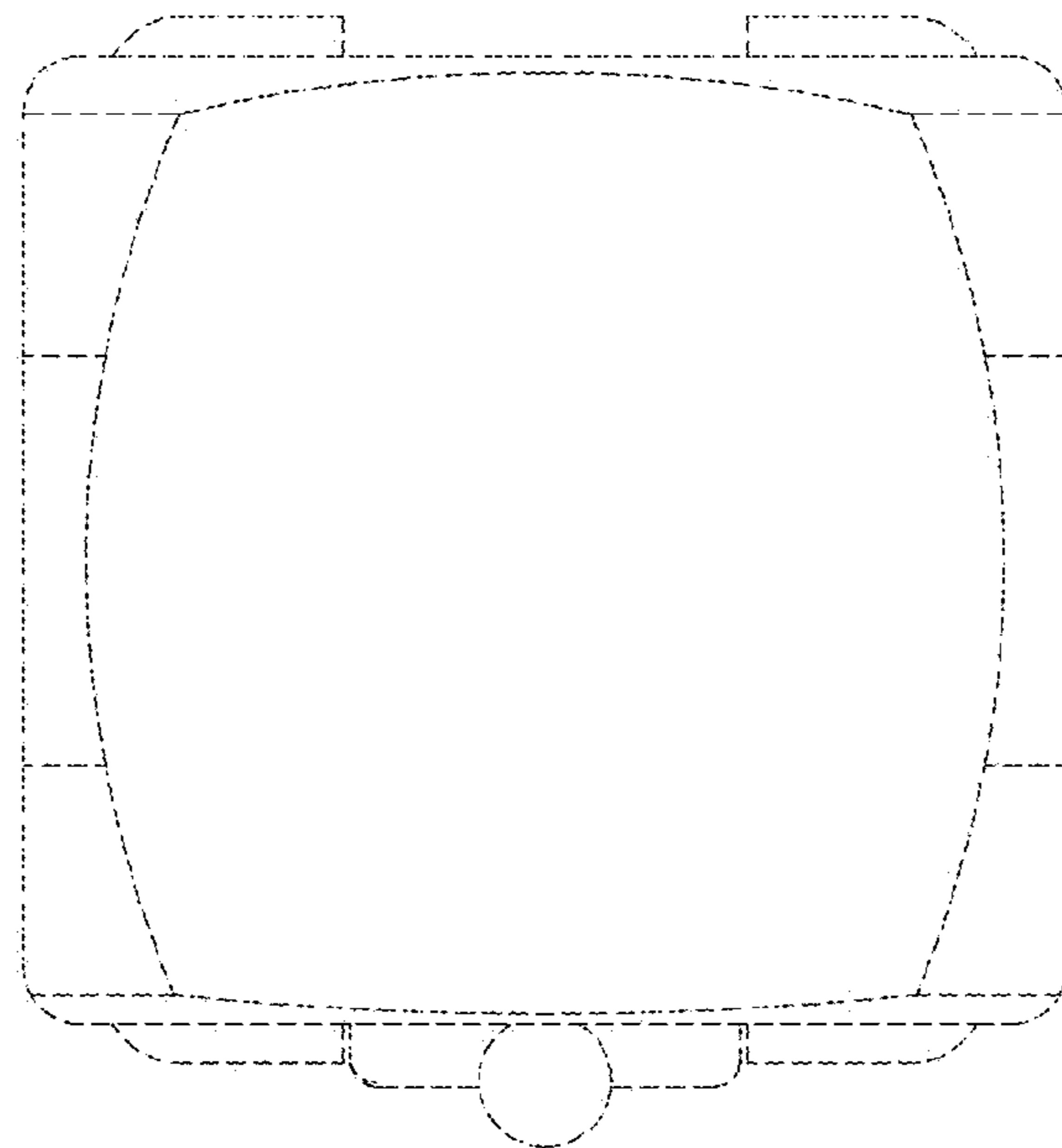


FIG. 4

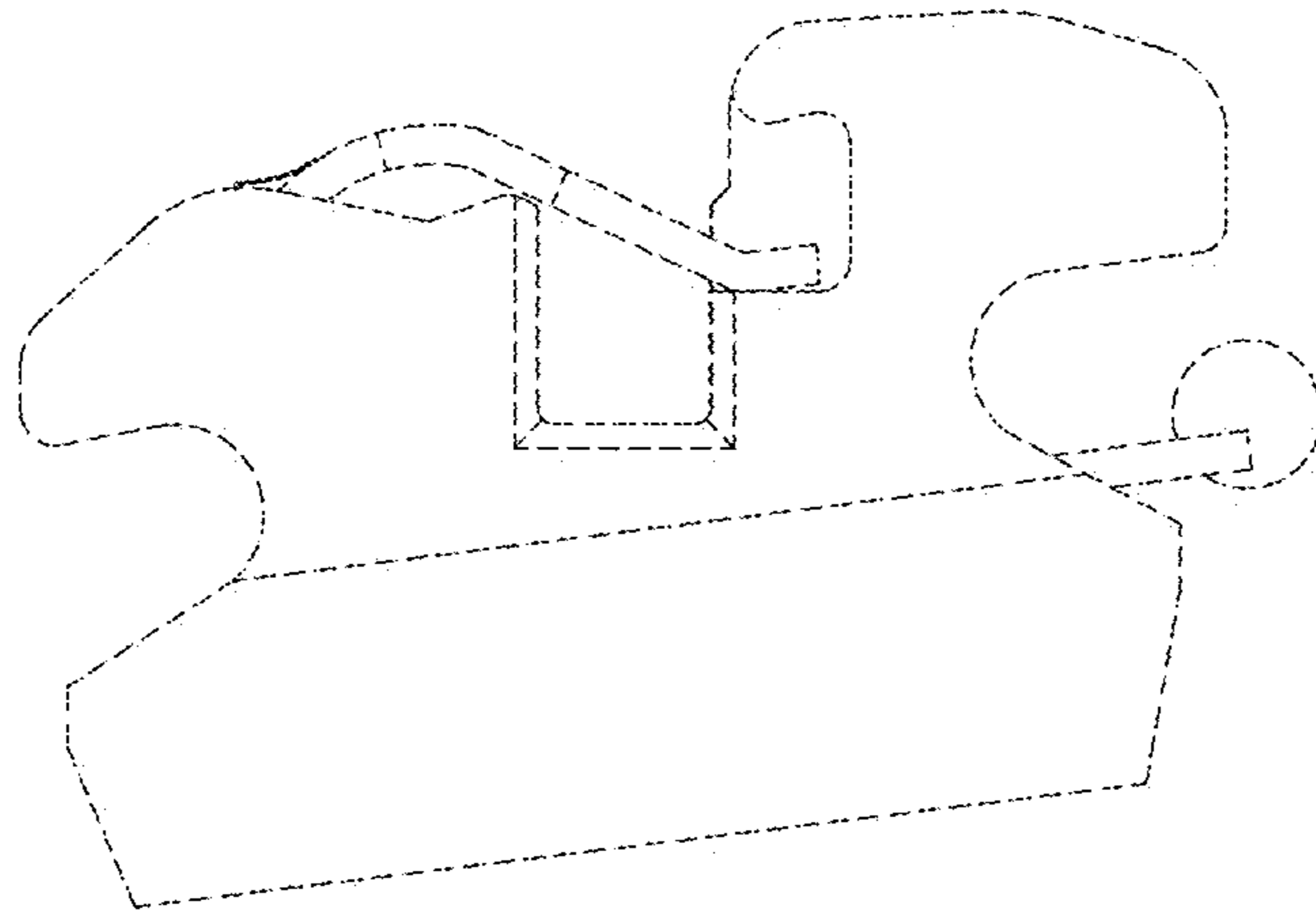


FIG. 5

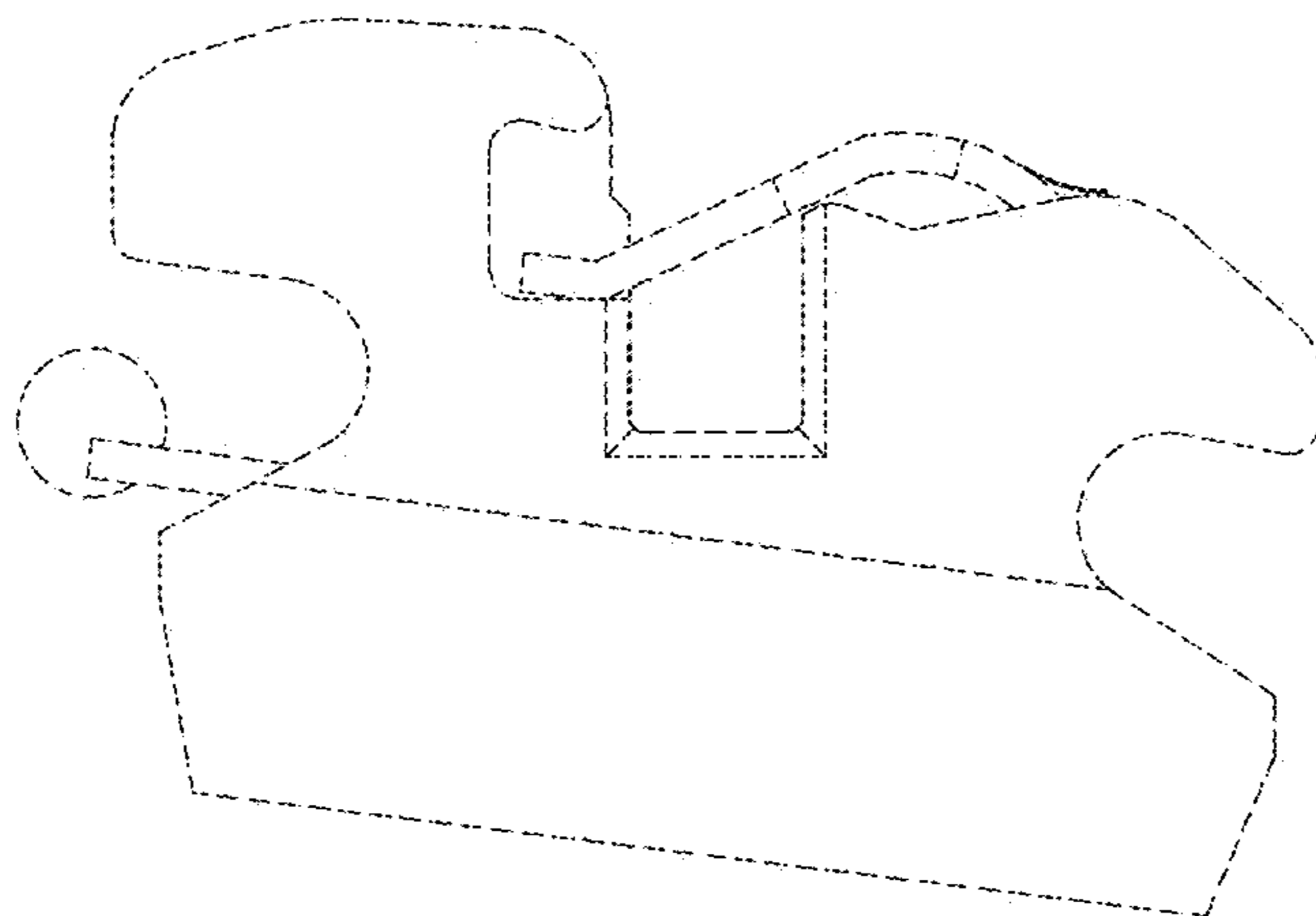


FIG. 6

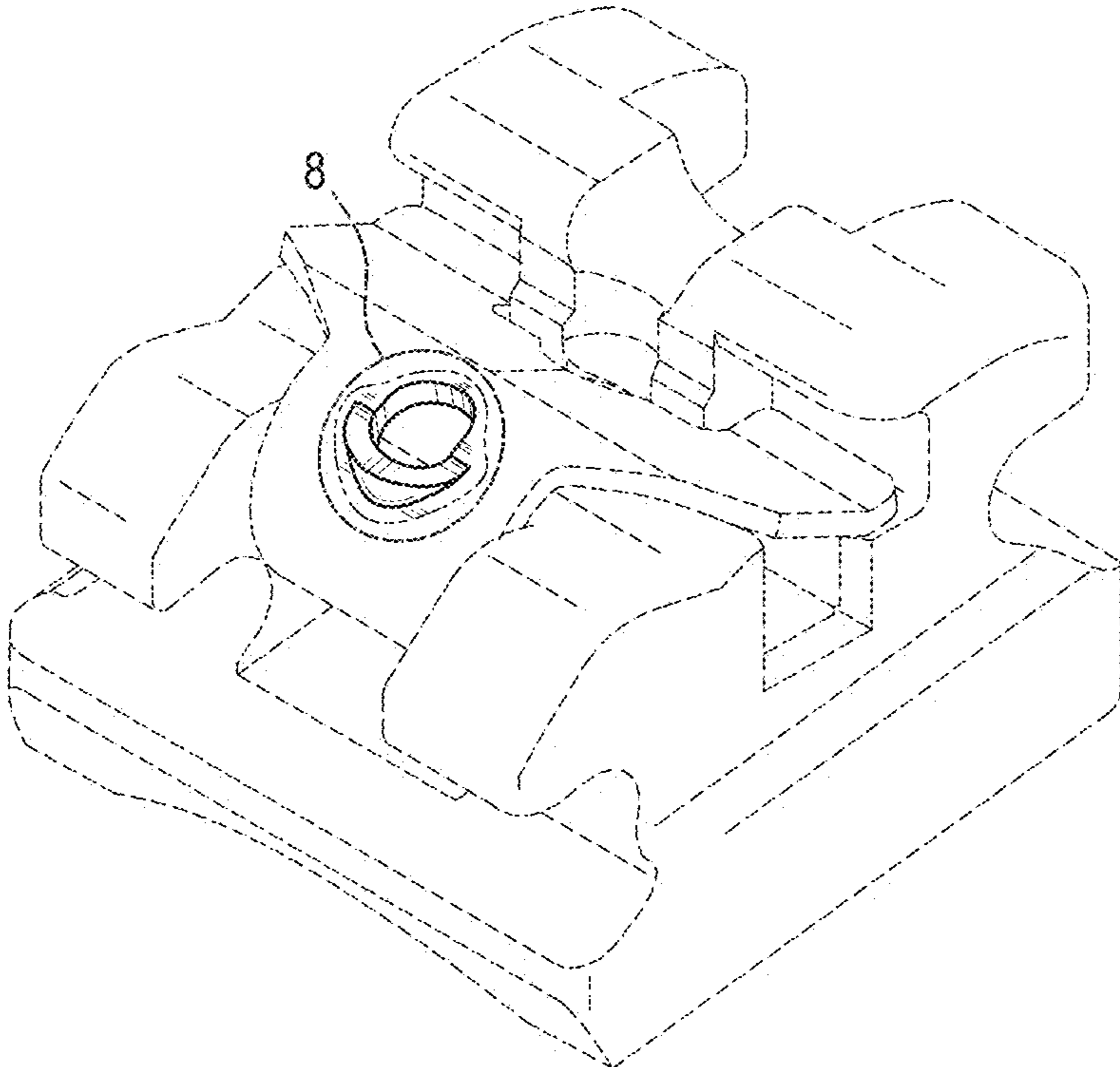


FIG. 7

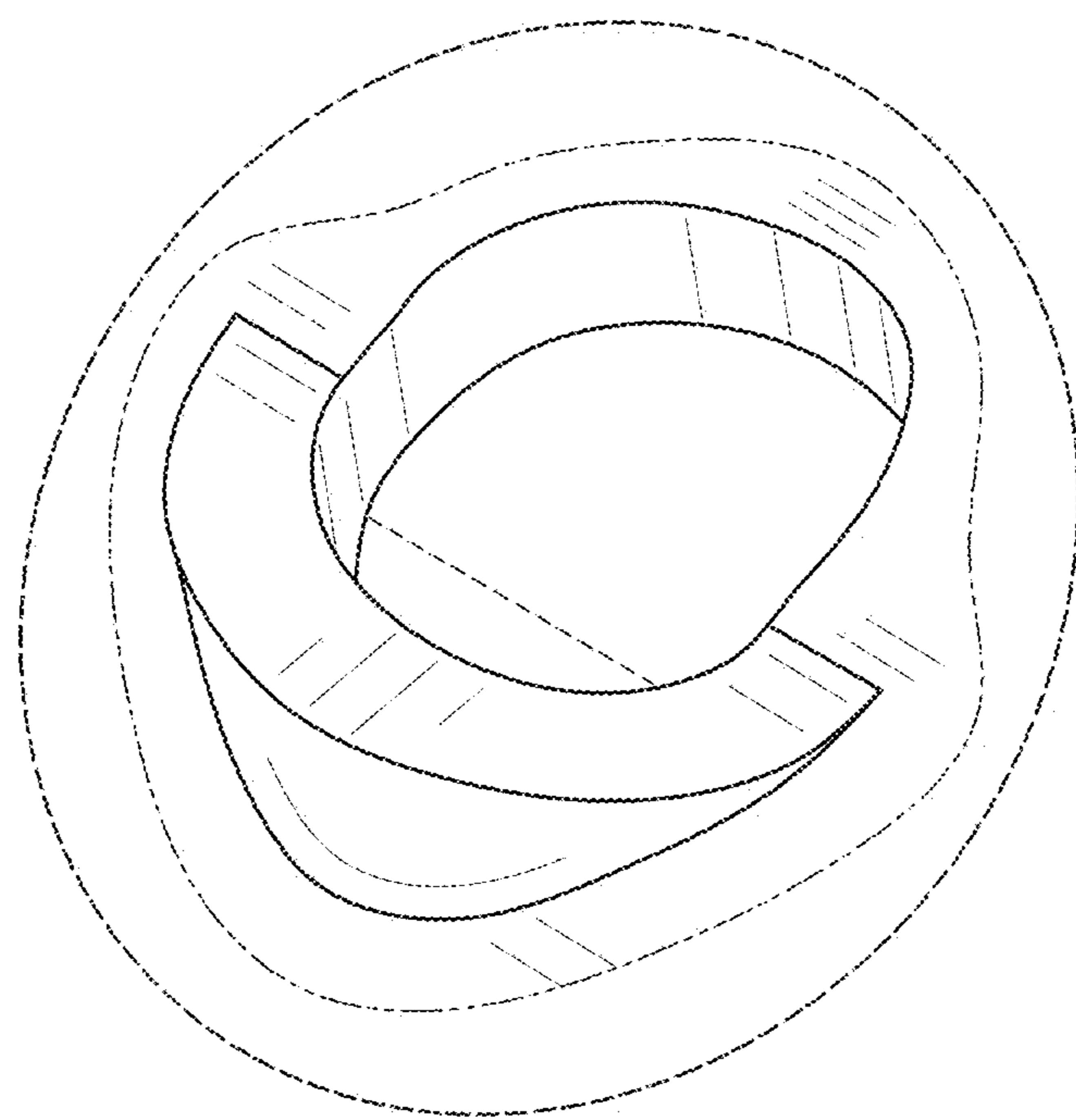


FIG. 8