



US00D743037S

(12) **United States Design Patent**
Gonzalez et al.

(10) **Patent No.:** **US D743,037 S**

(45) **Date of Patent:** **** Nov. 10, 2015**

(54) **PROPHY CUP**

FOREIGN PATENT DOCUMENTS

(71) Applicant: **Sunstar Americas, Inc.**, Chicago, IL
(US)

EP 0530646 3/1993
GB 498423 1/1939
WO 2005004746 1/2005

(72) Inventors: **Leoncio Angel Gonzalez**, Winfield, IL
(US); **Russell G. Kalbfeld**, Naperville,
IL (US); **Yuet Ping Yao**, Yuen Long
(HK)

OTHER PUBLICATIONS

Jefferies, S.R.; "Abrasive Finishing and Polishing in Restorative
Dentistry: A State-of-the-Art Review," *The Dental Clinics of North
America* 51, 2007, pp. 379-397.

(73) Assignee: **SUNSTAR AMERICAS, INC.**,
Chicago, IL (US)

(Continued)

(**) Term: **14 Years**

Primary Examiner — Wan Laymon

(21) Appl. No.: **29/497,608**

(74) *Attorney, Agent, or Firm* — Michael Best & Friedrich
LLP

(22) Filed: **Jul. 25, 2014**

(51) **LOC (10) Cl.** **24-02**

(52) **U.S. Cl.**
USPC **D24/176**

(58) **Field of Classification Search**
USPC D24/176-180; 433/125, 133, 166
CPC A61C 3/06; A61C 17/005; A61C 17/00;
A61C 15/047; A61C 17/22

(57) **CLAIM**

We claim the ornamental design for a prophy cup, as shown
and described.

See application file for complete search history.

DESCRIPTION

(56) **References Cited**

U.S. PATENT DOCUMENTS

3,599,333	A	8/1971	Muhler	
4,055,897	A	11/1977	Brix	
4,259,071	A	3/1981	Warden et al.	
4,486,175	A *	12/1984	Fisher et al.	433/133
4,929,180	A *	5/1990	Moreschini	433/166
5,083,922	A	1/1992	Yale	
5,178,538	A	1/1993	Eckert	
5,334,020	A	8/1994	Eckert	
5,380,202	A *	1/1995	Brahler	433/166
5,405,265	A	4/1995	Mendoza	
5,482,461	A	1/1996	Yale	
D368,523	S *	4/1996	Mendoza	D24/180

(Continued)

FIG. 1 is a first perspective view of a prophy cup according to
one embodiment of the invention.

FIG. 2 is a second perspective view of the prophy cup of FIG.
1.

FIG. 3 is a left side elevation view of the prophy cup of FIG.
1, the side opposite being a mirror image.

FIG. 4 is a top plan view of the prophy cup of FIG. 1.

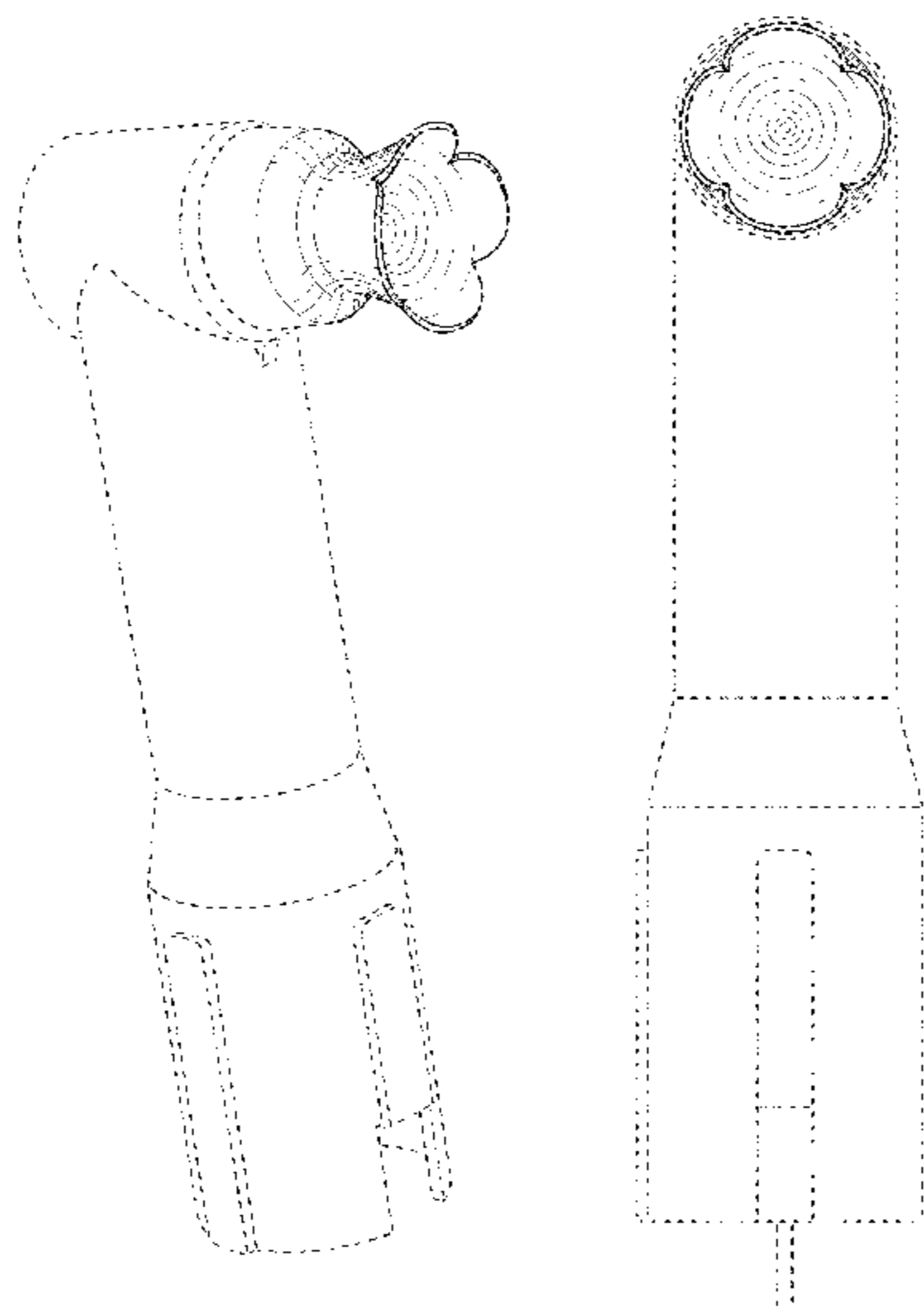
FIG. 5 is a bottom plan view of the prophy cup of FIG. 1.

FIG. 6 is a front elevation view of the prophy cup of FIG. 1;
and,

FIG. 7 is a rear elevation view of the prophy cup of FIG. 1.

The portions of the prophy cup shown in broken lines are
included for the purpose of illustrating environment and form
no part of the claimed design.

1 Claim, 5 Drawing Sheets



(56)

References Cited

U.S. PATENT DOCUMENTS

5,797,744	A	8/1998	Rosenberg	
D413,384	S *	8/1999	Hanley et al. D24/176
7,024,717	B2	4/2006	Hilscher et al.	
7,101,182	B2	9/2006	Garrison et al.	
7,678,314	B1	3/2010	Eckert	
7,806,689	B2	10/2010	Lee et al.	
7,955,079	B2	6/2011	Chronister et al.	
8,387,196	B2	3/2013	Jimenez et al.	
8,784,102	B1 *	7/2014	Kumar 433/166
2004/0131994	A1	7/2004	Bachmann et al.	
2009/0081609	A1 *	3/2009	Kalbfeld et al. 433/125
2012/0107769	A1	5/2012	Chronister et al.	
2013/0149666	A1	6/2013	Chalifoux	
2014/0017630	A1	1/2014	Chalifoux	

OTHER PUBLICATIONS

Navajo Brand® Pumice, CR Minerals Co., available at <<http://www.groshea.com/pdf/CR%20Minerals/Tech%20Data%Sheet%20Granular%20Grades.pdf>> downloaded Feb. 3, 2015, (2 pages).

Prophy Cups & Brushes, Young, available at <<http://www.youngdental.com/product-cat/prophy-cups-brushes/>>, downloaded Feb. 3, 2015, (3 pages).

Contra Elite Disposable Prophy Angles, Young Dental Products, available at <<http://www.prestigedentalproducts.com/Contra-Elite-Disposable-Prophy-Angles-Young-Dental/>>, downloaded Feb. 3, 2015, (2 pages).

Paste Free Prophy Angles (Butler), available at <<http://www.prestigedentalproducts.com/Paste-Free-Prophy-Angles-Butler/?printable=Y>>, downloaded Feb. 3, 2015, (2 pages).

* cited by examiner

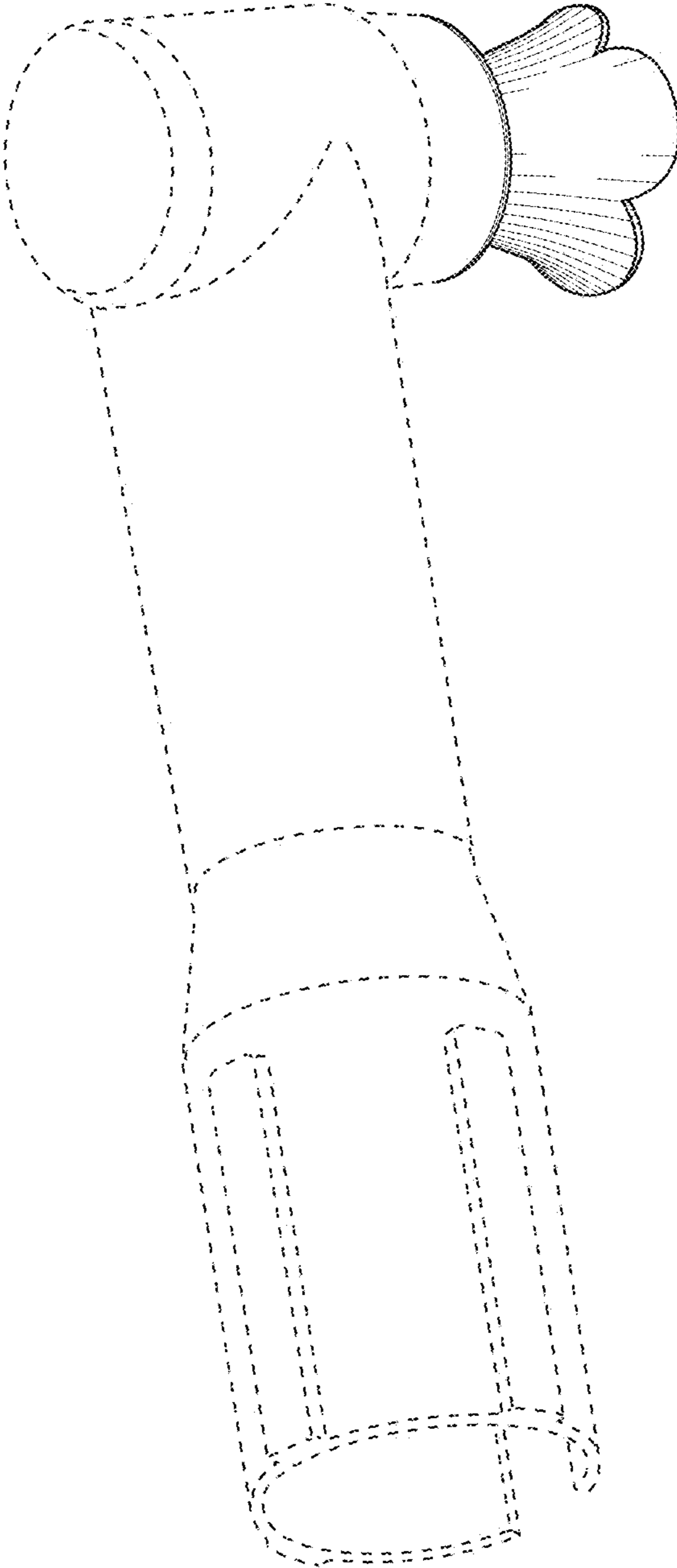


FIG. 1

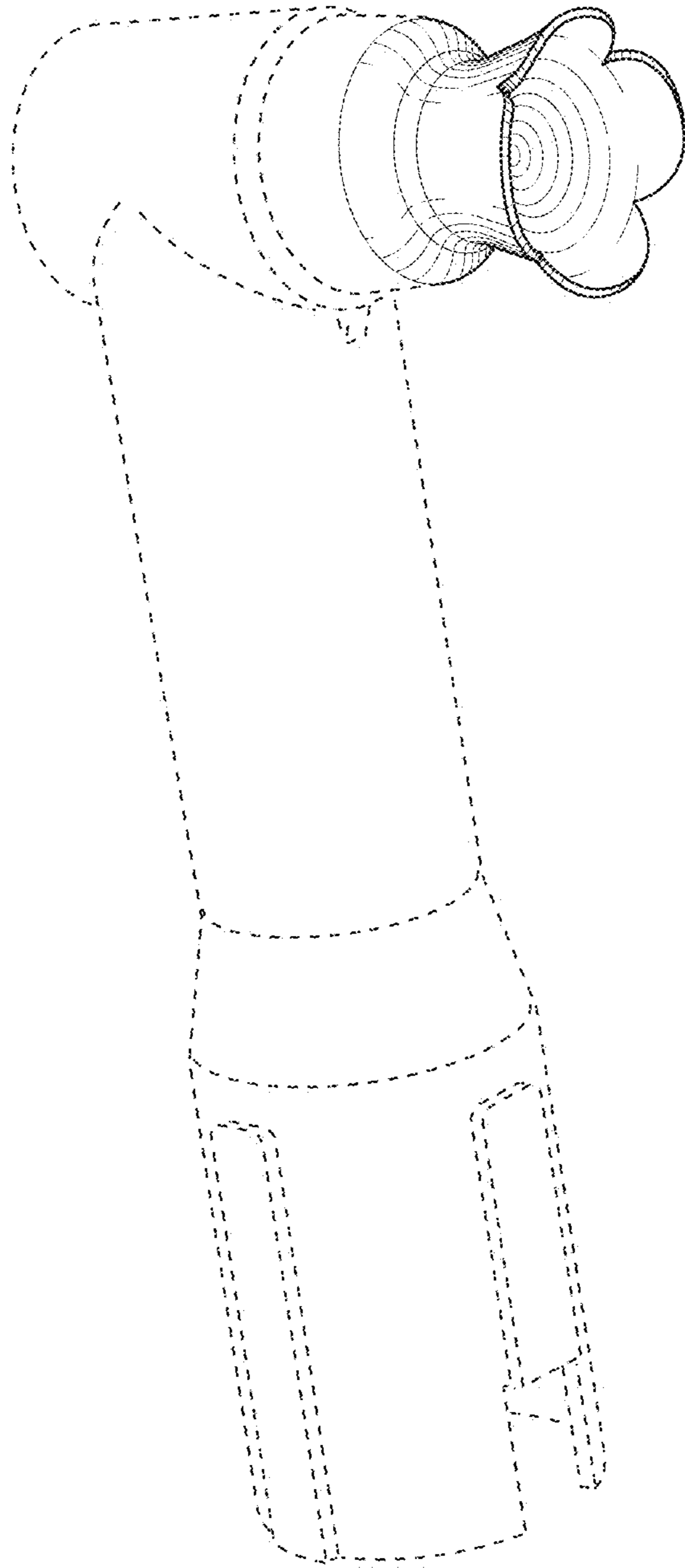


FIG. 2

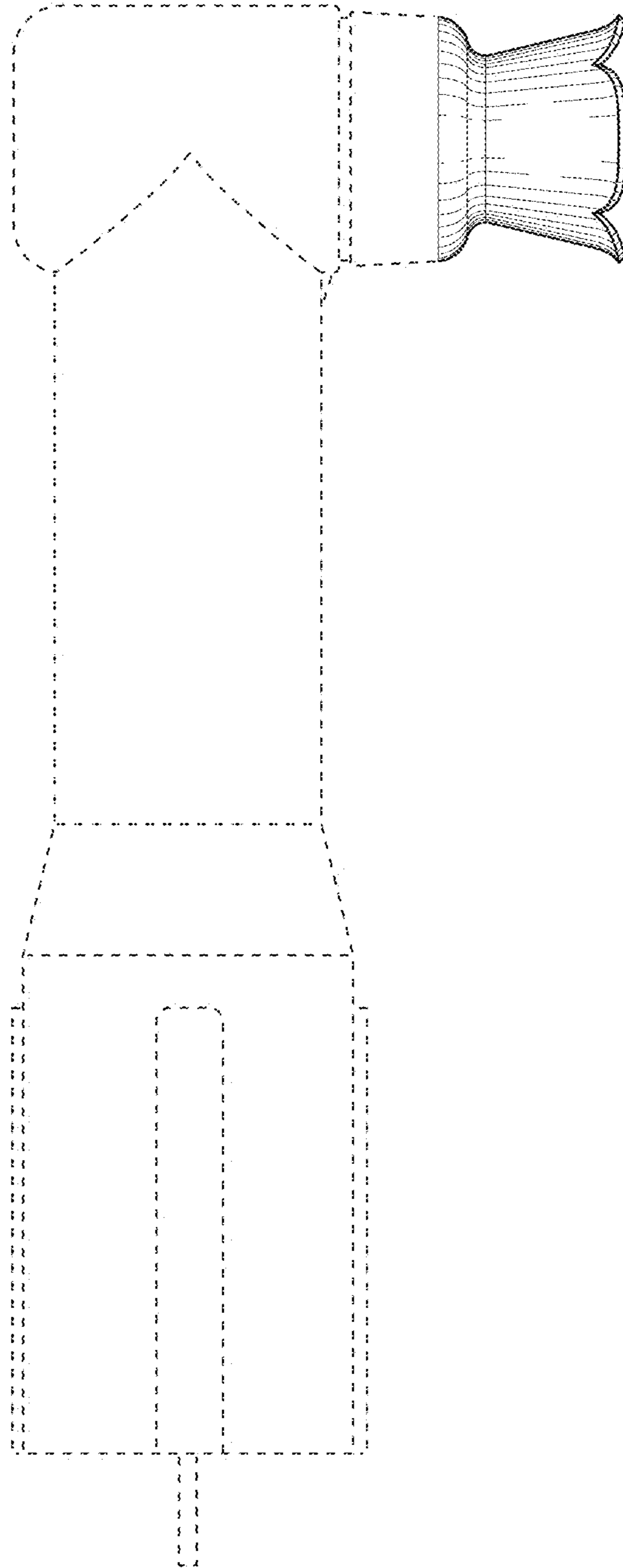


FIG. 3

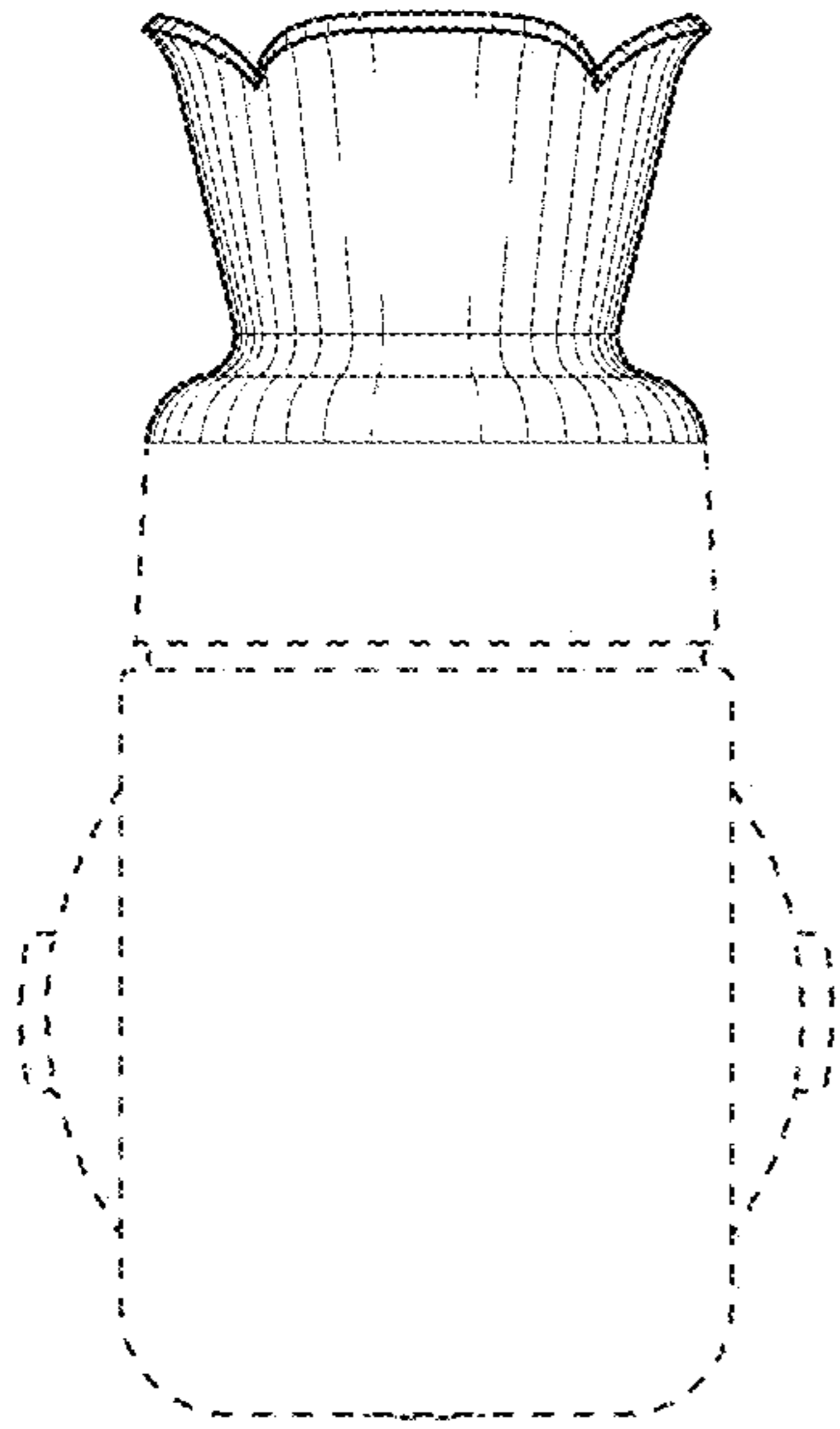


FIG. 4

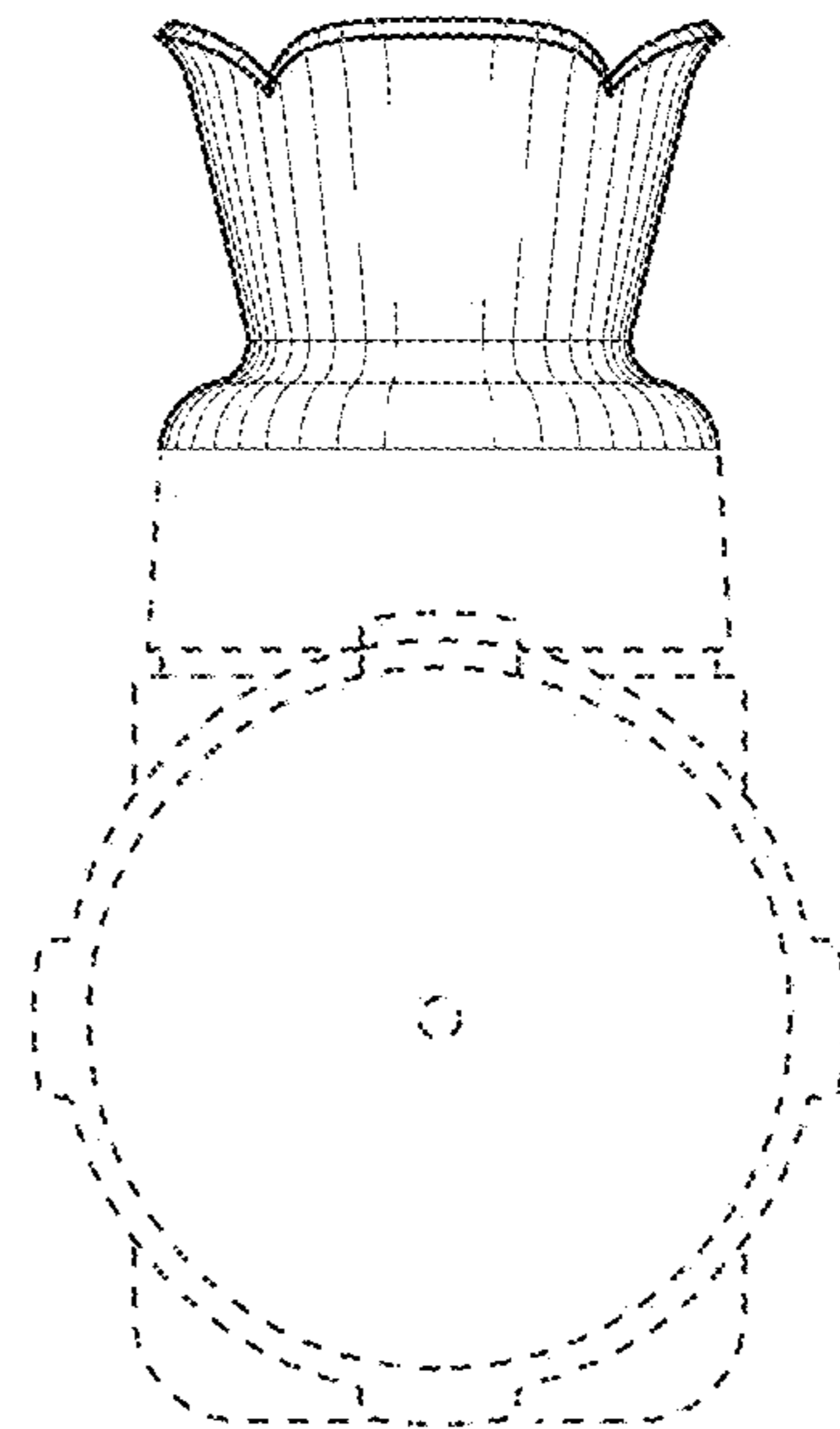


FIG. 5

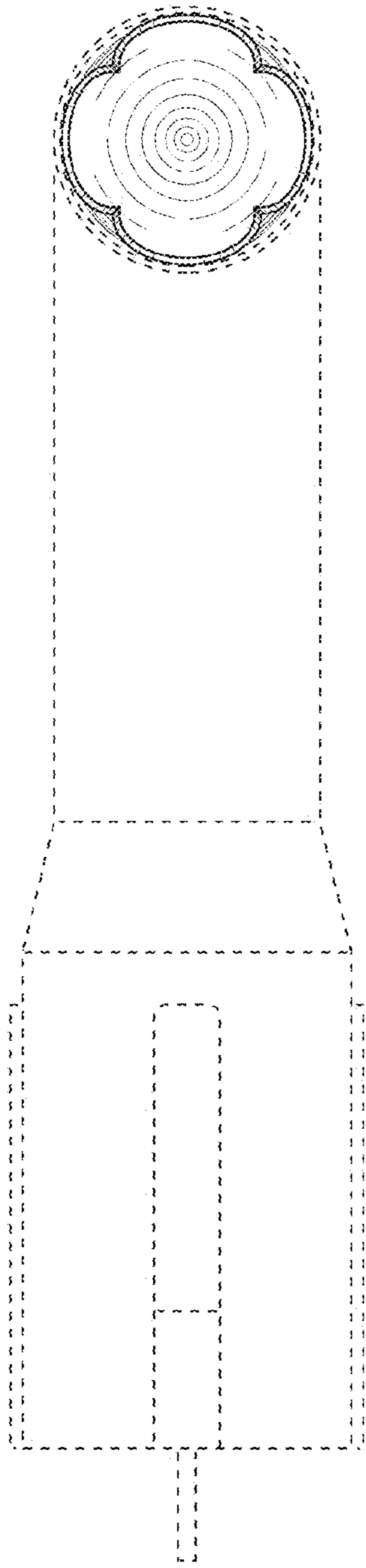


FIG. 6

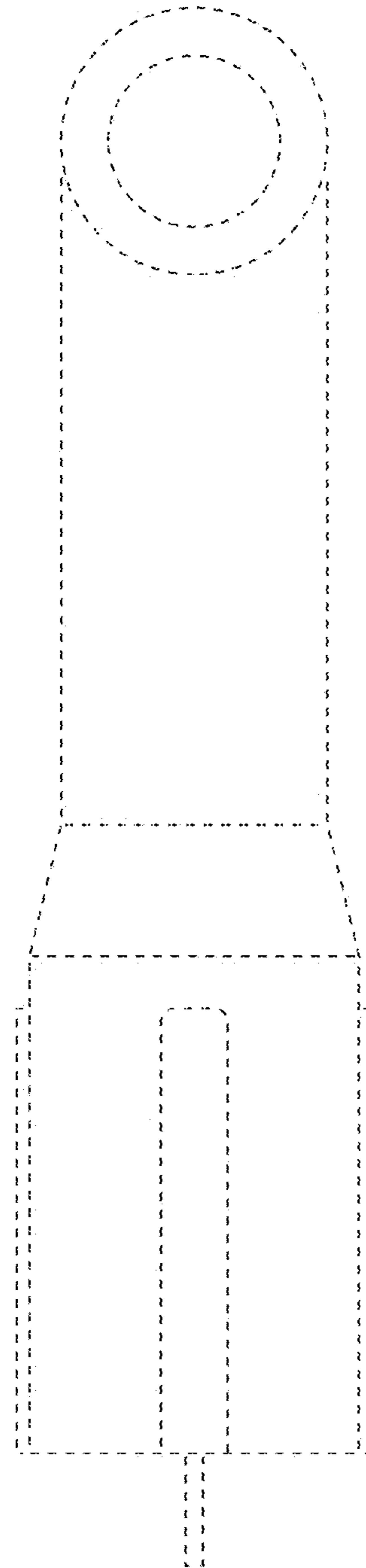


FIG. 7