



US00D743036S

(12) **United States Design Patent**  
**Boukhny et al.**

(10) **Patent No.:** **US D743,036 S**

(45) **Date of Patent:** **\*\* Nov. 10, 2015**

(54) **OPHTHALMIC SURGICAL MICROSCOPE  
CONSOLE**

(71) Applicant: **ENDURE MEDICAL, INC.**, Cumming,  
GA (US)

(72) Inventors: **Mikhail Boukhny**, Laguna Niguel, CA  
(US); **Jonathan M. Butler**, Gainesville,  
GA (US); **Steven M. Frank**, Suwanee,  
GA (US); **Eddie Hewlett**, Cumming, GA  
(US); **Robert T. Hewlett**, Cumming, GA  
(US); **John L. Raybuck**, Irvine, CA  
(US); **Gabriela Tomescu**, Mission Viejo,  
CA (US); **David M. Weston**, West Linn,  
OR (US)

(73) Assignee: **Endure Medical, Inc.**, Cumming, GA  
(US)

(\*\*) Term: **14 Years**

(21) Appl. No.: **29/456,433**

(22) Filed: **May 31, 2013**

(51) **LOC (10) Cl.** ..... **24-00**

(52) **U.S. Cl.**  
USPC ..... **D24/172**

(58) **Field of Classification Search**  
USPC ..... D24/172, 185, 137, 177, 158;  
280/47.34; 211/70.6; D16/131  
See application file for complete search history.

(56) **References Cited**

**U.S. PATENT DOCUMENTS**

D325,086 S \* 3/1992 Charles et al. .... D24/172  
D352,106 S \* 11/1994 Faney et al. .... D24/185  
D378,315 S \* 3/1997 Schwaegerle et al. .... D24/172  
D447,567 S \* 9/2001 Murphy et al. .... D24/172

D467,001 S \* 12/2002 Buczek et al. .... D24/172  
6,626,445 B2 \* 9/2003 Murphy et al. .... 280/47.34  
D486,915 S \* 2/2004 Warschewske et al. .... D24/185  
6,705,474 B1 \* 3/2004 Buczek ..... 211/70.6  
D512,507 S \* 12/2005 Smith ..... D24/172  
D550,362 S \* 9/2007 Olivera et al. .... D24/185  
D567,381 S \* 4/2008 Olivera et al. .... D24/185  
D595,327 S \* 6/2009 Okada et al. .... D16/131  
D607,562 S \* 1/2010 Heine et al. .... D24/137  
D621,050 S \* 8/2010 Jamison et al. .... D24/177  
D657,407 S \* 4/2012 Okamoto et al. .... D16/131  
D674,830 S \* 1/2013 Stoiakine ..... D16/131  
D680,650 S \* 4/2013 Muraoka et al. .... D24/158  
D692,563 S \* 10/2013 Naef et al. .... D24/172  
D694,890 S \* 12/2013 Bott et al. .... D24/172  
D695,408 S \* 12/2013 Bott et al. .... D24/172  
D698,444 S \* 1/2014 Mensink ..... D24/172  
D701,317 S \* 3/2014 Takasu et al. .... D24/172  
D705,430 S \* 5/2014 Sekine ..... D24/172  
D715,843 S \* 10/2014 Kawai ..... D16/131  
2013/0099072 A1 4/2013 Butler et al.

\* cited by examiner

*Primary Examiner* — Holly Baynham

*Assistant Examiner* — Rhea Shields

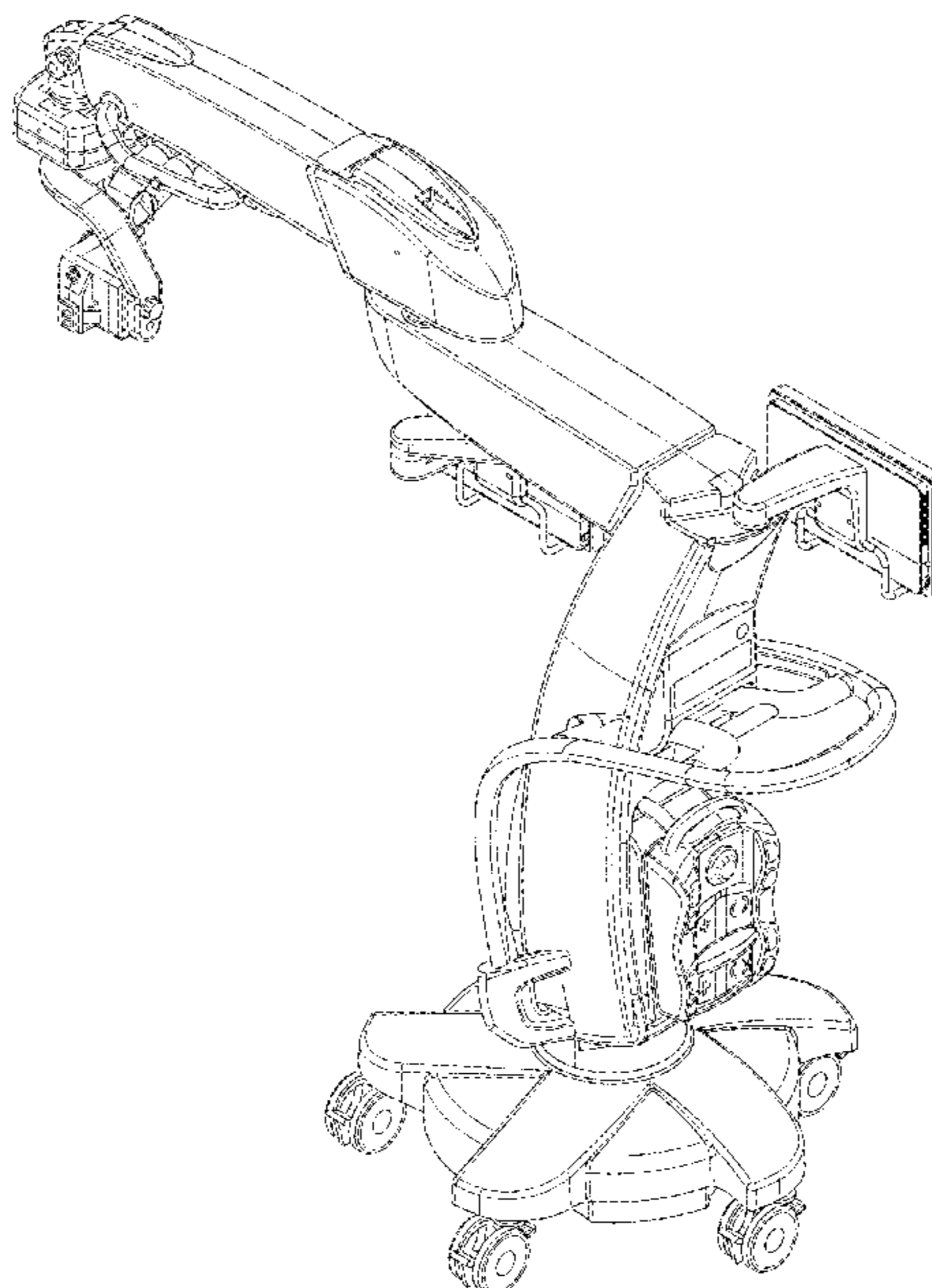
(57) **CLAIM**

The ornamental design for an ophthalmic surgical micro-  
scope console, as shown and described.

**DESCRIPTION**

FIG. 1 is a top, side perspective view of an ophthalmic sur-  
gical microscope console showing the design;  
FIG. 2 is a front view thereof;  
FIG. 3 is a rear view thereof;  
FIG. 4 is a right side view thereof;  
FIG. 5 is a left side view thereof;  
FIG. 6 is a top view thereof; and,  
FIG. 7 is a bottom view thereof.

**1 Claim, 6 Drawing Sheets**



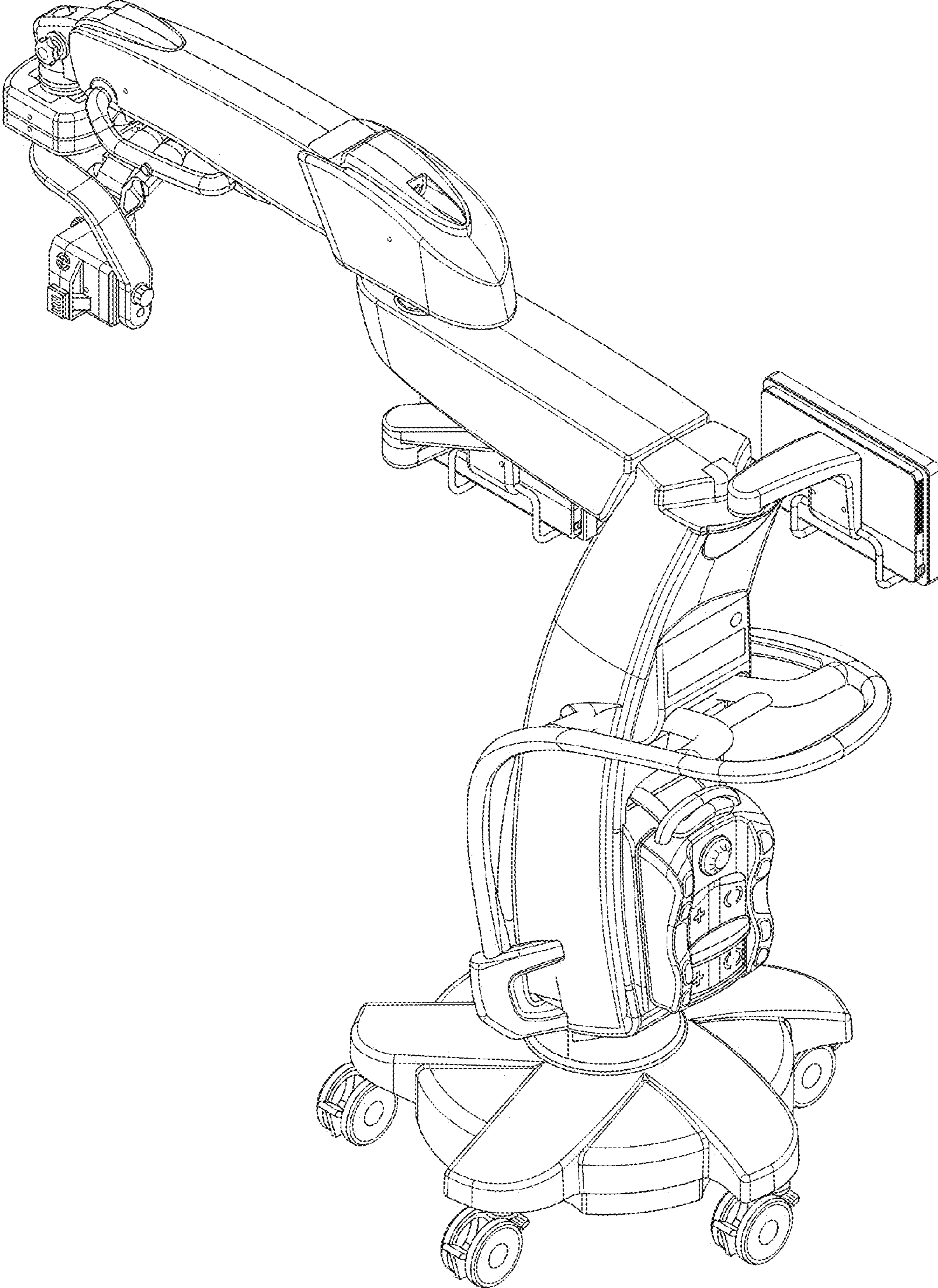


FIG. 1

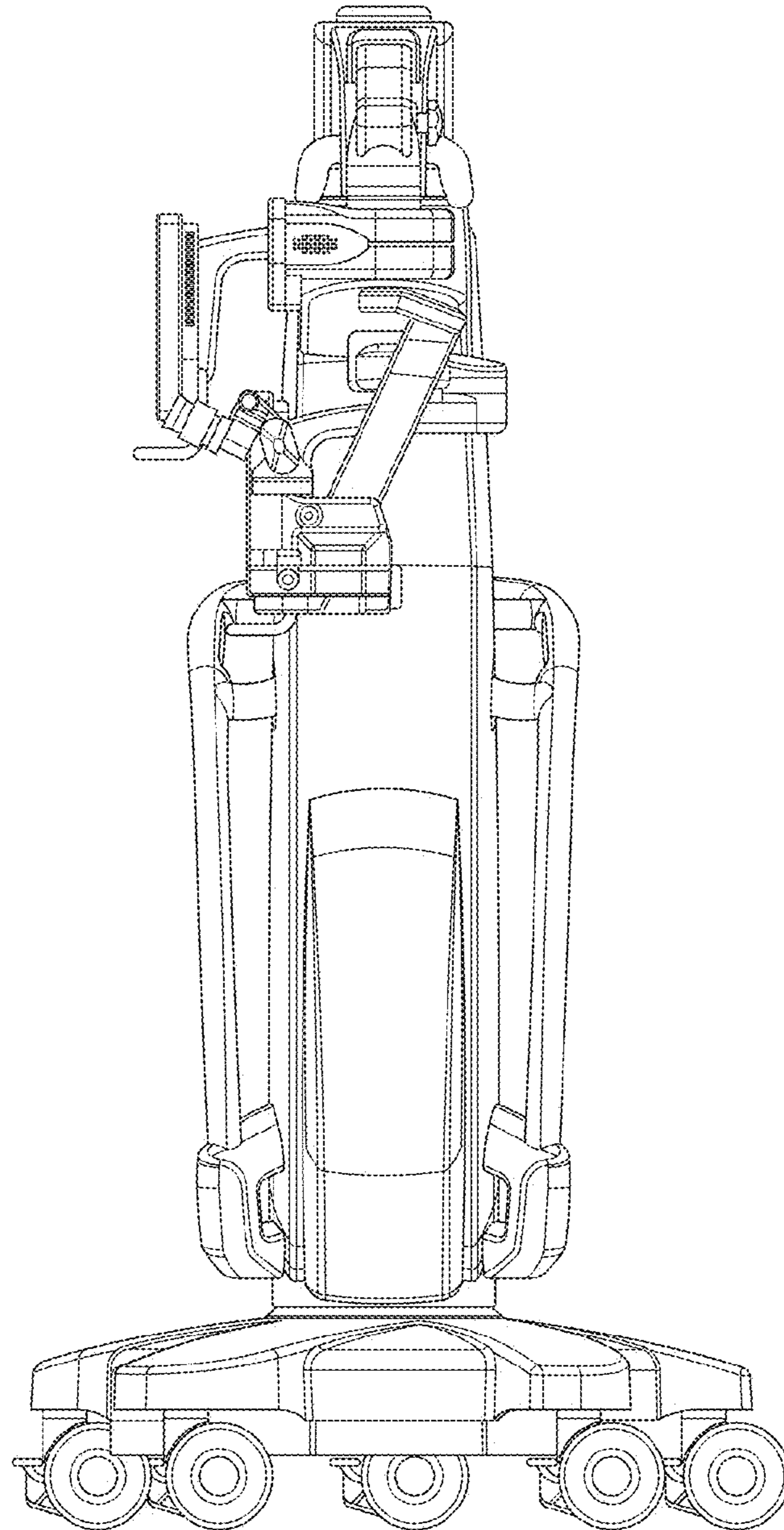


FIG. 2

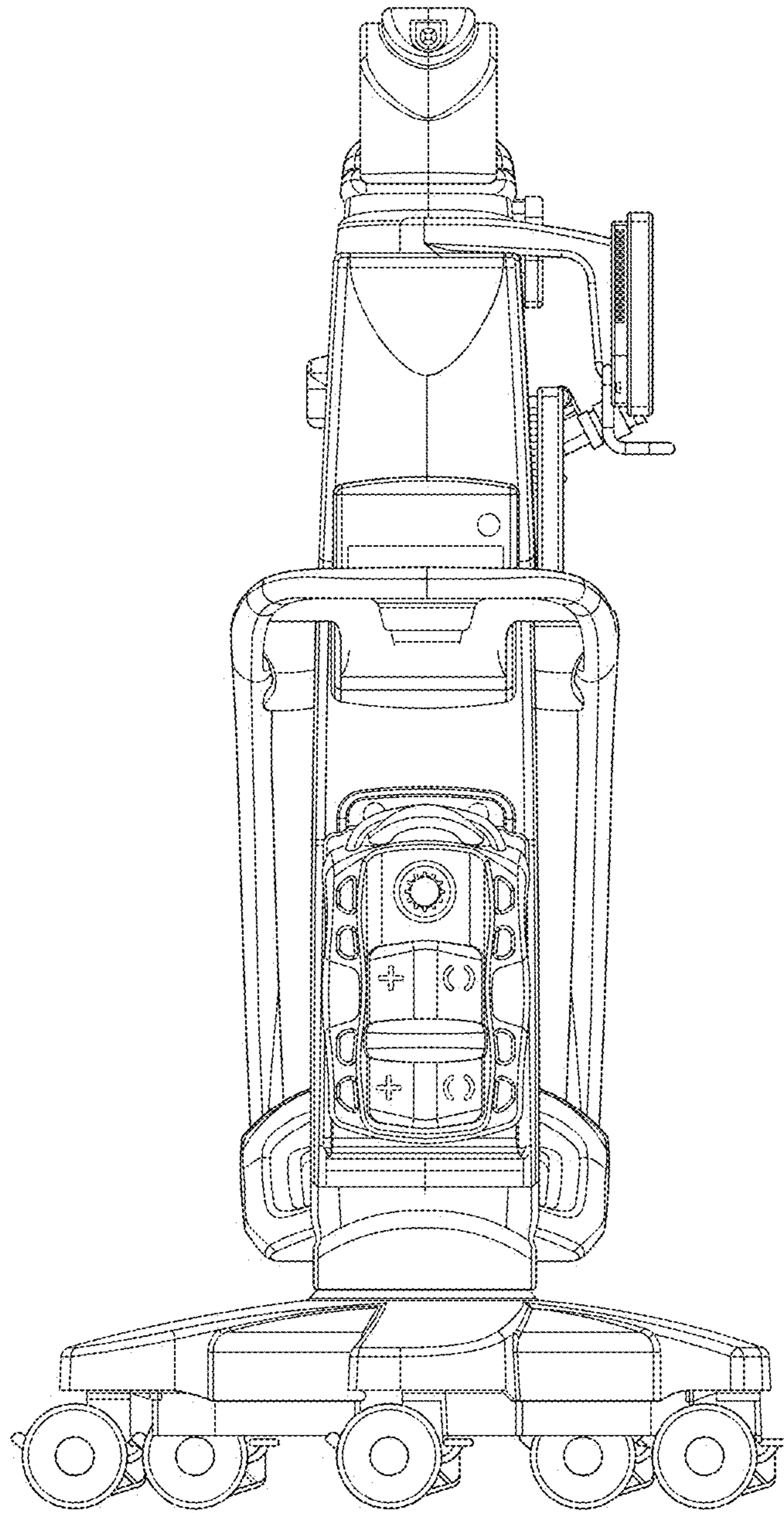


FIG. 3

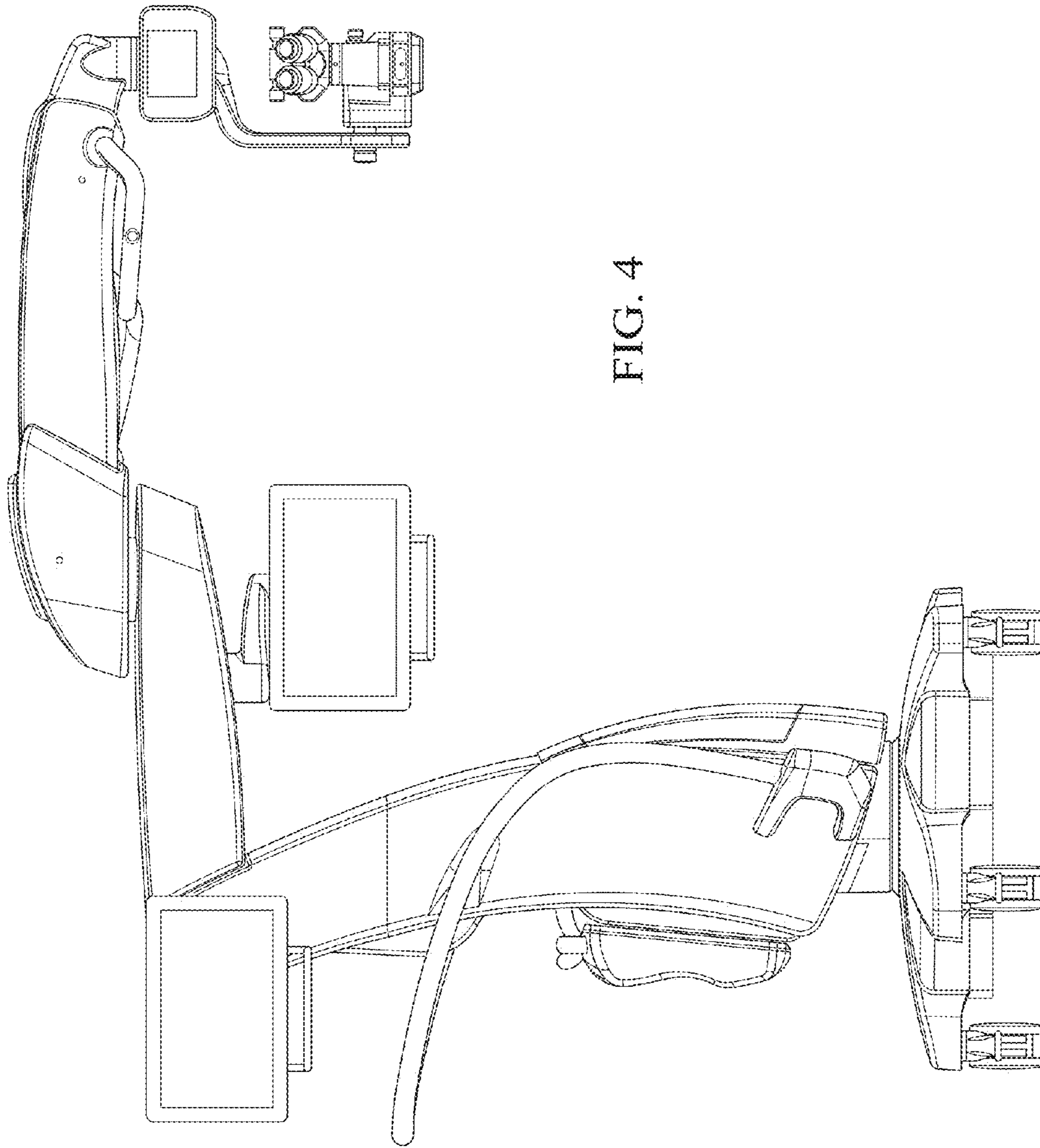


FIG. 4

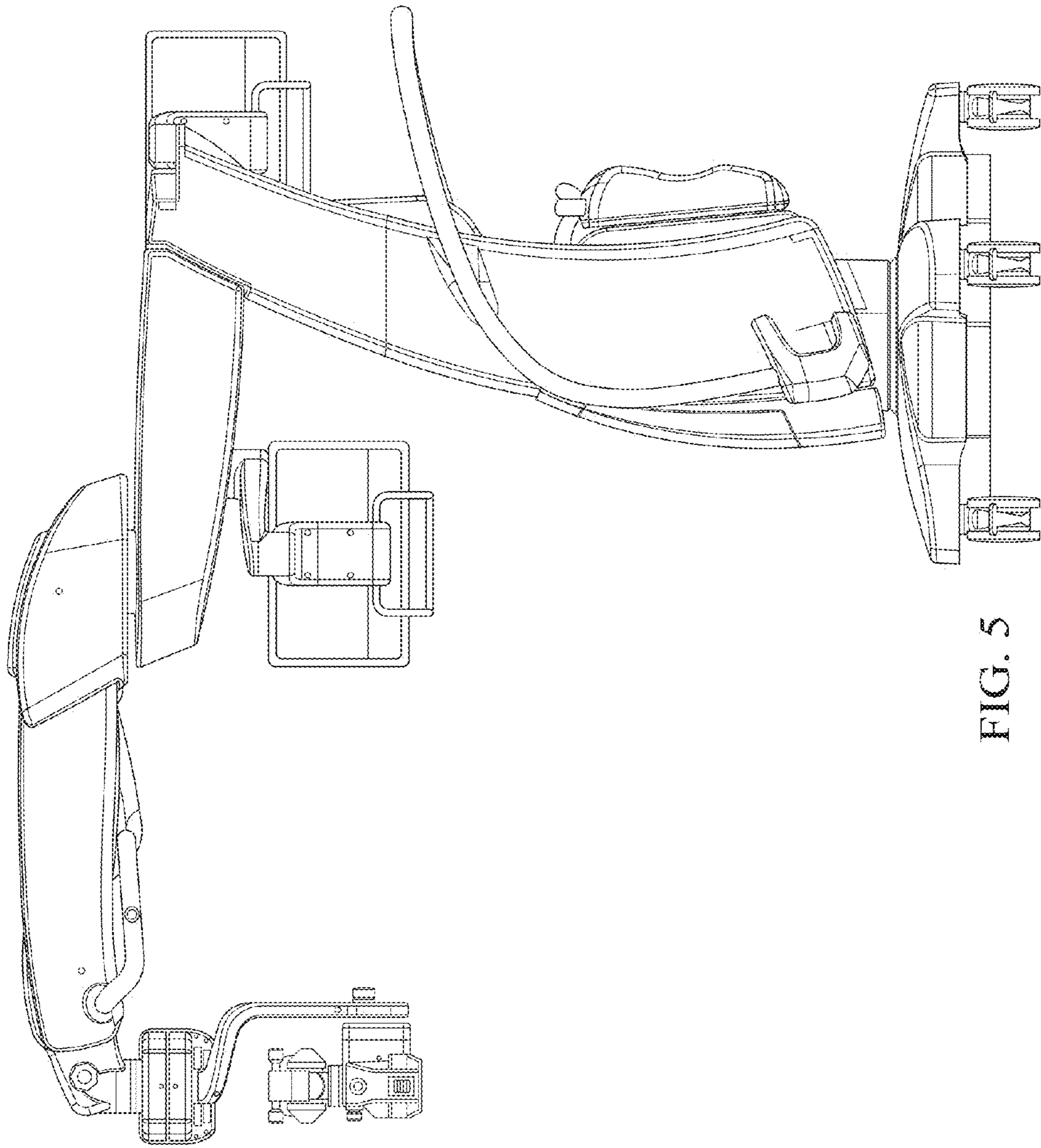


FIG. 5

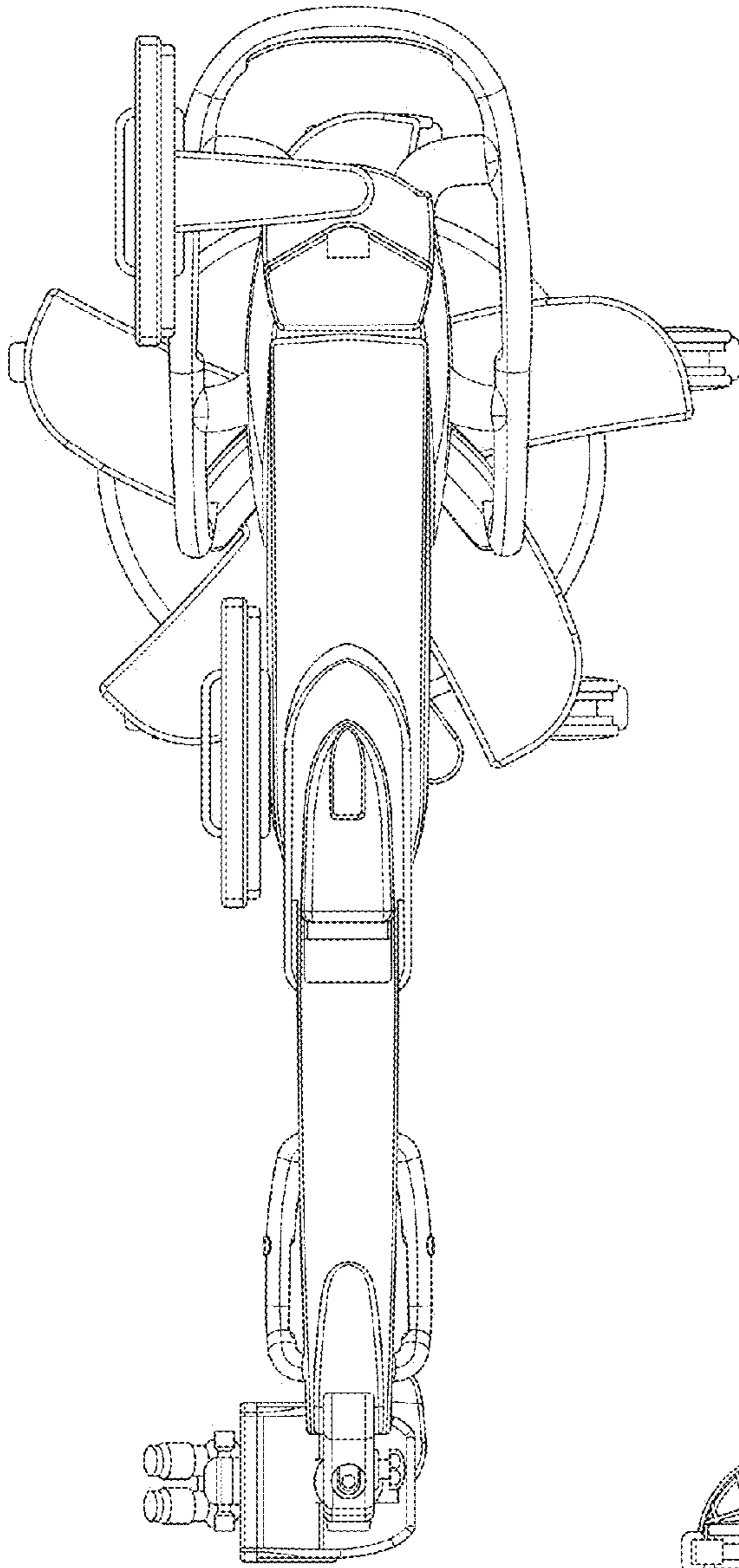


FIG. 6

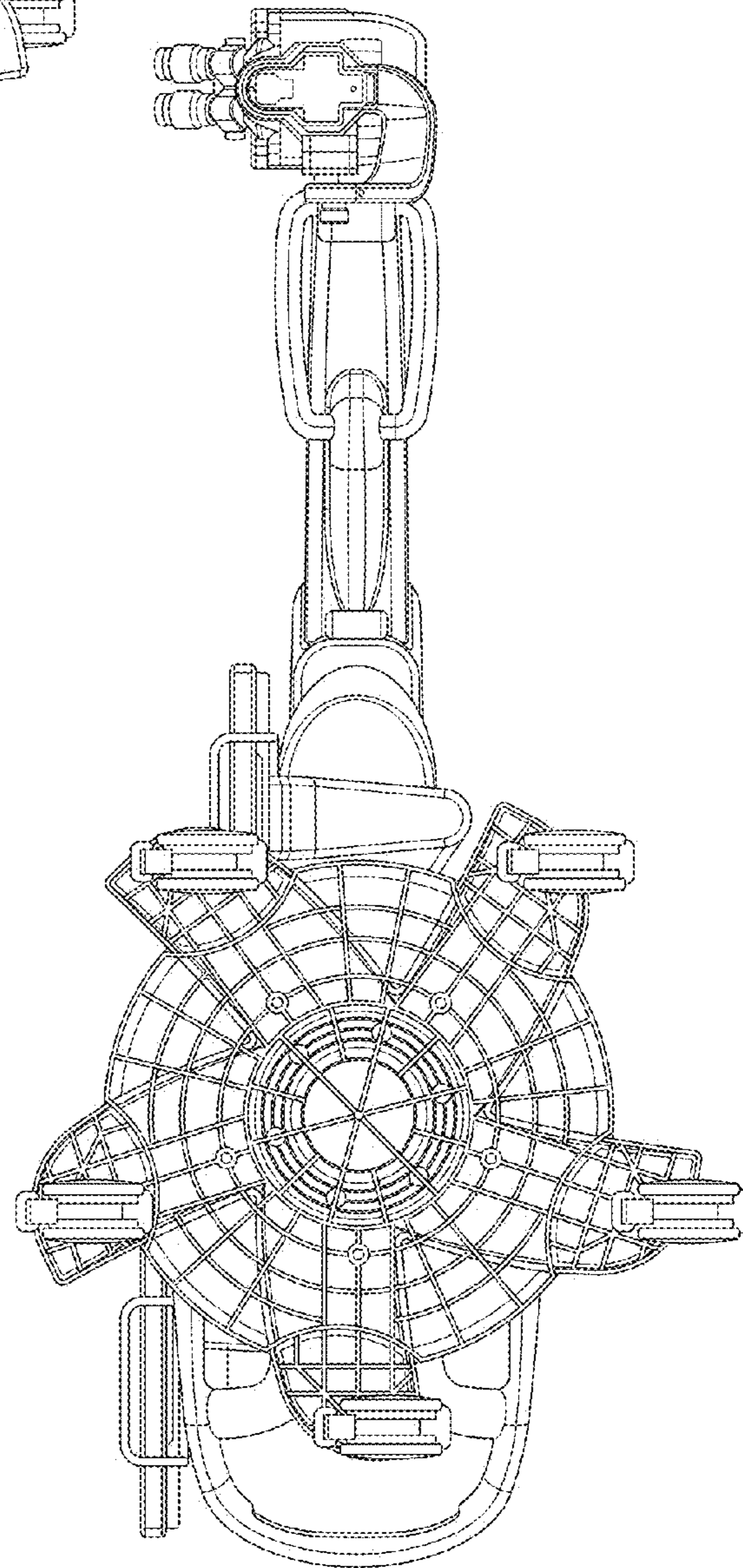


FIG. 7