



US00D743034S

(12) **United States Design Patent**
Ebi

(10) **Patent No.:** **US D743,034 S**

(45) **Date of Patent:** **** Nov. 10, 2015**

(54) **FILTER MEMBER FOR DISCRIMINATING CELLS**

(71) Applicant: **Sysmex Corporation**, Kobe-shi, Hyogo (JP)

(72) Inventor: **Ryuichiro Ebi**, Kobe (JP)

(73) Assignee: **SYSMEX CORPORATION**, Hyogo (JP)

(**) Term: **14 Years**

(21) Appl. No.: **29/485,953**

(22) Filed: **Mar. 25, 2014**

(30) **Foreign Application Priority Data**

Sep. 26, 2013 (JP) 2013-022279

(51) **LOC (10) Cl.** **24-00**

(52) **U.S. Cl.**
USPC **D24/162**

(58) **Field of Classification Search**
USPC D24/162, 216, 110.4, 110.1, 110, 110.6,
D24/164; 128/201.25, 206.15, 206.17,
128/206.16; D23/209, 365
CPC A62B 17/04; A62B 18/10; A62B 23/02;
A61M 16/0497
See application file for complete search history.

(56) **References Cited**

U.S. PATENT DOCUMENTS

D463,027 S * 9/2002 Drocourt et al. D24/162
D472,636 S * 4/2003 Haynes D24/162

D475,461 S * 6/2003 Takagi et al. D24/162
D602,558 S * 10/2009 Beams et al. D23/209
D620,075 S * 7/2010 Yamaguchi et al. D23/209
D634,429 S * 3/2011 Nordgren et al. D24/164
D636,878 S * 4/2011 Lee D24/162
D681,816 S * 5/2013 Taylor et al. D24/162
D690,813 S * 10/2013 Bizzell et al. D24/162
D692,556 S * 10/2013 Winter D24/110.6
D693,467 S * 11/2013 Doucette et al. D24/162
D717,462 S * 11/2014 Wainwright et al. D24/216

* cited by examiner

Primary Examiner — Holly Baynham

Assistant Examiner — Rhea Shields

(74) *Attorney, Agent, or Firm* — Brinks Gilson & Lione

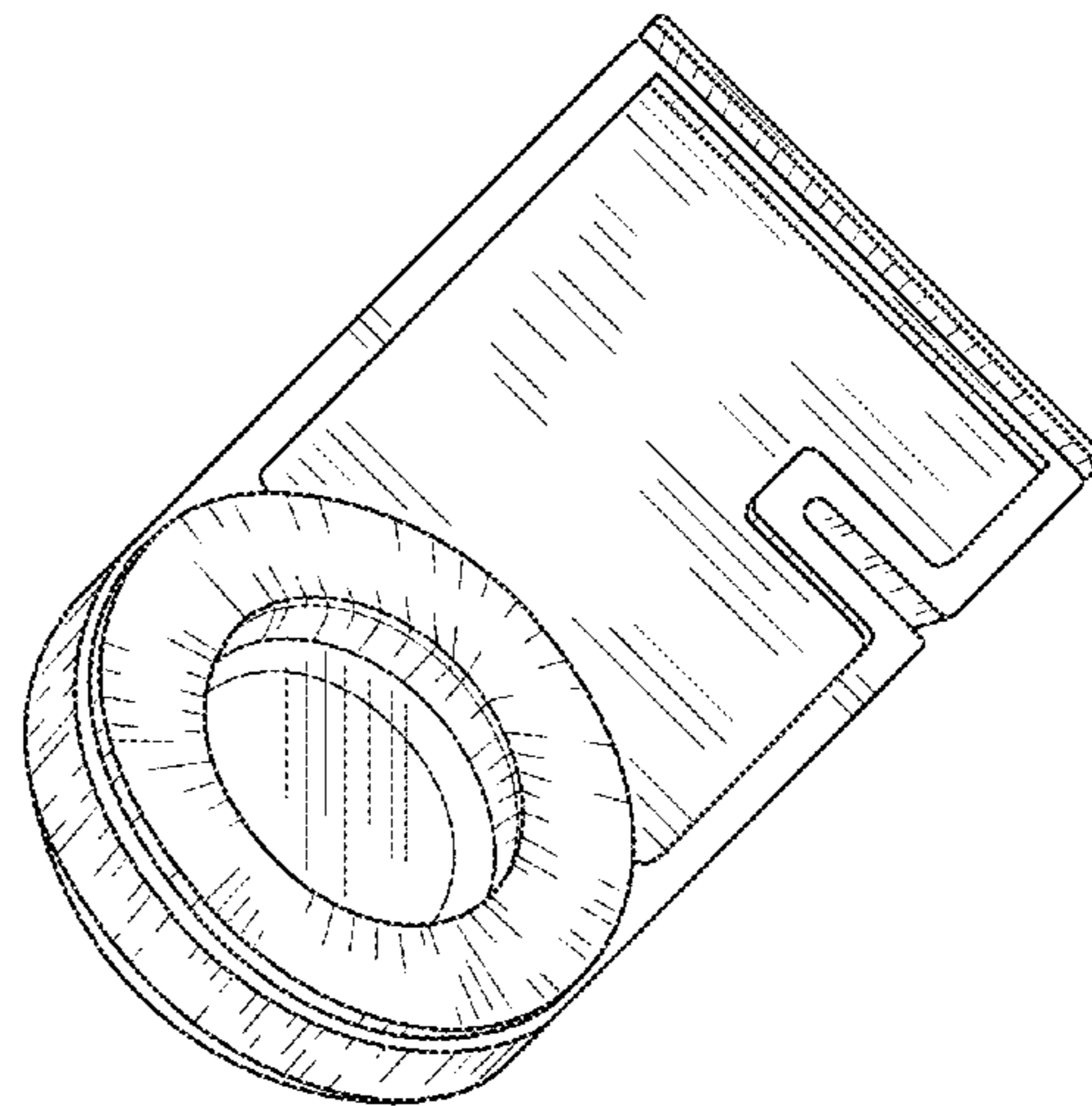
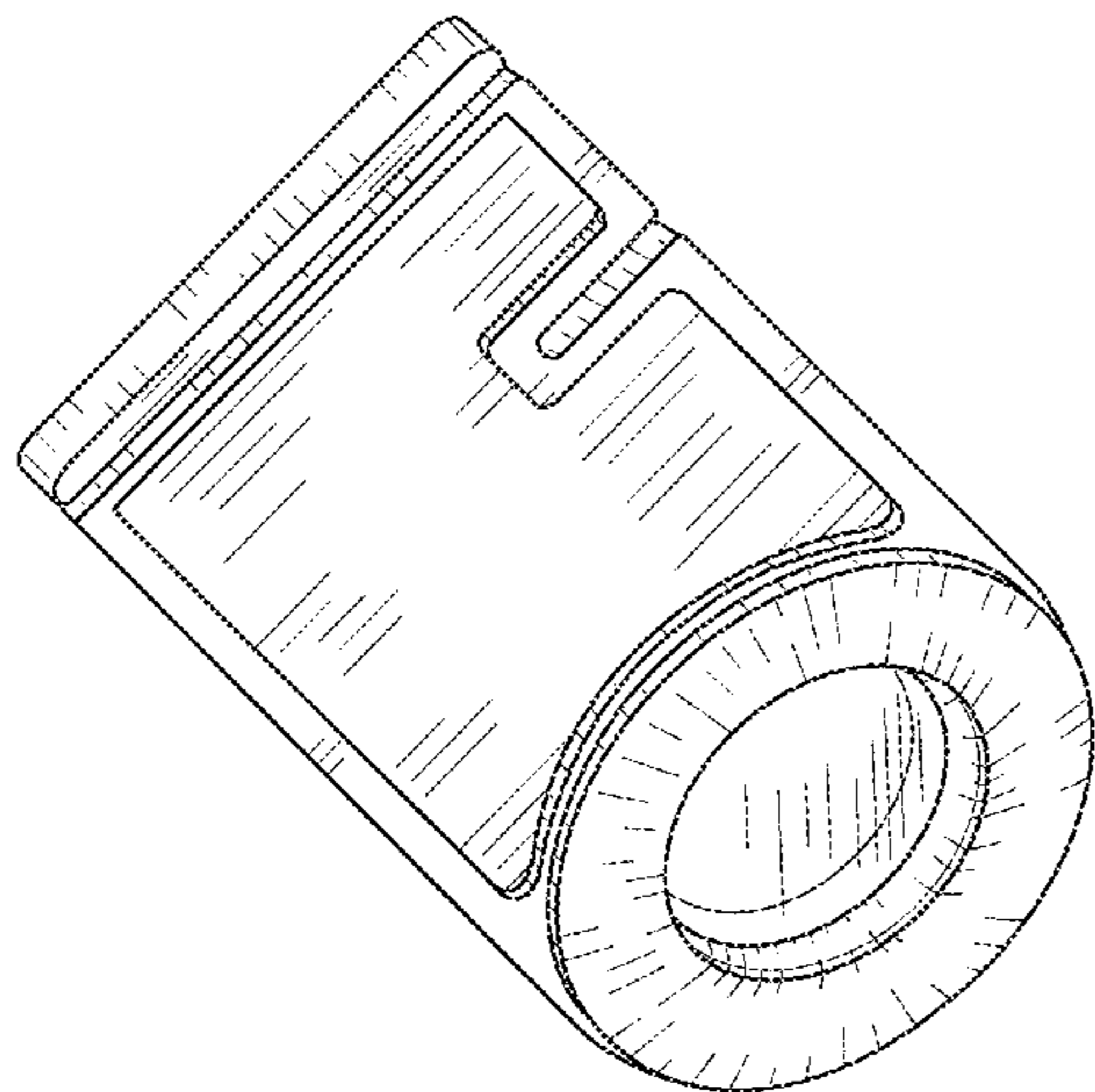
(57) **CLAIM**

I claim the ornamental design for a filter member for discriminating cells, as shown and described.

DESCRIPTION

FIG. 1 is a front and top perspective view of a filter member for discriminating cells of the present invention;
FIG. 2 is a front and bottom perspective view thereof;
FIG. 3 is a rear view thereof;
FIG. 4 is a front view thereof;
FIG. 5 is a first side view thereof;
FIG. 6 is a second side view thereof;
FIG. 7 is a top view thereof;
FIG. 8 is a bottom view thereof; and,
FIG. 9 is a front and top perspective view thereof shown in a different environment.
The broken lines shown represent unclaimed subject matter and form no part of the claimed design.

1 Claim, 4 Drawing Sheets



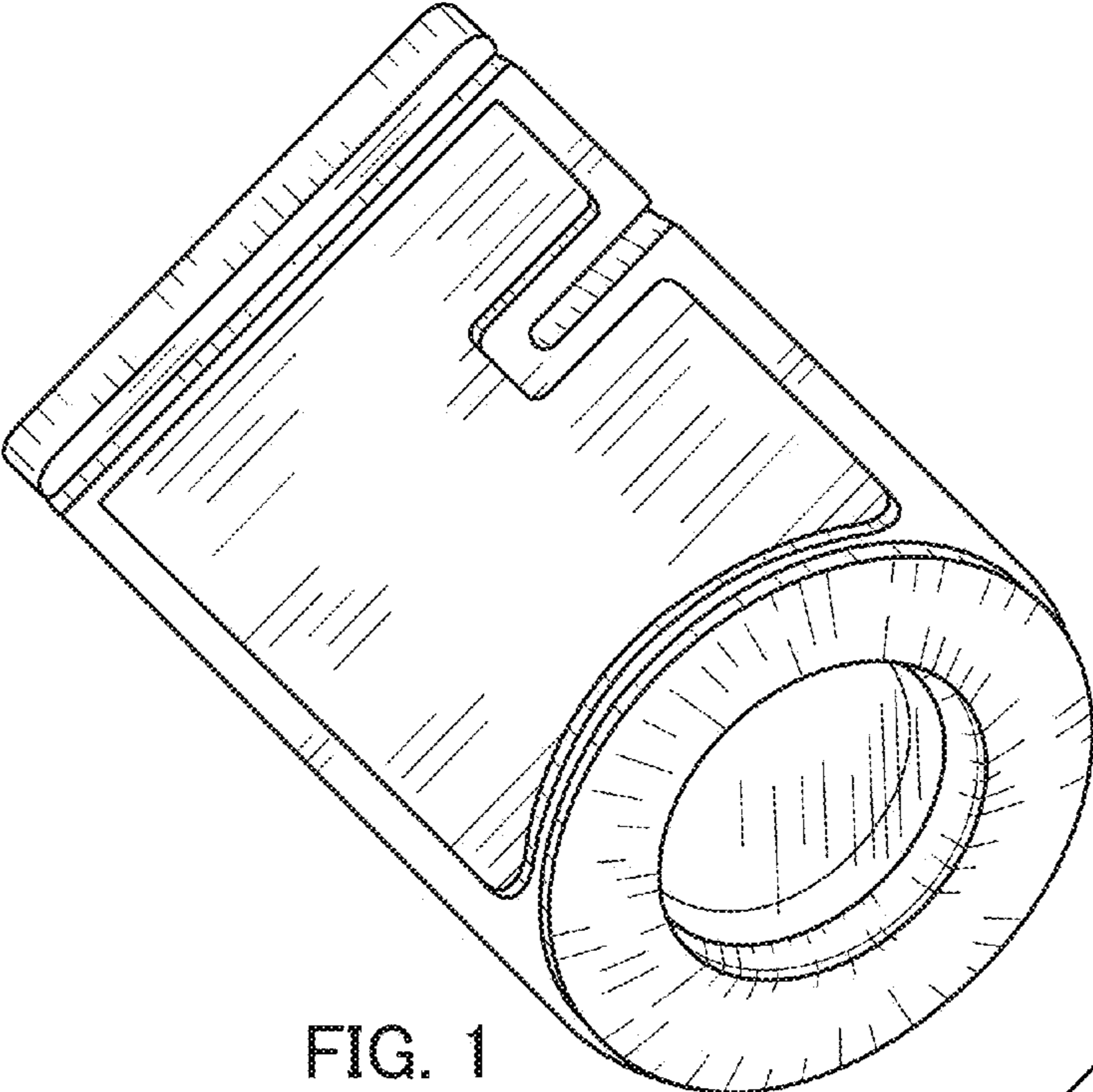


FIG. 1

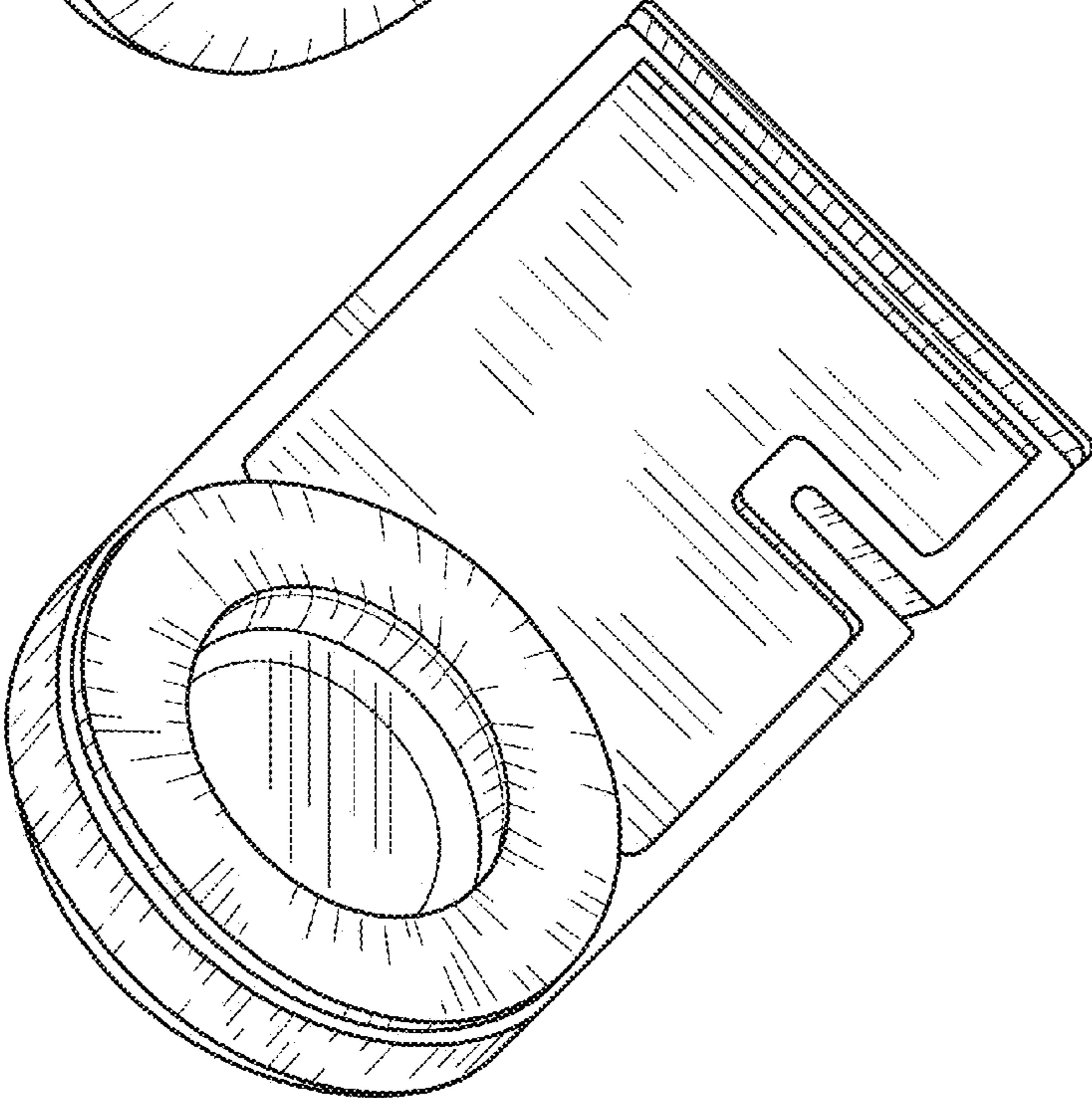


FIG. 2

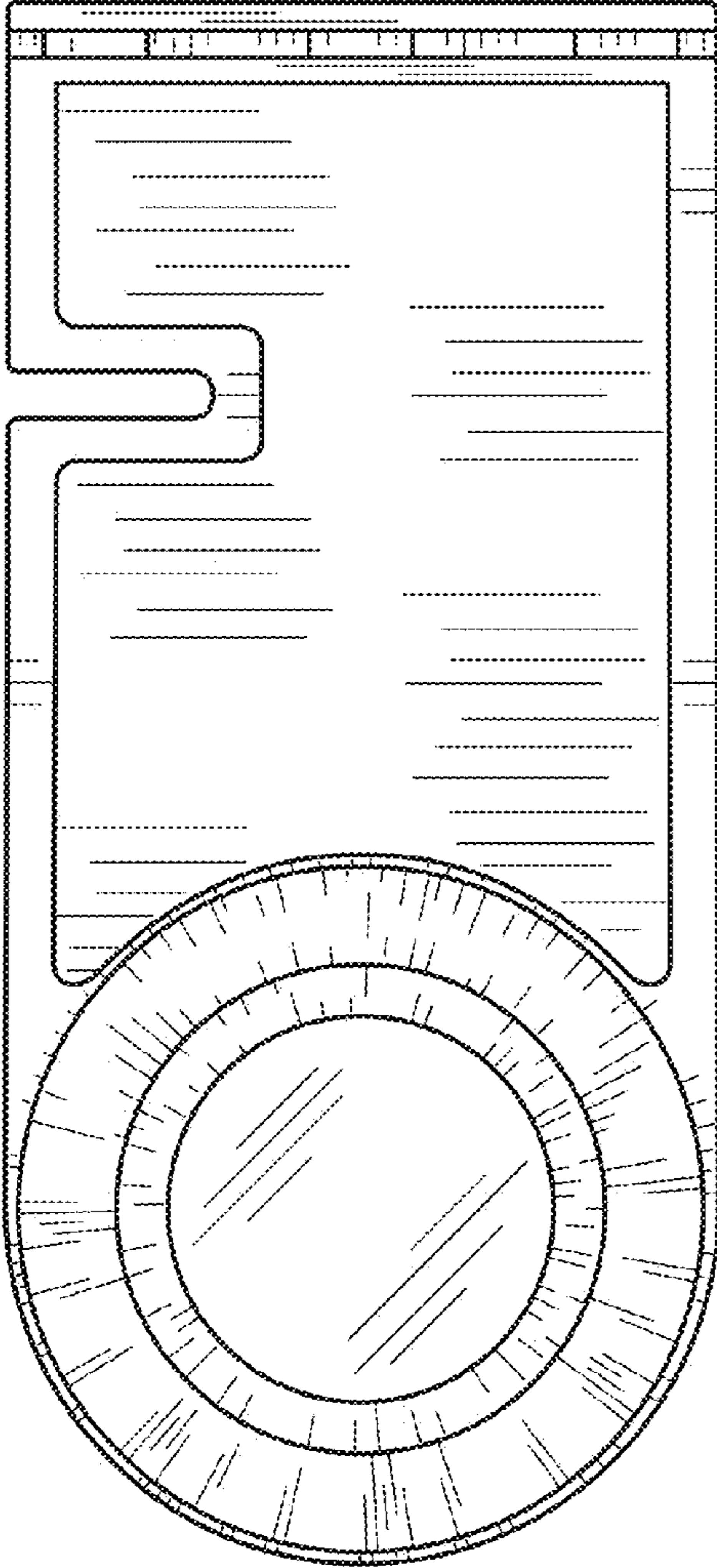


FIG. 3

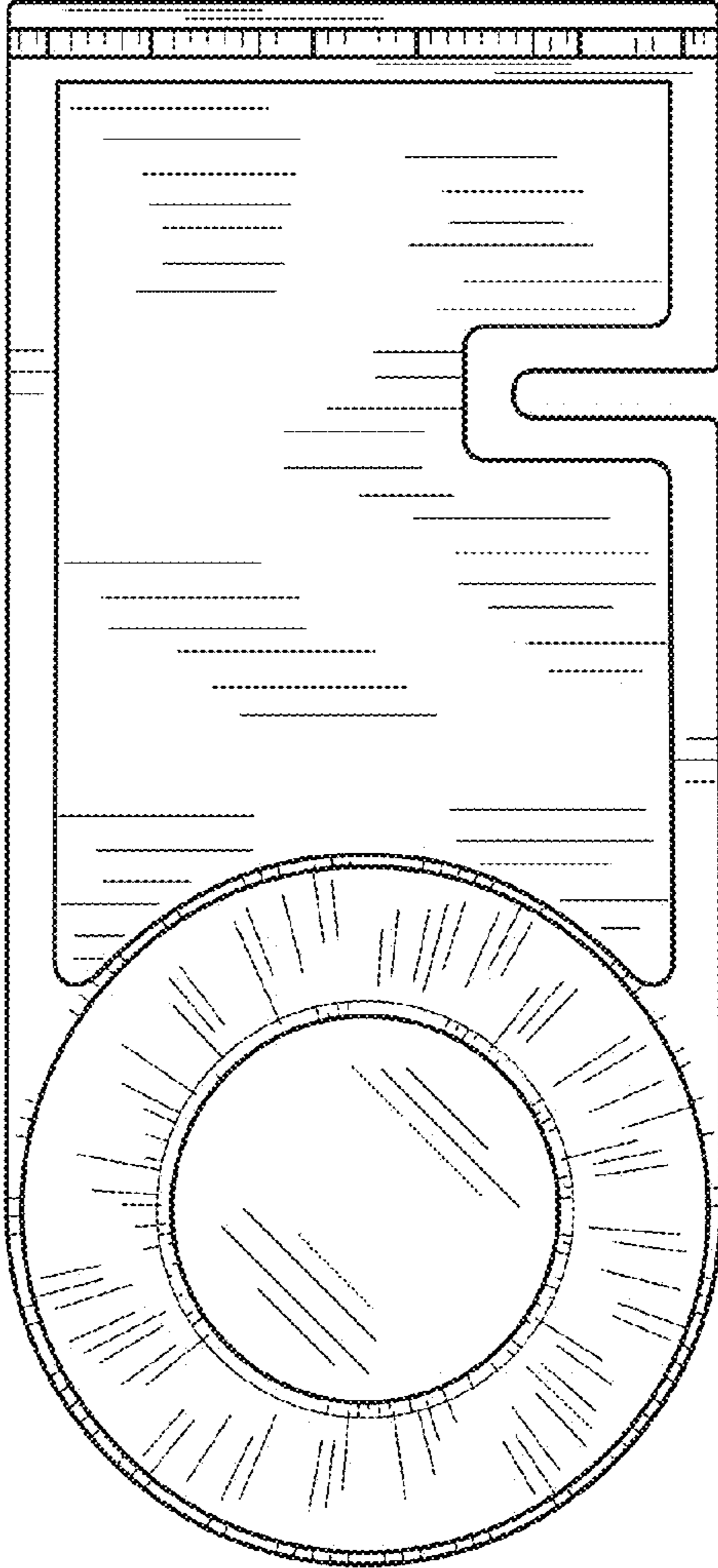


FIG. 4

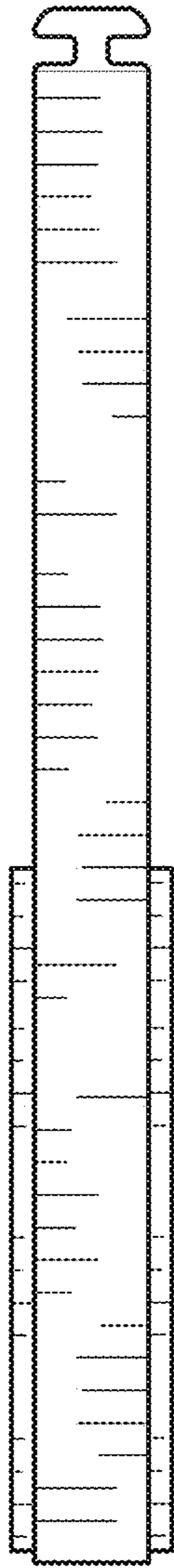


FIG. 5

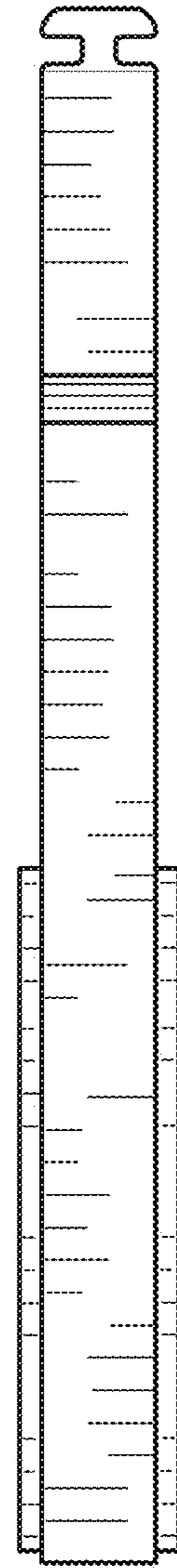


FIG. 6

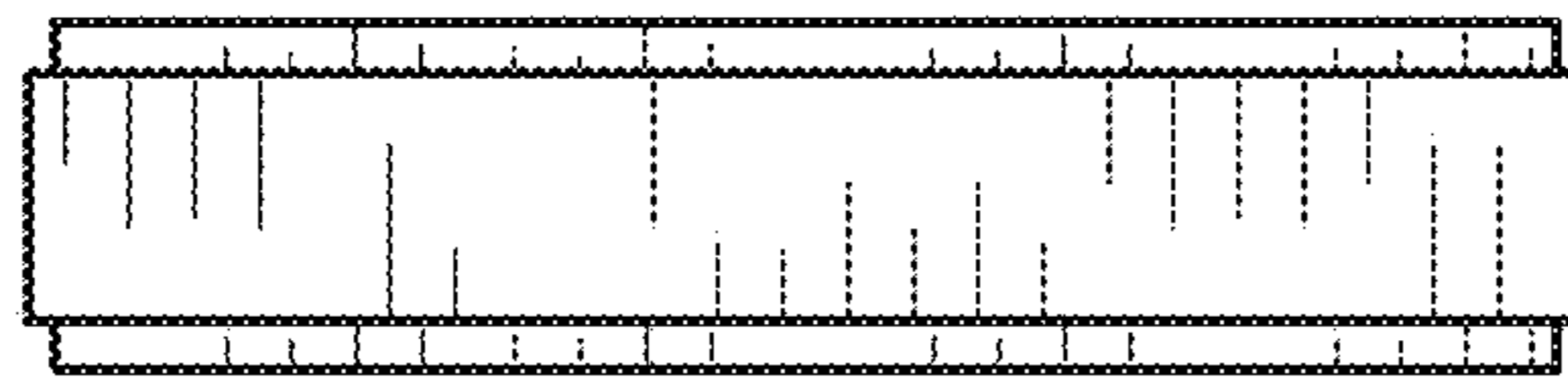


FIG. 7

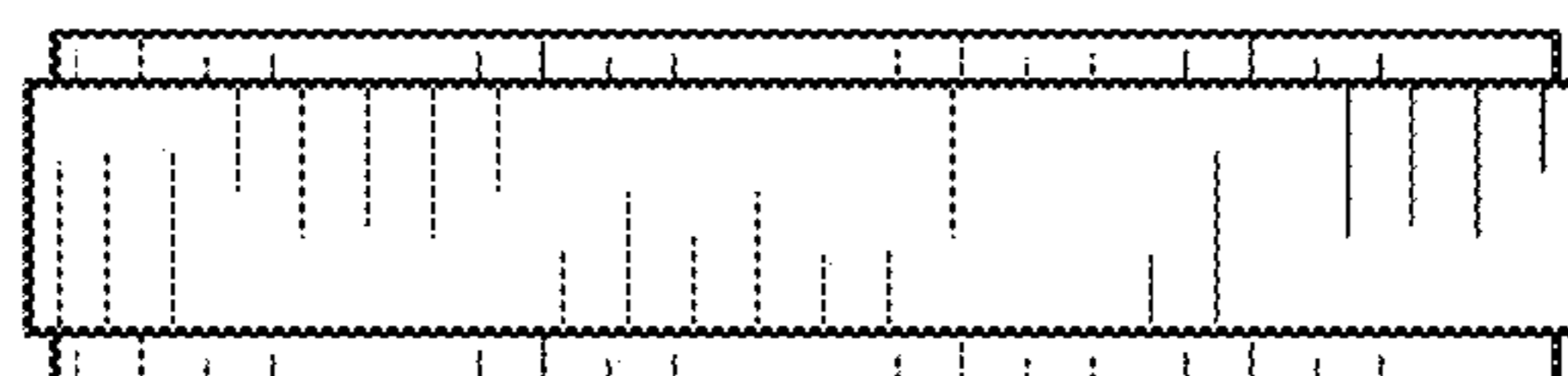


FIG. 8

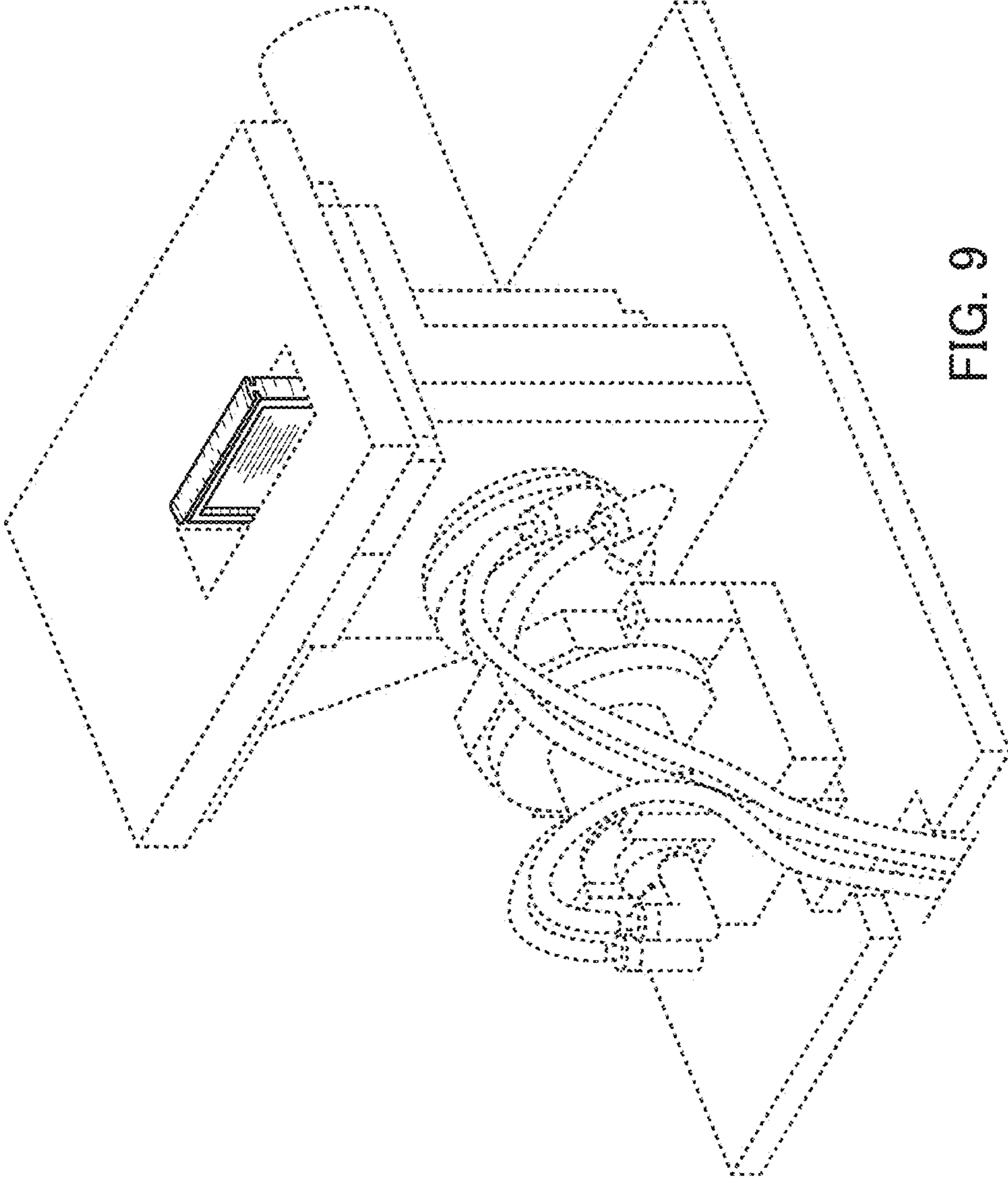


FIG. 9