



US00D743033S

(12) **United States Design Patent**  
**Fisler et al.**

(10) **Patent No.:** **US D743,033 S**  
(45) **Date of Patent:** **\*\* Nov. 10, 2015**

(54) **DENTAL ABUTMENT**  
(71) Applicant: **Nobel Biocare Services AG**, Kloten (CH)  
(72) Inventors: **Jonas Fisler**, Winterthur (CH); **Inaki Gamborena**, San Sebastian (ES)  
(73) Assignee: **Nobel Biocare Services AG**, Kloten (CH)  
(\*\*) Term: **14 Years**

4,519,662 A 5/1985 Riley et al.  
4,820,159 A 4/1989 Weissman  
4,854,871 A 8/1989 Weissman  
D321,560 S 11/1991 Miller  
D342,314 S 12/1993 Miller  
D358,212 S 5/1995 Sullivan  
D366,115 S 1/1996 Sullivan  
5,669,772 A 9/1997 Musikant et al.  
5,775,910 A 7/1998 Orrico  
6,450,815 B1 9/2002 Weisman  
D507,650 S \* 7/2005 Teich ..... D24/156  
6,979,163 B2 \* 12/2005 Brletich et al. .... 411/418  
6,981,871 B2 \* 1/2006 Mullaly et al. .... 433/172  
7,306,461 B2 12/2007 Bell

(21) Appl. No.: **29/514,163**  
(22) Filed: **Jan. 8, 2015**

**Related U.S. Application Data**

(62) Division of application No. 29/474,269, filed on Jul. 29, 2014, now Pat. No. Des. 732,669.

**Foreign Application Priority Data**

Feb. 7, 2014 (EM) ..... 002400952-0001  
Feb. 7, 2014 (EM) ..... 002400952-0002

(51) **LOC (10) Cl.** ..... **24-02**  
(52) **U.S. Cl.**  
USPC ..... **D24/156**

(58) **Field of Classification Search**  
USPC ..... D24/155-157  
CPC .. A61C 8/0089; A61C 8/0069; A61C 8/0054;  
A61C 8/00; A61C 8/0096; A61C 8/0039;  
A61C 8/0063; A61C 8/006; A61C 8/0001;  
A61C 8/0012; A61C 8/0075; A61C 13/225  
See application file for complete search history.

**References Cited**

**U.S. PATENT DOCUMENTS**

4,290,755 A 9/1981 Scott  
D273,984 S 5/1984 Vlock

(Continued)

**OTHER PUBLICATIONS**

U.S. Appl. No. 29/474,269, filed Jul. 29, 2014, Fisler et al.

(Continued)

*Primary Examiner* — Susan Bennett Hattan  
*Assistant Examiner* — Charles Hanson

(74) *Attorney, Agent, or Firm* — Knobbe Martens Olson & Bear LLP

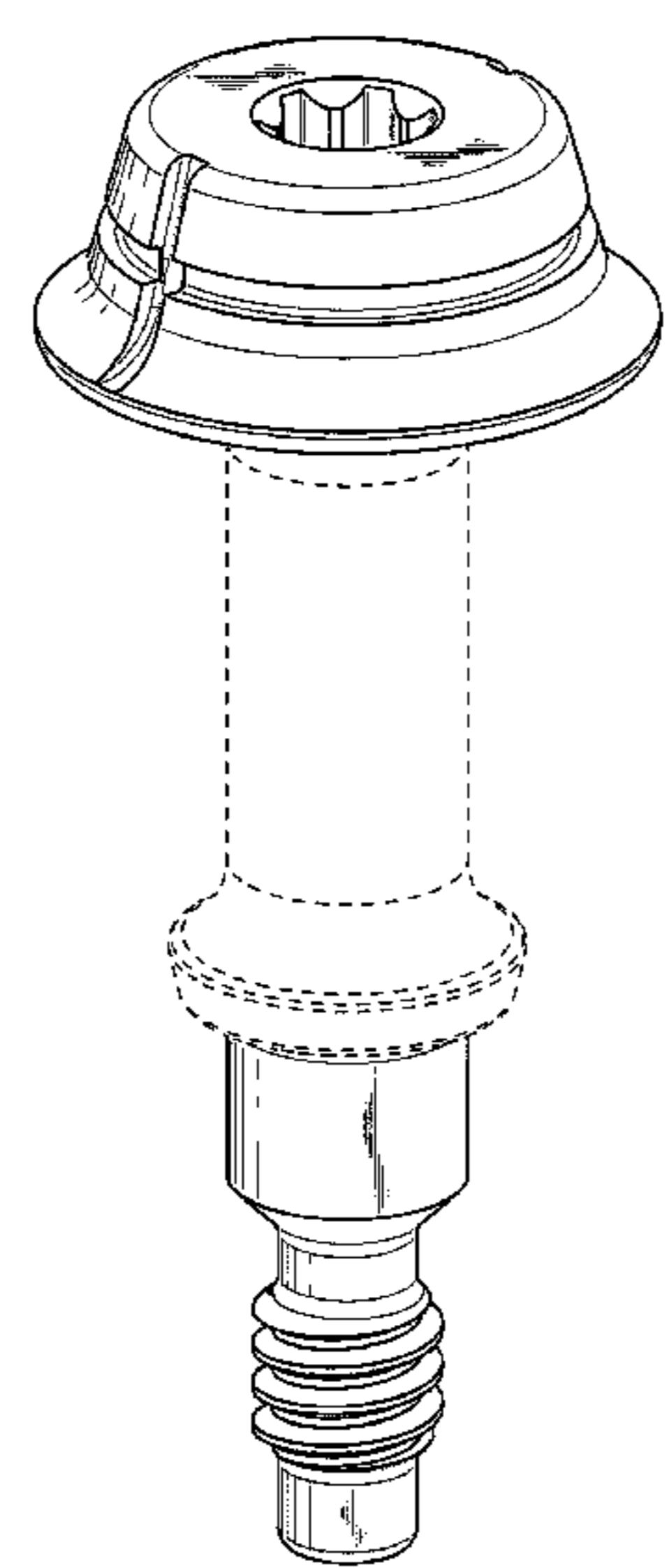
**CLAIM**

(57) The ornamental design for a dental abutment, as shown and described.

**DESCRIPTION**

FIG. 1 is a top perspective view of a dental abutment embodying the new design.  
FIG. 2 is a first side view thereof.  
FIG. 3 is a second side view thereof.  
FIG. 4 is a third side view thereof.  
FIG. 5 is a fourth side view thereof.  
FIG. 6 is a bottom view thereof; and,  
FIG. 7 is a top view thereof.  
Broken lines are used to illustrate features of the dental abutment which form no part of the claimed design.

**1 Claim, 6 Drawing Sheets**



(56)

**References Cited**

U.S. PATENT DOCUMENTS

D567,378 S 4/2008 Nordahl et al.  
D574,958 S \* 8/2008 Schendel et al. .... D24/156  
D588,271 S \* 3/2009 Schendel et al. .... D24/156  
8,038,445 B2 \* 10/2011 Brajnovic et al. .... 433/215  
D652,929 S 1/2012 Sibhatu et al.  
D722,866 S \* 2/2015 Campbell ..... D8/387  
D729,387 S \* 5/2015 Sicurelli et al. .... D24/156  
D730,523 S \* 5/2015 Sicurelli ..... D24/156  
D732,668 S \* 6/2015 Fisler et al. .... D24/156  
D732,669 S \* 6/2015 Fisler et al. .... D24/156

9,089,384 B1 \* 7/2015 Sampson  
2003/0113691 A1 6/2003 Ben-Yaakov et al.  
2003/0219700 A1 11/2003 Lax  
2003/0235805 A1 12/2003 Lax  
2011/0269105 A1 \* 11/2011 Jahn ..... 433/174  
2013/0071814 A1 3/2013 Boehner et al.  
2013/0089835 A1 4/2013 Jensen et al.  
2013/0108984 A1 5/2013 Zipprich

OTHER PUBLICATIONS

U.S. Appl. No. 29/474,268, filed Jul. 29, 2014, Fisler et al.

\* cited by examiner

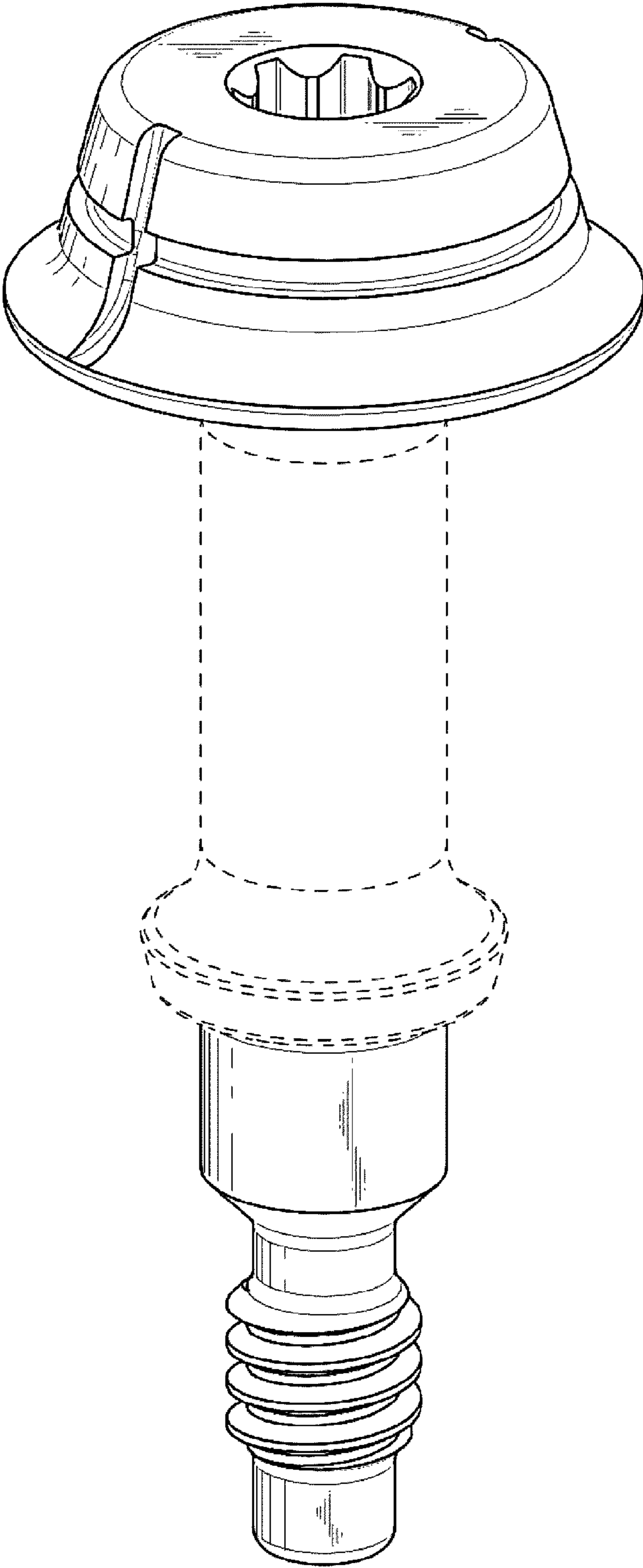


FIG. 1

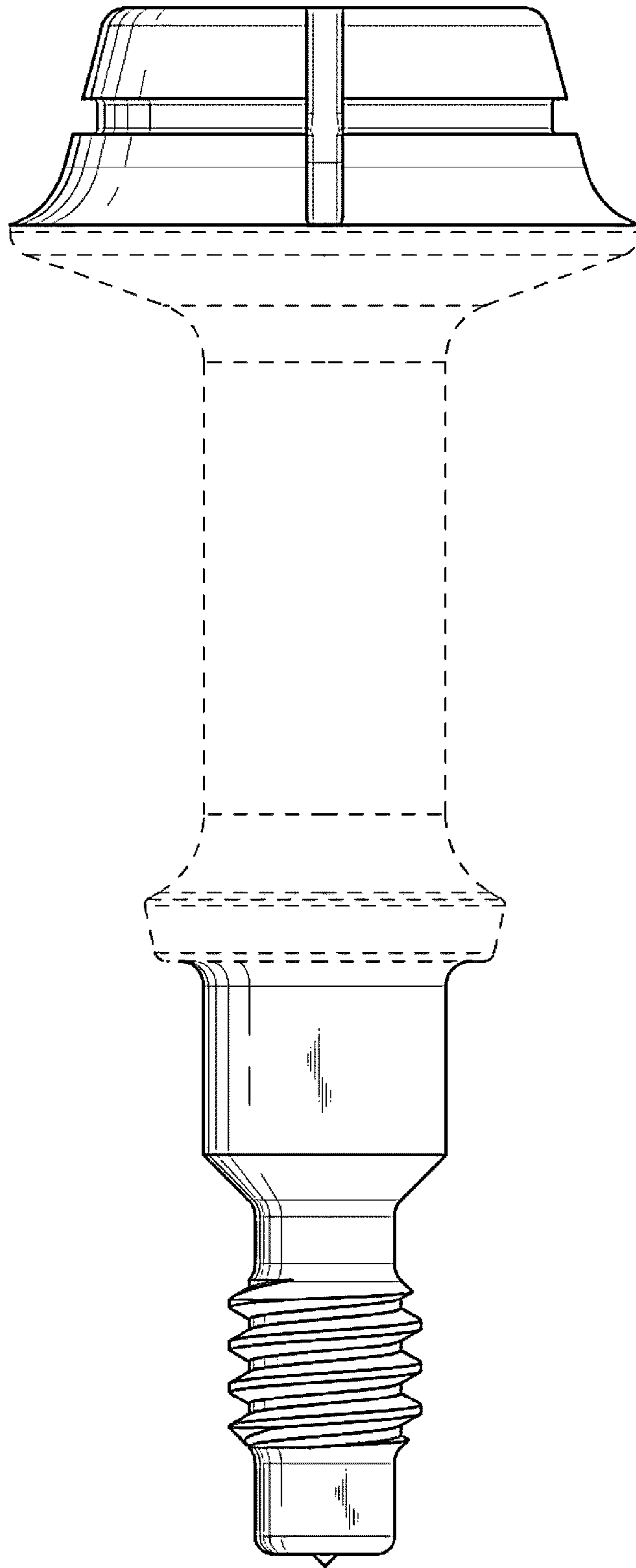


FIG. 2

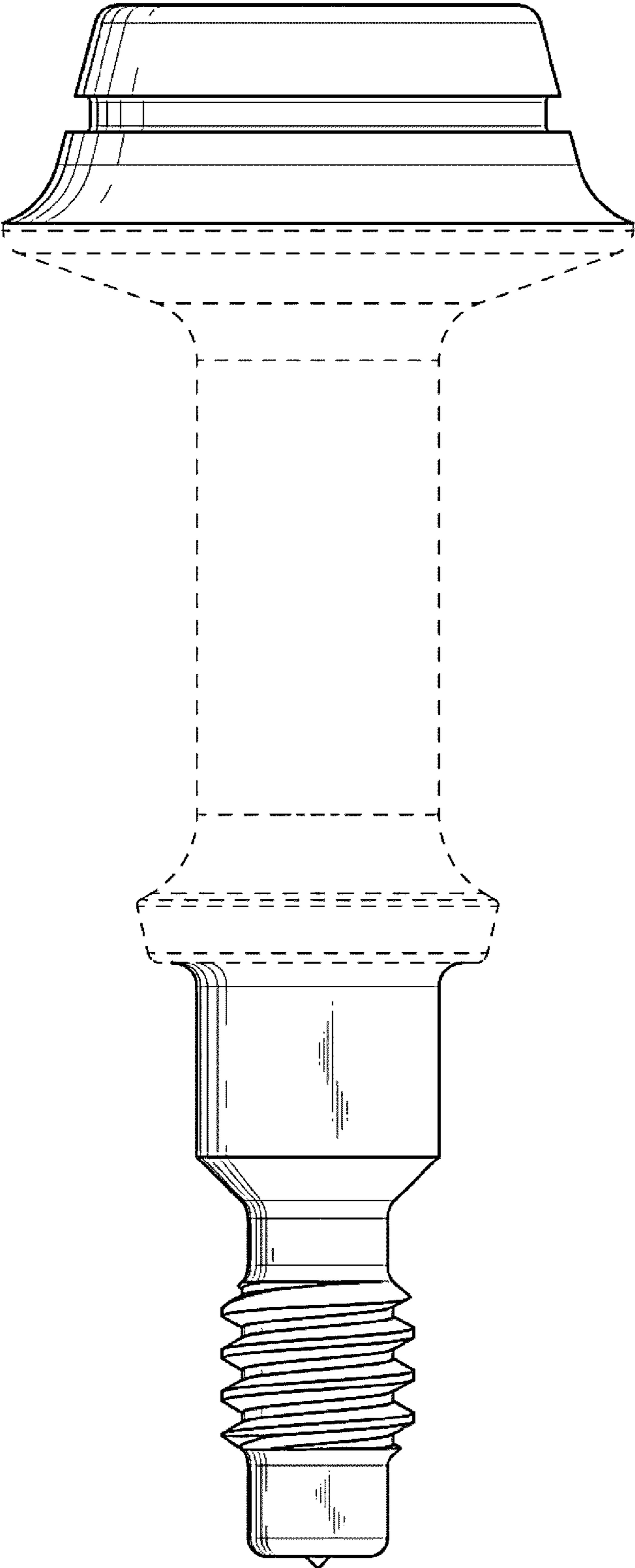


FIG. 3

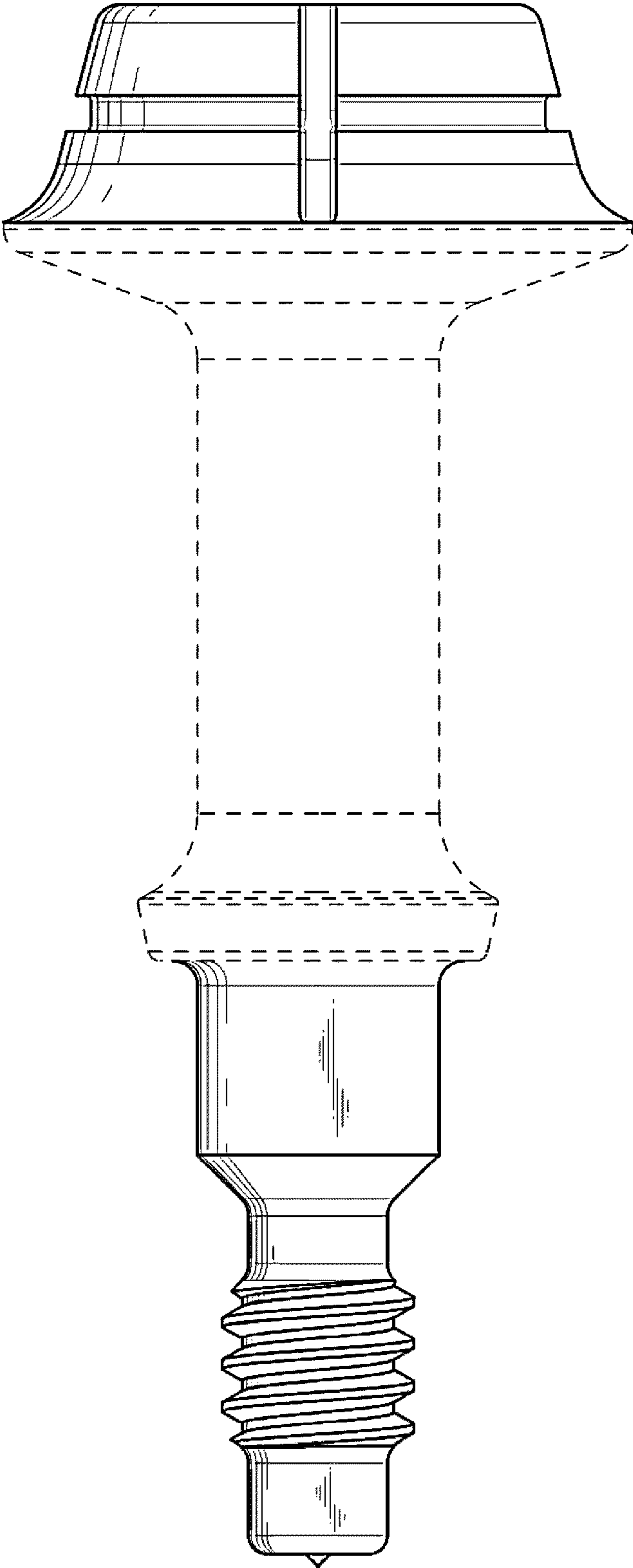
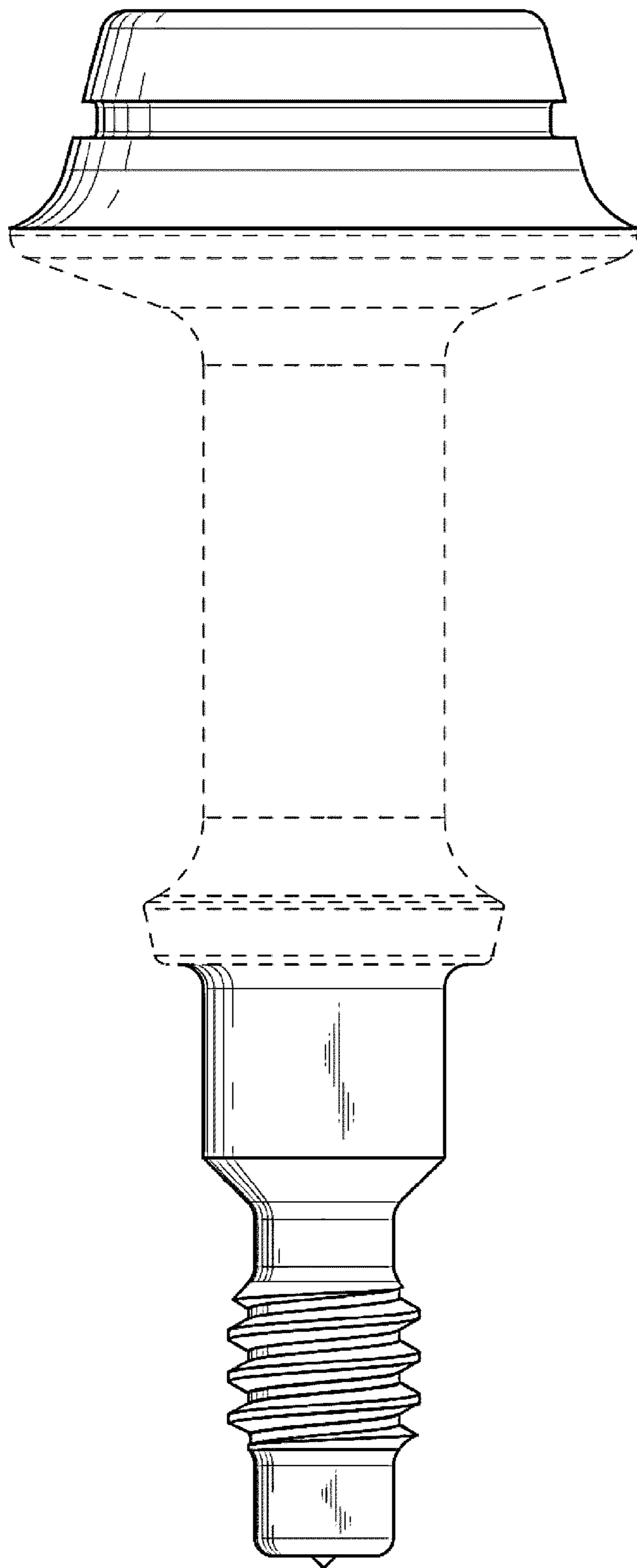
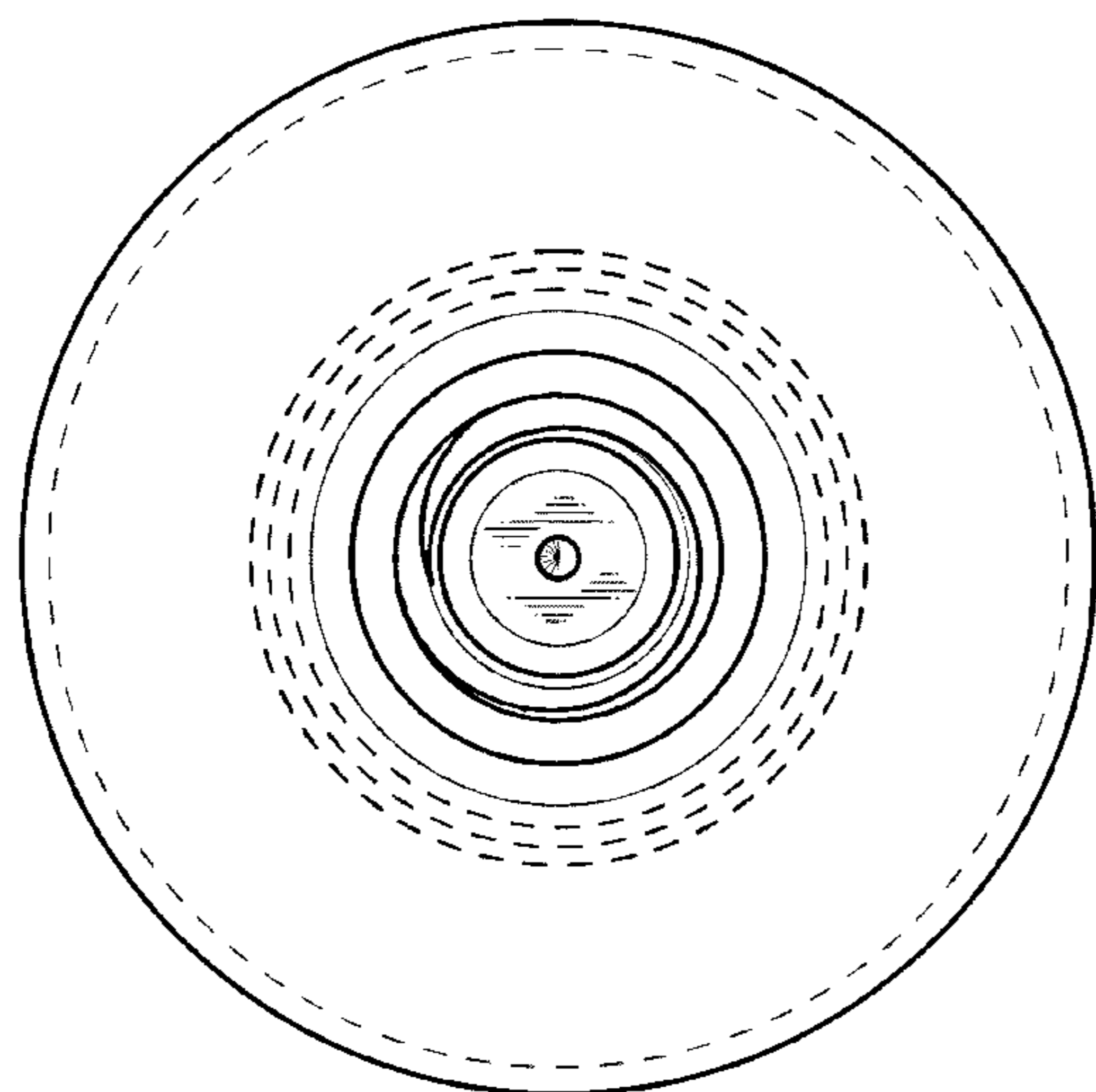


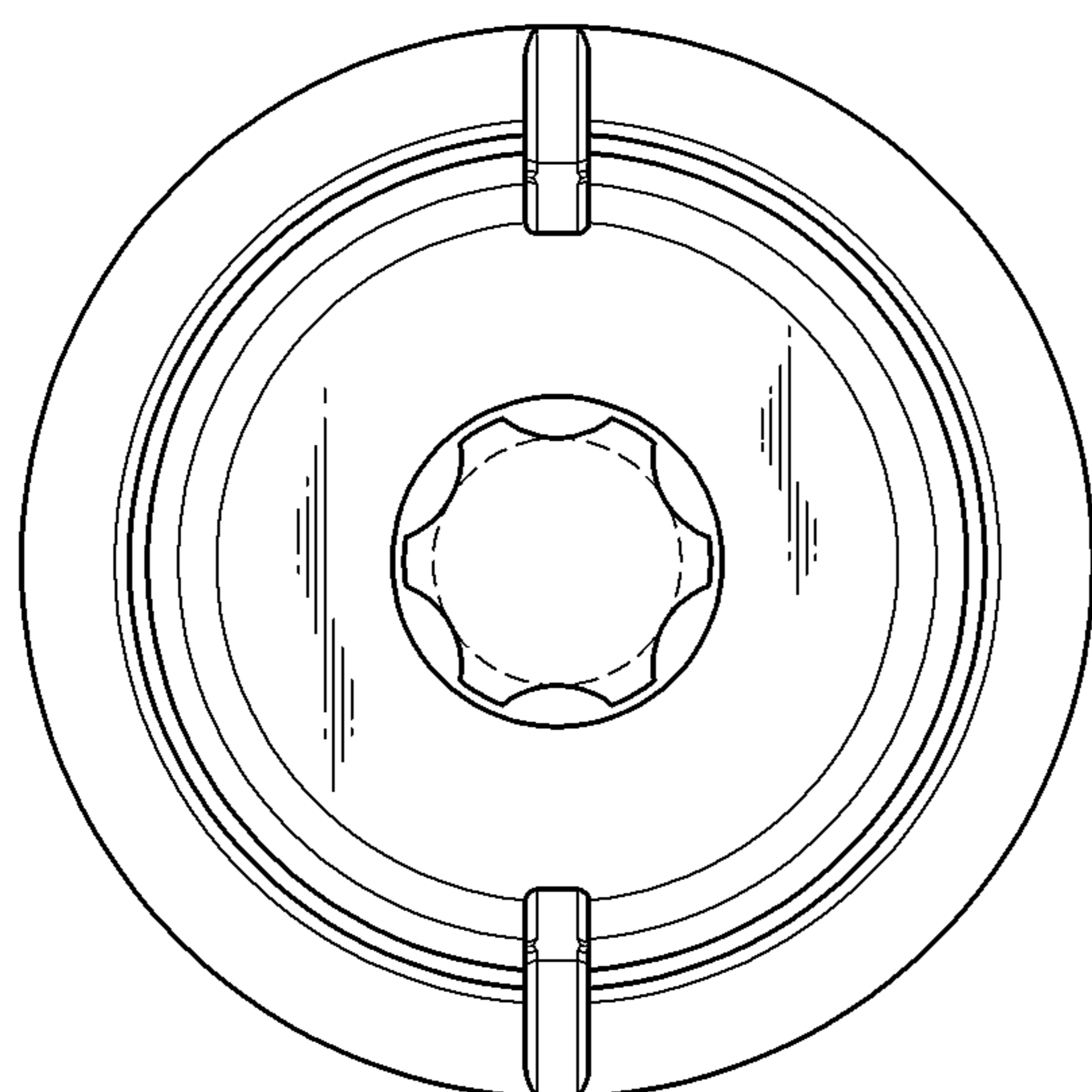
FIG. 4



*FIG. 5*



*FIG. 6*



*FIG. 7*