



US00D743029S

(12) **United States Design Patent**  
**Mesle**

(10) **Patent No.:** **US D743,029 S**

(45) **Date of Patent:** **\*\* Nov. 10, 2015**

(54) **ENDOSCOPE**

(71) Applicant: **KARL STORZ GmbH & Co. KG,**  
Tuttlingen (DE)

(72) Inventor: **Isolde Mesle,** Durchhausen (DE)

(73) Assignee: **KARL STORZ GmbH & Co. KG,**  
Tuttlingen (DE)

(\*\*) Term: **14 Years**

(21) Appl. No.: **29/502,096**

(22) Filed: **Sep. 11, 2014**

(30) **Foreign Application Priority Data**

Mar. 11, 2014 (EM) ..... 002422295-0001

(51) **LOC (10) Cl.** ..... **24-02**

(52) **U.S. Cl.**  
USPC ..... **D24/138**

(58) **Field of Classification Search**  
USPC ..... D24/138, 137, 133, 135, 140;  
600/101-110, 111-120, 121-130,  
600/131-140, 141-150, 151-160, 161-170,  
600/171-183  
CPC .. A61B 1/00; A61B 1/00064; A61B 1/00066;  
A61B 1/0669  
See application file for complete search history.

(56) **References Cited**

**U.S. PATENT DOCUMENTS**

5,031,603 A \* 7/1991 Gautier ..... A61B 1/307  
600/135  
D533,941 S \* 12/2006 Furst ..... D24/137  
D534,276 S \* 12/2006 Michel ..... D24/137  
D548,340 S \* 8/2007 Michel ..... D24/137  
D583,470 S \* 12/2008 Kupferschmid ..... D24/138  
D583,471 S \* 12/2008 Kupferschmid ..... D24/138  
D629,899 S \* 12/2010 Meinero ..... D24/137  
7,935,049 B2 \* 5/2011 Michel ..... A61B 1/012  
600/105

D663,837 S \* 7/2012 Becker ..... D24/138  
D666,719 S \* 9/2012 Becker ..... D24/138  
D716,942 S \* 11/2014 Eisenkolb ..... D24/138  
D729,384 S \* 5/2015 Renner ..... D24/138  
2005/0049459 A1 \* 3/2005 Hern ..... A61B 1/00094  
600/121  
2005/0234298 A1 \* 10/2005 Kucklick ..... A61B 1/00135  
600/156

**FOREIGN PATENT DOCUMENTS**

EM 000277439-0001 12/2004  
EM 000702956-0001 4/2007  
EM 001651142-0003 12/2009  
EM 001651142-0005 12/2009  
EM 001844184-0002 3/2011

\* cited by examiner

*Primary Examiner* — Wan Laymon

*Assistant Examiner* — Mark Booker

(74) *Attorney, Agent, or Firm* — Muncy, Geissler, Olds & Lowe, P.C.

(57) **CLAIM**

The ornamental design for an endoscope, as shown and described.

**DESCRIPTION**

FIG. 1 is a front perspective view of an endoscope according to the present invention.

FIG. 2 is a right side elevational view of the endoscope of FIG. 1.

FIG. 3 is a left side view of the endoscope of FIG. 1.

FIG. 4 is a top view of the endoscope of FIG. 1.

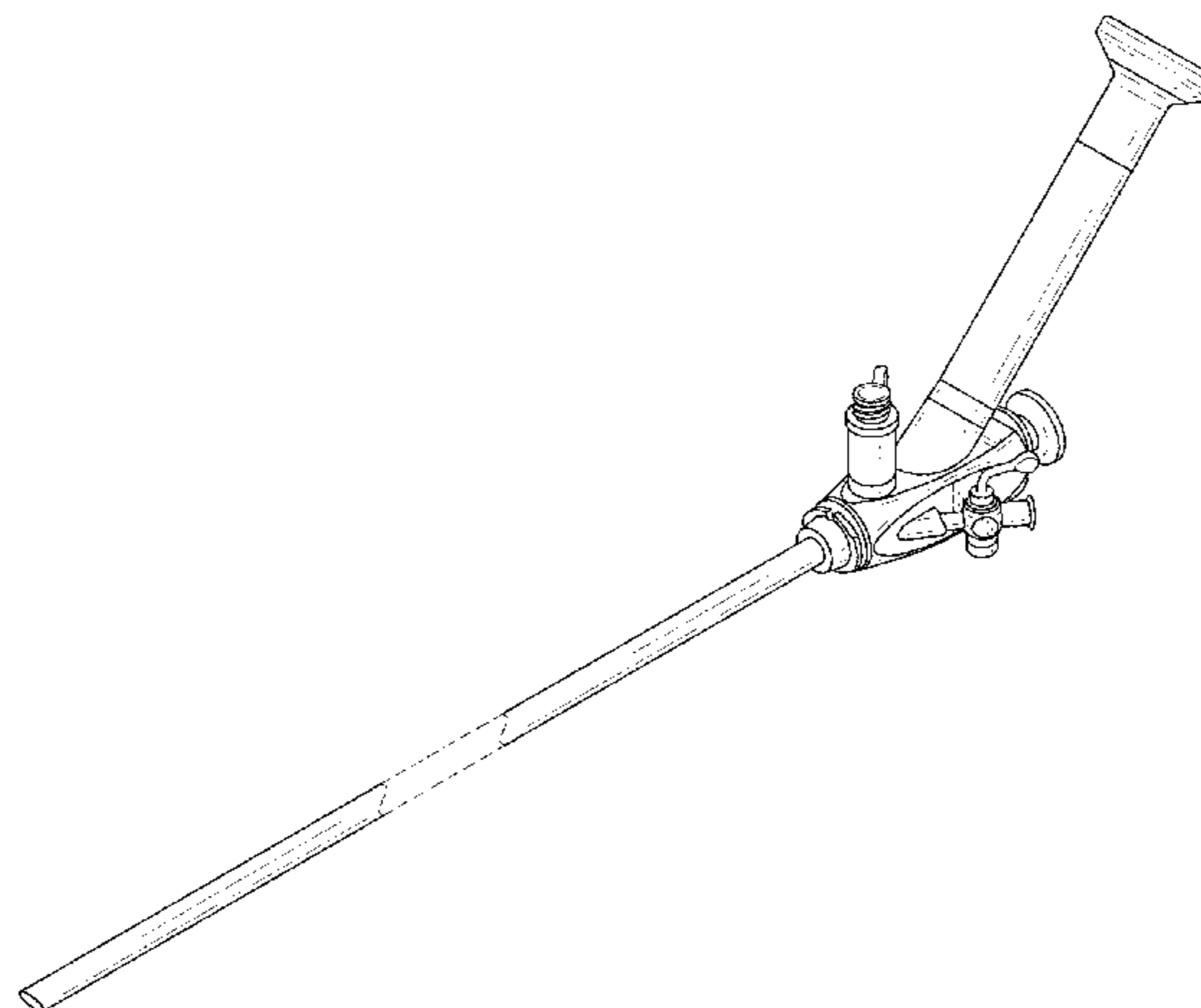
FIG. 5 is a bottom view of the endoscope of FIG. 1.

FIG. 6 is a front perspective view of the endoscope of FIG. 1; and,

FIG. 7 is a rear view of the endoscope of FIG. 1.

The broken away symbols in the drawings indicate that any portion of the article beyond what is shown forms no part of the claimed design.

**1 Claim, 7 Drawing Sheets**



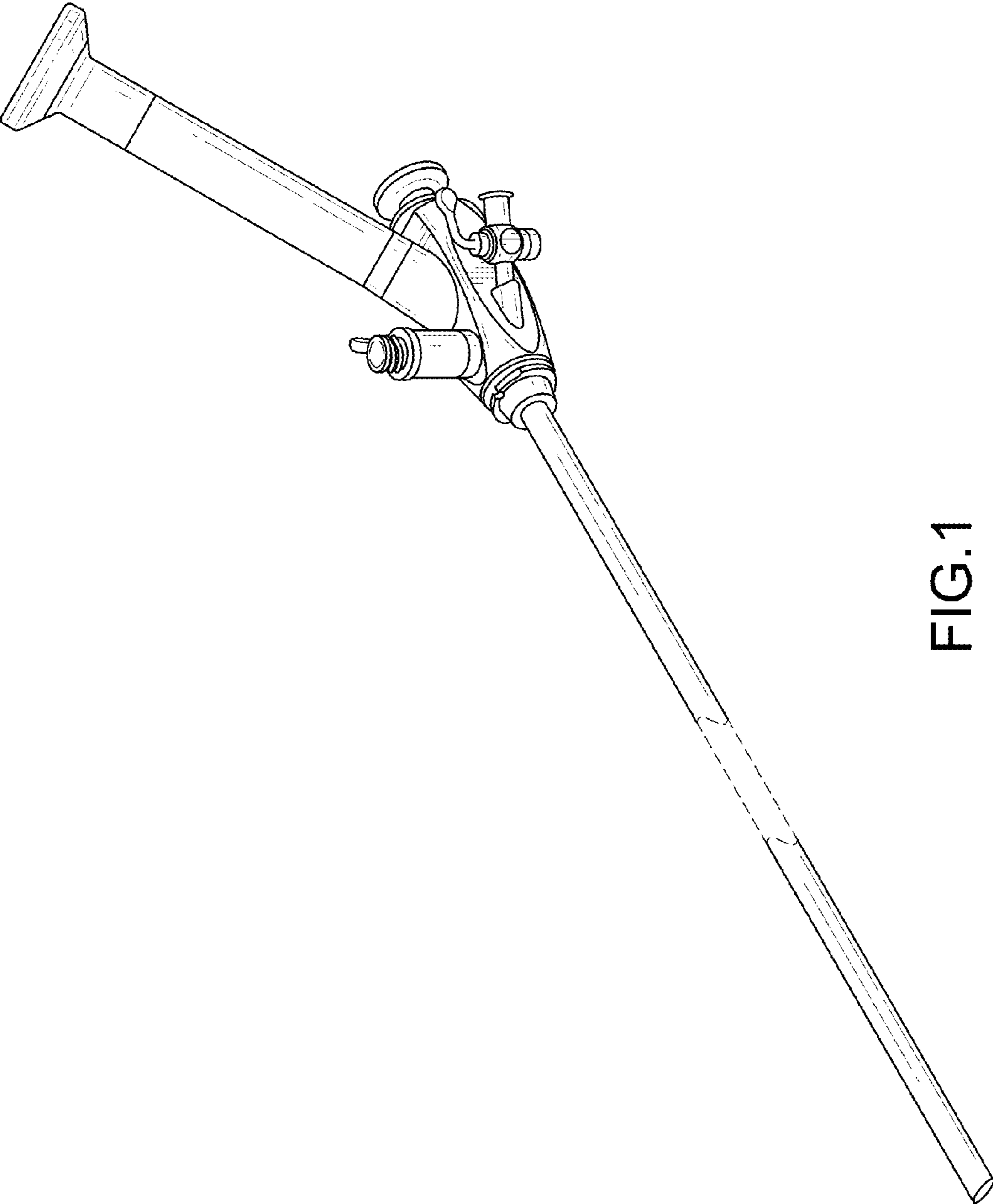


FIG.1

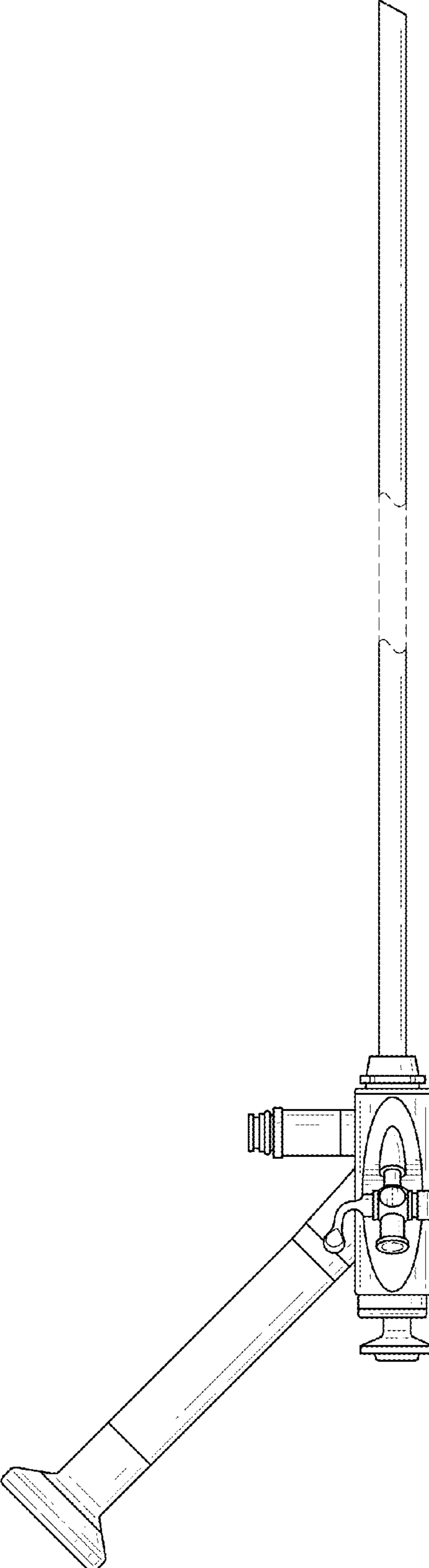


FIG.2

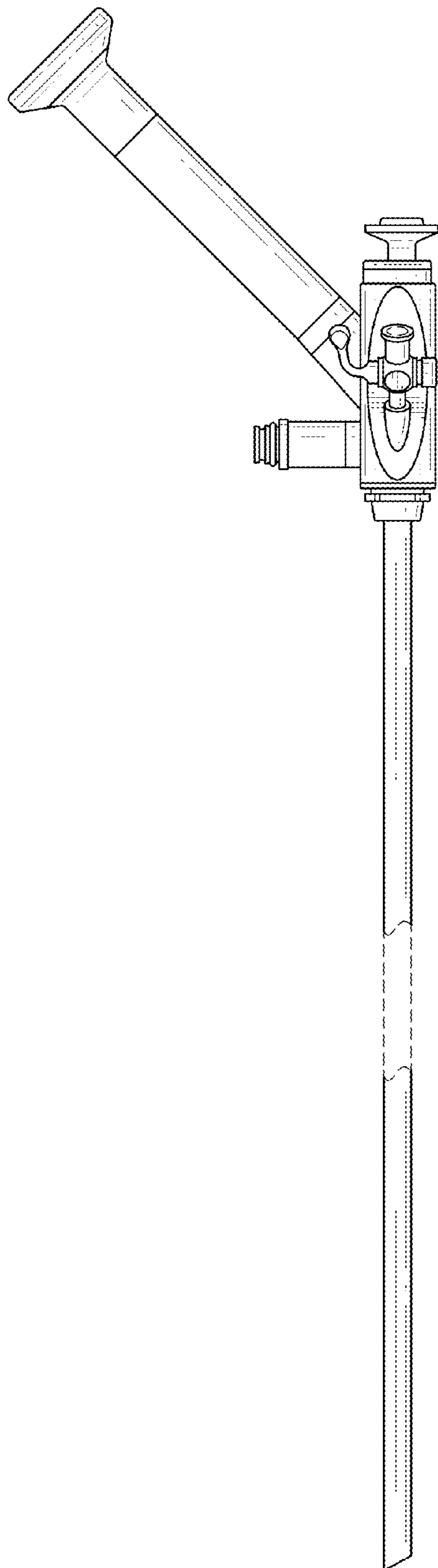


FIG.3

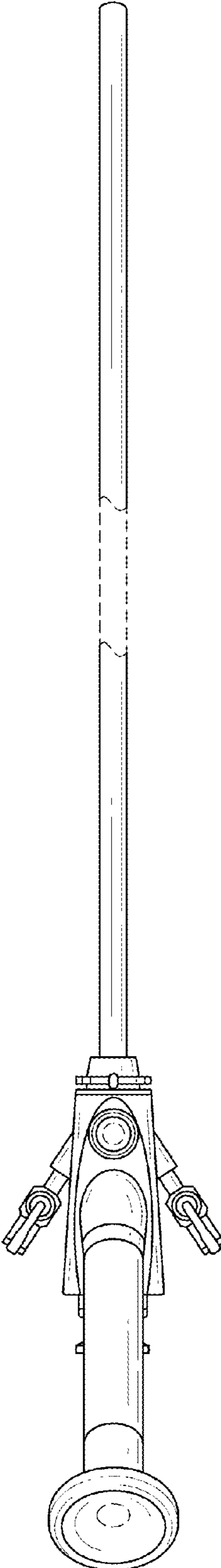


FIG.4

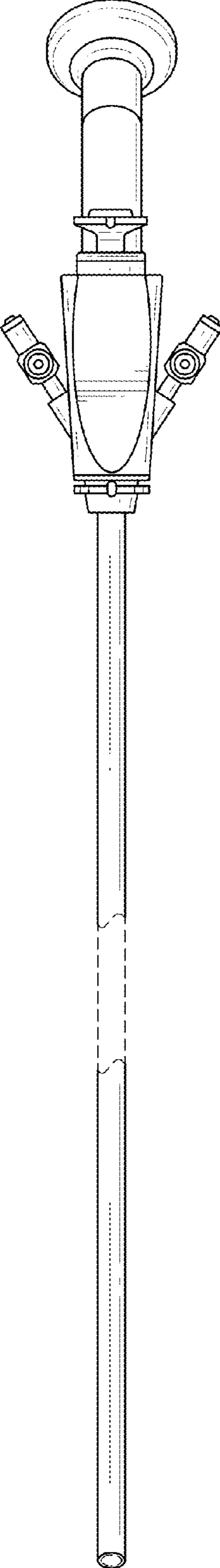


FIG.5

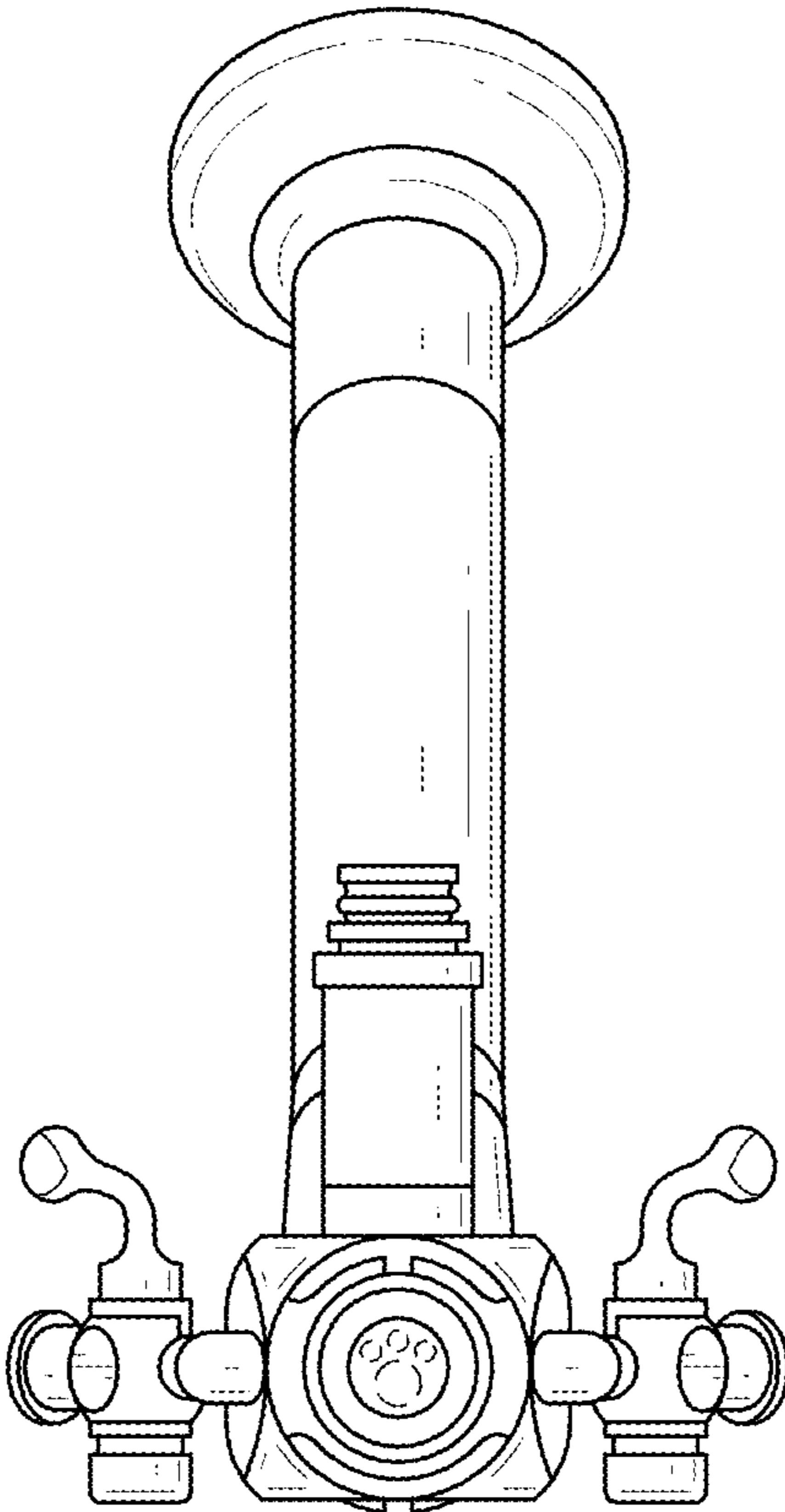


FIG.6

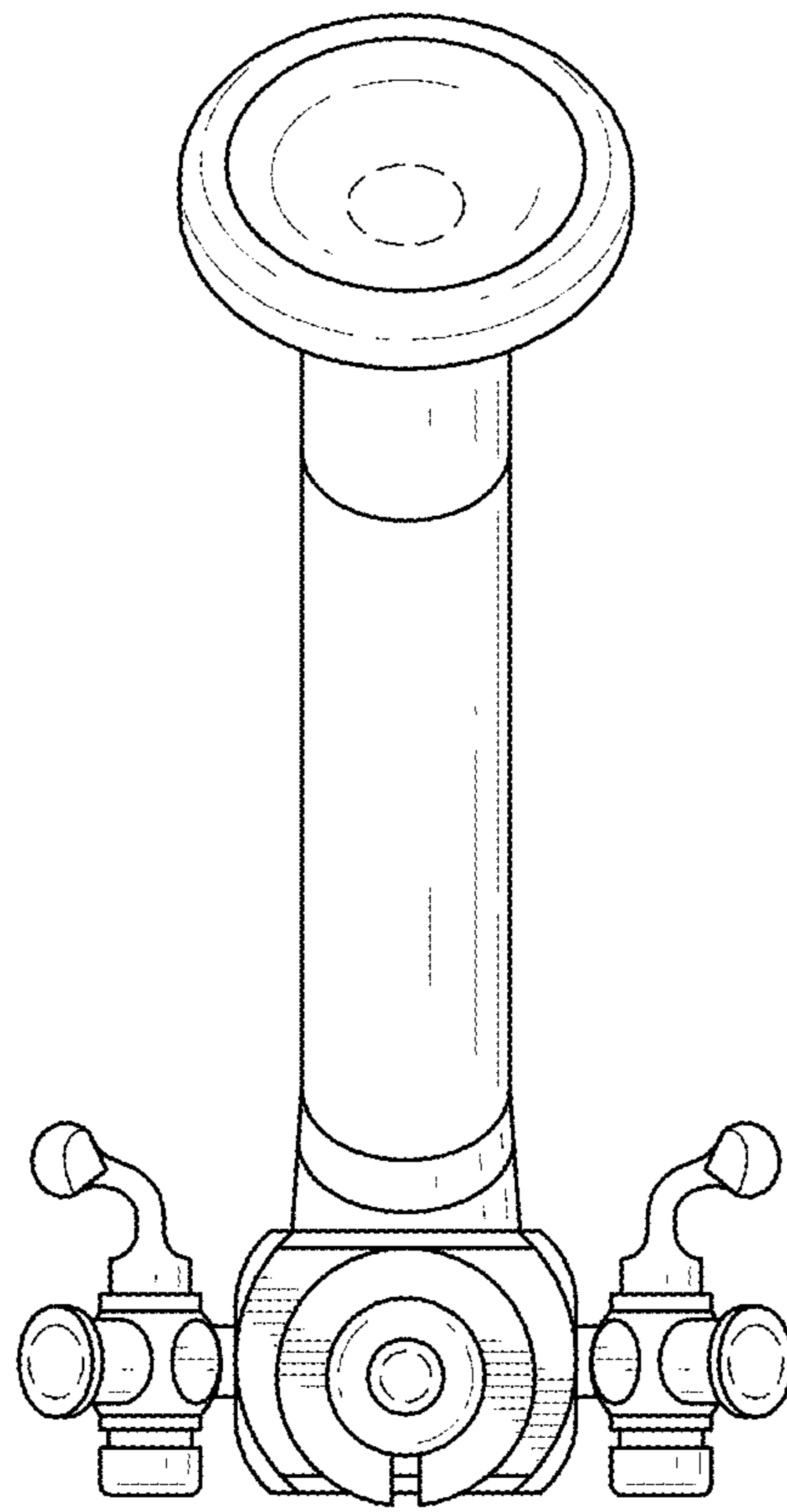


FIG.7



UNITED STATES PATENT AND TRADEMARK OFFICE  
**CERTIFICATE OF CORRECTION**

PATENT NO. : D743,029 S  
APPLICATION NO. : 29/502096  
DATED : November 10, 2015  
INVENTOR(S) : Mesle

Page 1 of 1

It is certified that error appears in the above-identified patent and that said Letters Patent is hereby corrected as shown below:

ON THE TITLE PAGE

The Letters Patent now shows:

(30) Foreign Application Priority Data  
March 11, 2014 (EM).....002422295-0001

it should show:

(30) Foreign Application Priority Data  
March 11, 2014 (EM).....002422295-0002

Signed and Sealed this  
Fifteenth Day of March, 2016



Michelle K. Lee  
*Director of the United States Patent and Trademark Office*