



US00D743028S

(12) **United States Design Patent**
Teufel

(10) **Patent No.:** **US D743,028 S**

(45) **Date of Patent:** **** Nov. 10, 2015**

(54) **ENDOSCOPE**

(71) Applicant: **KARL STORZ GmbH & Co. KG,**
Tuttlingen (DE)

(72) Inventor: **Felix Teufel,** Tuttlingen (DE)

(73) Assignee: **KARL STORZ GmbH & Co. KG,**
Tuttlingen (DE)

(**) Term: **14 Years**

(21) Appl. No.: **29/502,087**

(22) Filed: **Sep. 11, 2014**

(30) **Foreign Application Priority Data**

Mar. 11, 2014 (EM) 002422295-0001

(51) **LOC (10) CL.** **24-02**

(52) **U.S. CL.**
USPC **D24/138**

(58) **Field of Classification Search**

USPC D24/138, 137, 133; 600/101-110,
600/111-120, 121-130, 131-140, 141-150,
600/151-160, 161-170, 171-183

CPC .. A61B 1/00; A61B 1/00064; A61B 1/00066;
A61B 1/0669

See application file for complete search history.

(56) **References Cited**

U.S. PATENT DOCUMENTS

5,031,603 A * 7/1991 Gautier A61B 1/307
600/135
D533,941 S * 12/2006 Furst D24/137
D534,276 S * 12/2006 Michel D24/137
D548,340 S * 8/2007 Michel D24/137
D583,470 S * 12/2008 Kupferschmid D24/138
D583,471 S * 12/2008 Kupferschmid D24/138
D629,899 S * 12/2010 Meinero D24/137
7,935,049 B2 * 5/2011 Michel A61B 1/012
600/105

D663,837 S * 7/2012 Becker D24/138
D666,719 S * 9/2012 Becker D24/138
D716,942 S * 11/2014 Eisenkolb D24/138
D729,384 S * 5/2015 Renner D24/138

(Continued)

FOREIGN PATENT DOCUMENTS

EM 000277439-0001 12/2004
EM 000702956-0001 4/2007

(Continued)

Primary Examiner — Wan Laymon

Assistant Examiner — Mark Booker

(74) *Attorney, Agent, or Firm* — Muncy, Geissler, Olds & Lowe, P.C.

(57) **CLAIM**

The ornamental design for an endoscope, as shown and described.

DESCRIPTION

FIG. 1 is a front perspective view of an endoscope according to the present invention.

FIG. 2 is a bottom elevational view of the endoscope of FIG. 1.

FIG. 3 is a top elevational view of the endoscope of FIG. 1.

FIG. 4 is a right side perspective view of the endoscope of FIG. 1.

FIG. 5 is a left side perspective view of the endoscope of FIG. 1.

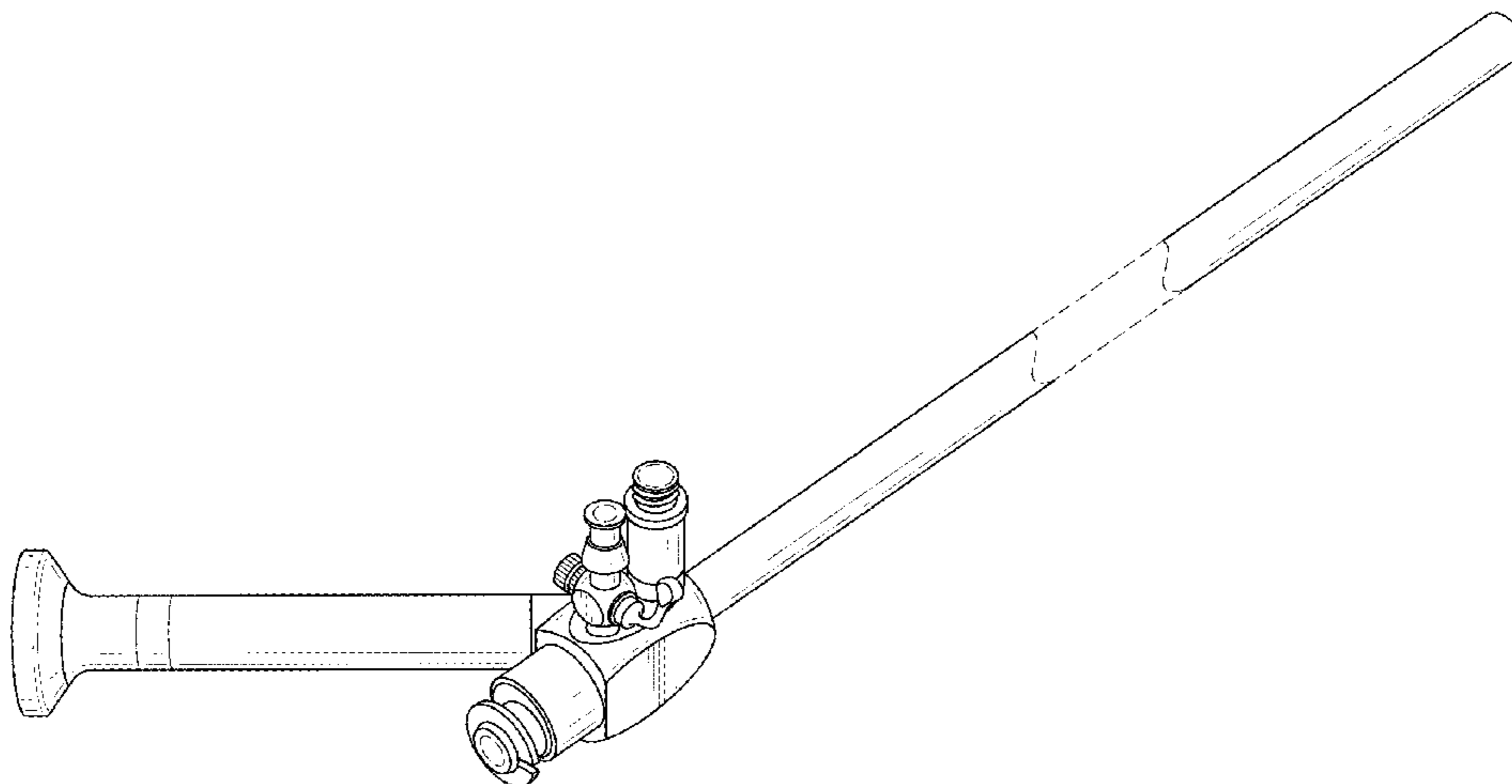
FIG. 6 is a front elevational view of the endoscope of FIG. 1; and,

FIG. 7 is a rear elevational view of the endoscope of FIG. 1.

The dashed lines illustrate environment that does not form a part of the present invention, and no claim is made to the material illustrated with dashed lines.

The broken away symbols in the drawings indicate that any portion of the article beyond what is shown forms no part of the claimed design.

1 Claim, 7 Drawing Sheets



(56)

References Cited

FOREIGN PATENT DOCUMENTS

U.S. PATENT DOCUMENTS

2005/0049459 A1* 3/2005 Hern A61B 1/00094
600/121
2005/0234298 A1* 10/2005 Kucklick A61B 1/00135
600/156

EM 001651142-0003 12/2009
EM 001651142-0005 12/2009
EM 001844184-0002 3/2011

* cited by examiner

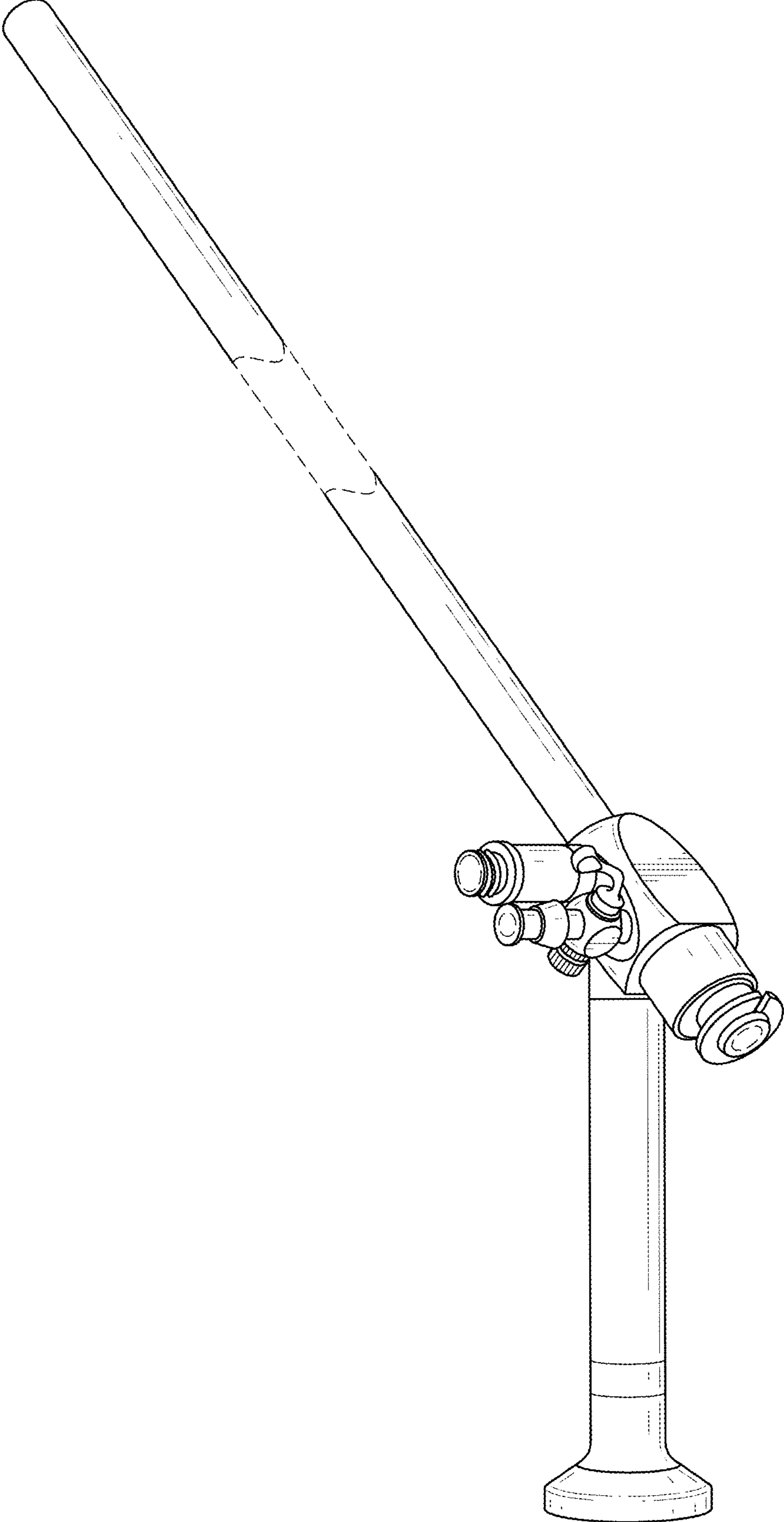


FIG.1

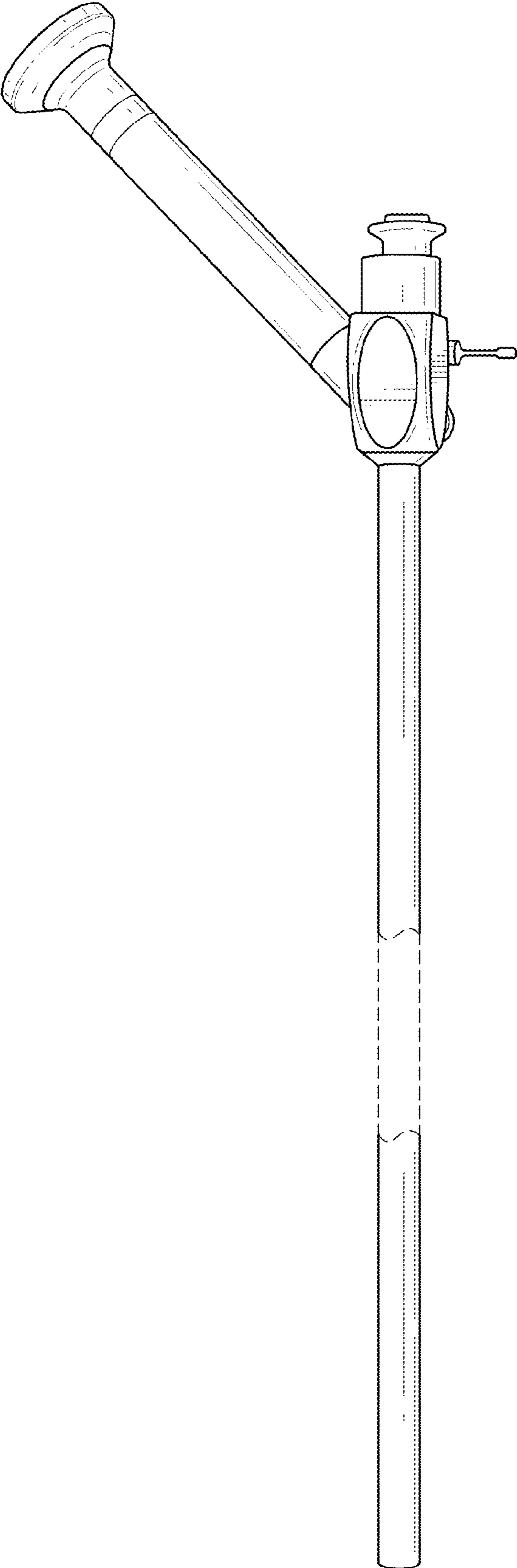


FIG.2

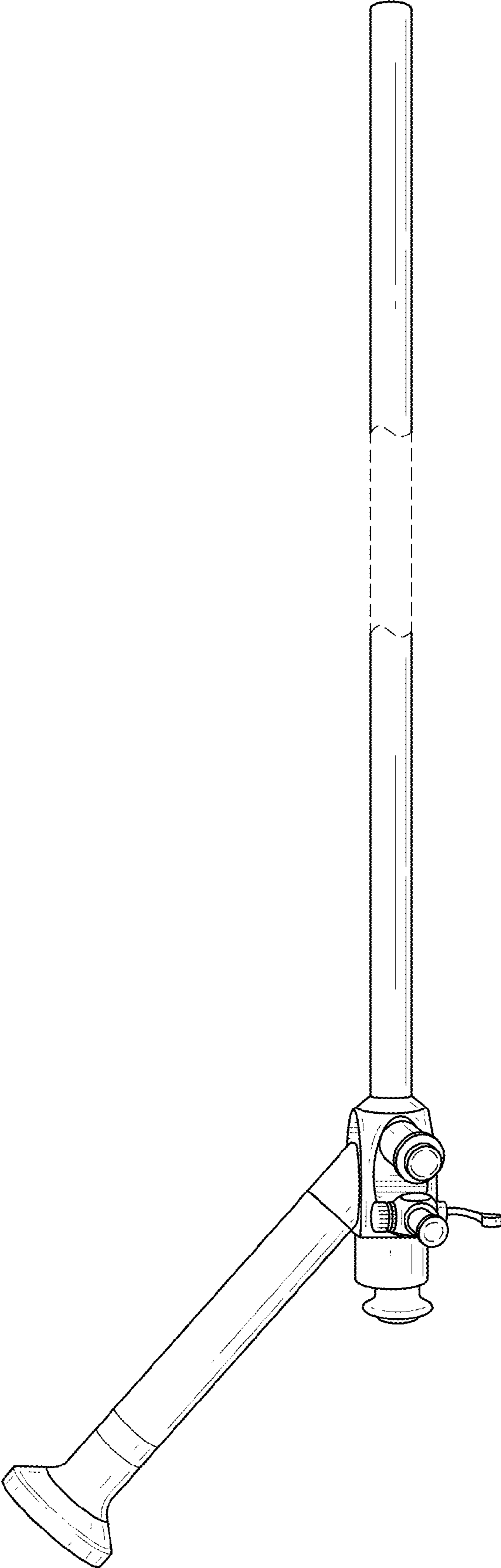


FIG.3

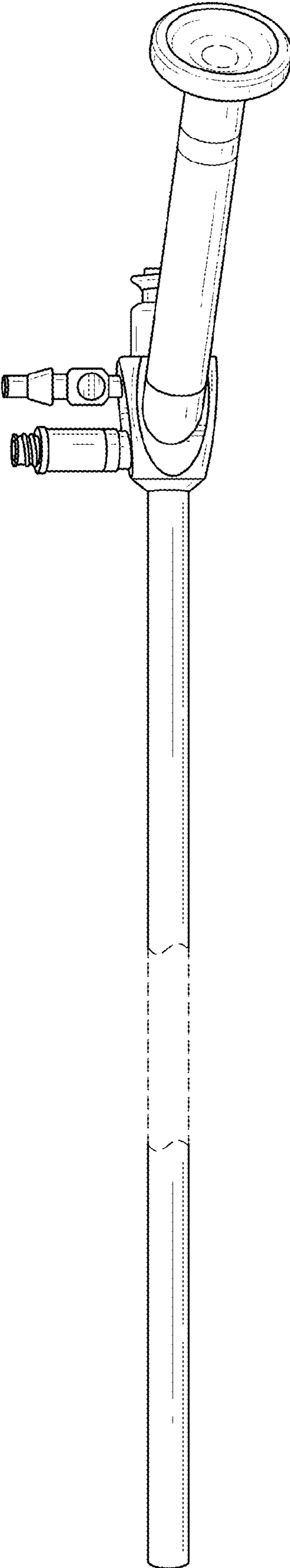


FIG.4

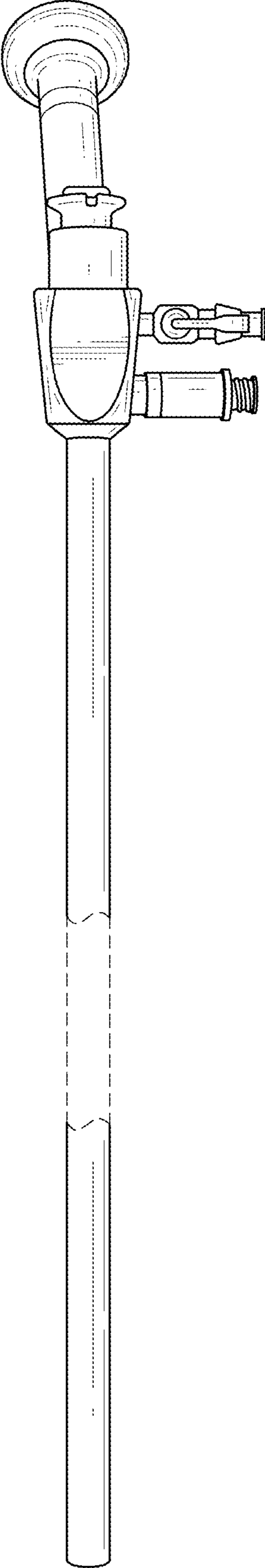


FIG.5

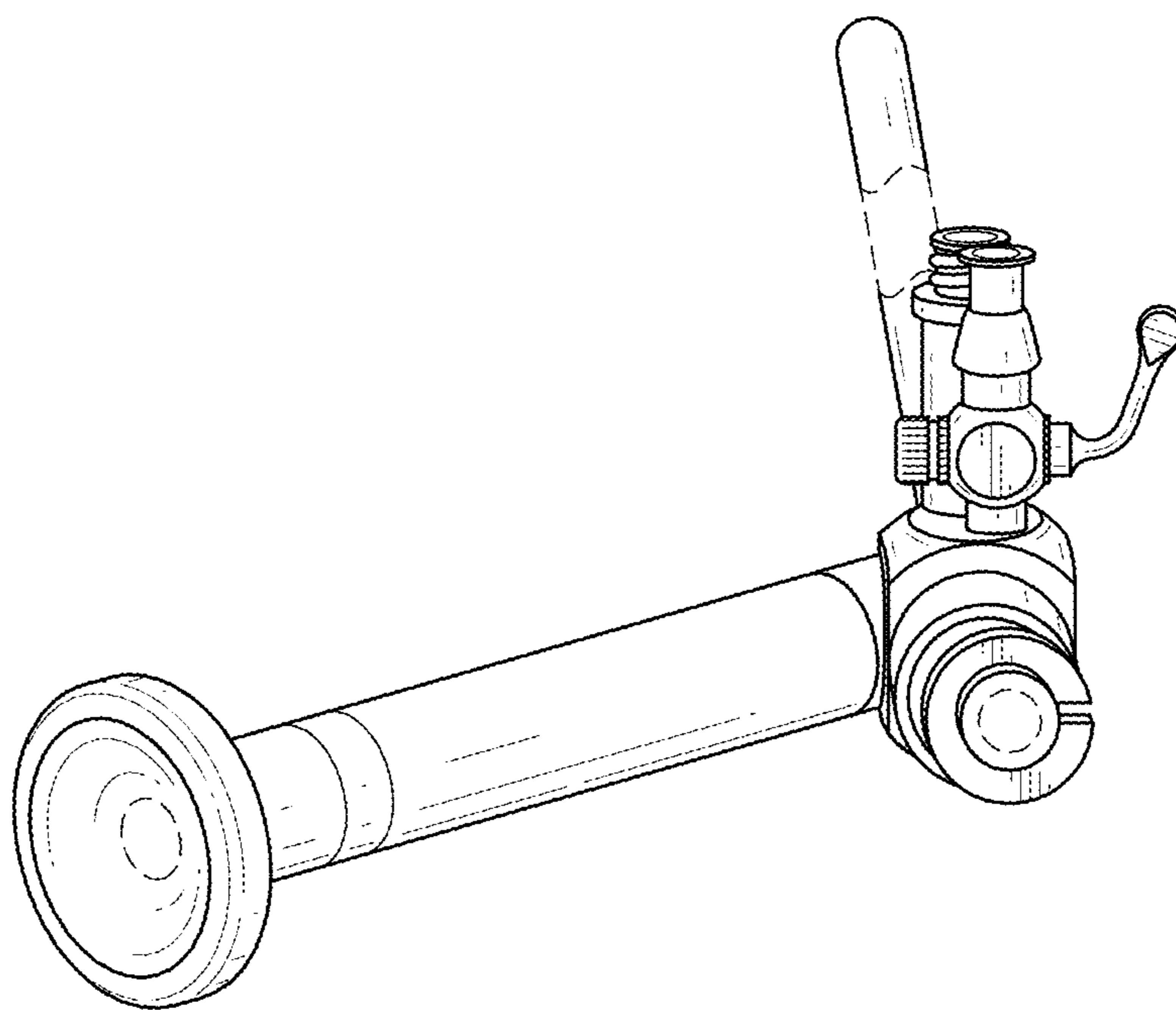


FIG.6

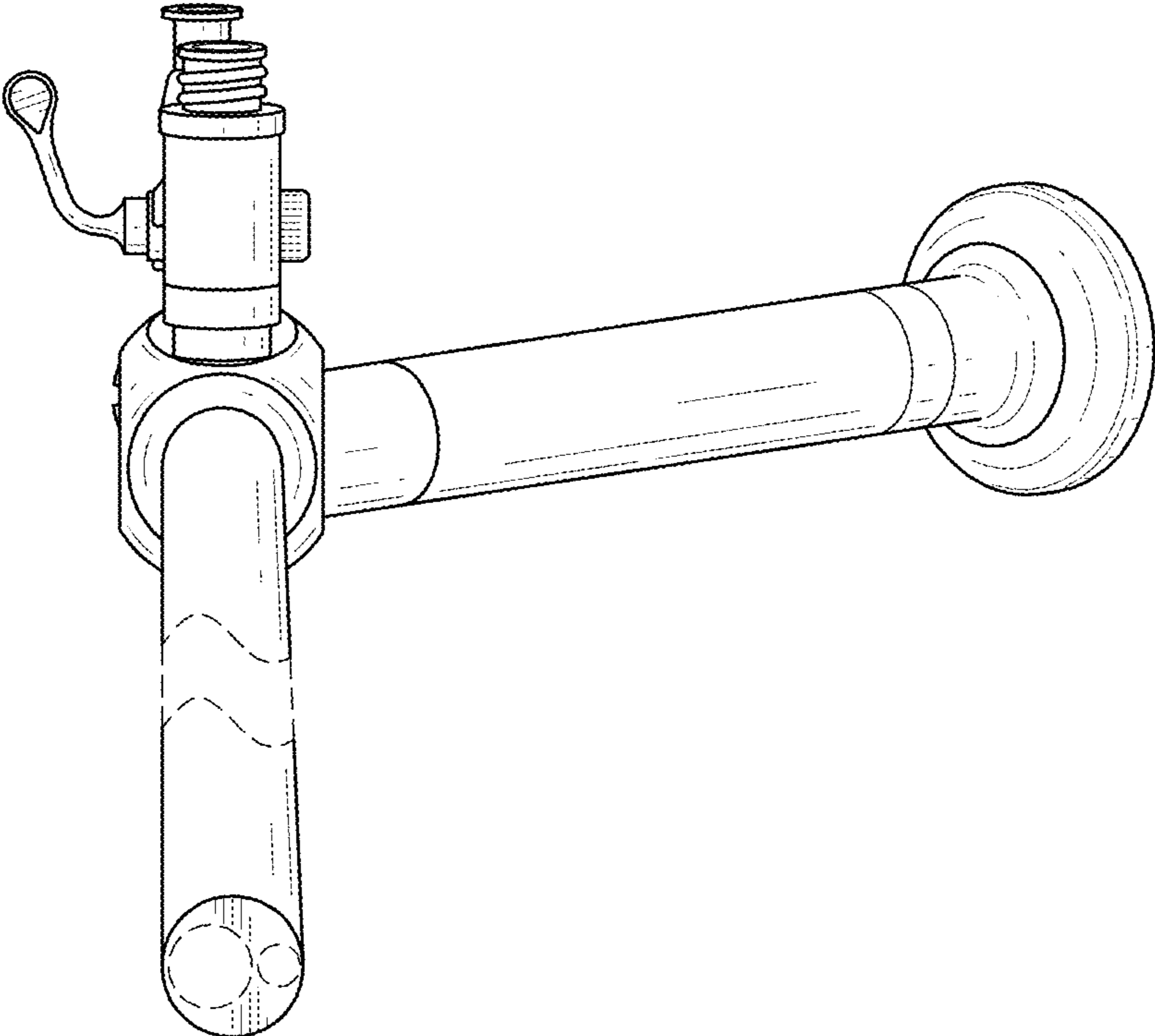


FIG.7