



US00D743027S

(12) **United States Design Patent**
Renner

(10) **Patent No.:** **US D743,027 S**

(45) **Date of Patent:** **** Nov. 10, 2015**

(54) **BRONCHOSCOPE**

(56) **References Cited**

(71) Applicant: **KARL STORZ GmbH & Co. KG,**
Tuttlingen (DE)

(72) Inventor: **Martin Renner,** Liptingen (DE)

(73) Assignee: **KARL STORZ GmbH & Co. KG,**
Tuttlingen (DE)

(**) Term: **14 Years**

(21) Appl. No.: **29/501,175**

(22) Filed: **Sep. 2, 2014**

Related U.S. Application Data

(63) Continuation-in-part of application No. 29/454,415,
filed on May 9, 2013, now Pat. No. Des. 729,384.

(30) **Foreign Application Priority Data**

Nov. 9, 2012 (EM) 002133611-0002

Nov. 9, 2012 (EM) 002133611-0003

(51) **LOC (10) Cl.** **24-02**

(52) **U.S. Cl.**
USPC **D24/138**

(58) **Field of Classification Search**
USPC D24/138, 137, 133, 135, 140
CPC A61B 1/267; A61B 1/2673; A61B 1/2676
See application file for complete search history.

U.S. PATENT DOCUMENTS

4,596,557 A *	6/1986	Pexa	604/86
D328,788 S *	8/1992	Sagae et al.	D24/129
D329,495 S *	9/1992	Kotake	D24/129
D729,384 S *	5/2015	Renner	D24/138
2014/0128678 A1 *	5/2014	Kileny et al.	600/114

OTHER PUBLICATIONS

Karl Storz GmbH, "Rigid Bronchoscopy Universal Bronchoscopes for pediatrics and adults," Endoworld, Ent 120-1-E, pp. 1-20 (Sep. 2011).

* cited by examiner

Primary Examiner — Bridget L Eland

(74) *Attorney, Agent, or Firm* — Muncy, Geissler & Olds & Lowe, P.C.

(57) **CLAIM**

The ornamental design for a bronchoscope, as shown and described.

DESCRIPTION

FIG. 1 is a perspective view of a bronchoscope according to the present invention.

FIG. 2 is a left side view of the bronchoscope of FIG. 1.

FIG. 3 is a right side view of the bronchoscope of FIG. 1.

FIG. 4 is a rear view of the bronchoscope of FIG. 1.

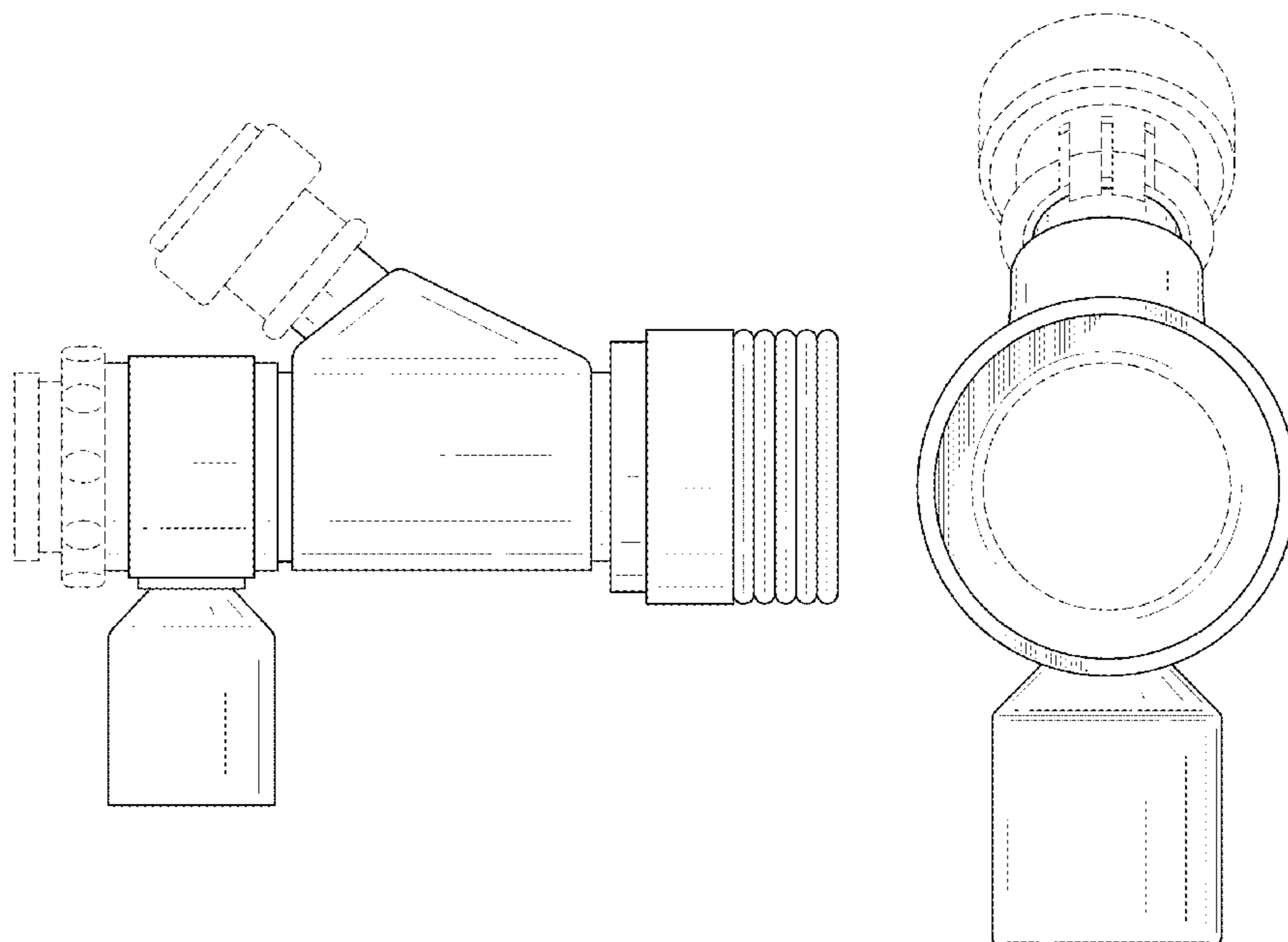
FIG. 5 is a front view of the bronchoscope of FIG. 1.

FIG. 6 is a top view of the bronchoscope of FIG. 1; and,

FIG. 7 is a bottom view of the bronchoscope of FIG. 1.

The dashed lines illustrate environment that does not form a part of the present invention, and no claim is made to the material illustrated with dashed lines.

1 Claim, 7 Drawing Sheets



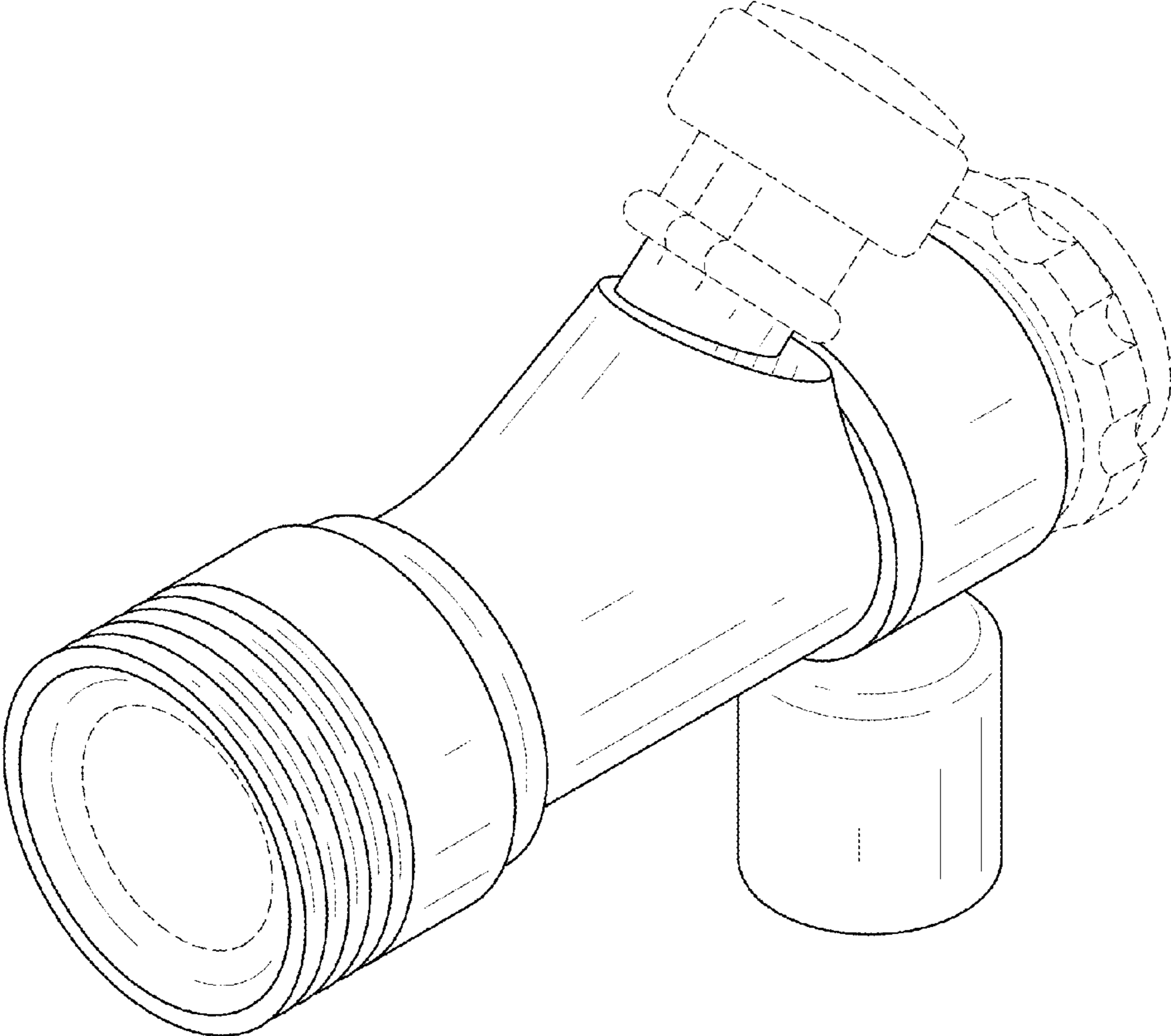


FIG.1

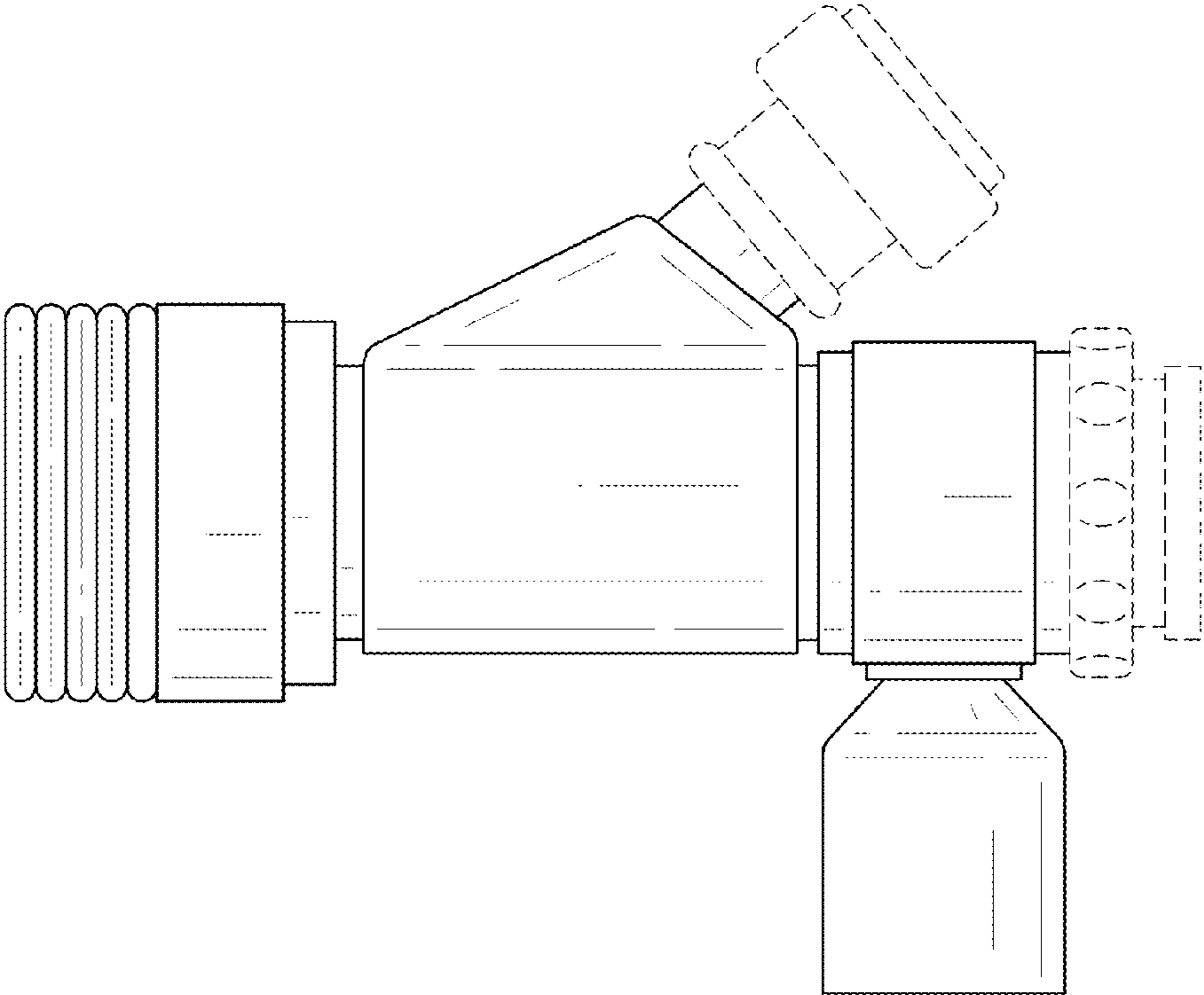


FIG.2

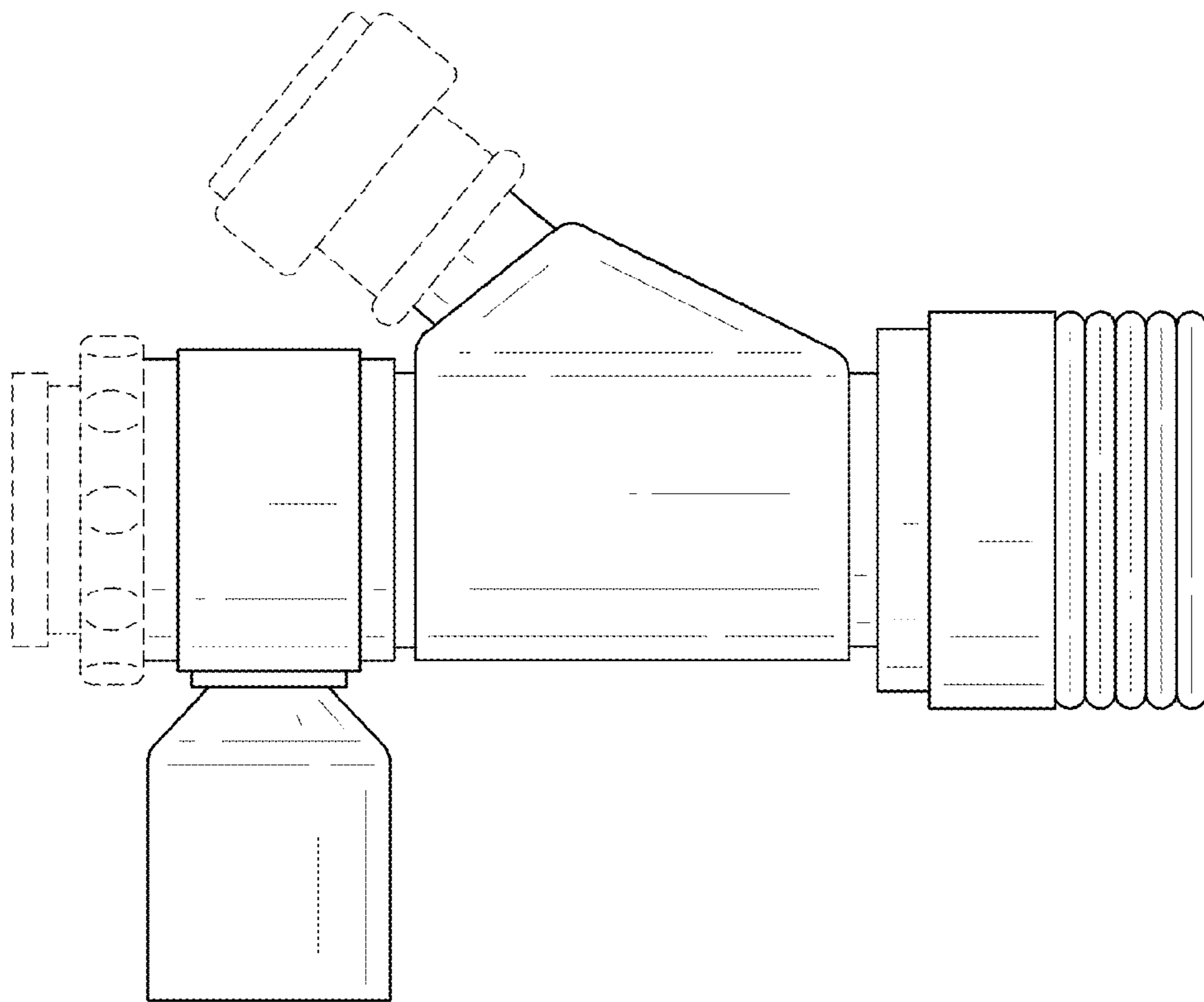


FIG.3

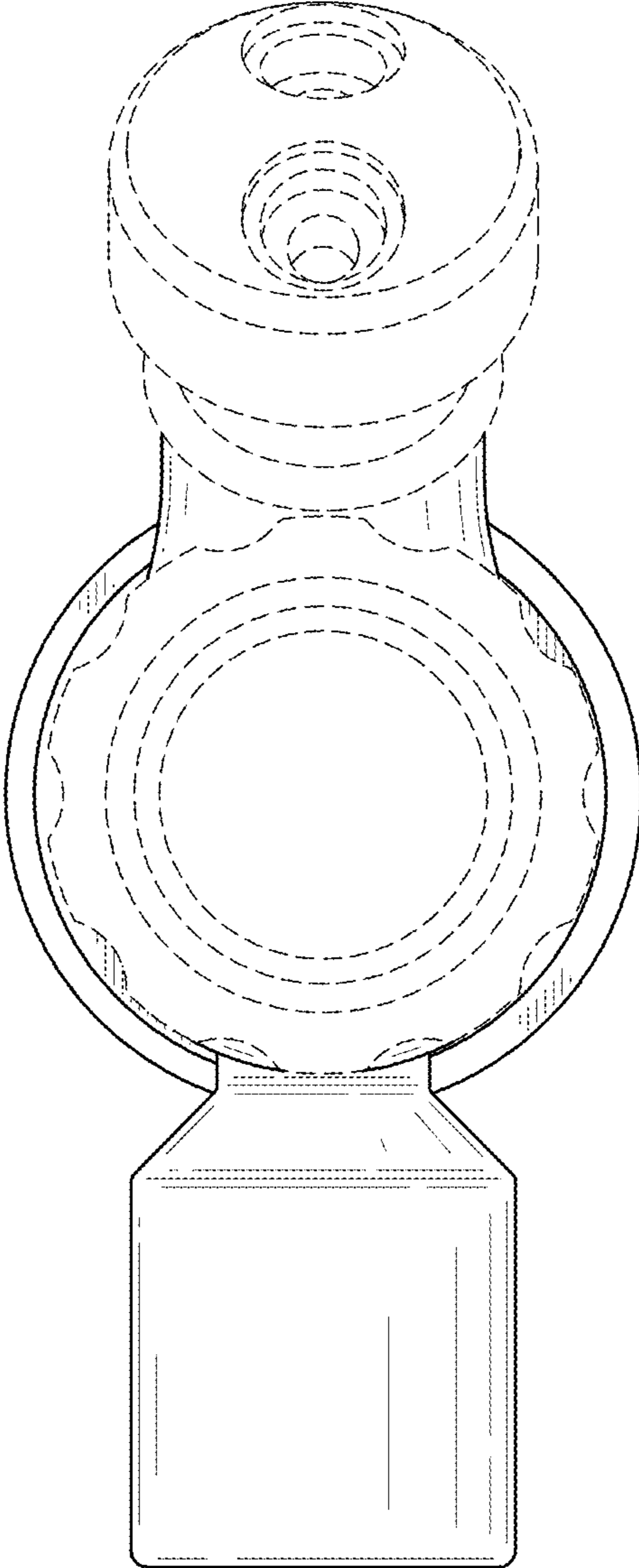


FIG.4

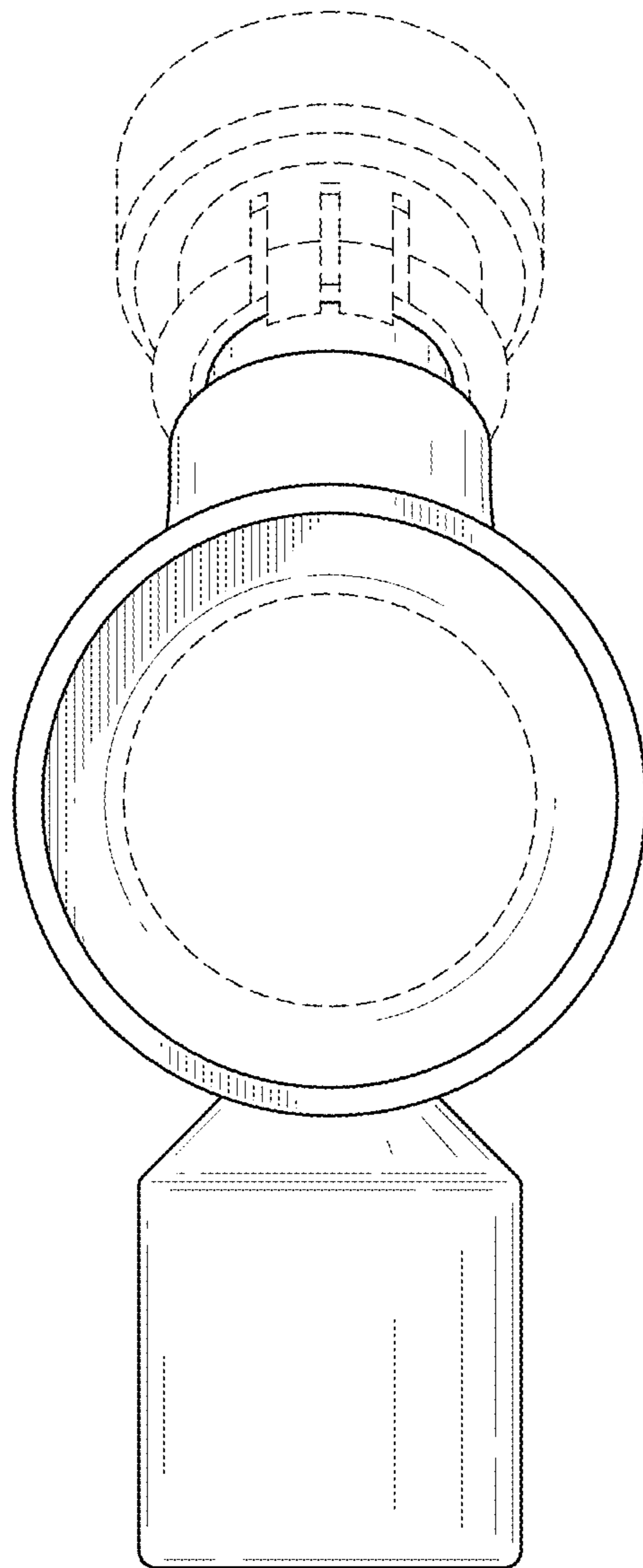


FIG.5

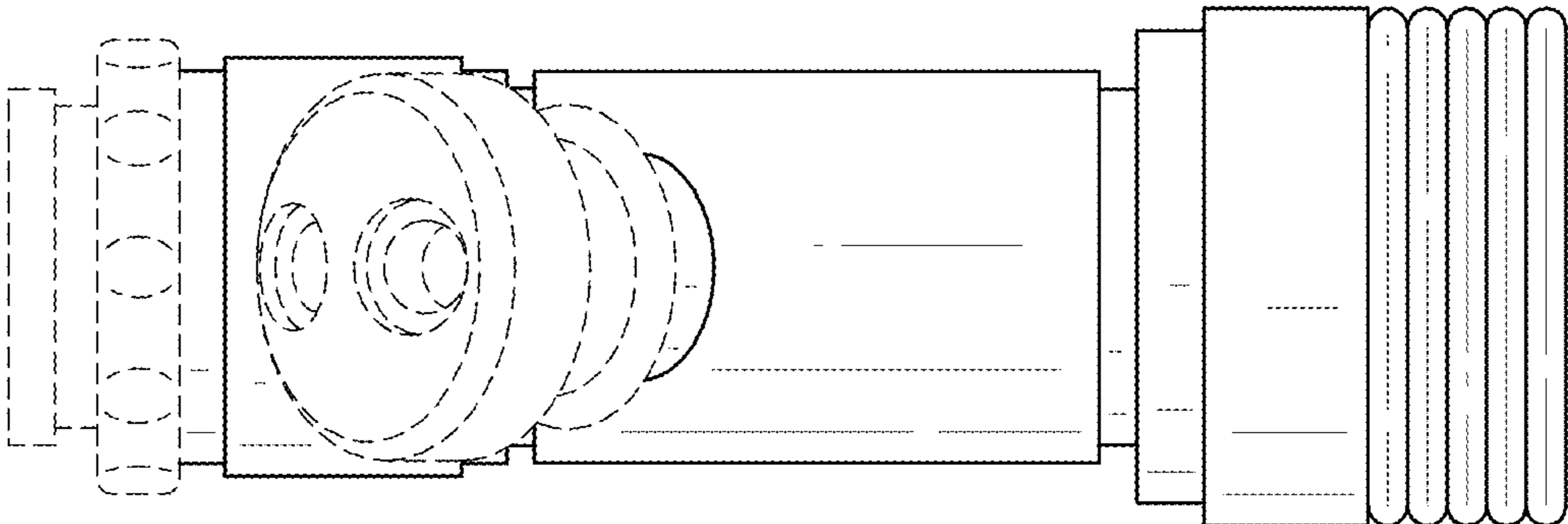


FIG.6

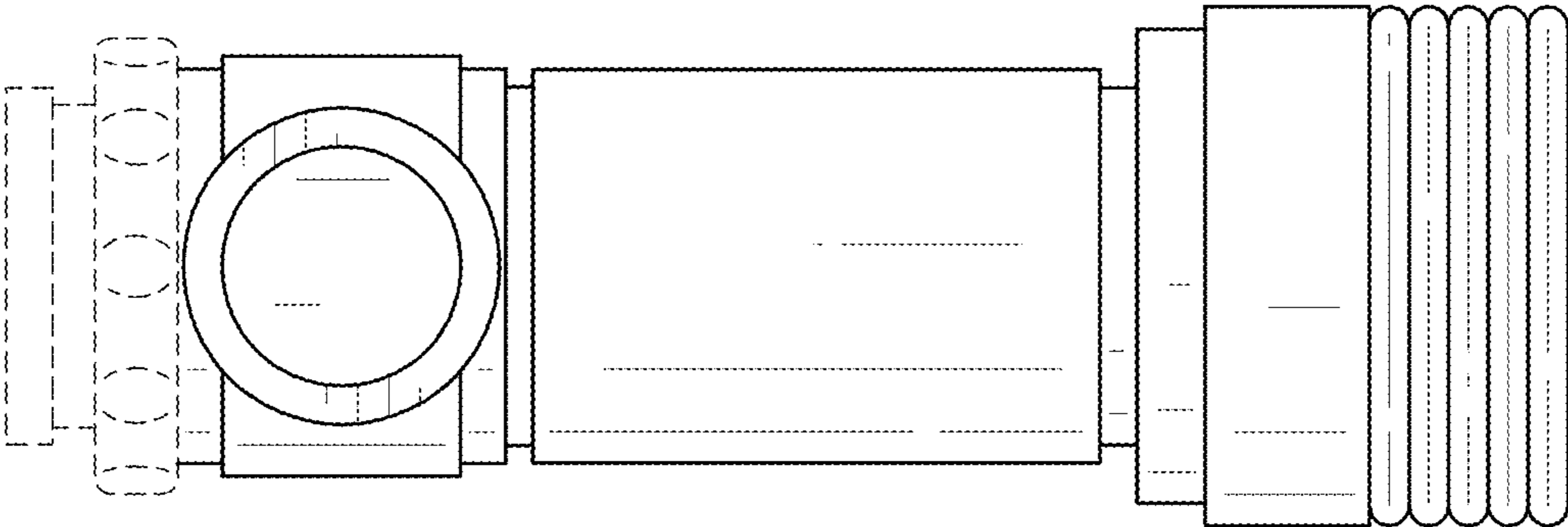


FIG.7