



US00D743026S

(12) **United States Design Patent**  
**Konkol, II**

(10) **Patent No.:** **US D743,026 S**

(45) **Date of Patent:** **\*\* Nov. 10, 2015**

(54) **TUBE HOLDER**

(71) Applicant: **Edward Paul Konkol, II**, Honolulu, HI (US)

(72) Inventor: **Edward Paul Konkol, II**, Honolulu, HI (US)

(\*\*) Term: **14 Years**

(21) Appl. No.: **29/456,532**

(22) Filed: **May 31, 2013**

(51) **LOC (10) Cl.** ..... **24-02**

(52) **U.S. Cl.**  
USPC ..... **D24/128**

(58) **Field of Classification Search**  
USPC ..... D24/110-110.6, 127-129; 128/200.26, 128/207.14, 207.15, DIG. 26, 207.17, 128/206.21, 207.12, 207.18; 604/179-180, 604/174

See application file for complete search history.

(56) **References Cited**

**U.S. PATENT DOCUMENTS**

4,294,243	A *	10/1981	Ernsting et al.	.....	128/206.21
4,774,944	A *	10/1988	Mischinski	.....	128/207.17
4,959,055	A *	9/1990	Hillyer	.....	604/179
5,069,206	A *	12/1991	Crosbie	.....	128/207.17

5,402,776	A *	4/1995	Islava	.....	128/207.17
5,894,840	A *	4/1999	King	.....	128/200.26
6,067,985	A *	5/2000	Islava	.....	128/207.17
D434,496	S *	11/2000	Choksi et al.	.....	D24/128
6,755,191	B2 *	6/2004	Bertoch et al.	.....	128/200.26
2011/0108038	A1 *	5/2011	Pierson	.....	128/207.14
2014/0238406	A1 *	8/2014	Borre et al.	.....	128/207.17

\* cited by examiner

*Primary Examiner* — Wan Laymon

(74) *Attorney, Agent, or Firm* — QuickPatents; Kevin Prince

(57) **CLAIM**

I claim the ornamental design for a tube holder, as shown and described.

**DESCRIPTION**

FIG. 1 is a perspective view of a tube holder, showing my new design;  
 FIG. 2 is a front elevational view thereof;  
 FIG. 3 is a rear elevational view thereof;  
 FIG. 4 is a left-side elevational view thereof, the right-side elevational view being a mirror image thereof;  
 FIG. 5 is a top plan view thereof; and,  
 FIG. 6 is a bottom plan view thereof.

The broken lines showing a person and a retaining strap in the figures depict environmental matter and form no part of the claimed design.

**1 Claim, 3 Drawing Sheets**

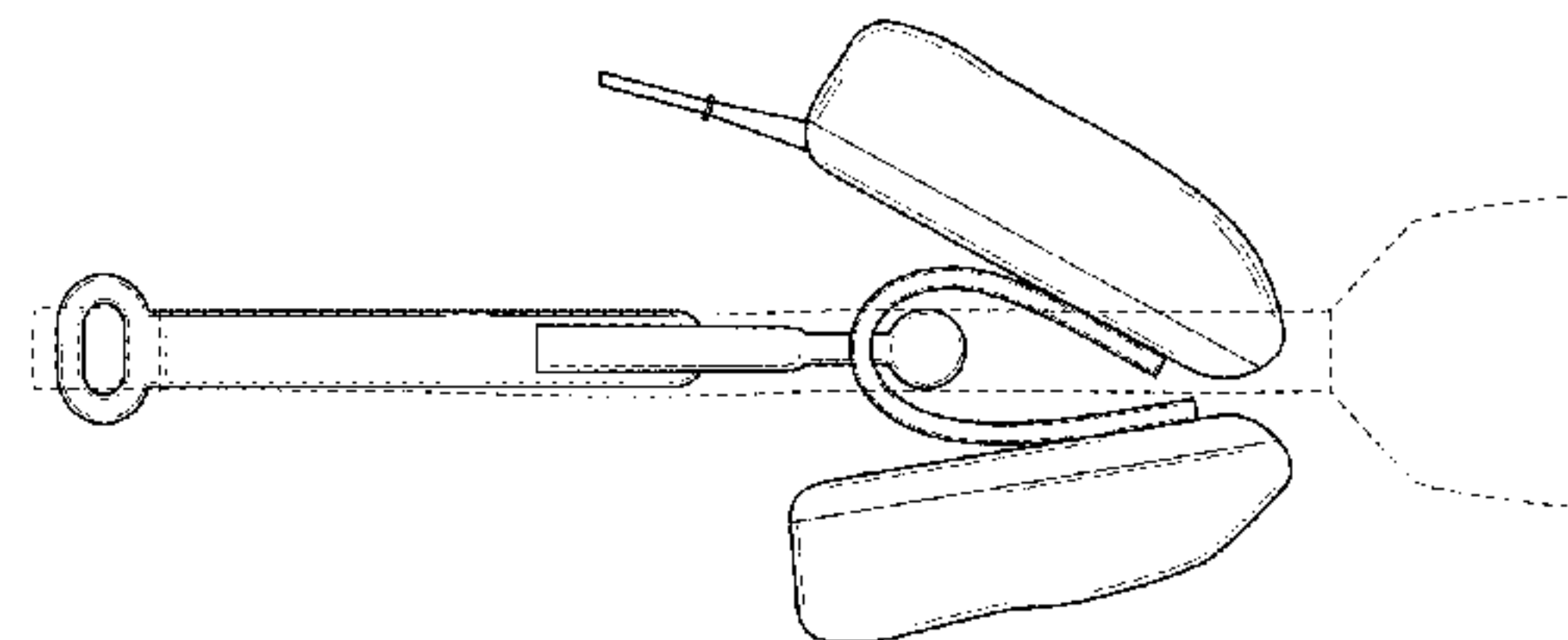
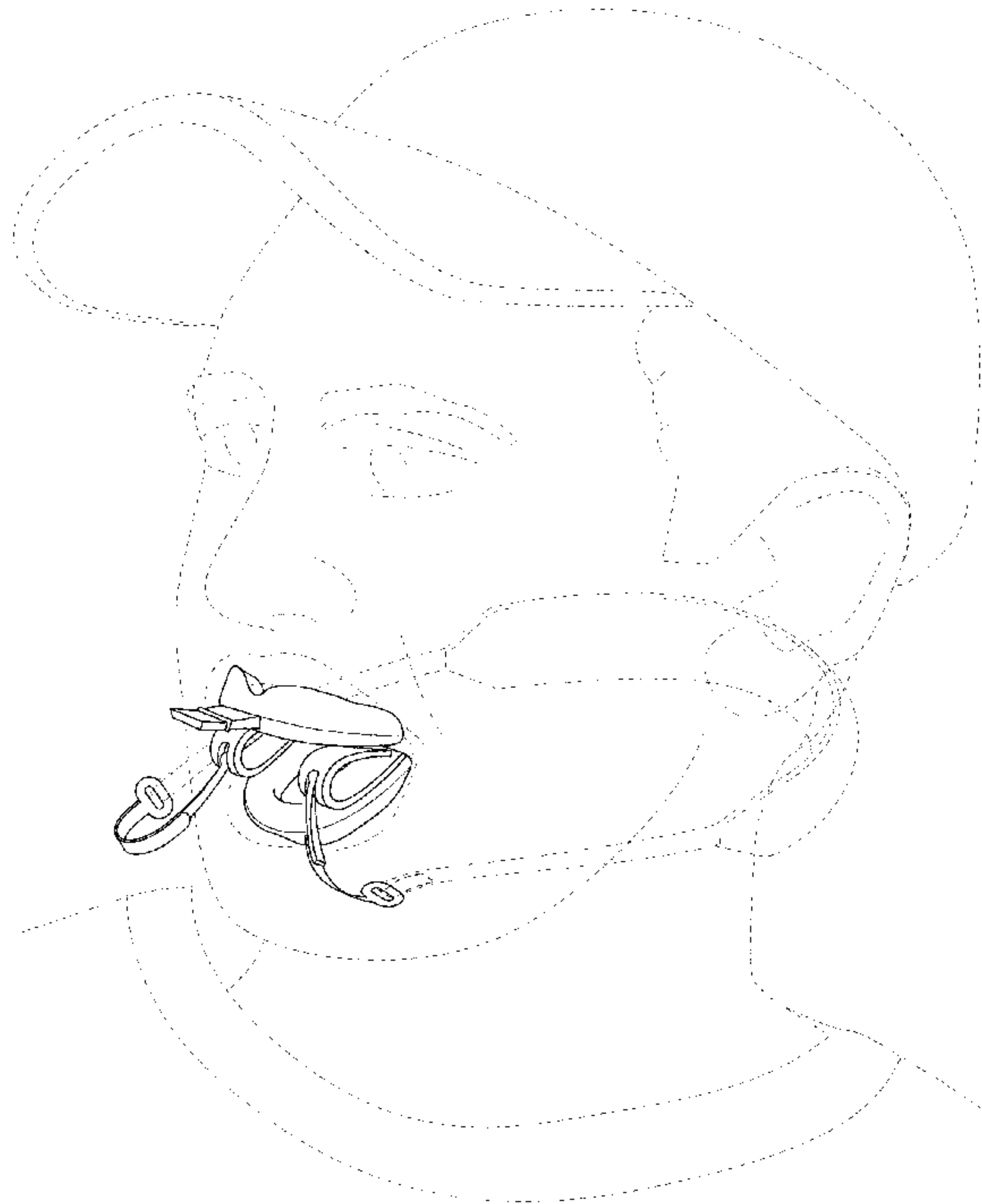




FIG. 1

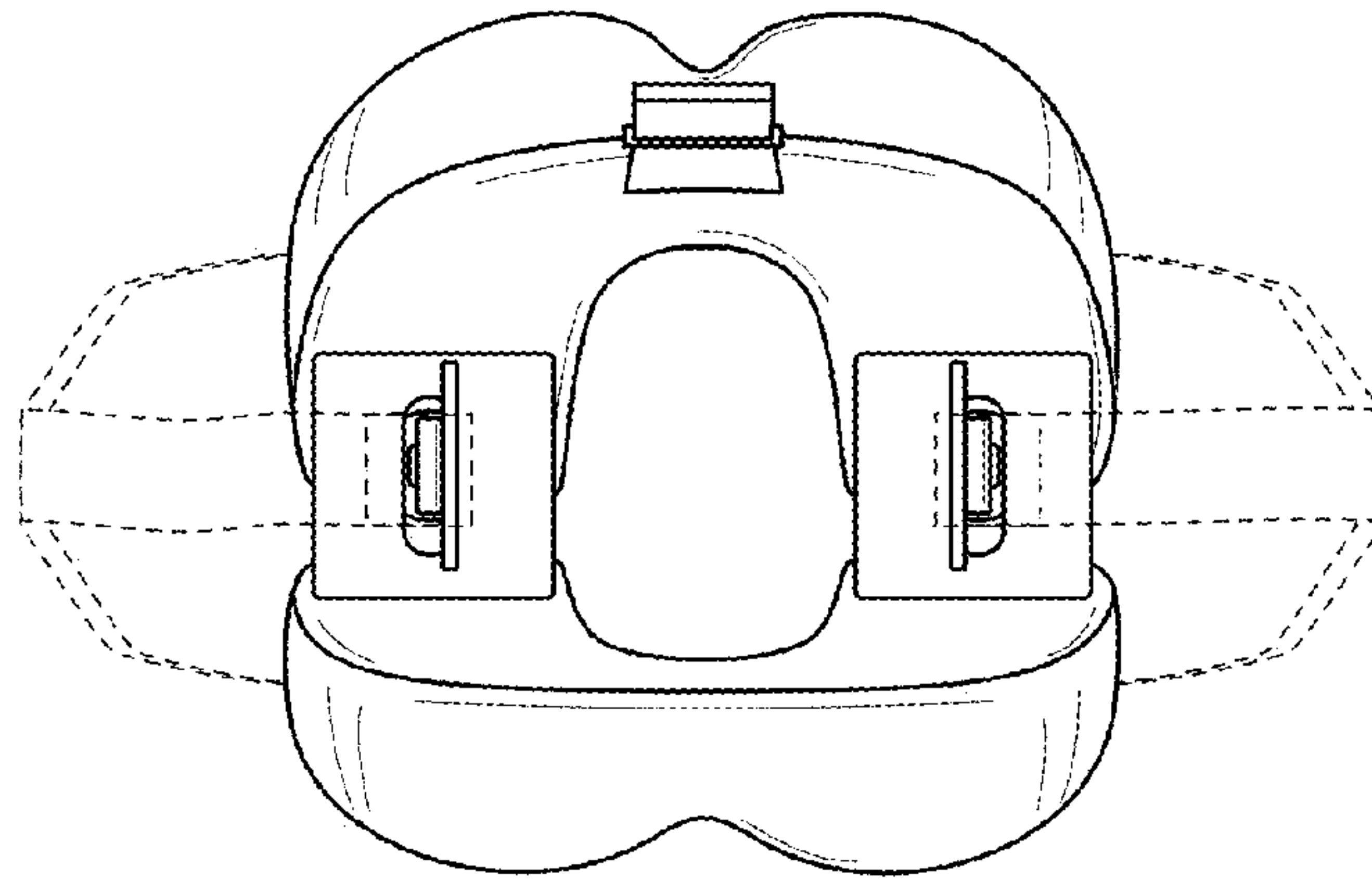


FIG. 2

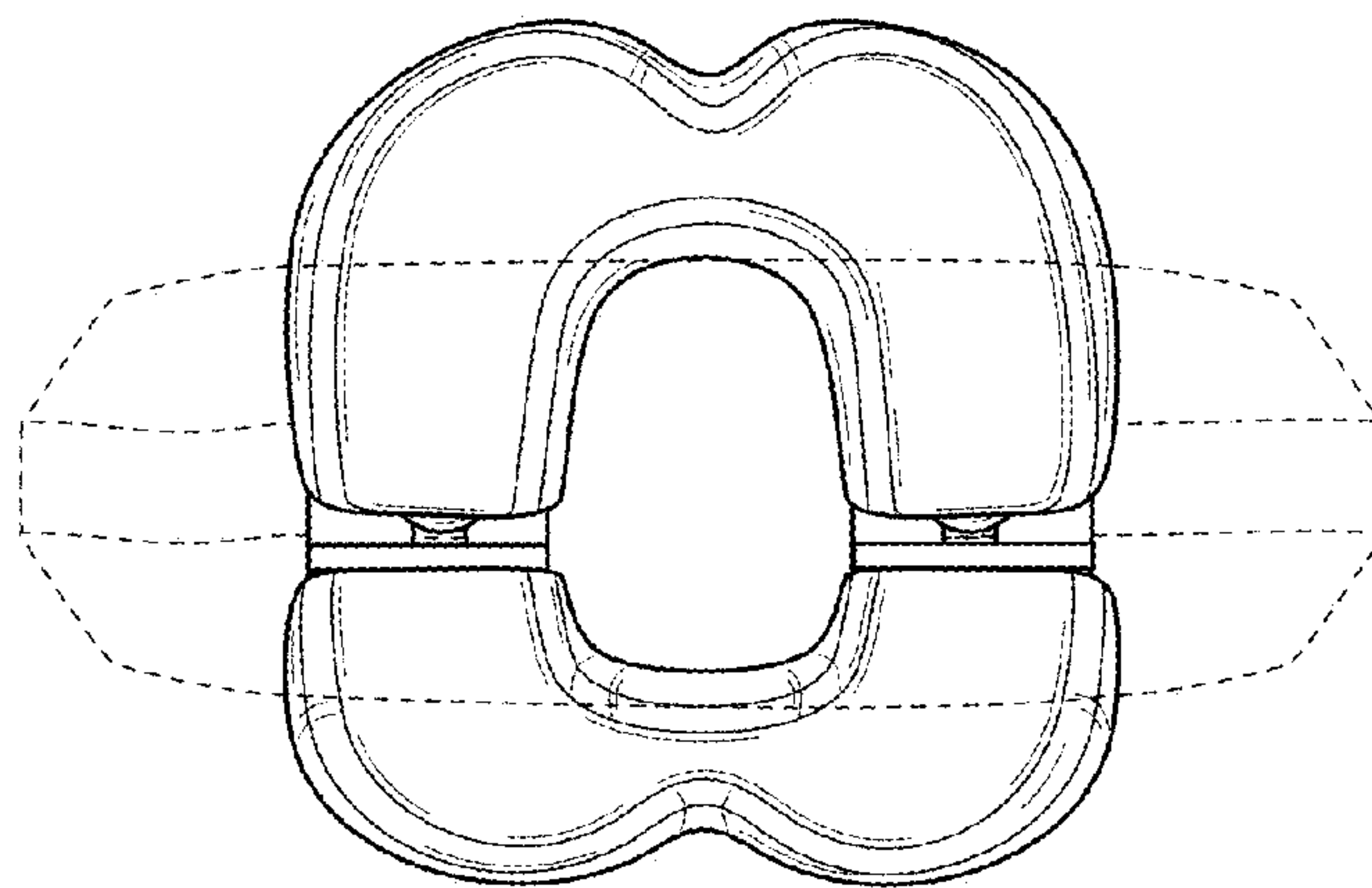


FIG. 3

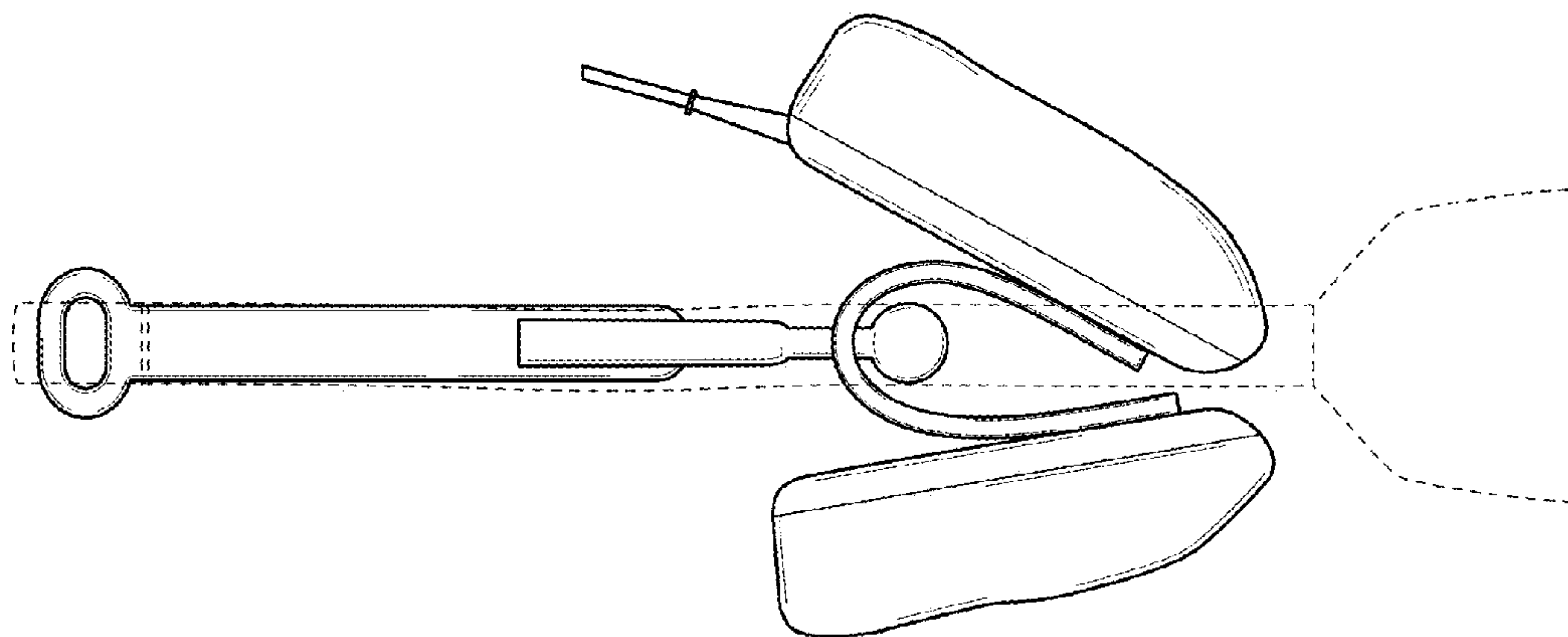


FIG. 4

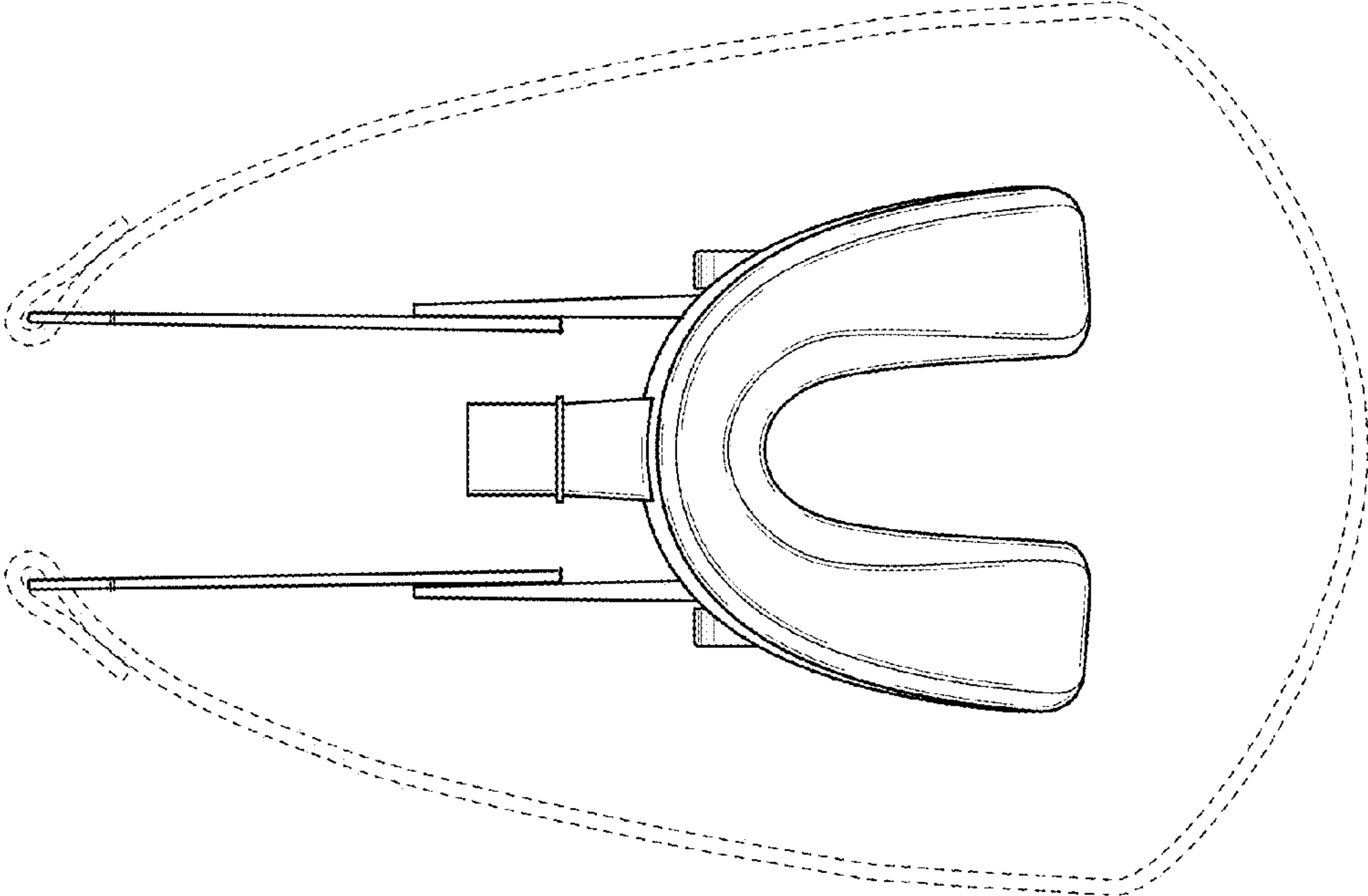


FIG. 5

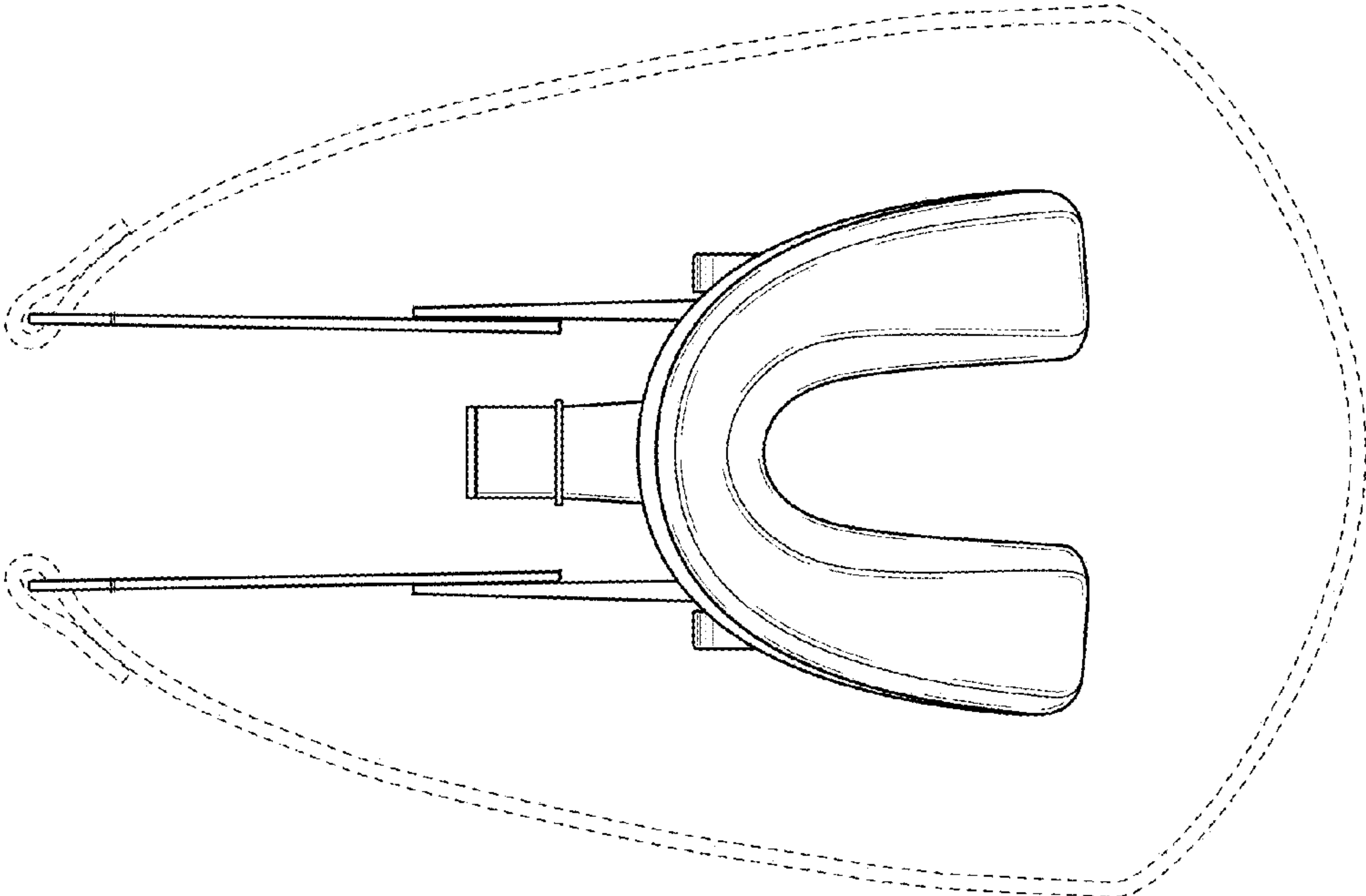


FIG. 6