



US00D743024S

(12) **United States Design Patent**
McHale

(10) **Patent No.:** **US D743,024 S**

(45) **Date of Patent:** **** *Nov. 10, 2015**

(54) **VENOUS BLOOD COLLECTION DEVICE**

(71) Applicant: **Theranos, Inc.**, Palo Alto, CA (US)

(72) Inventor: **Patricia McHale**, Palo Alto, CA (US)

(73) Assignee: **Theranos, Inc.**, Palo Alto, CA (US)

(*) Notice: This patent is subject to a terminal disclaimer.

(**) Term: **14 Years**

(21) Appl. No.: **29/466,439**

(22) Filed: **Sep. 8, 2013**

(51) **LOC (10) Cl.** **24-02**

(52) **U.S. Cl.**
USPC **D24/112**

(58) **Field of Classification Search**
USPC D24/112–114, 127, 130, 121, 108, 111,
D24/167, 169; 604/6.01, 6.02, 6.04, 6.05,
604/6.15, 131, 148, 264, 263, 198, 317,
604/319, 326; 600/578, 573, 576, 577
CPC A61B 5/15; A61B 5/00
See application file for complete search history.

(56) **References Cited**

U.S. PATENT DOCUMENTS

5,504,011 A * 4/1996 Gavin et al. 436/69
6,027,459 A * 2/2000 Shain et al. 600/573
7,976,778 B2 * 7/2011 Drucker et al. 422/68.1

8,204,568 B2 * 6/2012 Matsumoto et al. 600/347
8,308,748 B2 * 11/2012 Young et al. 606/182
8,366,729 B2 * 2/2013 Levaughn et al. 606/181
8,383,041 B2 * 2/2013 Ruhl et al. 422/66
8,647,269 B2 * 2/2014 Nelson et al. 600/301
8,702,624 B2 * 4/2014 Alden 600/583
2005/0149090 A1 * 7/2005 Morita et al. 606/181
2012/0143151 A1 * 6/2012 Low et al. 604/263
2013/0197332 A1 * 8/2013 Lucisano et al. 600/345
2014/0073990 A1 * 3/2014 Holmes et al. 600/575

OTHER PUBLICATIONS

Office Action dated Dec. 19, 2014 for U.S. Appl. No. 29/466,438.

* cited by examiner

Primary Examiner — David Muller
Assistant Examiner — Nathan Johnston

(57) **CLAIM**

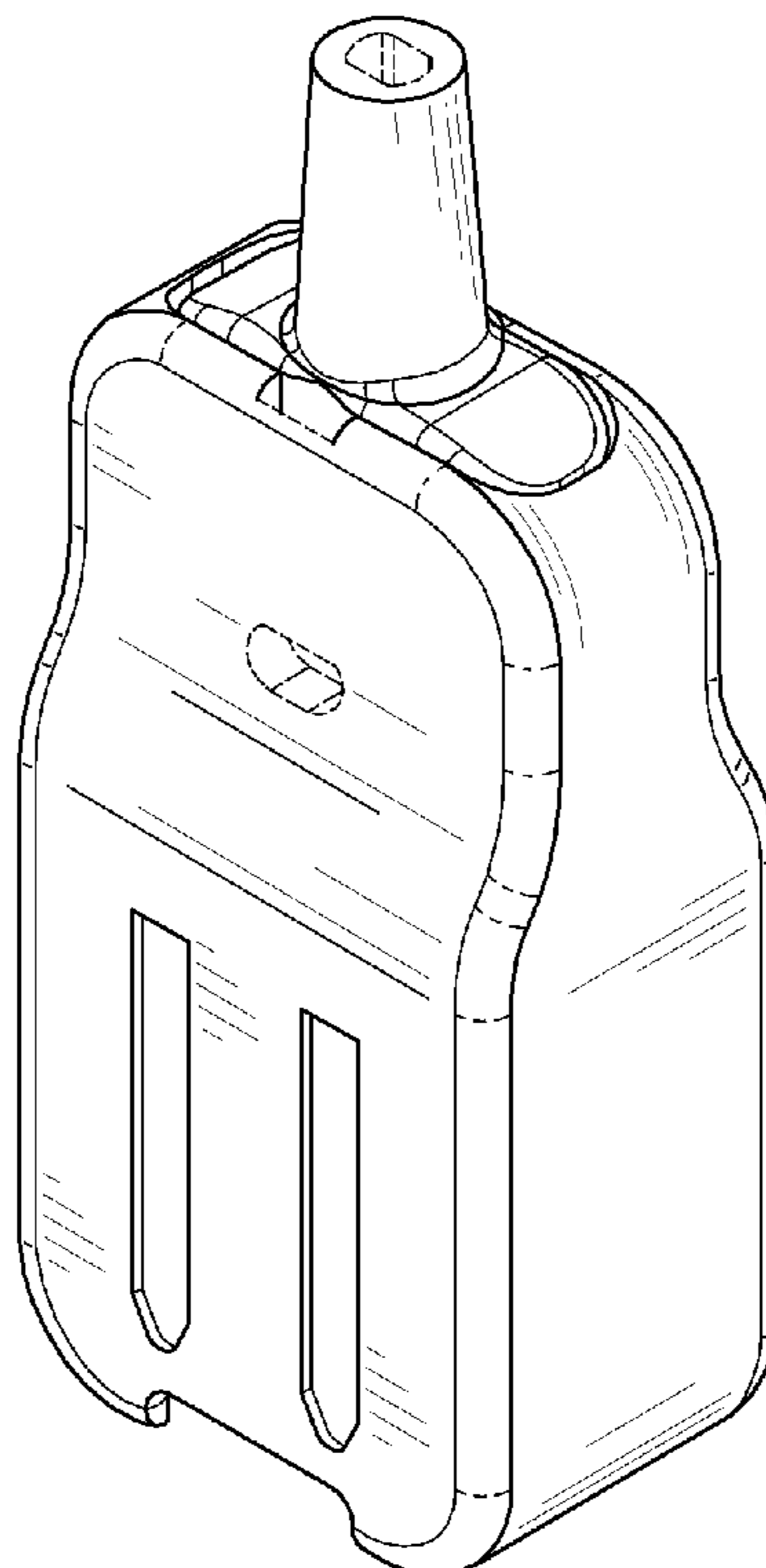
The ornamental design for a venous blood collection device, as shown and described.

DESCRIPTION

FIG. 1 is a perspective view of a venous blood collection device, showing our new design;
FIG. 2 is a side elevation view showing the wider side thereof;
FIG. 3 is a side elevation view showing the thinner side thereof;
FIG. 4 is a top plan view thereof; and,
FIG. 5 is a bottom plan view thereof.

The broken lines are included in the drawings for the purpose of illustrating unclaimed portions of the venous blood collection device and form no part of the claimed design.

1 Claim, 2 Drawing Sheets



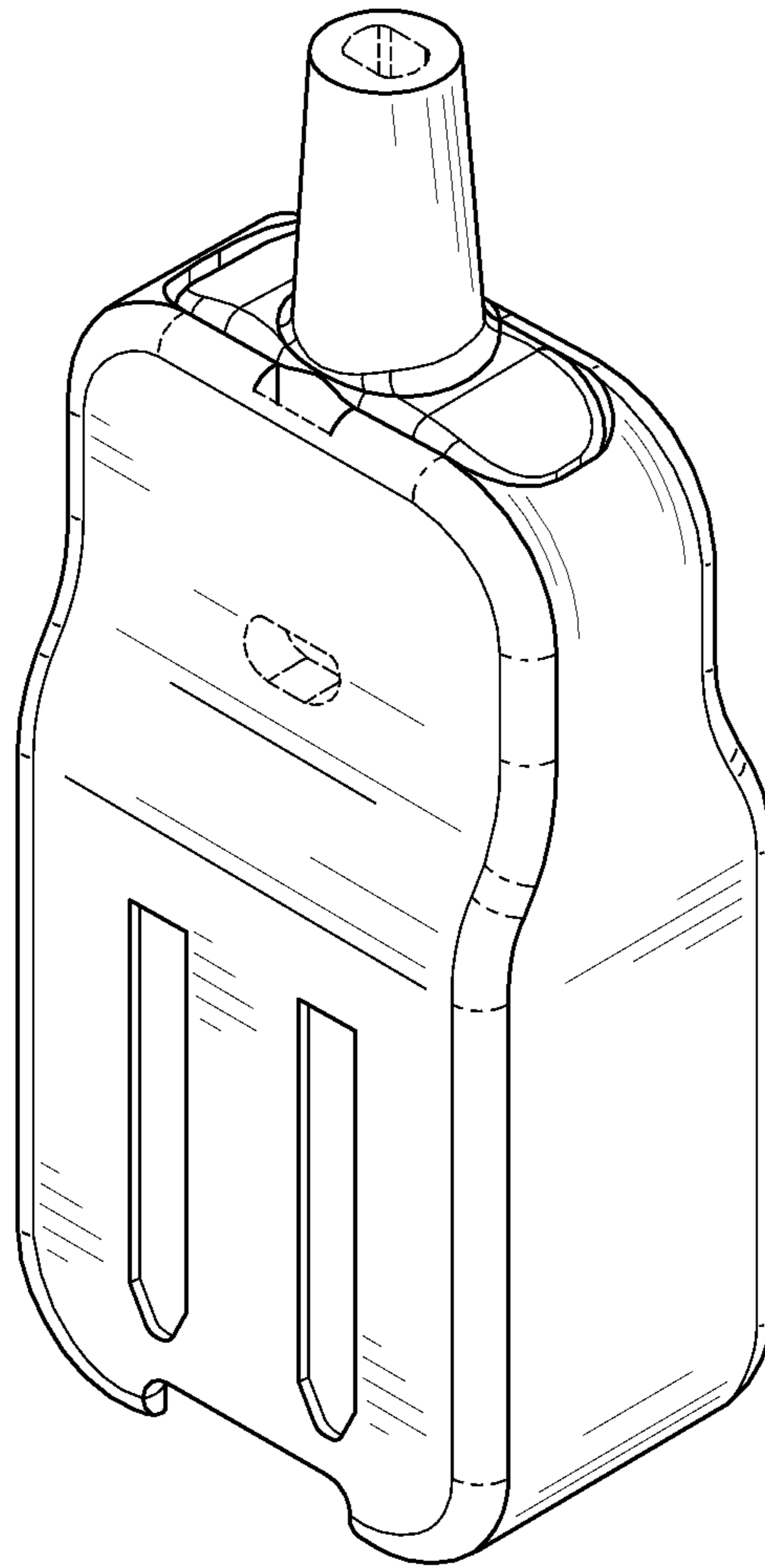


FIG. 1

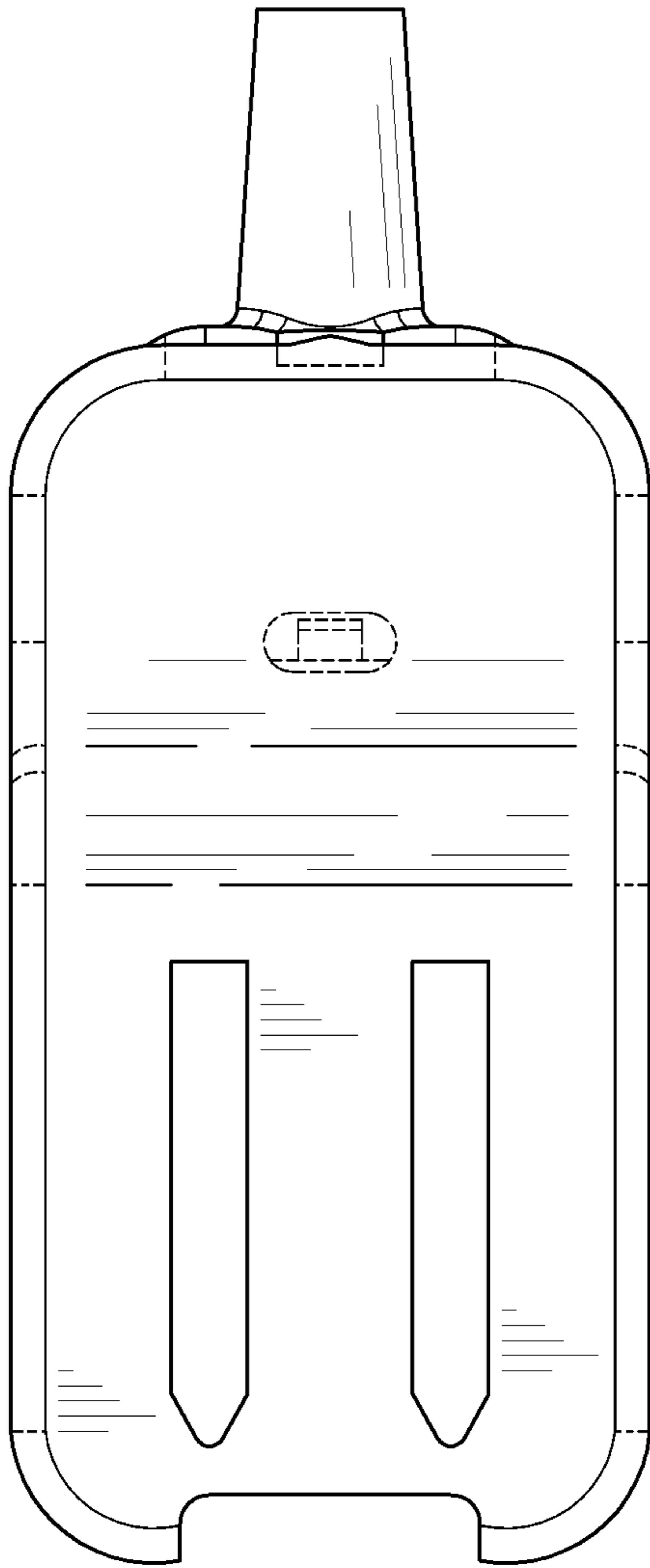


FIG. 2

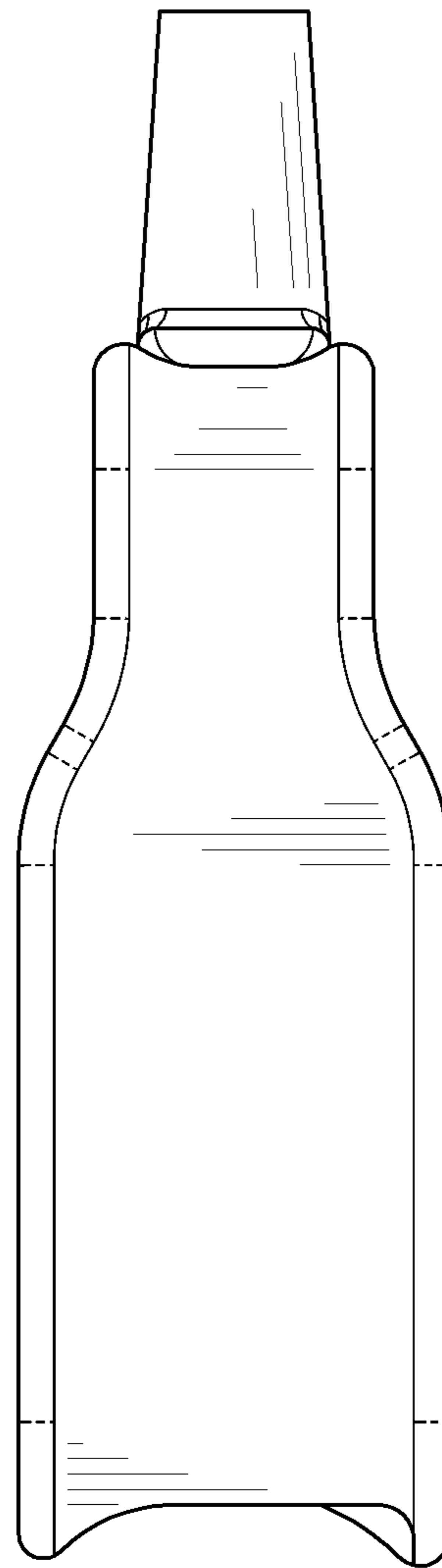


FIG. 3

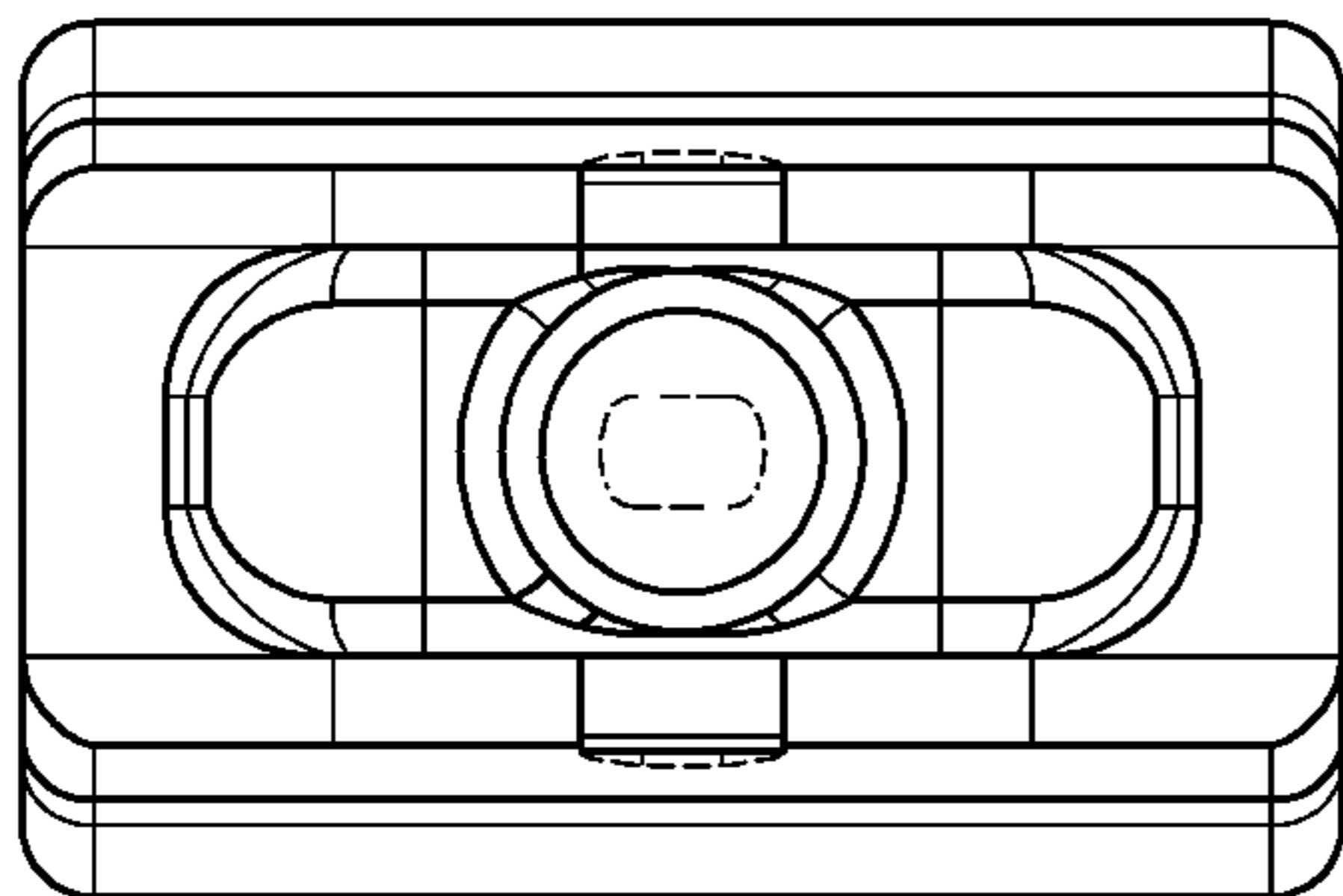


FIG. 4

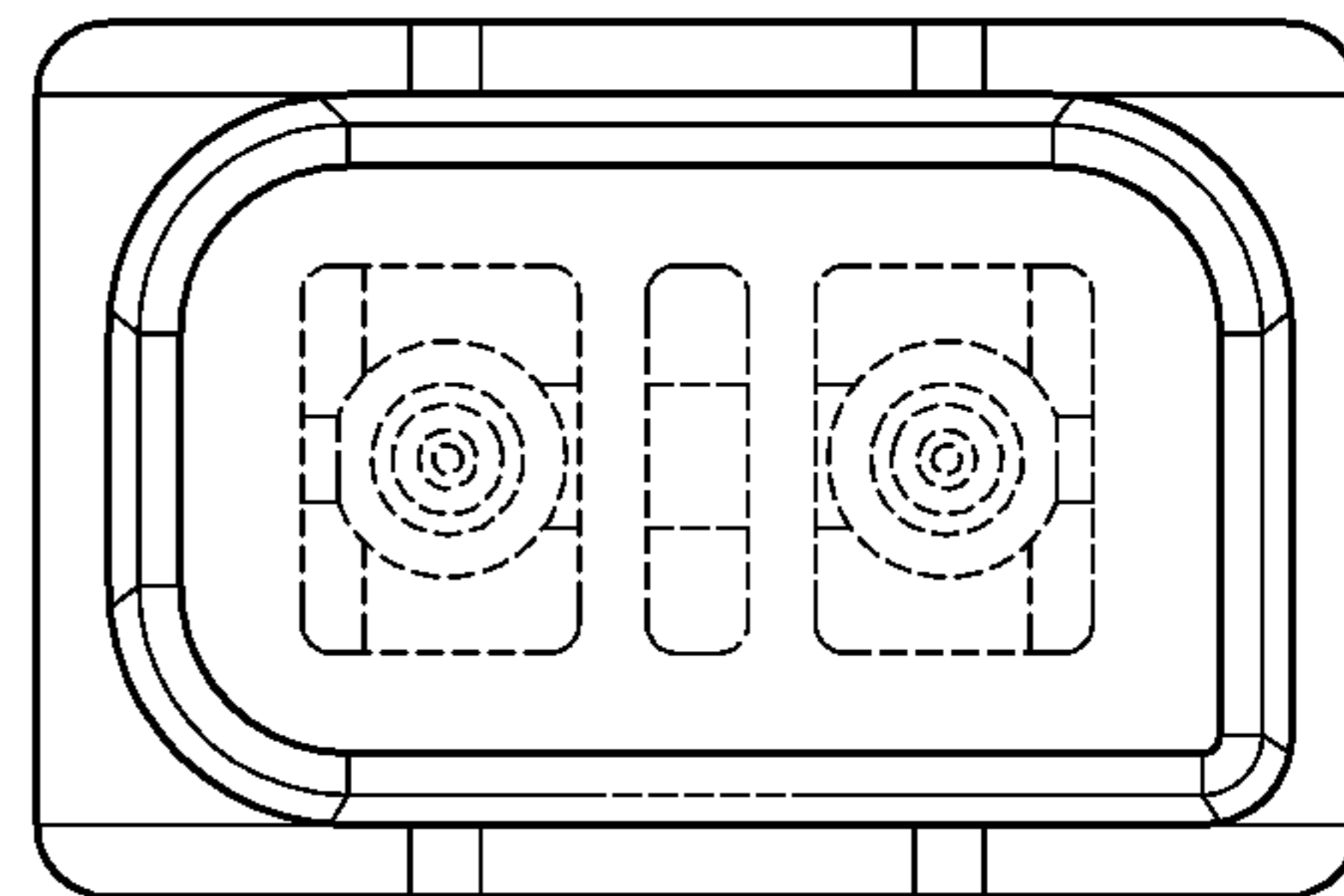


FIG. 5