



US00D743023S

(12) **United States Design Patent**  
**Marshall**

(10) **Patent No.:** **US D743,023 S**

(45) **Date of Patent:** **\*\* Nov. 10, 2015**

(54) **ENTERAL FEEDING PUMP INTERFACE**

(71) Applicant: **Zevex, Inc.**, Salt Lake City, UT (US)

(72) Inventor: **Michael Marshall**, Herriman, UT (US)

(73) Assignee: **ZEVEX, INC.**, Salt Lake City, UT (US)

(\*\*) Term: **14 Years**

(21) Appl. No.: **29/488,027**

(22) Filed: **Apr. 15, 2014**

(51) **LOC (10) Cl.** ..... **24-02**

(52) **U.S. Cl.**  
USPC ..... **D24/111**

(58) **Field of Classification Search**  
USPC ..... D24/107, 111, 127, 185, 186, 232  
CPC ..... A61M 2205/702; A61M 2202/0482;  
A61M 5/14232; A61M 5/142  
See application file for complete search history.

(56) **References Cited**

U.S. PATENT DOCUMENTS

6,523,414	B1	2/2003	Malmstrom et al.	
6,531,708	B1	3/2003	Malmstrom et al.	
6,623,447	B2	9/2003	Miles et al.	
6,749,591	B1	6/2004	McNally et al.	
6,852,094	B2	2/2005	Beck et al.	
7,537,579	B2 *	5/2009	Price	604/65
7,560,686	B2 *	7/2009	Bisch et al.	250/231.1
7,722,562	B2 *	5/2010	Hanlon et al.	604/65
7,722,573	B2 *	5/2010	Harr et al.	604/246
7,758,551	B2 *	7/2010	Wiesner et al.	604/245
7,927,304	B2 *	4/2011	Hudson et al.	604/131
8,062,008	B2 *	11/2011	Voltenburg et al.	417/477.2
D655,810	S *	3/2012	Amborn et al.	D24/111
8,277,196	B2 *	10/2012	Lewis et al.	417/1
8,343,111	B2 *	1/2013	Beck et al.	604/250
8,377,000	B2 *	2/2013	Pfouts	604/151

8,377,001	B2 *	2/2013	Pfouts et al.	604/151
8,425,470	B2 *	4/2013	Beck et al.	604/250
8,689,439	B2 *	4/2014	Pfouts et al.	29/888.022
8,752,436	B2	6/2014	Beck et al.	
9,004,886	B2 *	4/2015	Beck et al.	417/476
2012/0083737	A1 *	4/2012	Beck	604/151
2015/0073338	A1 *	3/2015	Waldhoff et al.	604/66
2015/0088058	A1 *	3/2015	Harr	604/67

OTHER PUBLICATIONS

Zevex Incorporated, "EnteraLite Ambulatory Enteral Feeding Pump—Operator's Manual," 2003, U.S.A., cover page and p. 2.  
Zevex Incorporated, "Infinity Orange Small Volume Enteral Feeding Pump—Operator's Manual," 2008, U.S.A., cover page and p. 1.

\* cited by examiner

*Primary Examiner* — Deanna L Pratt

*Assistant Examiner* — Lilyana Bekic

(74) *Attorney, Agent, or Firm* — Hodgson Russ LLP

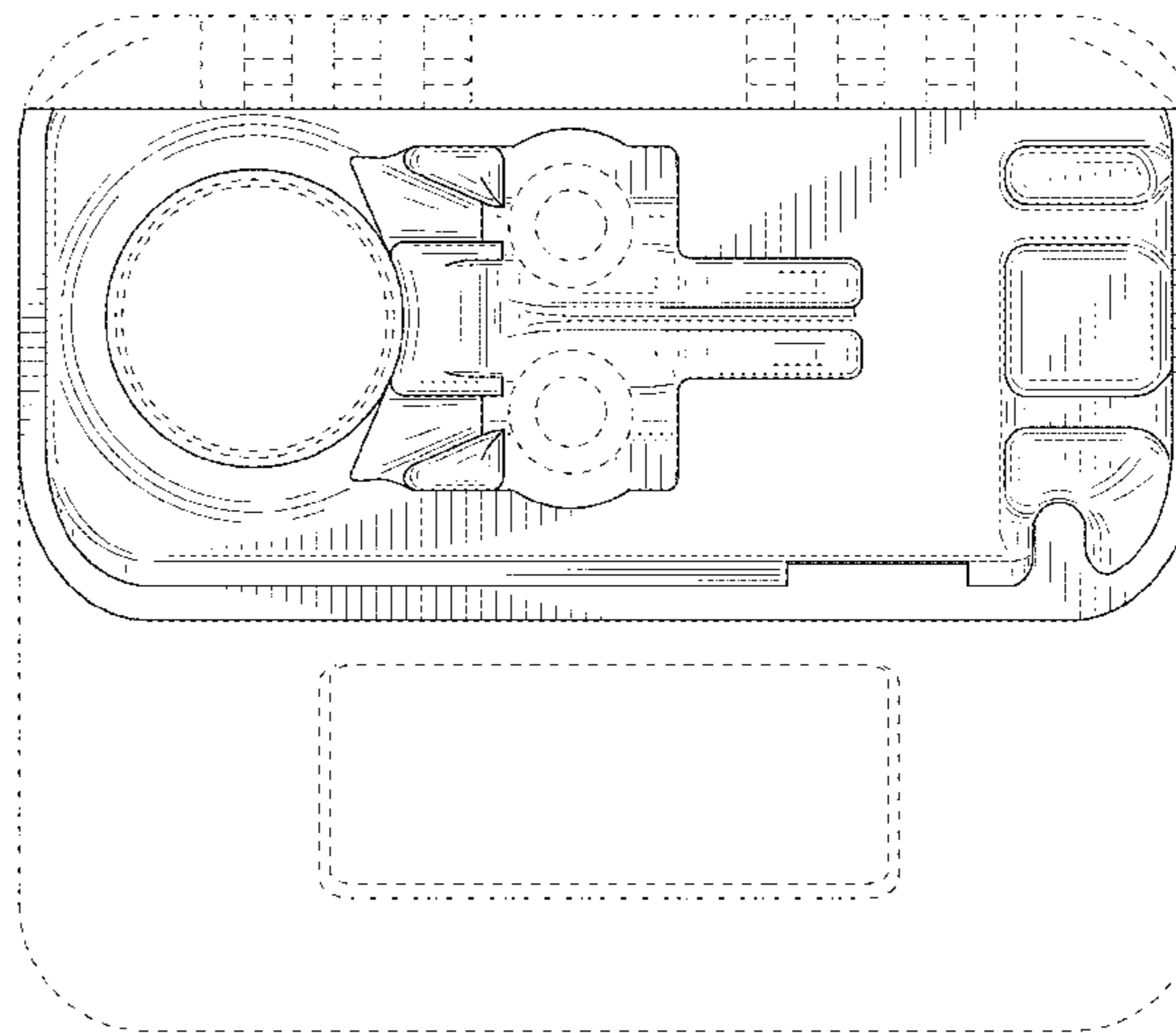
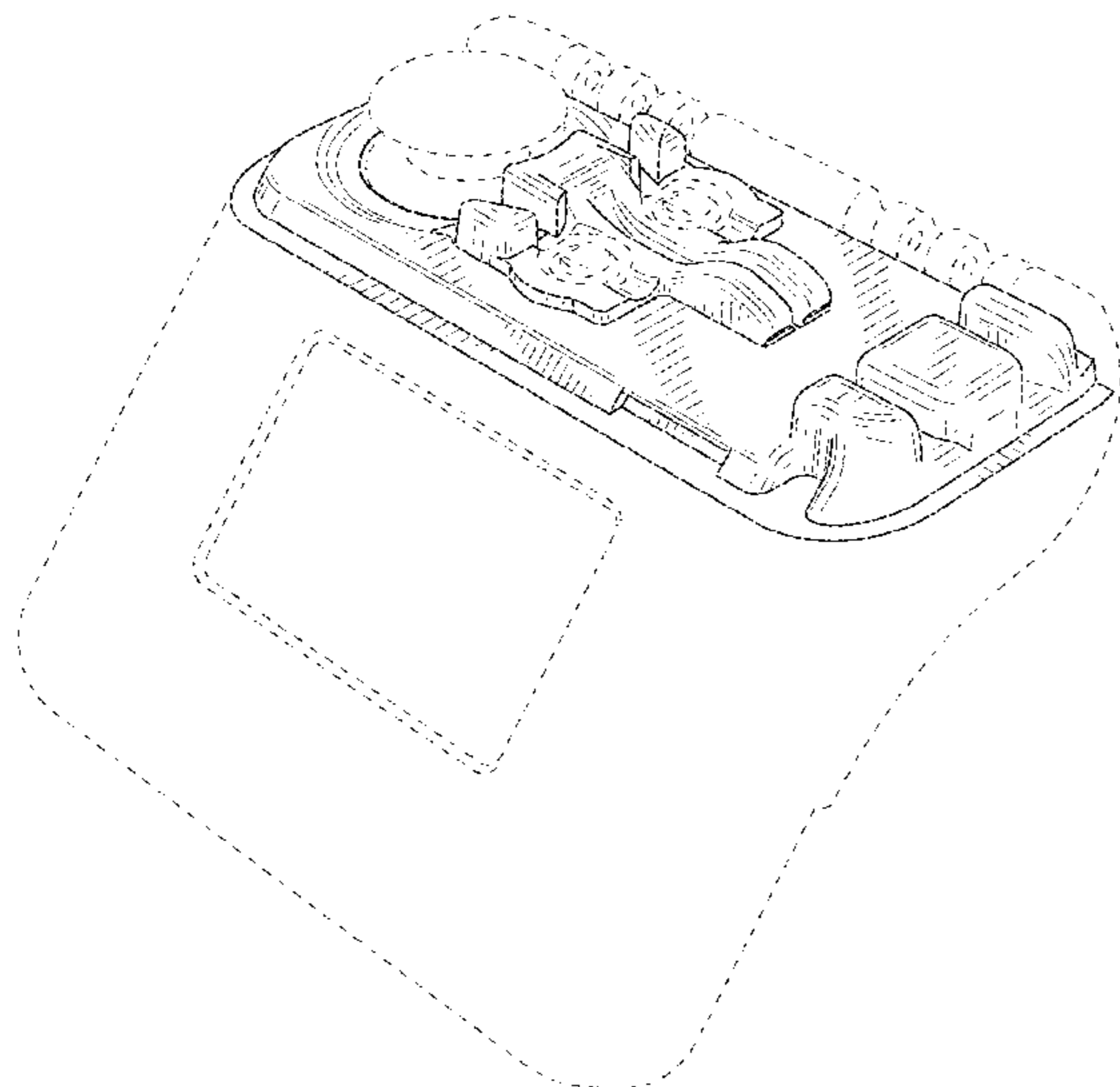
(57) **CLAIM**

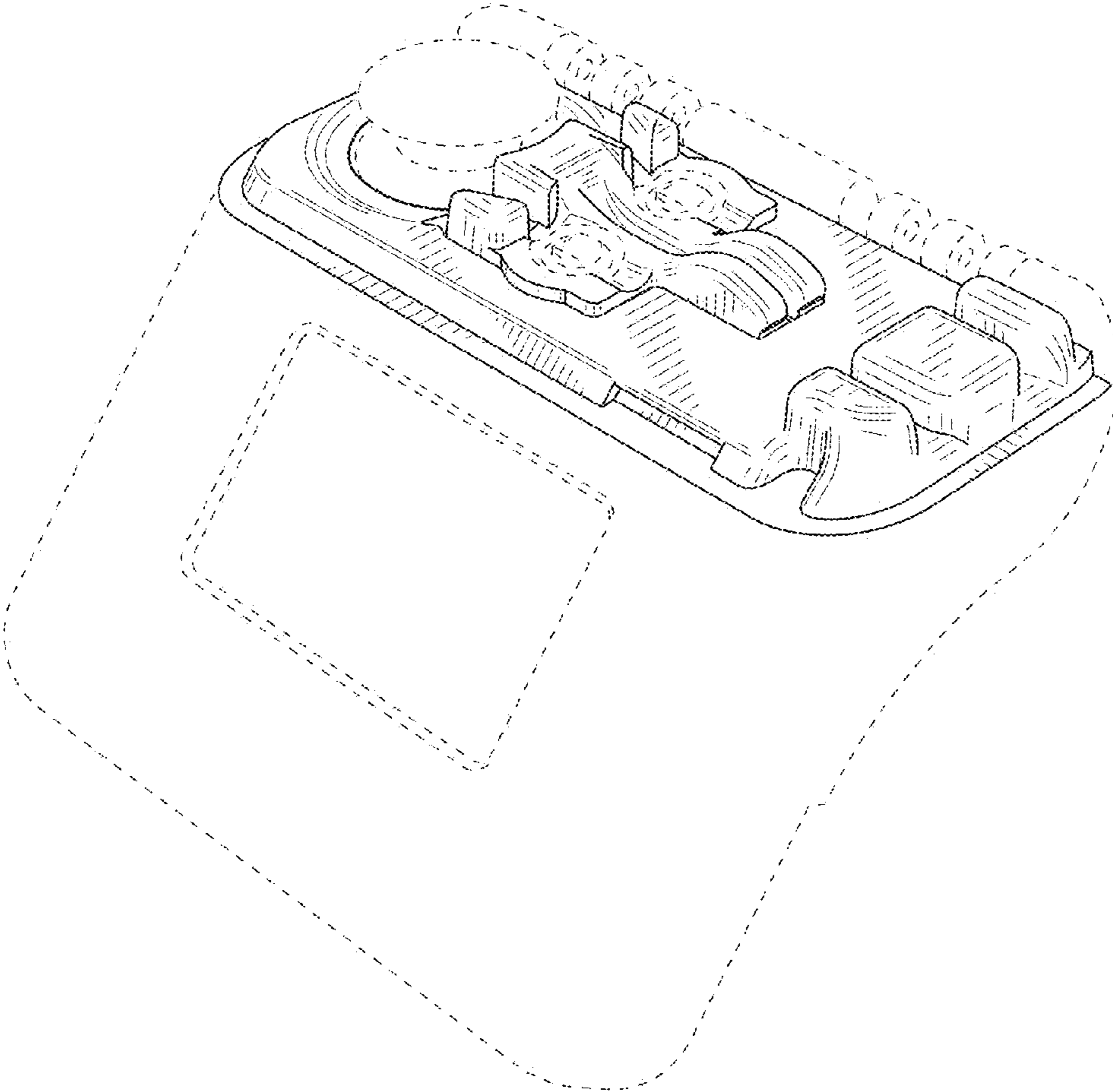
The ornamental design for an enteral feeding pump interface, as shown and described.

**DESCRIPTION**

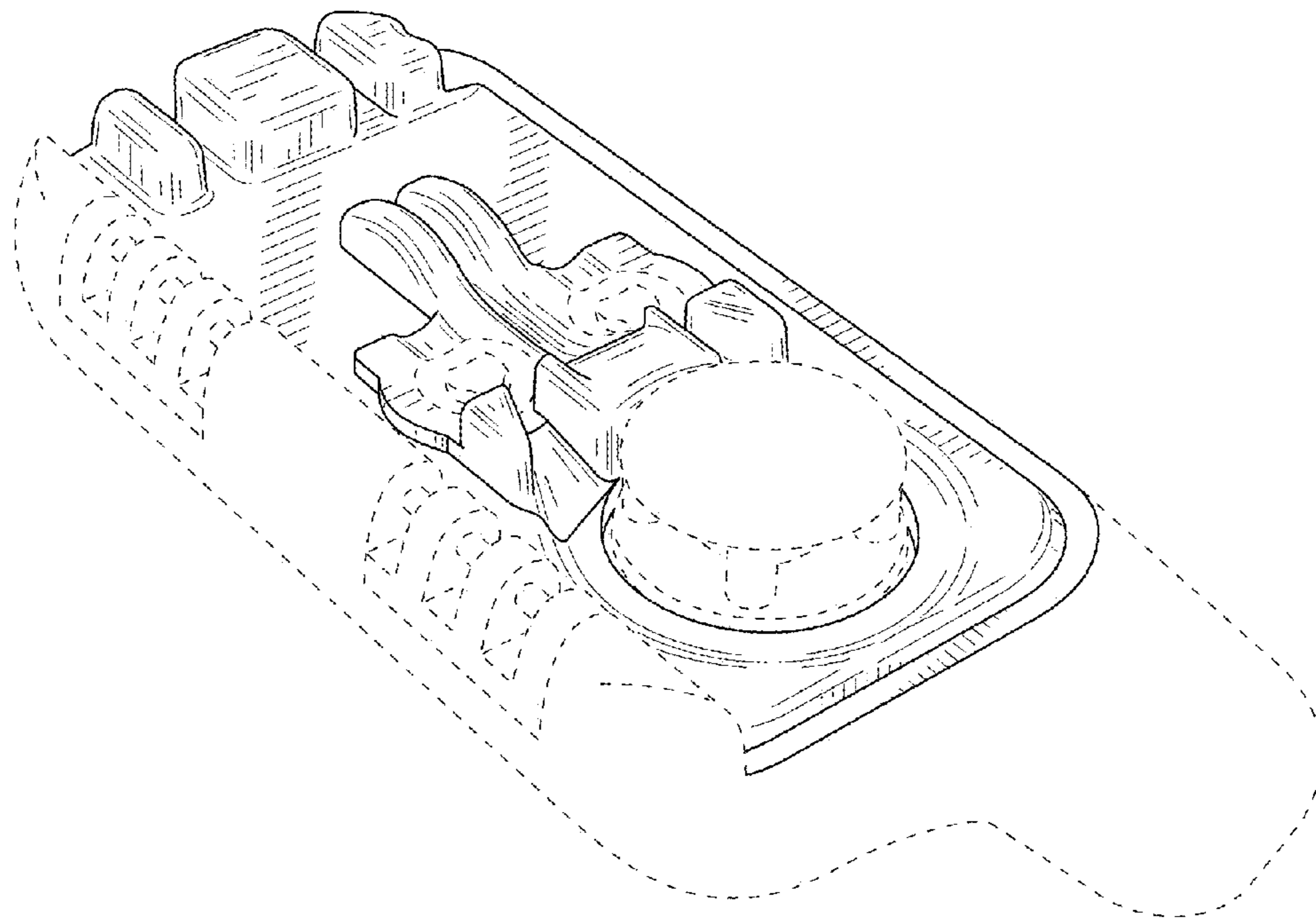
FIG. 1 is a perspective view of an enteral feeding pump interface showing my new design;  
FIG. 2 is another perspective view thereof;  
FIG. 3 is a top view thereof;  
FIG. 4 is a left side view thereof;  
FIG. 5 is a right side view thereof;  
FIG. 6 is a front view thereof; and,  
FIG. 7 is a rear view thereof.  
The broken lines in the drawings illustrate features of the enteral feeding pump interface which form no part of the claimed design.

**1 Claim, 7 Drawing Sheets**

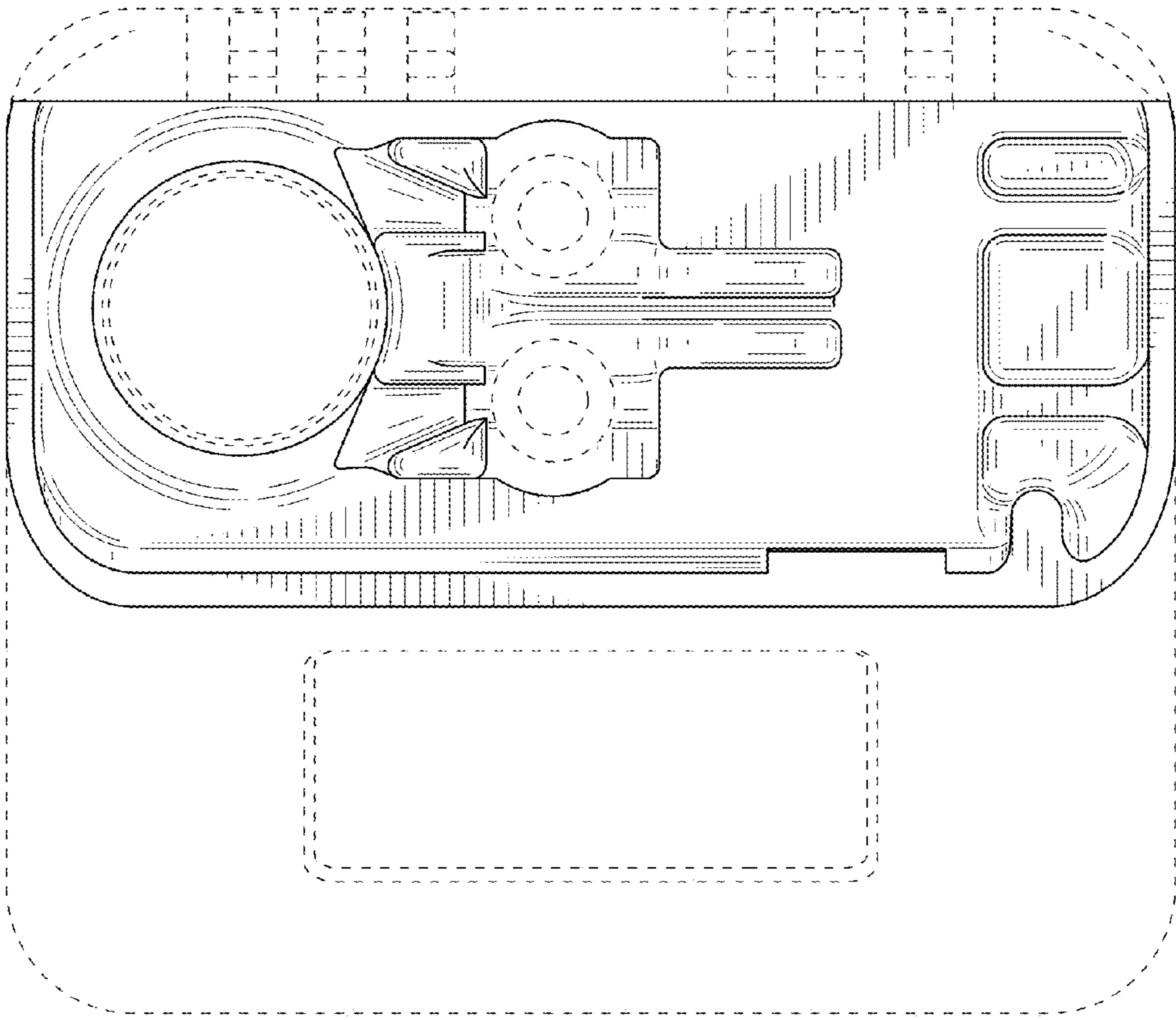




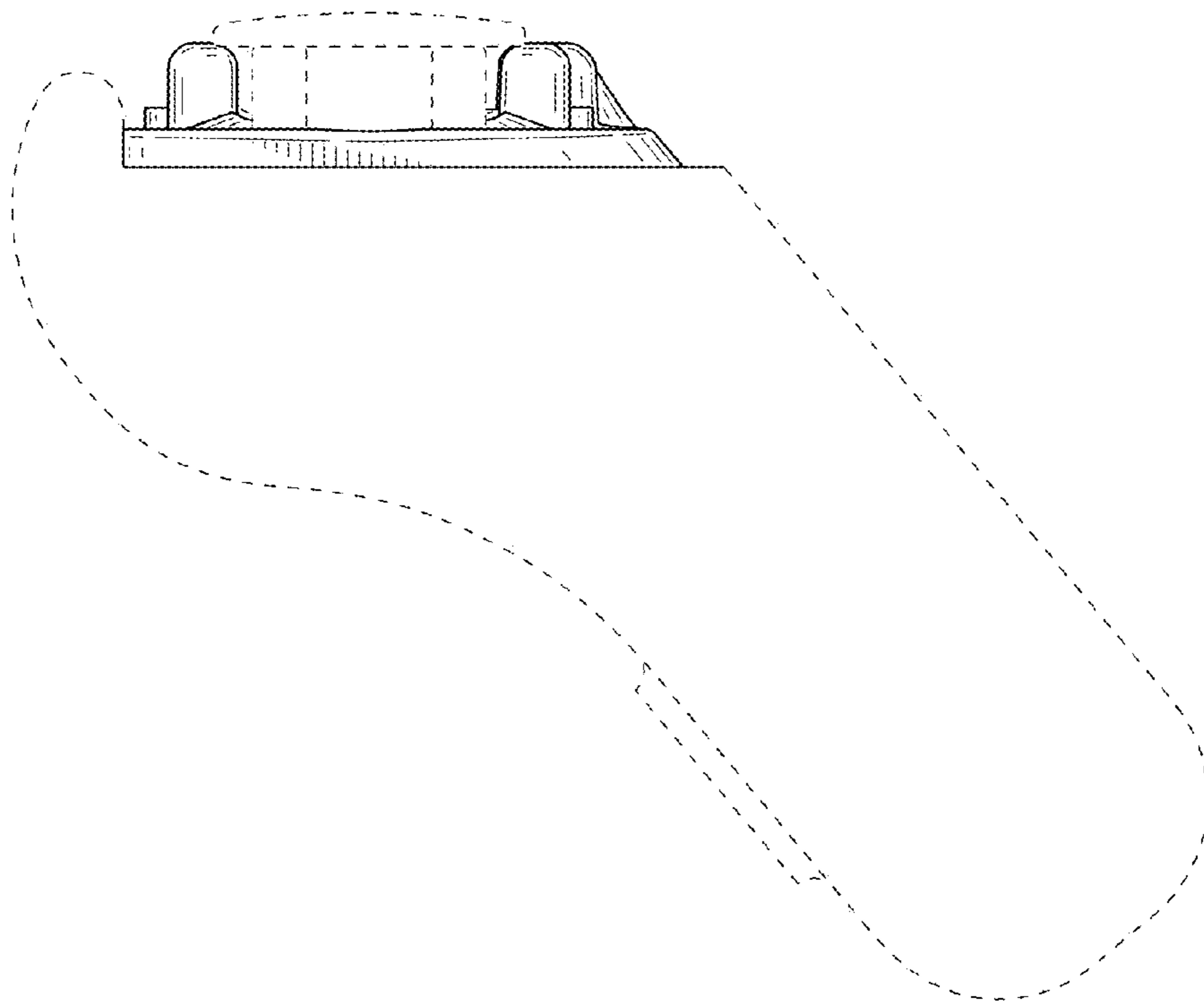
**FIG. 1**



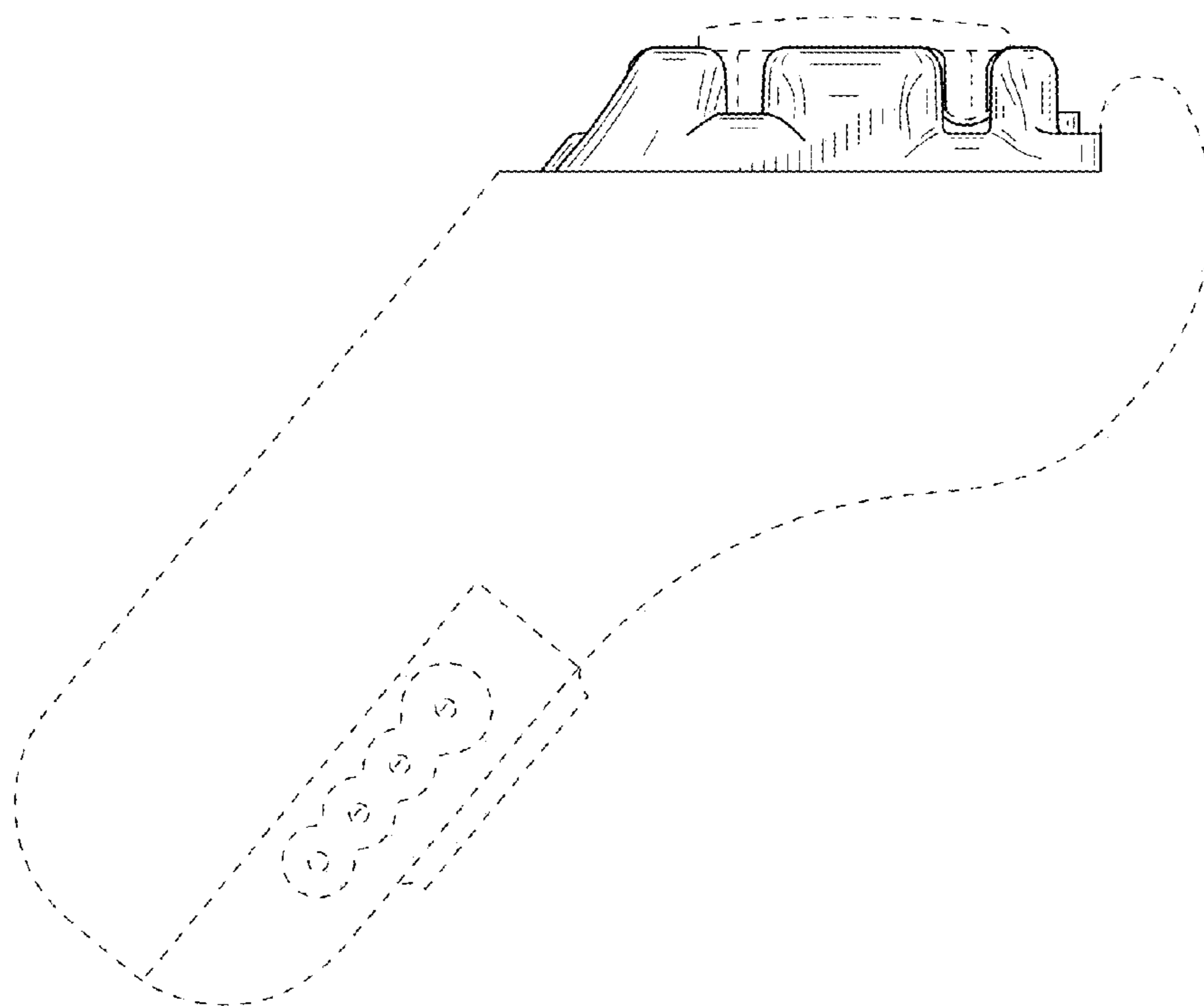
**FIG. 2**



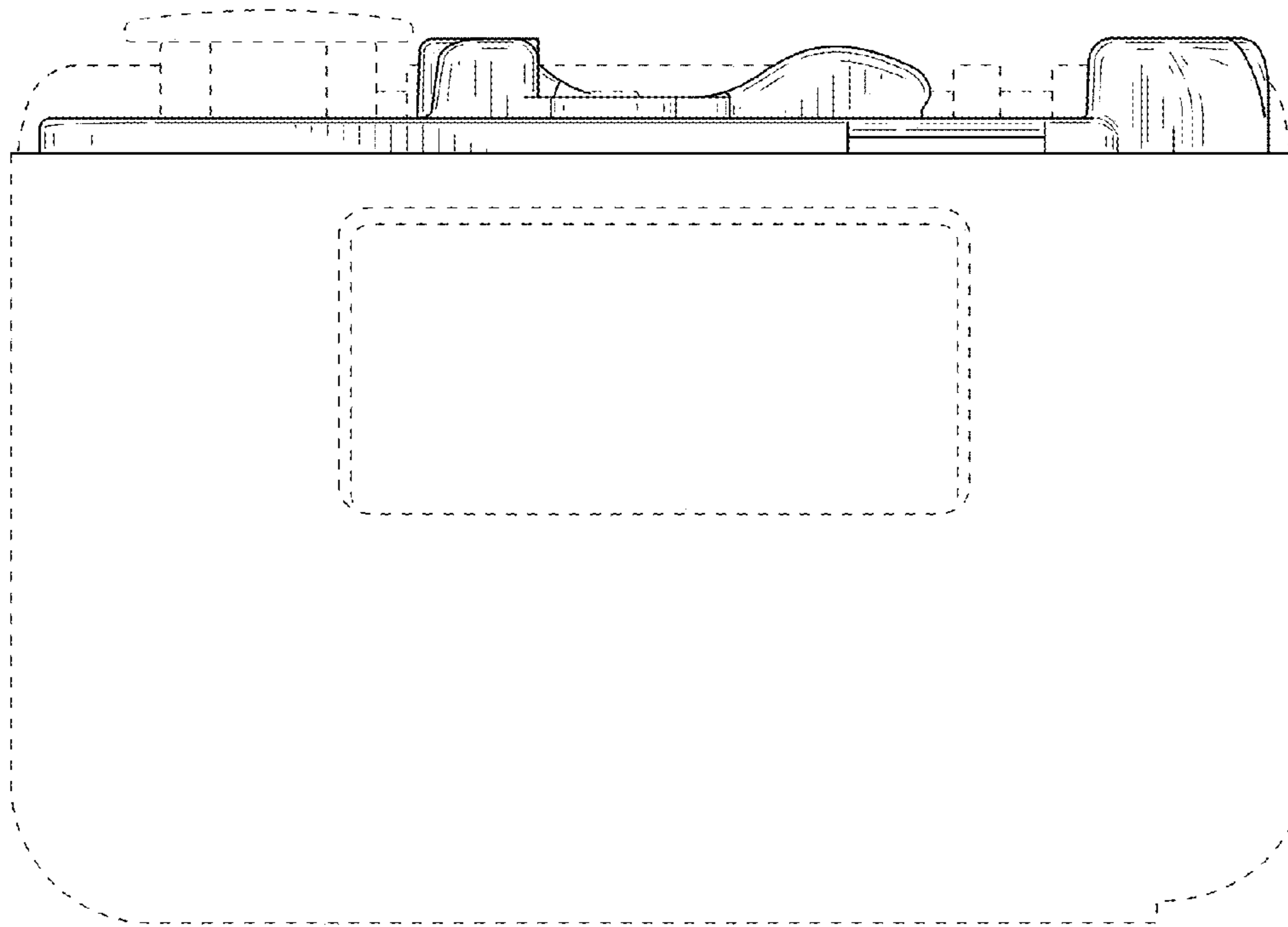
**FIG. 3**



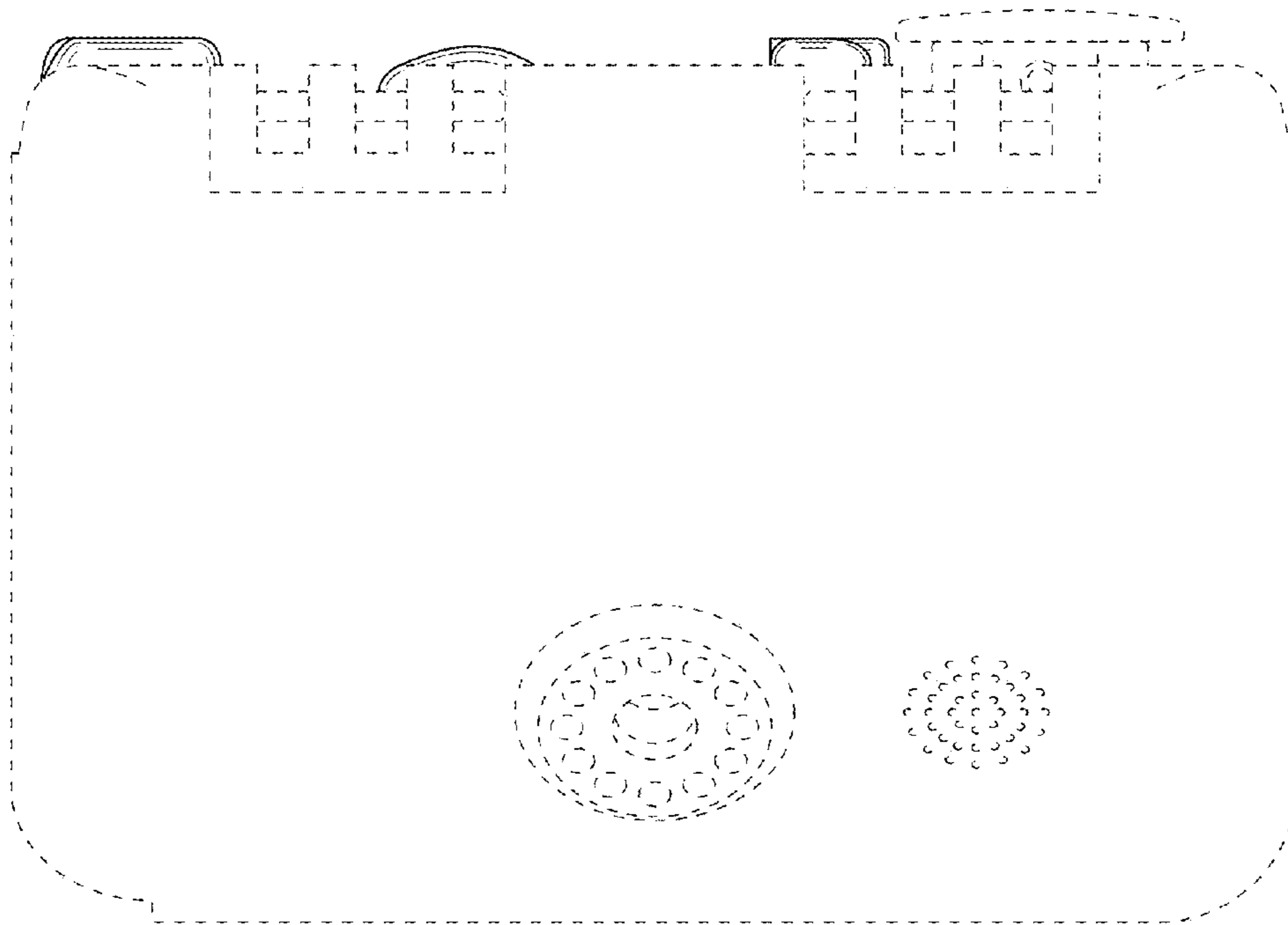
**FIG. 4**



**FIG. 5**



**FIG. 6**



**FIG. 7**