



US00D743022S

(12) **United States Design Patent**
Chien

(10) **Patent No.:** **US D743,022 S**

(45) **Date of Patent:** **** Nov. 10, 2015**

(54) **RESPIRATORY MASK**

(74) *Attorney, Agent, or Firm* — Ming Chow; Sinorica, LLC

(71) Applicant: **APEX MEDICAL CORP.**, New Taipei (TW)

(57) **CLAIM**

The ornamental design for respiratory mask, as shown and described.

(72) Inventor: **Chih-Tsan Chien**, New Taipei (TW)

(73) Assignee: **APEX MEDICAL CORP.**, New Taipei (TW)

DESCRIPTION

(**) Term: **14 Years**

(21) Appl. No.: **29/484,177**

(22) Filed: **Mar. 6, 2014**

(30) **Foreign Application Priority Data**

Sep. 6, 2013 (TW) 102305985

(51) **LOC (10) Cl.** **29-02**

(52) **U.S. Cl.**
USPC **D24/110.4**

(58) **Field of Classification Search**

USPC D24/110–110.6; 128/206.12, 206.23, 128/206.24, 206.28, 205.27, 201.17, 201.22

CPC A61M 16/0622; A61M 16/0616; A61M 16/0816; A61M 16/08; A61M 16/0633; A61M 16/06; A61M 16/0666; A61M 2210/0618; A61M 16/0683

See application file for complete search history.

(56) **References Cited**

U.S. PATENT DOCUMENTS

D558,333 S * 12/2007 Hitchcock et al. D24/110.1
D600,343 S * 9/2009 Degabriele et al. D24/110.1
D612,481 S * 3/2010 Reid et al. D24/110.1
D612,482 S * 3/2010 Degabriele et al. D24/110.1
D637,283 S * 5/2011 Selvarajan et al. D24/110.1

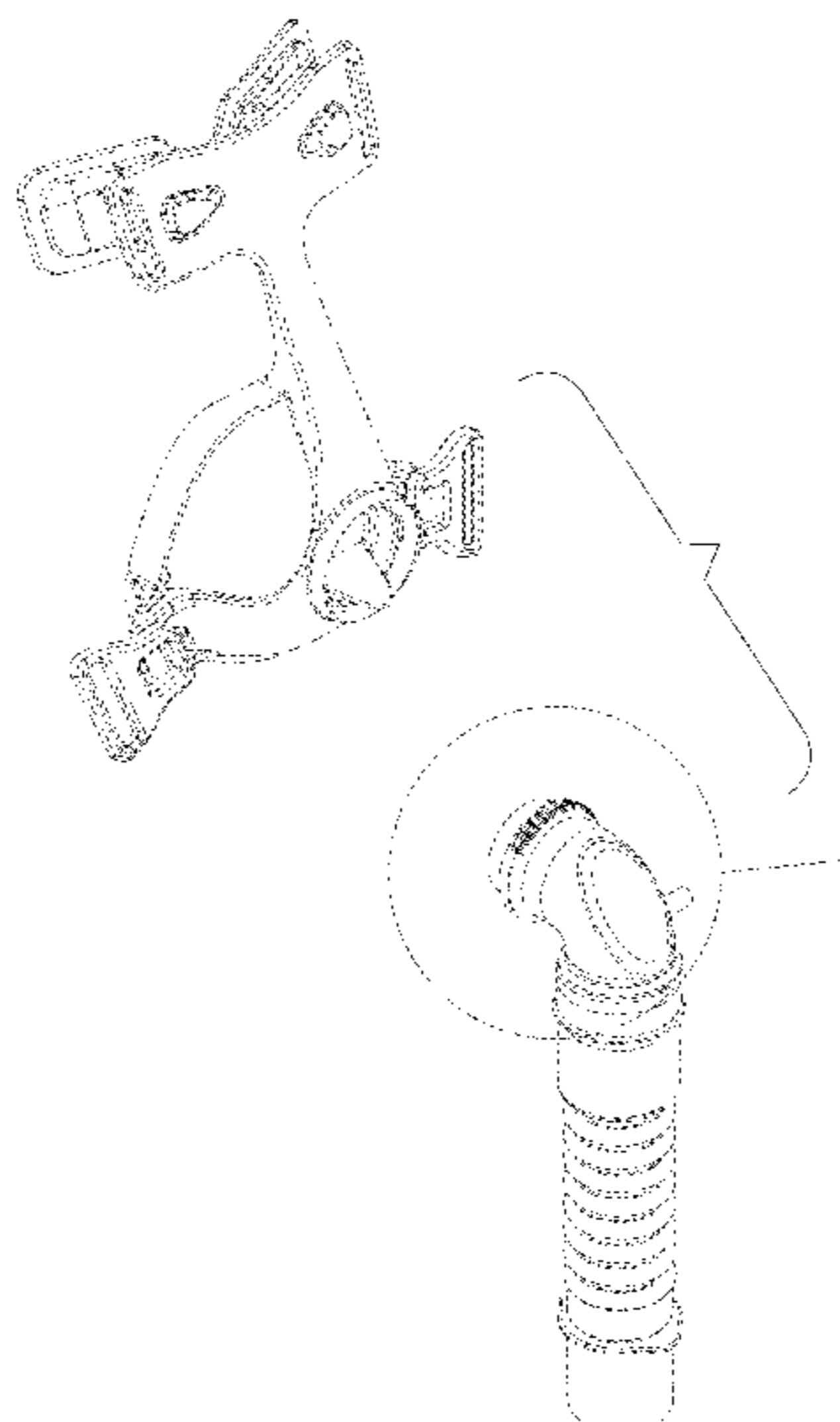
(Continued)

Primary Examiner — Deanna L Pratt

Assistant Examiner — Lilyana Bekic

FIG. 1 is a left perspective view of a respiratory mask in a detached configuration;
FIG. 2 is a right perspective view thereof;
FIG. 3 is a front elevational view thereof;
FIG. 4 is a rear elevational view thereof;
FIG. 5 is a top plan view thereof;
FIG. 6 is a right side view thereof;
FIG. 7 is a left side view thereof;
FIG. 8 is an enlarged left perspective view of an elbow portion of the respiratory mask, as illustrated in FIG. 1;
FIG. 9 is an enlarged right perspective view of an elbow portion of the respiratory mask, as illustrated in FIG. 2;
FIG. 10 is an enlarged front elevational view of an elbow portion of the respiratory mask, as illustrated in FIG. 3;
FIG. 11 is an enlarged rear elevational view of an elbow portion of the respiratory mask, as illustrated in FIG. 4;
FIG. 12 is an enlarged top plan view of an elbow portion of the respiratory mask, as illustrated in FIG. 5;
FIG. 13 is an enlarged right side elevational view of an elbow portion of the respiratory mask, as illustrated in FIG. 6;
FIG. 14 is an enlarged left side elevational view of an elbow portion of the respiratory mask, as illustrated in FIG. 7;
FIG. 15 is a left perspective view of the respiratory mask in an assembled configuration;
FIG. 16 is a right perspective view thereof;
FIG. 17 is an enlarged left front perspective view of an elbow portion of a respiratory mask, as illustrated in FIG. 15; and, FIG. 18 is an enlarged right front perspective view of an elbow portion of a respiratory mask, as illustrated in FIG. 16. The broken lines shown are included for the purposes of illustrating the unclaimed portions of the article and form no part of the claimed design.

1 Claim, 18 Drawing Sheets



(56)

References Cited

U.S. PATENT DOCUMENTS

D652,913 S * 1/2012 Selvarajan et al. D24/110.1
D678,999 S * 3/2013 Selvarajan et al. D24/110
D681,191 S * 4/2013 Shick et al. D24/110.1
D691,713 S * 10/2013 Fahy et al. D24/110.1
D692,999 S * 11/2013 Huth et al. D24/110
D693,459 S * 11/2013 Prentice et al. D24/110.4

8,875,709 B2 * 11/2014 Davidson et al. 128/206.28
2010/0319700 A1 * 12/2010 Ng et al. 128/206.28
2011/0056495 A1 * 3/2011 Ho 128/204.18
2011/0240030 A1 * 10/2011 Ho et al. 128/206.21
2013/0037030 A1 * 2/2013 Matula, Jr. 128/205.25
2013/0186404 A1 * 7/2013 Chien 128/206.21
2014/0299134 A1 * 10/2014 Matula 128/205.25
2015/0059763 A1 * 3/2015 Chien et al. 128/206.26

* cited by examiner

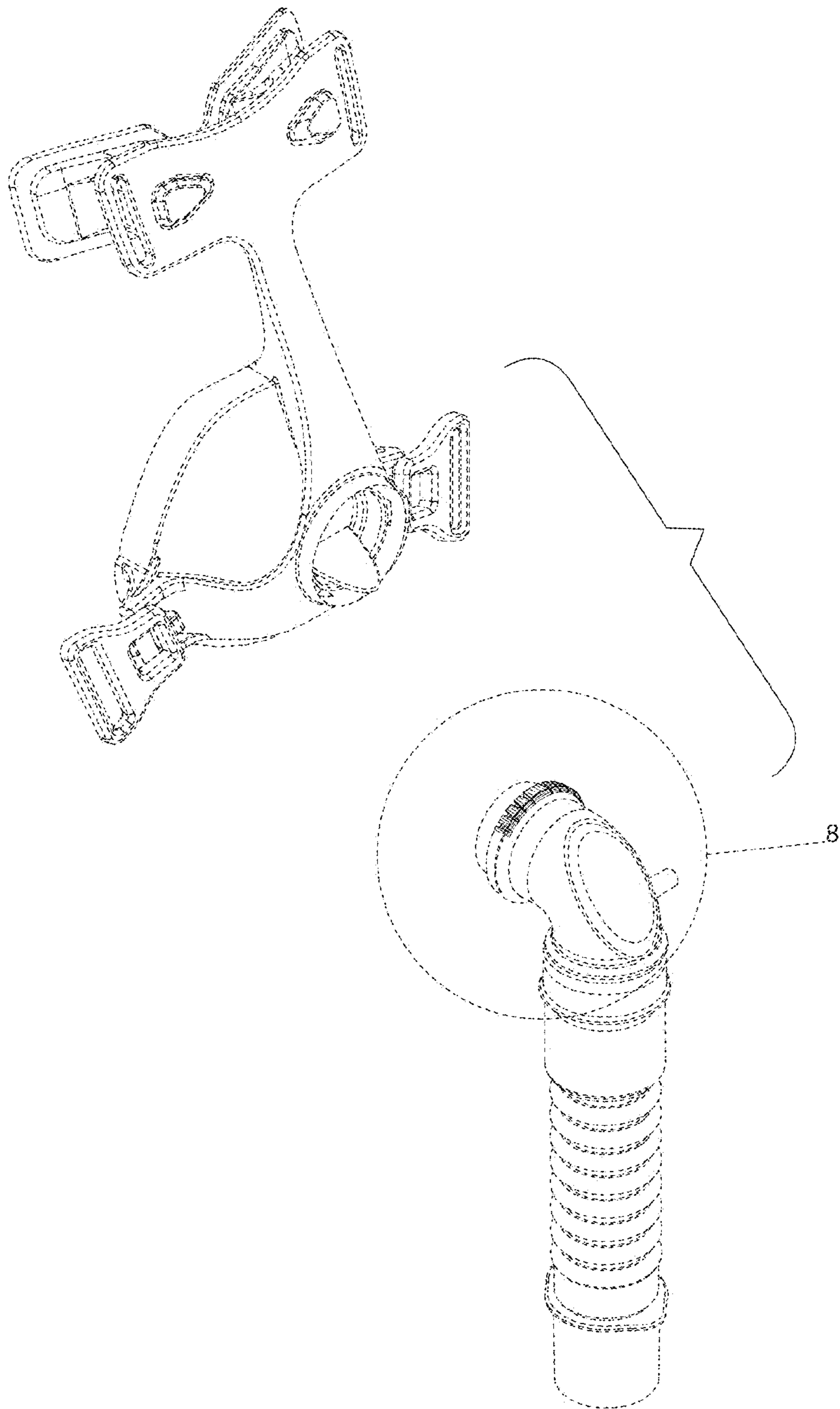


FIG. 1

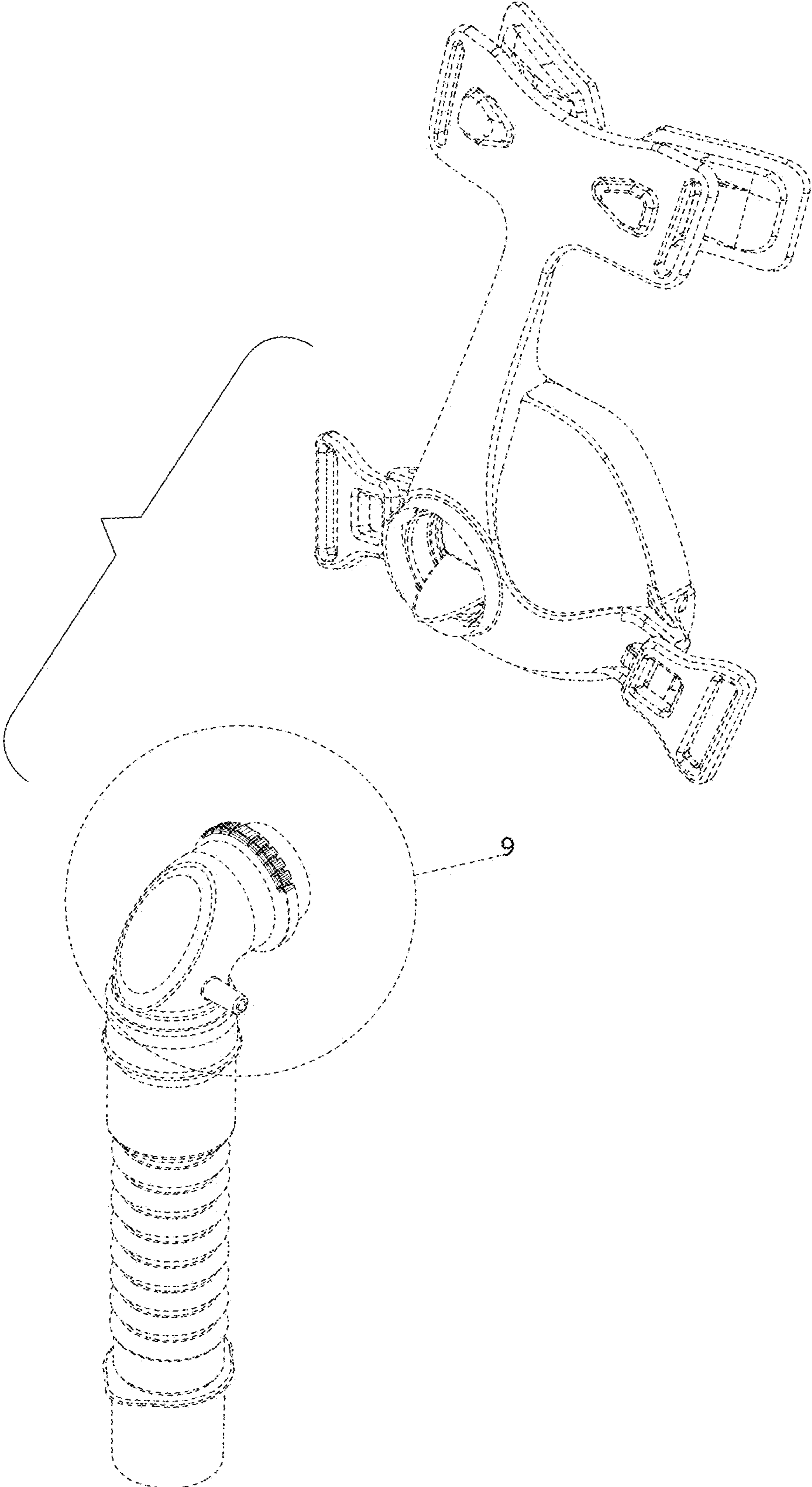


FIG. 2

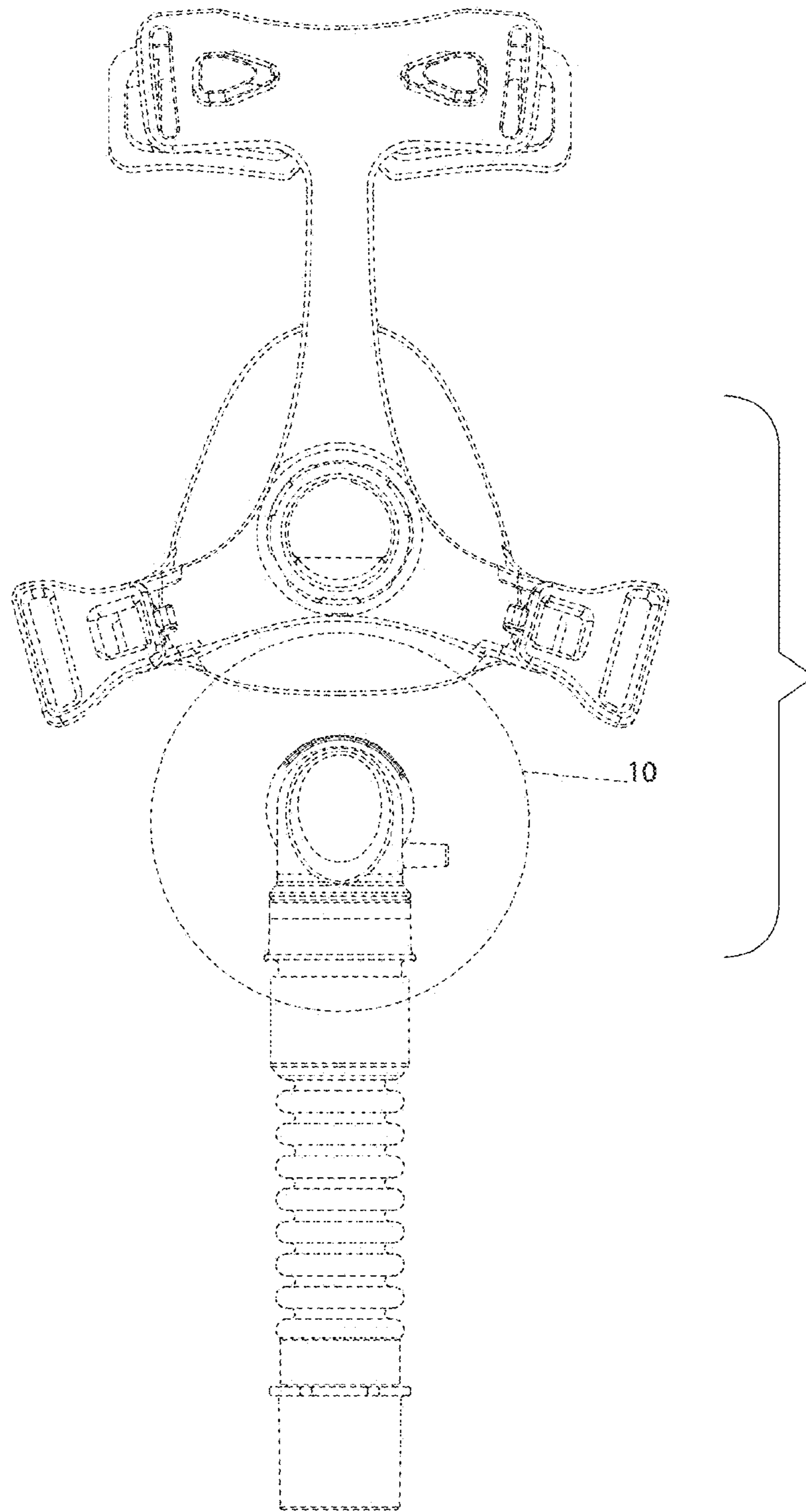


FIG. 3

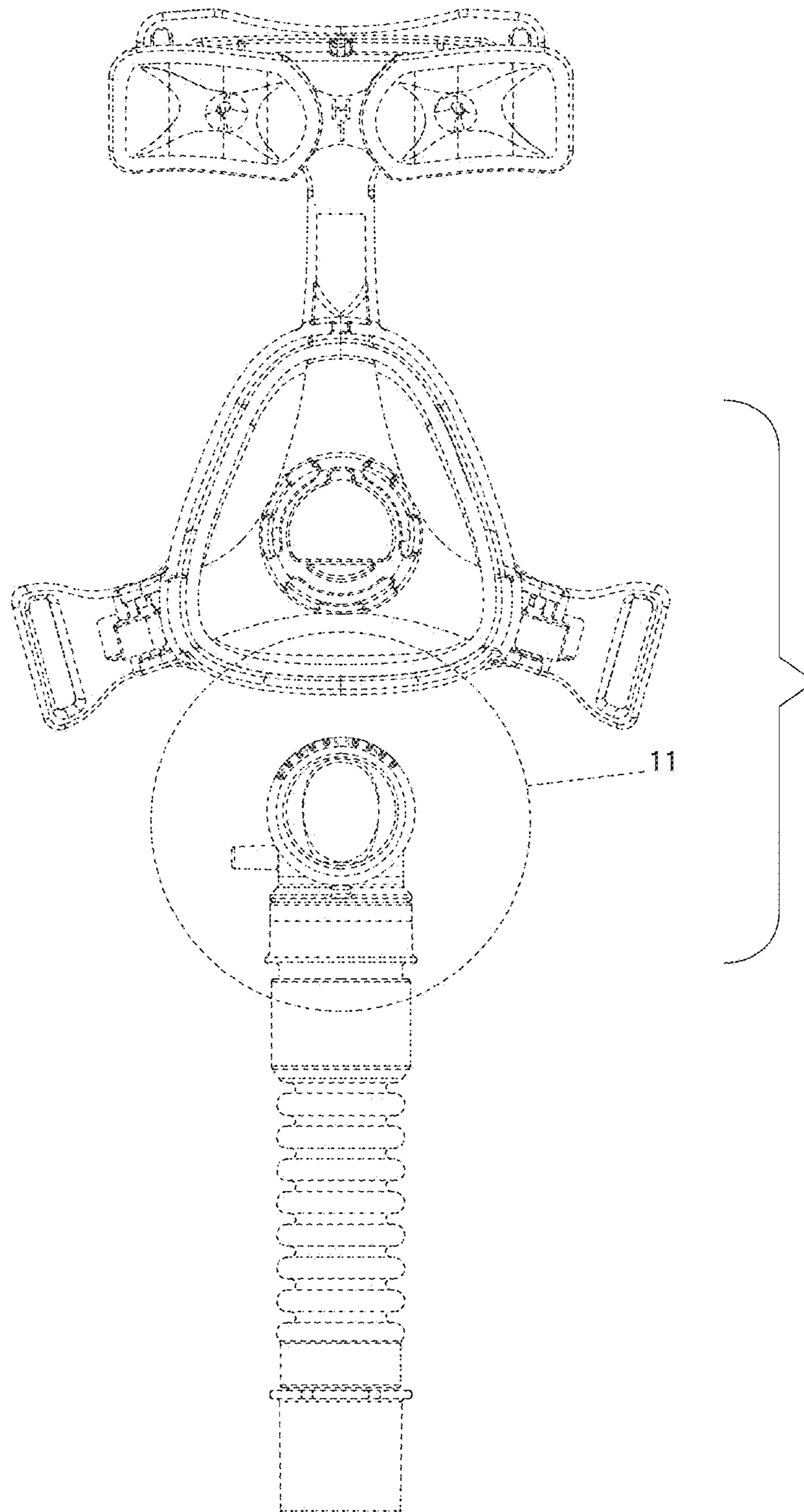


FIG. 4

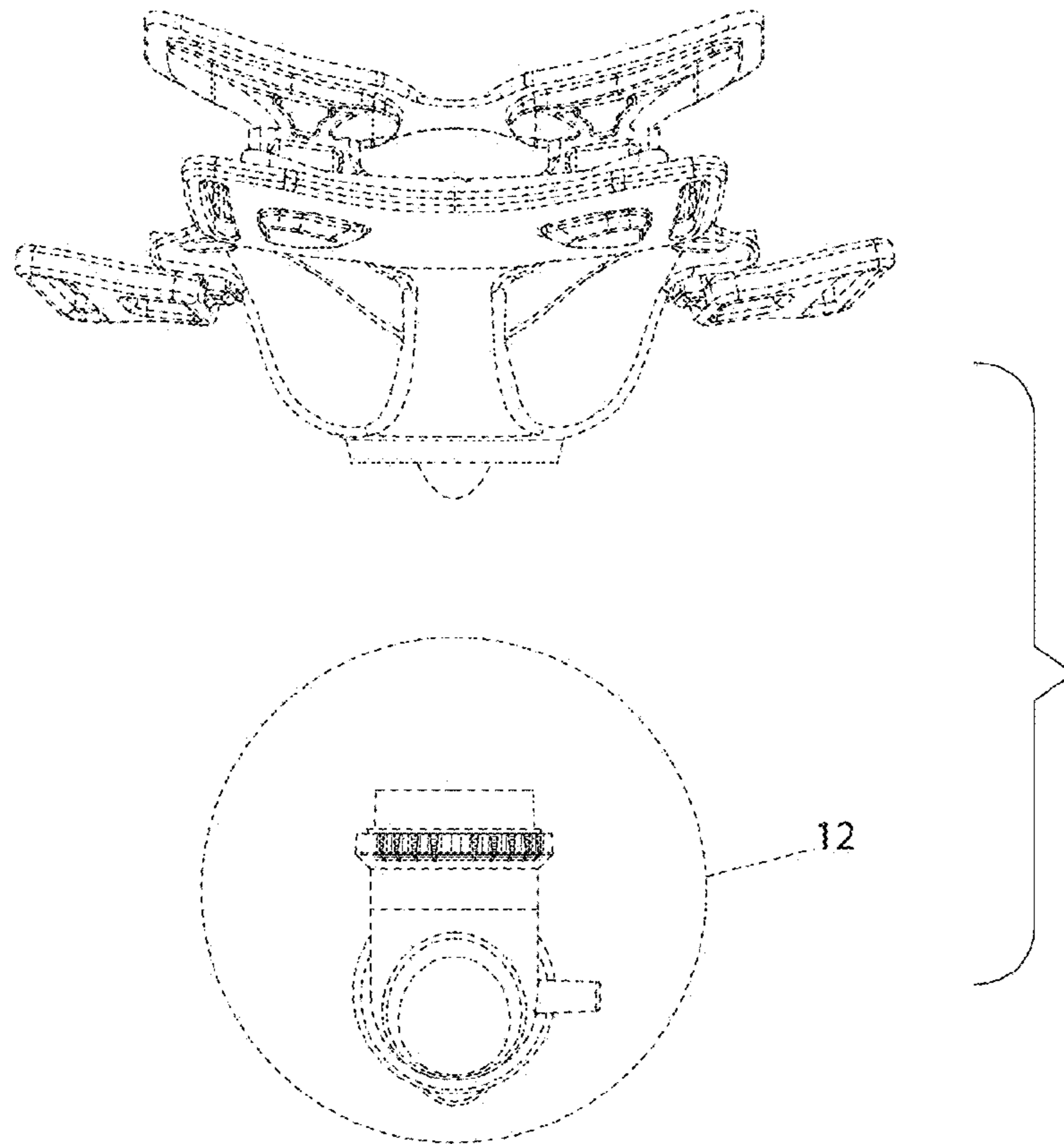


FIG. 5

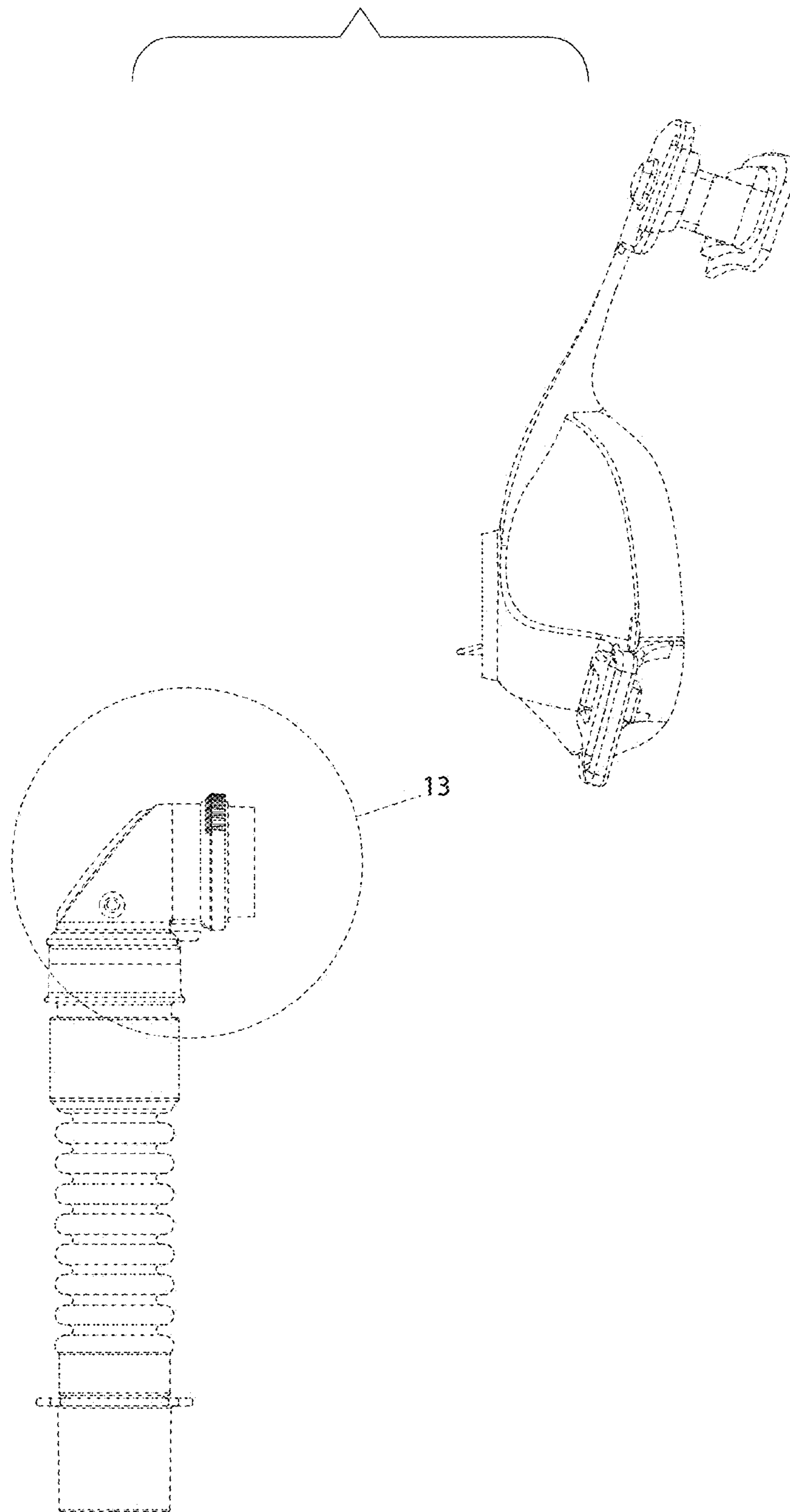


FIG. 6

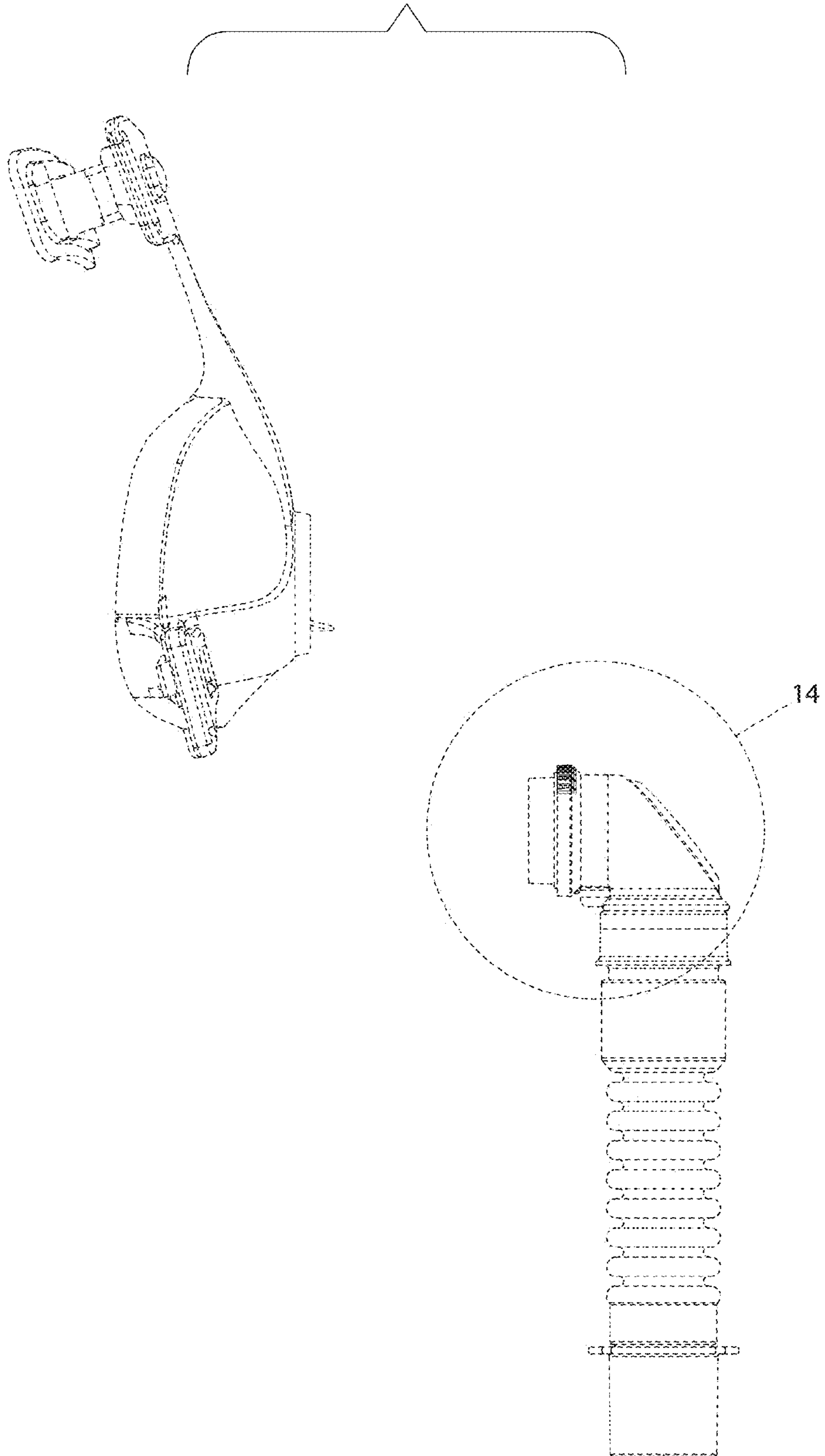


FIG. 7

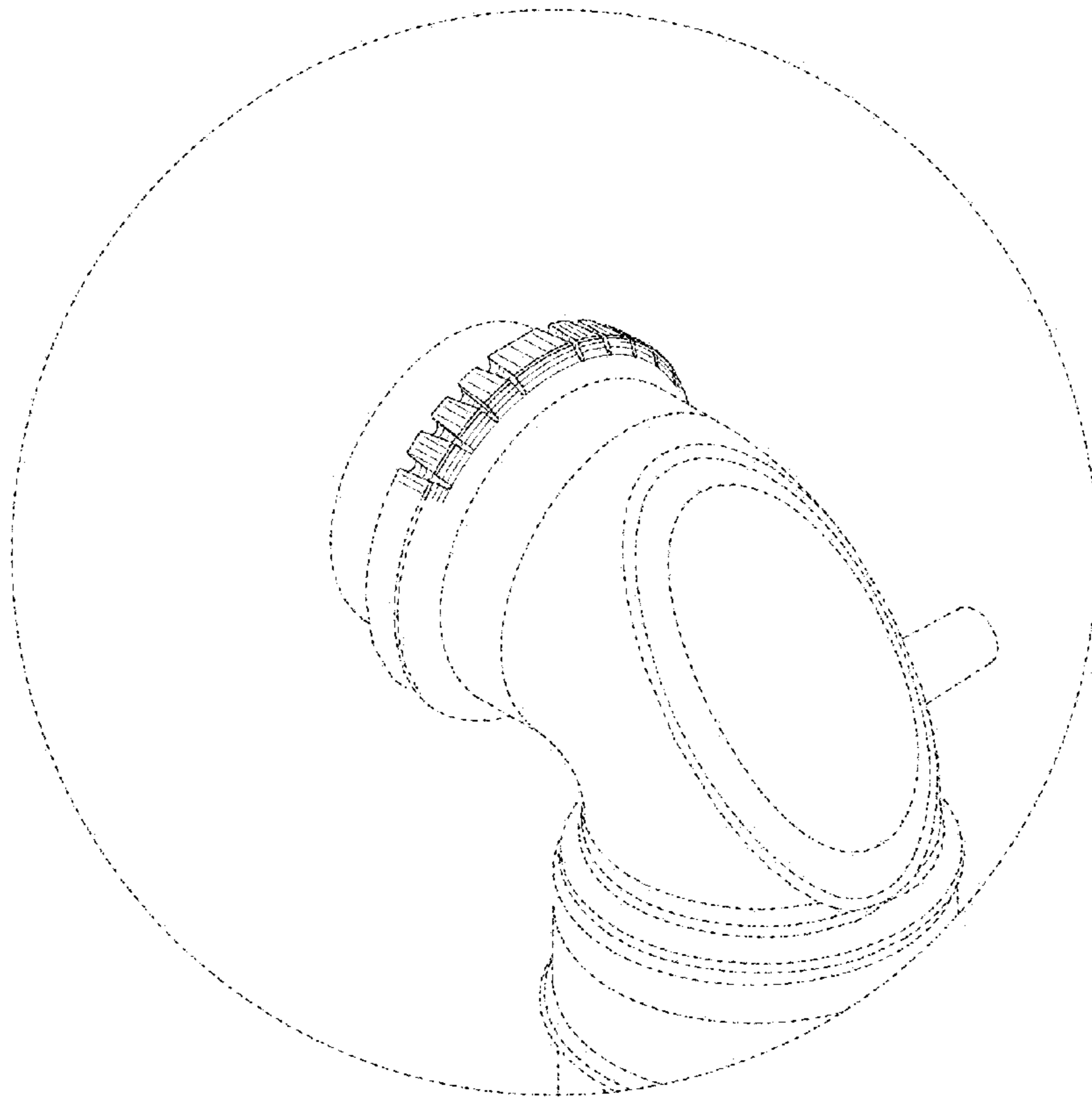


FIG. 8

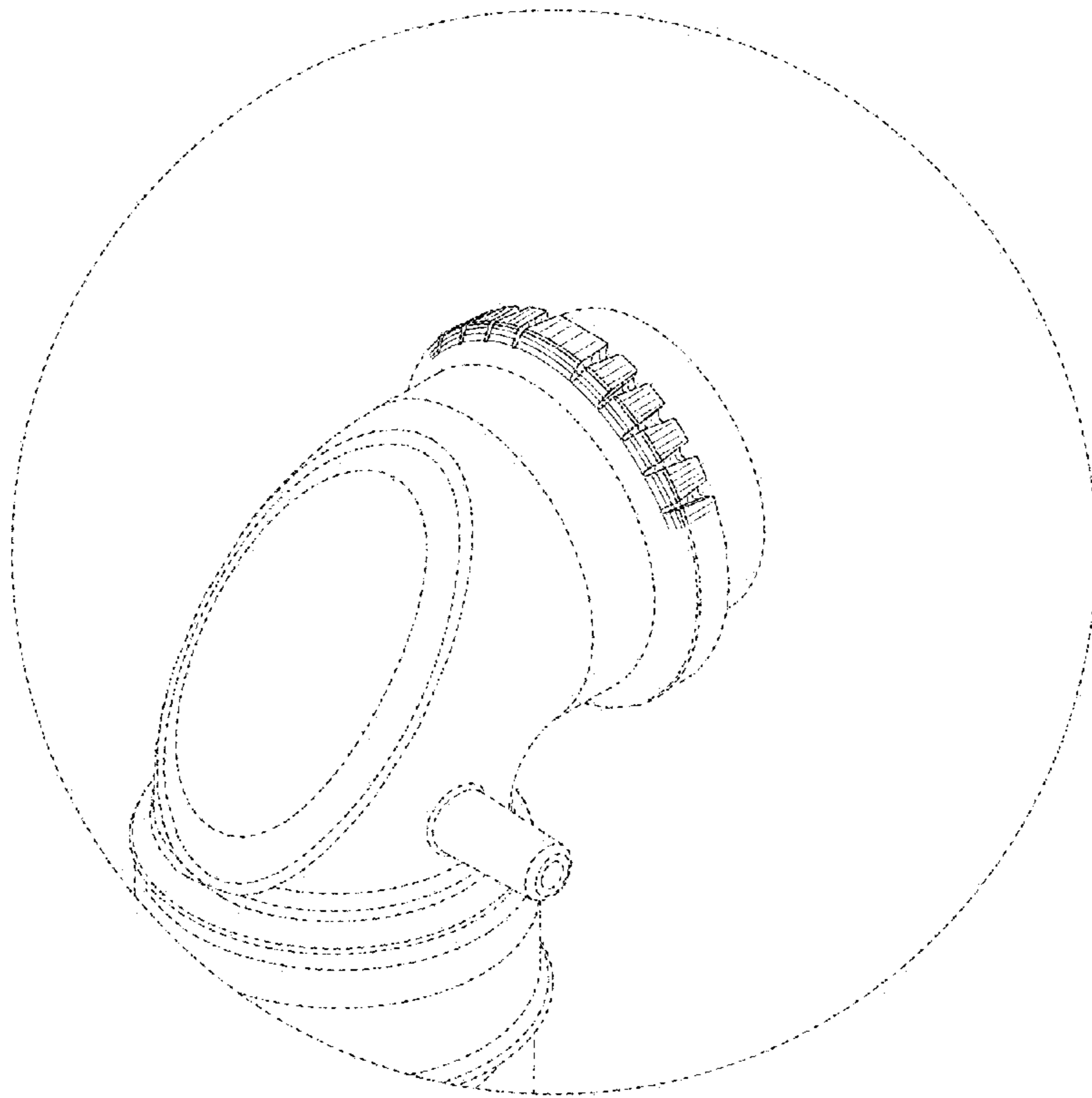


FIG. 9

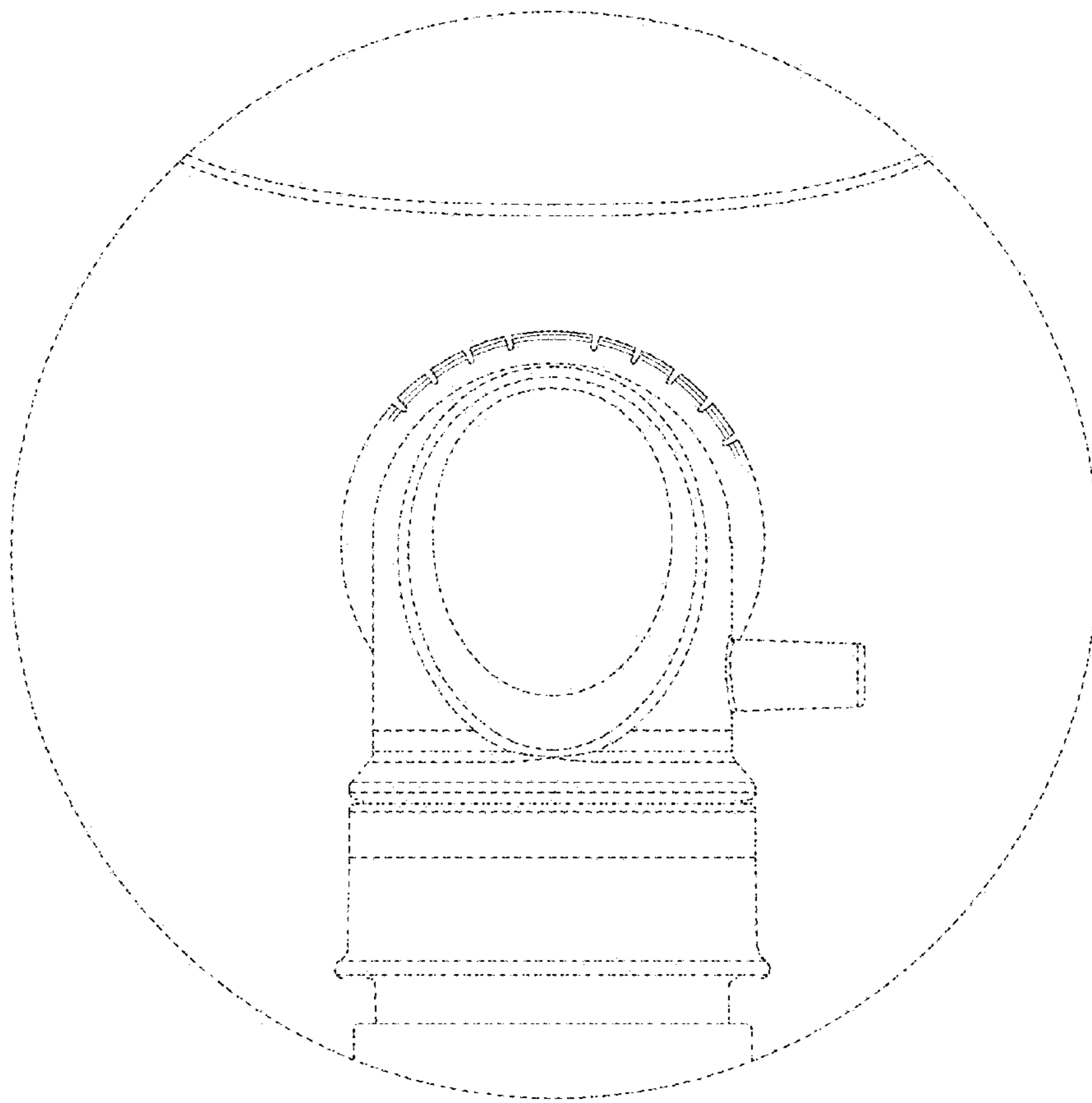


FIG. 10

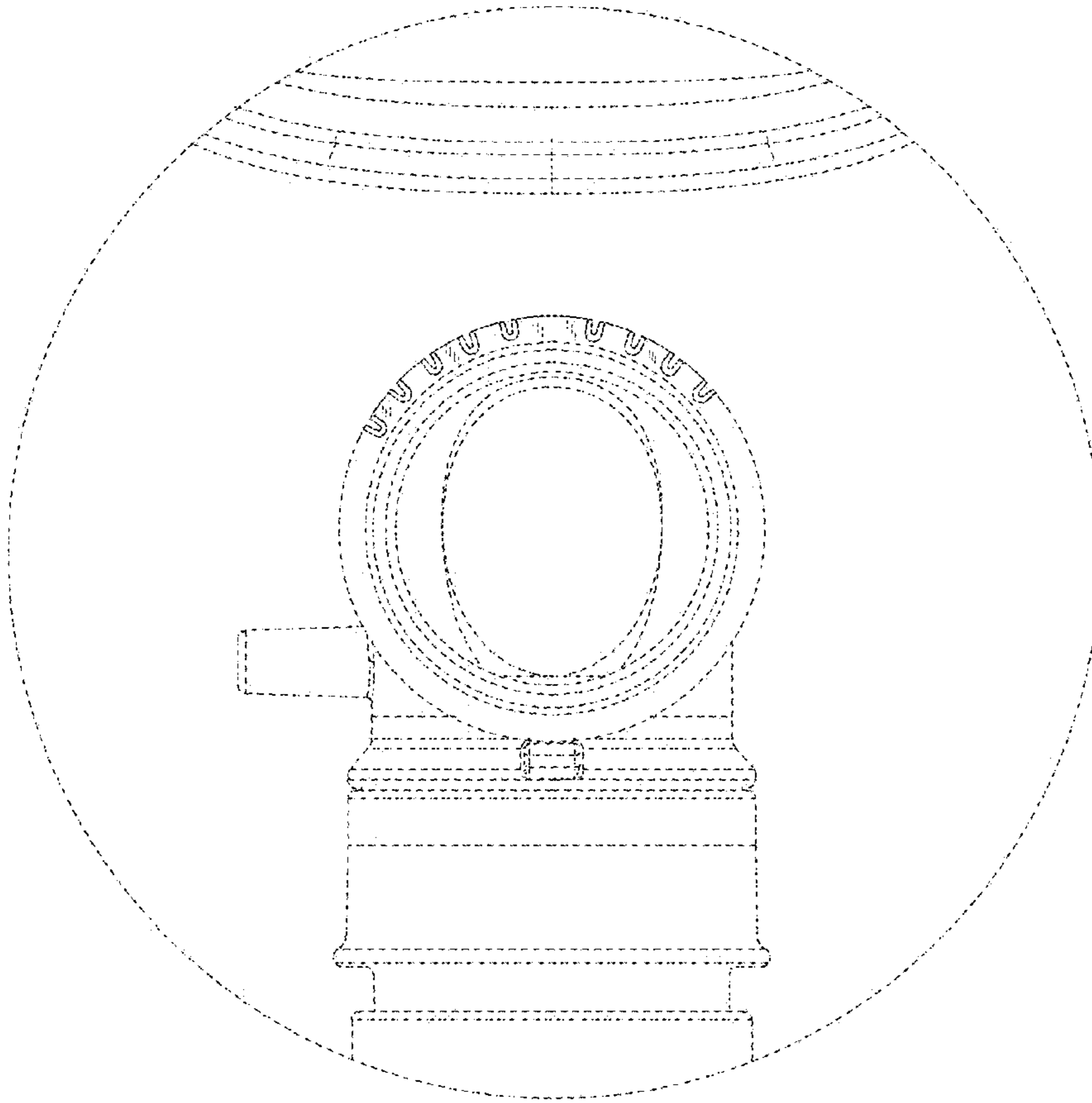


FIG. 11

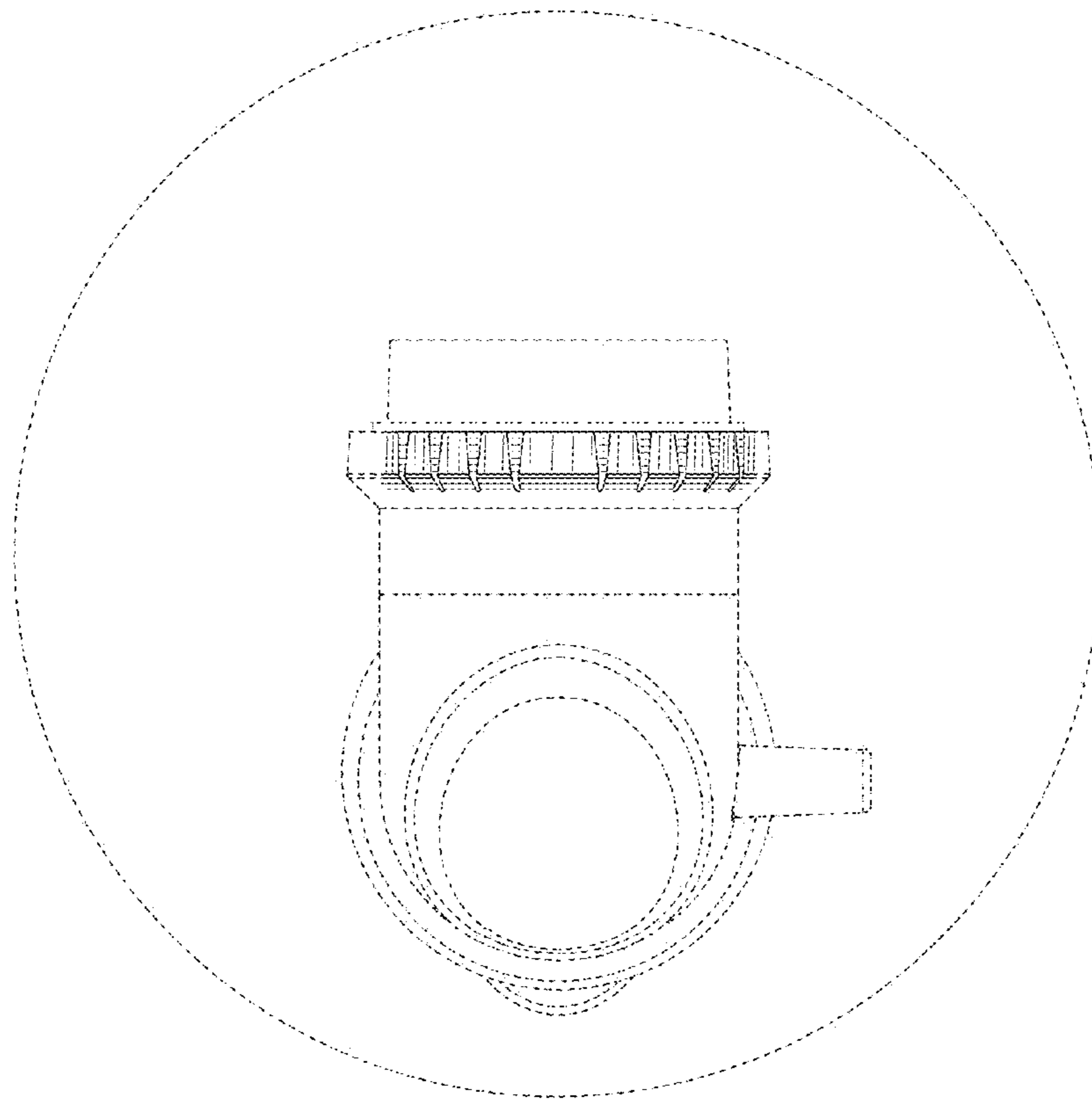


FIG. 12

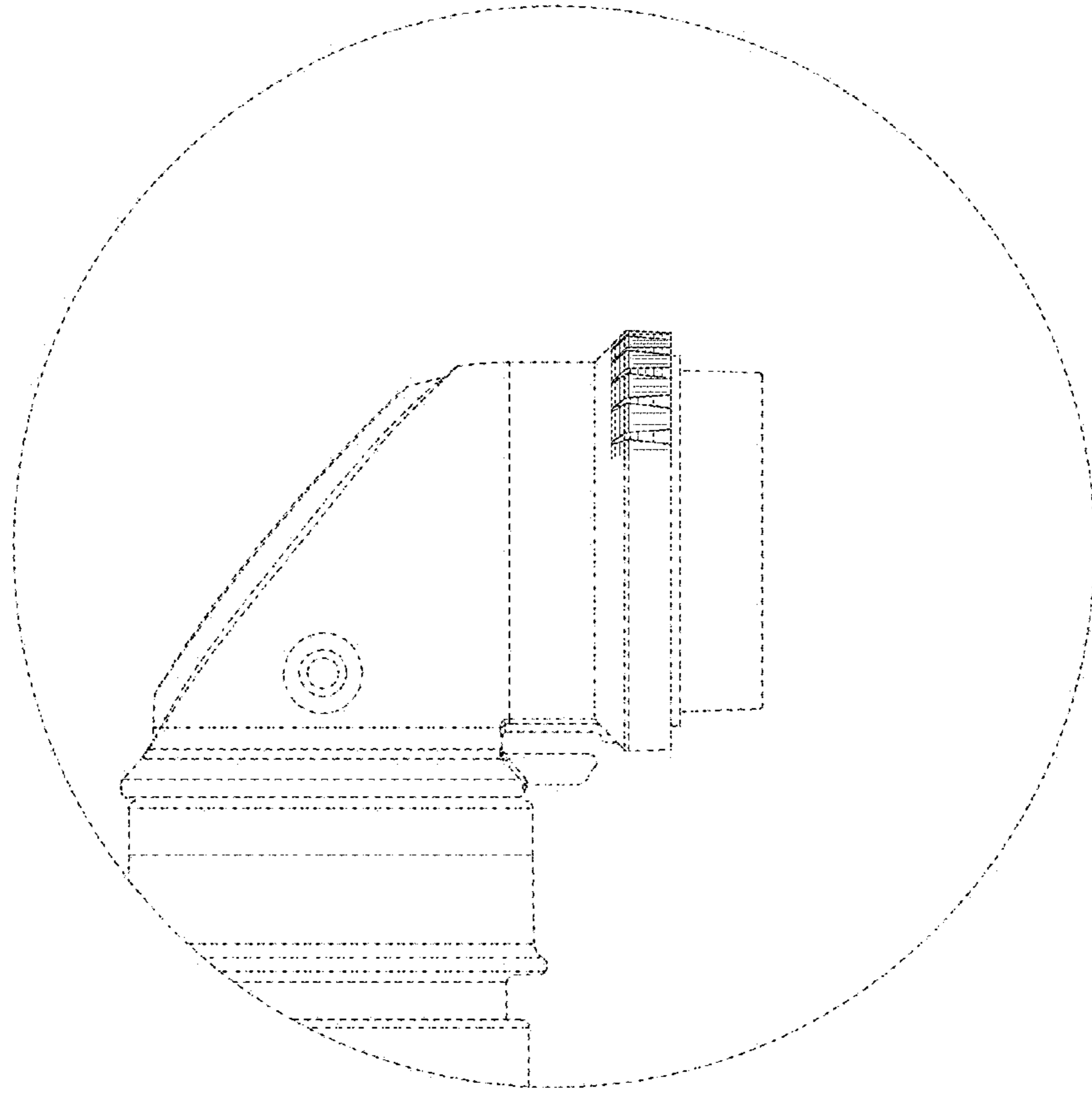


FIG.13

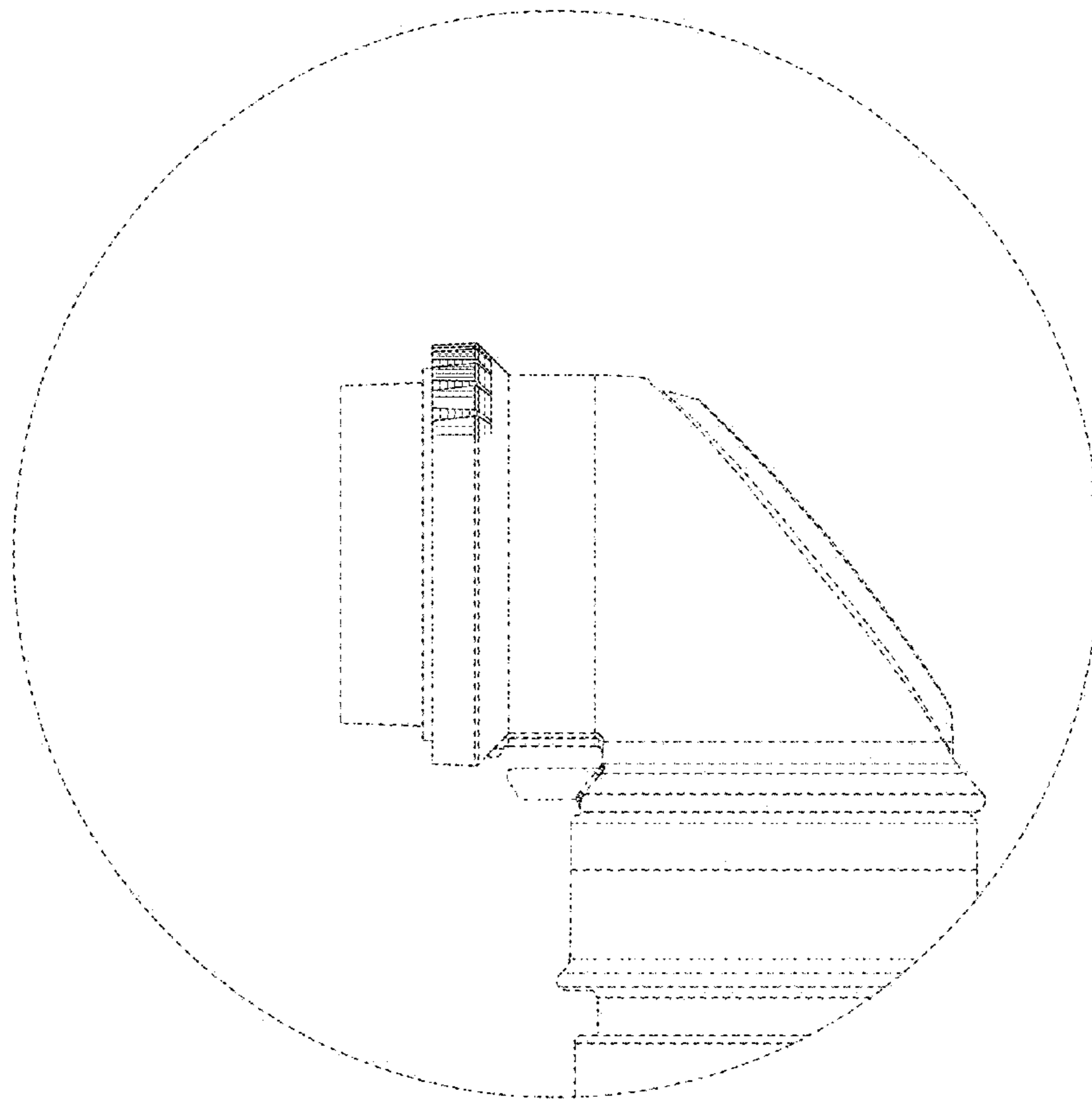


FIG.14

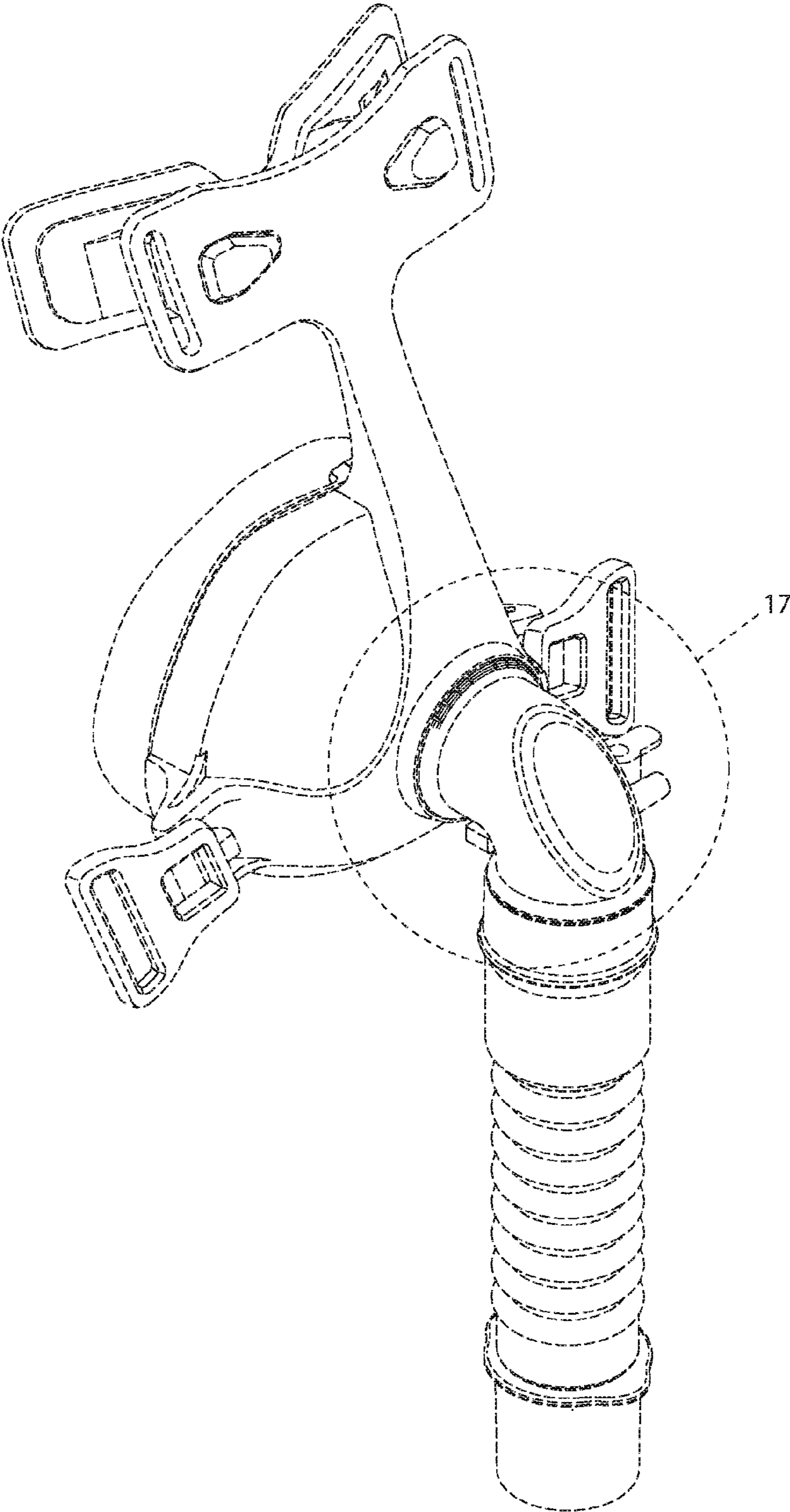


FIG. 15

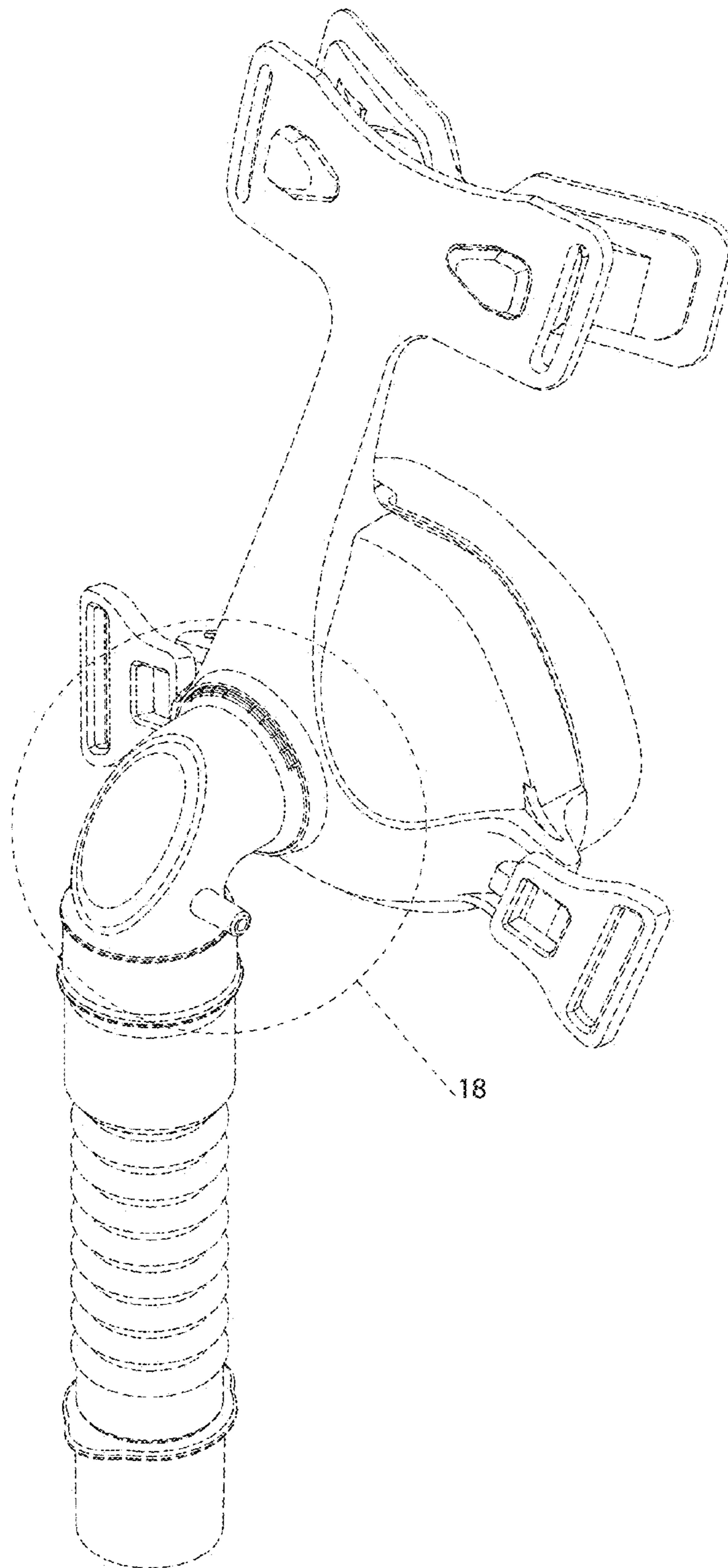


FIG. 16

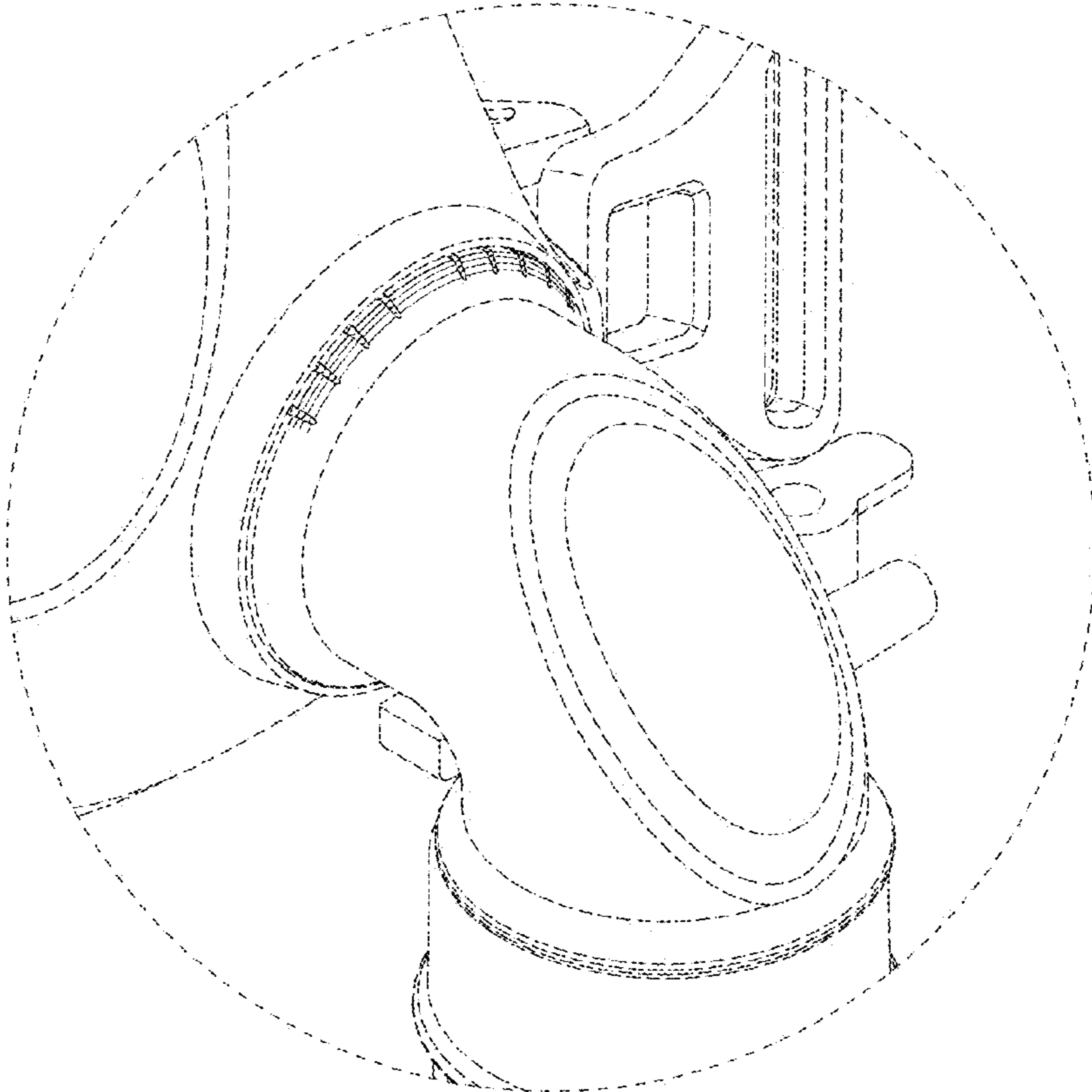


FIG. 17

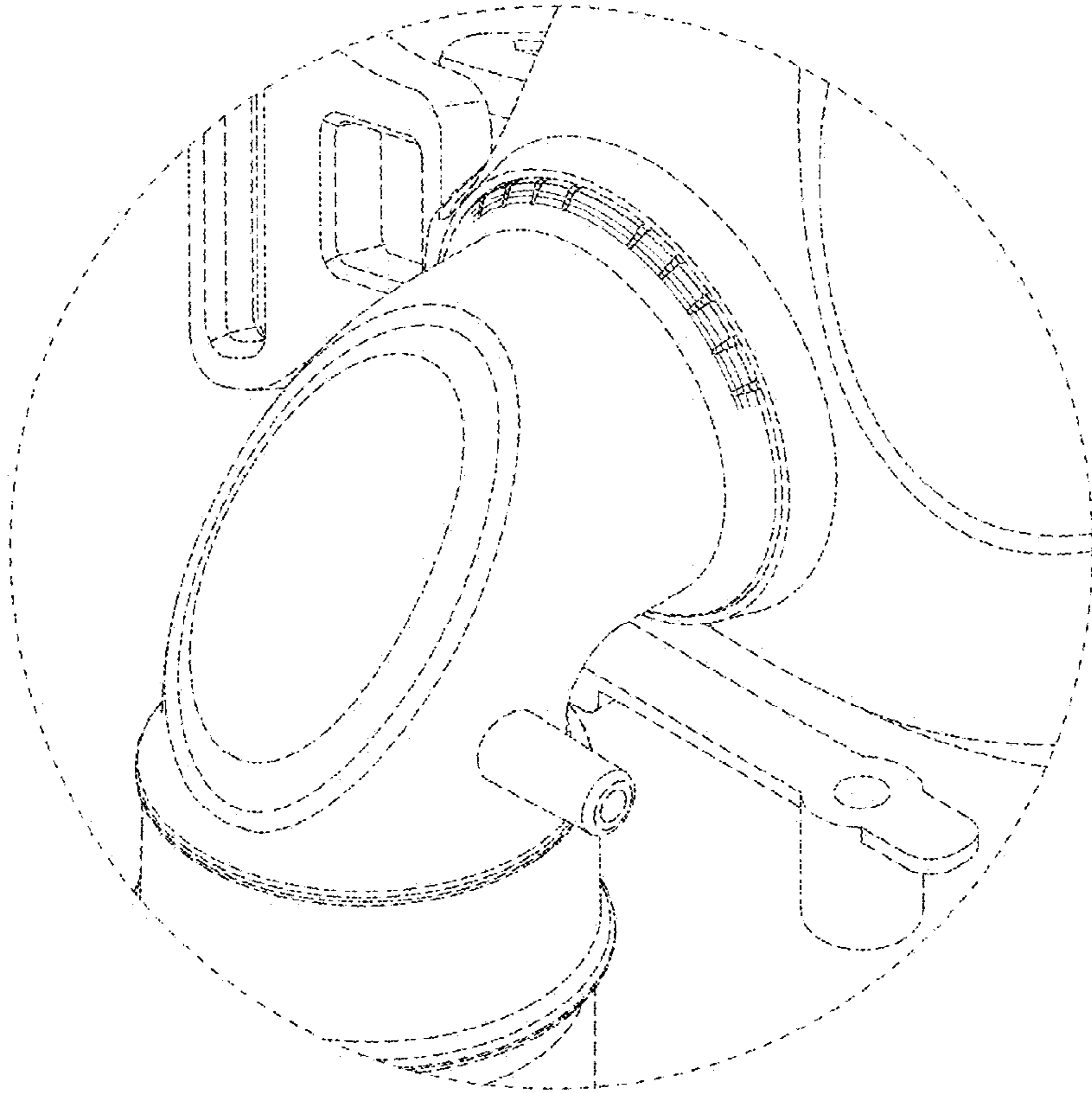


FIG. 18