



US00D743020S

(12) **United States Design Patent**
Mehta

(10) **Patent No.:** **US D743,020 S**

(45) **Date of Patent:** **** Nov. 10, 2015**

(54) **NASAL RINSE TIP**

(71) Applicant: **Ketan C. Mehta**, Santa Rosa, CA (US)

(72) Inventor: **Ketan C. Mehta**, Santa Rosa, CA (US)

(**) Term: **14 Years**

(21) Appl. No.: **29/492,386**

(22) Filed: **May 30, 2014**

(51) **LOC (10) Cl.** **24-01**

(52) **U.S. Cl.**
USPC **D24/108**

(58) **Field of Classification Search**
USPC D24/107, 108, 110, 110.5, 111, 127
CPC B05B 11/043; A61B 2017/246; A61H
35/04; A61M 15/00; A61M 15/08; A61M
3/0279; A61M 3/0262; A61M 2210/0618
See application file for complete search history.

(56) **References Cited**

U.S. PATENT DOCUMENTS

D26,636	S	*	2/1897	Ramey et al.	D24/110
D190,310	S	*	5/1961	Zahn	D24/110
3,622,049	A	*	11/1971	Thompson	222/190
D530,815	S	*	10/2006	Murphy et al.	D24/110
7,306,121	B2	*	12/2007	Ophardt et al.	222/209
D634,002	S	*	3/2011	Laerdal et al.	D24/111
D634,631	S	*	3/2011	Taylor	D9/447
7,959,597	B2	*	6/2011	Baker et al.	604/28
D650,065	S	*	12/2011	Berger et al.	D24/110
D676,125	S	*	2/2013	Hair	D24/108
D725,769	S	*	3/2015	Djupesland et al.	D24/110
2009/0247941	A1	*	10/2009	Lu	604/73
2011/0077603	A1	*	3/2011	Mehta	604/246

2011/0137258	A1	*	6/2011	Yadidi	604/181
2011/0139149	A1	*	6/2011	Cacka et al.	128/200.14
2011/0139826	A1	*	6/2011	Hair et al.	222/214
2011/0144588	A1	*	6/2011	Taylor et al.	604/151
2011/0166523	A1	*	7/2011	Javer et al.	604/151
2011/0319840	A1	*	12/2011	Hair	604/275
2012/0277675	A1	*	11/2012	Mehta	604/118
2013/0158513	A1	*	6/2013	Betz et al.	604/514
2014/0171880	A1	*	6/2014	Carpenter	604/257
2015/0013670	A1	*	1/2015	Djupesland et al.	128/200.21
2015/0013677	A1	*	1/2015	Djupesland et al.	128/203.18
2015/0014368	A1	*	1/2015	Greiner-Perth et al.	222/402.13

* cited by examiner

Primary Examiner — Deanna L Pratt

Assistant Examiner — Lilyana Bekic

(74) *Attorney, Agent, or Firm* — Kelley Drye & Warren LLP

(57) **CLAIM**

The ornamental design for a nasal rinse tip, as shown and described.

DESCRIPTION

FIG. 1 is a perspective view of a nasal rinse tip embodying the new design;

FIG. 2 is a front elevation view thereof;

FIG. 3 is a rear elevation view thereof;

FIG. 4 is a side elevation view thereof;

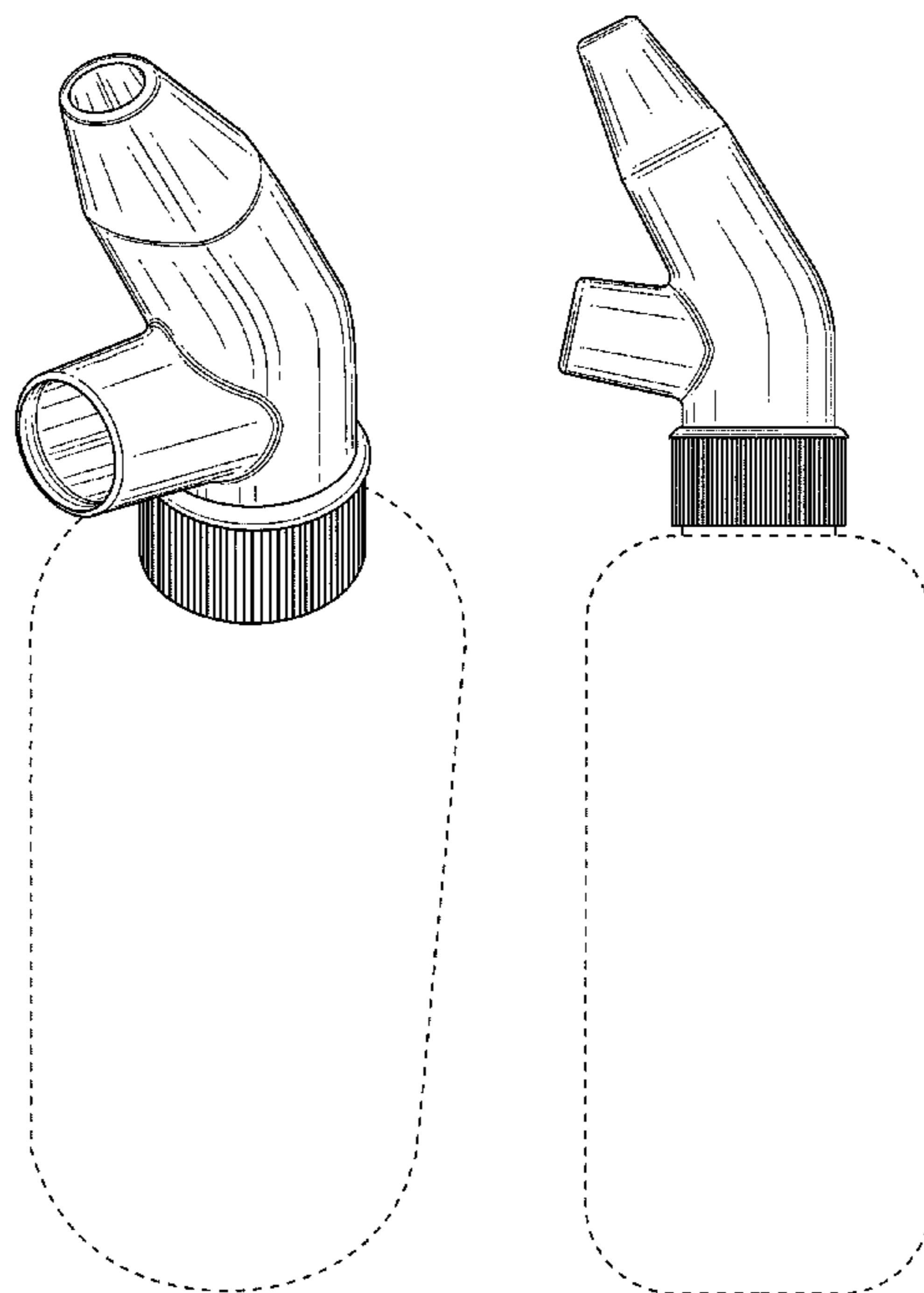
FIG. 5 is an opposing side elevation view thereof;

FIG. 6 is a top plan view thereof; and,

FIG. 7 is a bottom plan view thereof.

The broken line showing of the bottle in FIGS. 1-7 illustrates the environment of the claimed design and forms no part thereof.

1 Claim, 6 Drawing Sheets



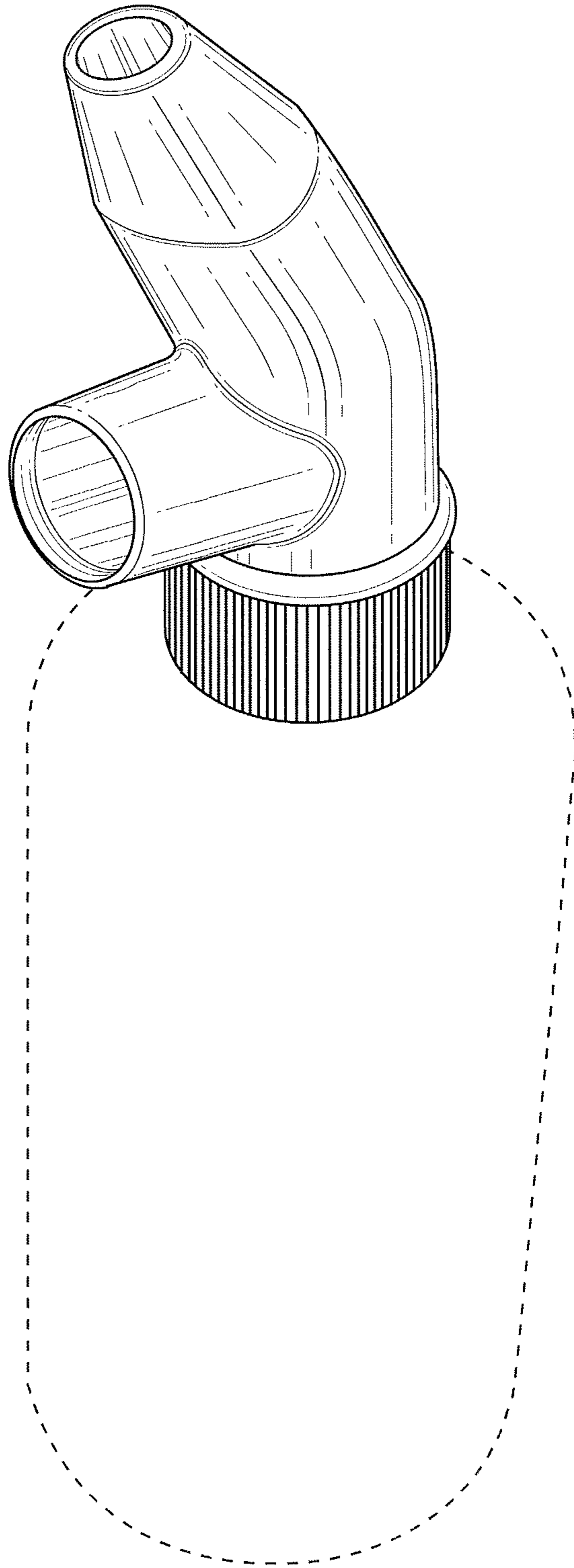


FIG. 1

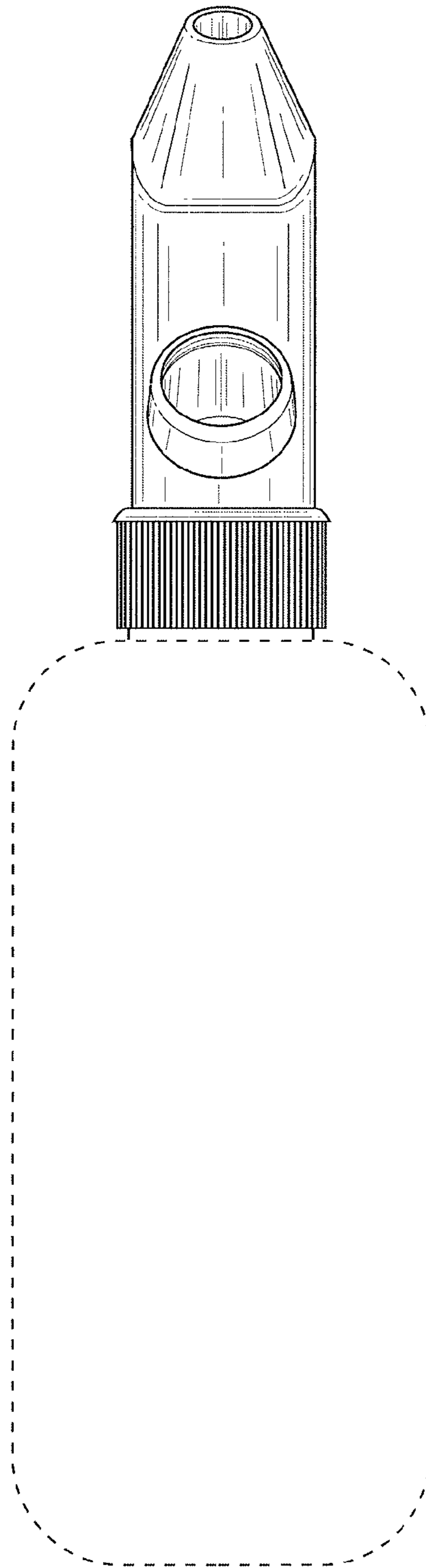


FIG. 2

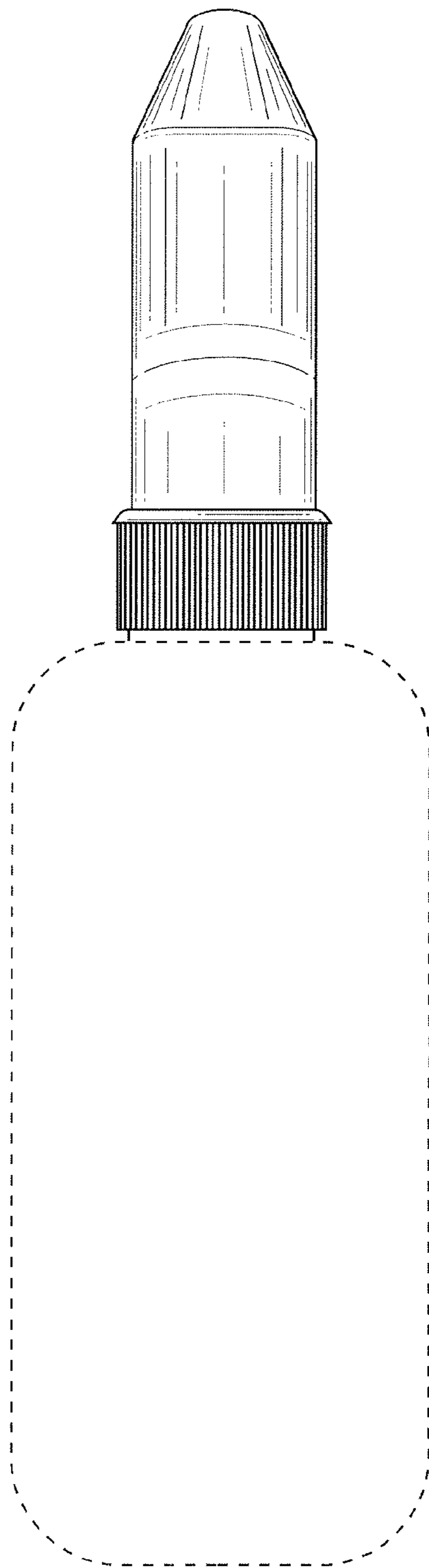


FIG. 3

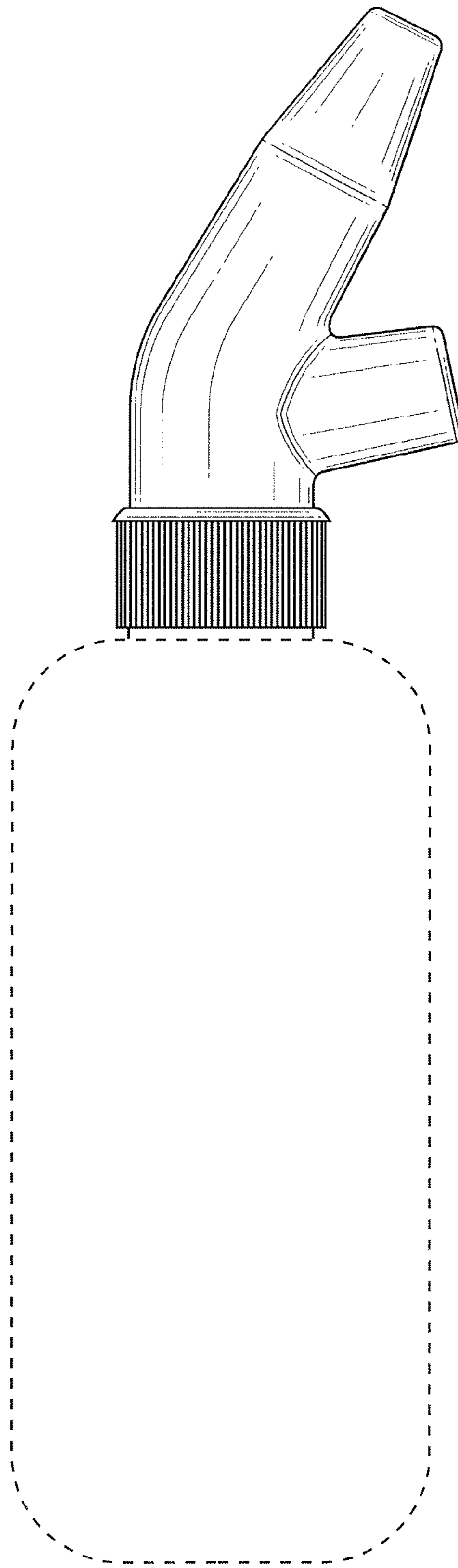


FIG. 4

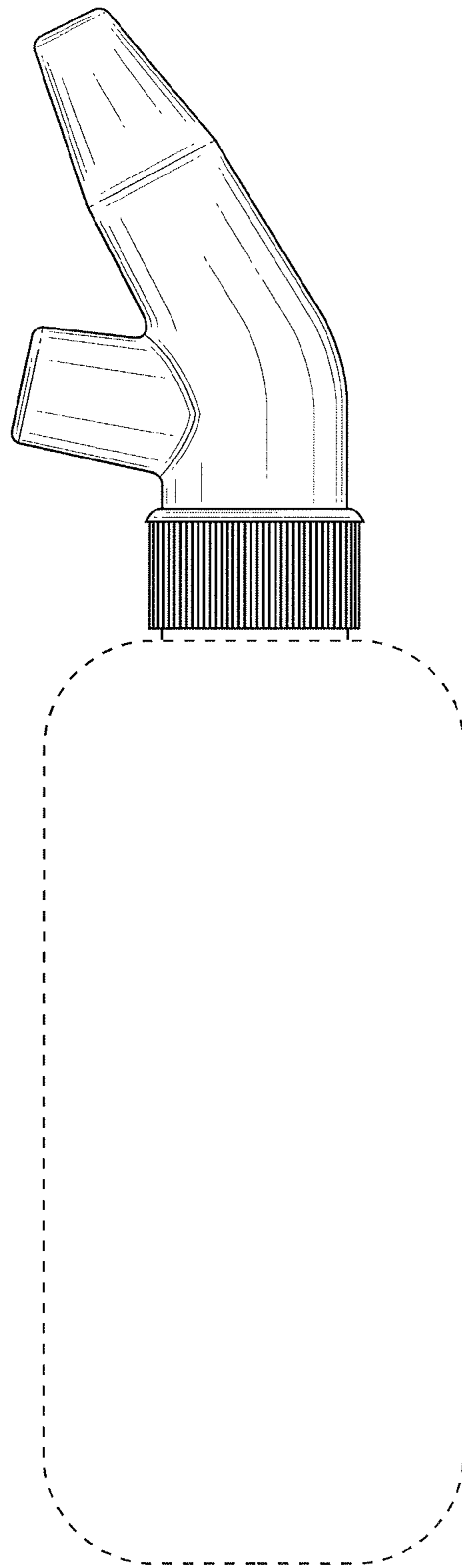


FIG. 5

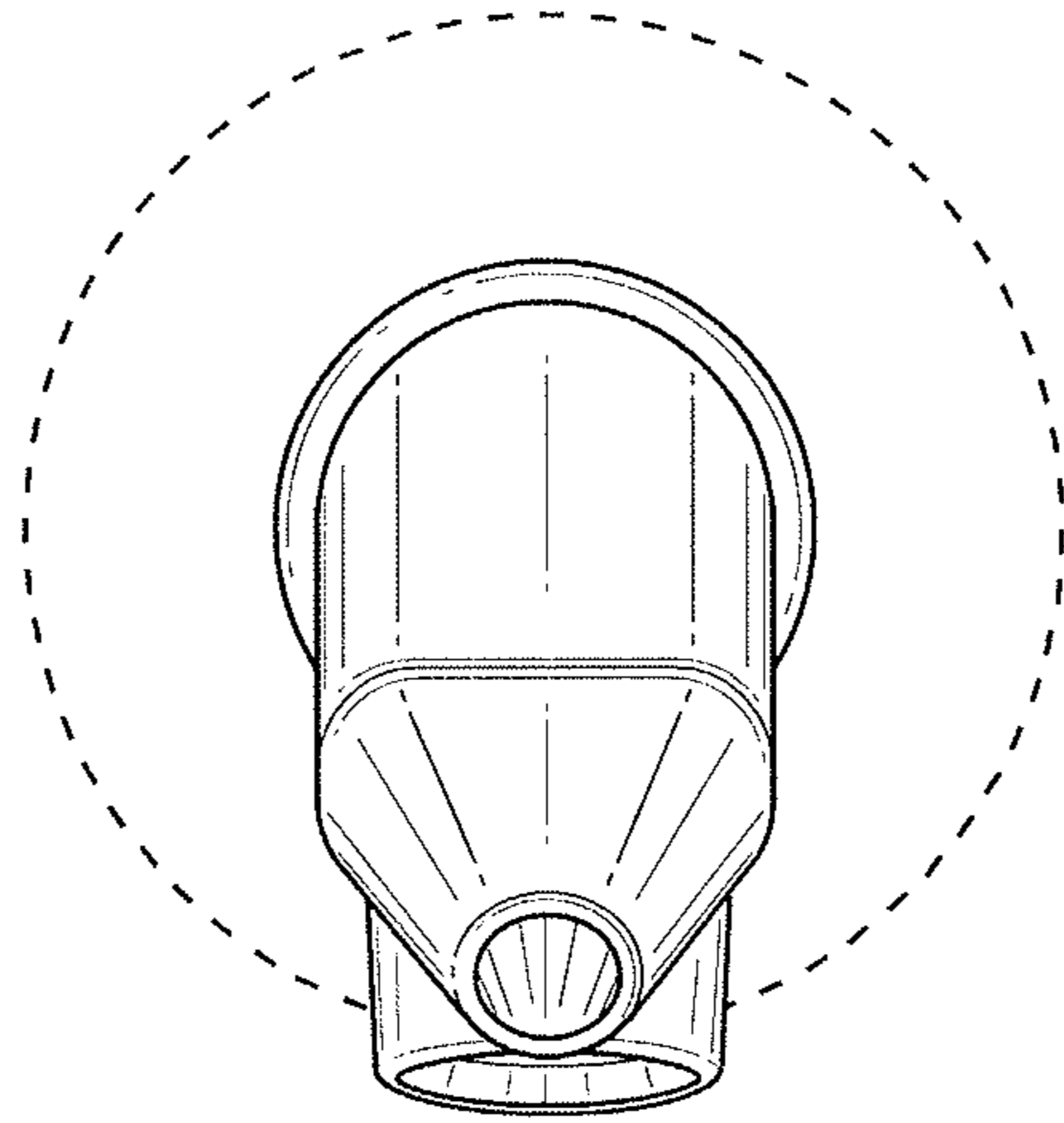


FIG. 6

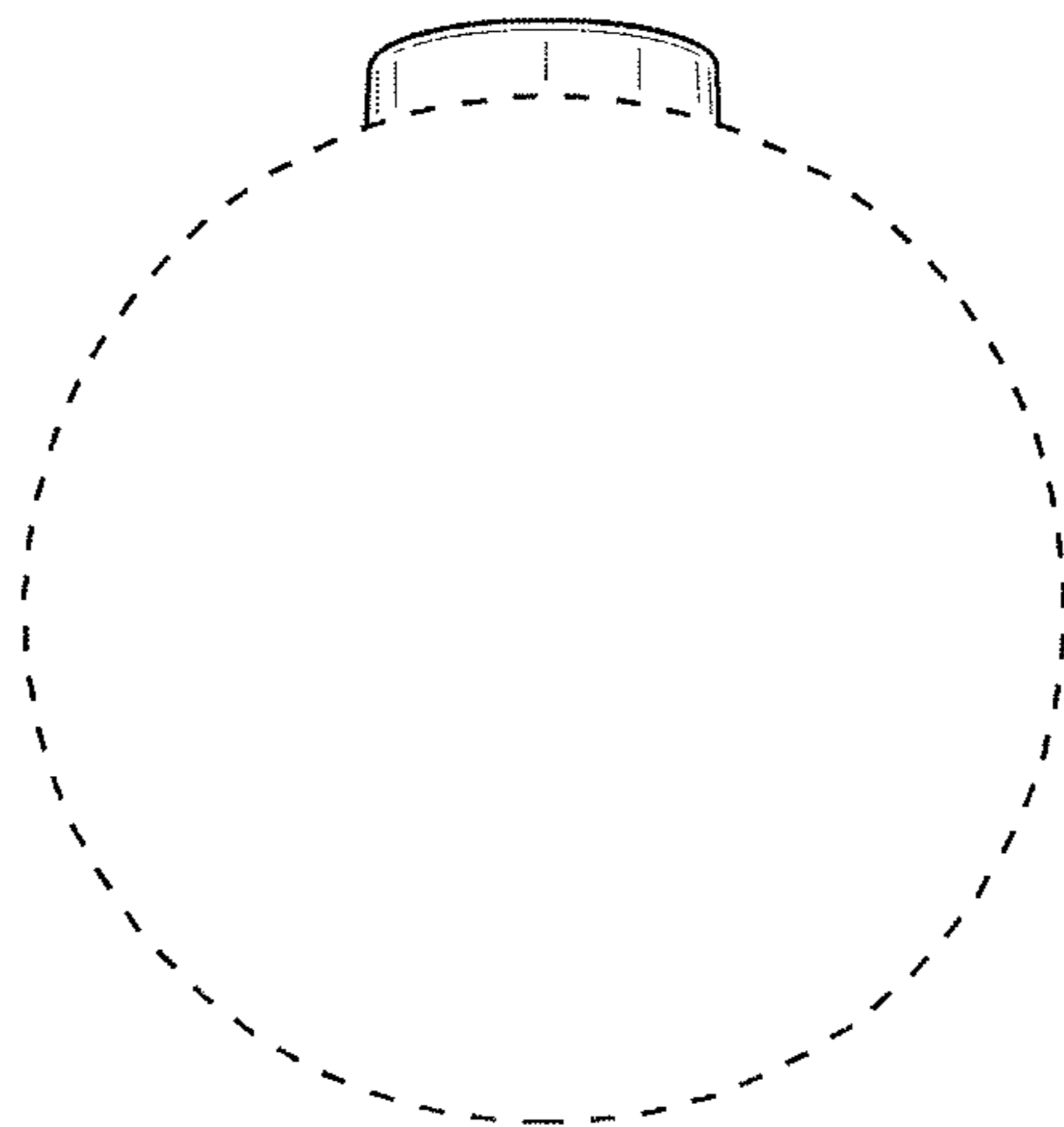


FIG. 7