



US00D743017S

(12) **United States Design Patent**
Klochkov et al.

(10) **Patent No.:** **US D743,017 S**

(45) **Date of Patent:** **** Nov. 10, 2015**

- (54) **LINEAR IONIZING BAR**
- (71) Applicant: **Illinois Tool Works Inc.**, Glenview, IL (US)
- (72) Inventors: **Aleksey Klochkov**, San Francisco, CA (US); **Peter Gefter**, South San Francisco, CA (US); **Steven B. Heymann**, Los Gatos, CA (US)

4,901,194 A	2/1990	Steinman et al.	
4,974,115 A *	11/1990	Breidegam et al.	361/231
5,005,101 A	4/1991	Gallagher	
5,047,892 A	9/1991	Sakata et al.	
5,055,963 A	10/1991	Partridge	
5,095,400 A	3/1992	Saito	
5,116,583 A	5/1992	Batchelder et al.	
5,153,811 A	10/1992	Rodrigo et al.	
5,249,094 A	9/1993	Hayakawa et al.	

(Continued)

- (73) Assignee: **ILLINOIS TOOL WORKS INC.**, Glenview, IL (US)

FOREIGN PATENT DOCUMENTS

- (**) Term: **14 Years**

CN	2418879 Y	2/2001
CN	101207964 A	6/2008

(Continued)

- (21) Appl. No.: **29/443,821**

OTHER PUBLICATIONS

- (22) Filed: **Jan. 23, 2013**

Notification of transmittal of the Int'l Search Report and the written opinion of the ISA, & ISR & Written Opinion of ISA (mailed May 7, 2012) for PCT/US2012/024095.

(Continued)

Related U.S. Application Data

- (63) Continuation-in-part of application No. 13/367,369, filed on Feb. 6, 2012, now Pat. No. 8,773,837.

- (51) **LOC (10) Cl.** **28-99**

Primary Examiner — Sandra Snapp

- (52) **U.S. Cl.**
USPC **D23/366**

(74) *Attorney, Agent, or Firm* — Uriarte Law

- (58) **Field of Classification Search**
USPC D23/355, 359, 360, 364, 365, 386, 392, D23/393, 401; D6/663, 667, 675; D5/1-3
See application file for complete search history.

(57)

CLAIM

The ornamental design for a linear ionizing bar, as shown and described.

DESCRIPTION

- (56) **References Cited**

U.S. PATENT DOCUMENTS

3,875,035 A	4/1975	Lowther
4,138,233 A	2/1979	Masuda
4,271,451 A	6/1981	Metz
4,417,293 A	11/1983	Larigaldie
4,442,356 A	4/1984	Ludwick et al.
4,689,715 A	8/1987	Halleck et al.
4,781,736 A	11/1988	Cheney et al.
4,878,149 A	10/1989	Stiehl et al.

FIG. 1 is a perspective view of a linear ionizing bar showing our new design.

FIG. 2 is a rear elevational view thereof.

FIG. 3 is a front elevational view thereof.

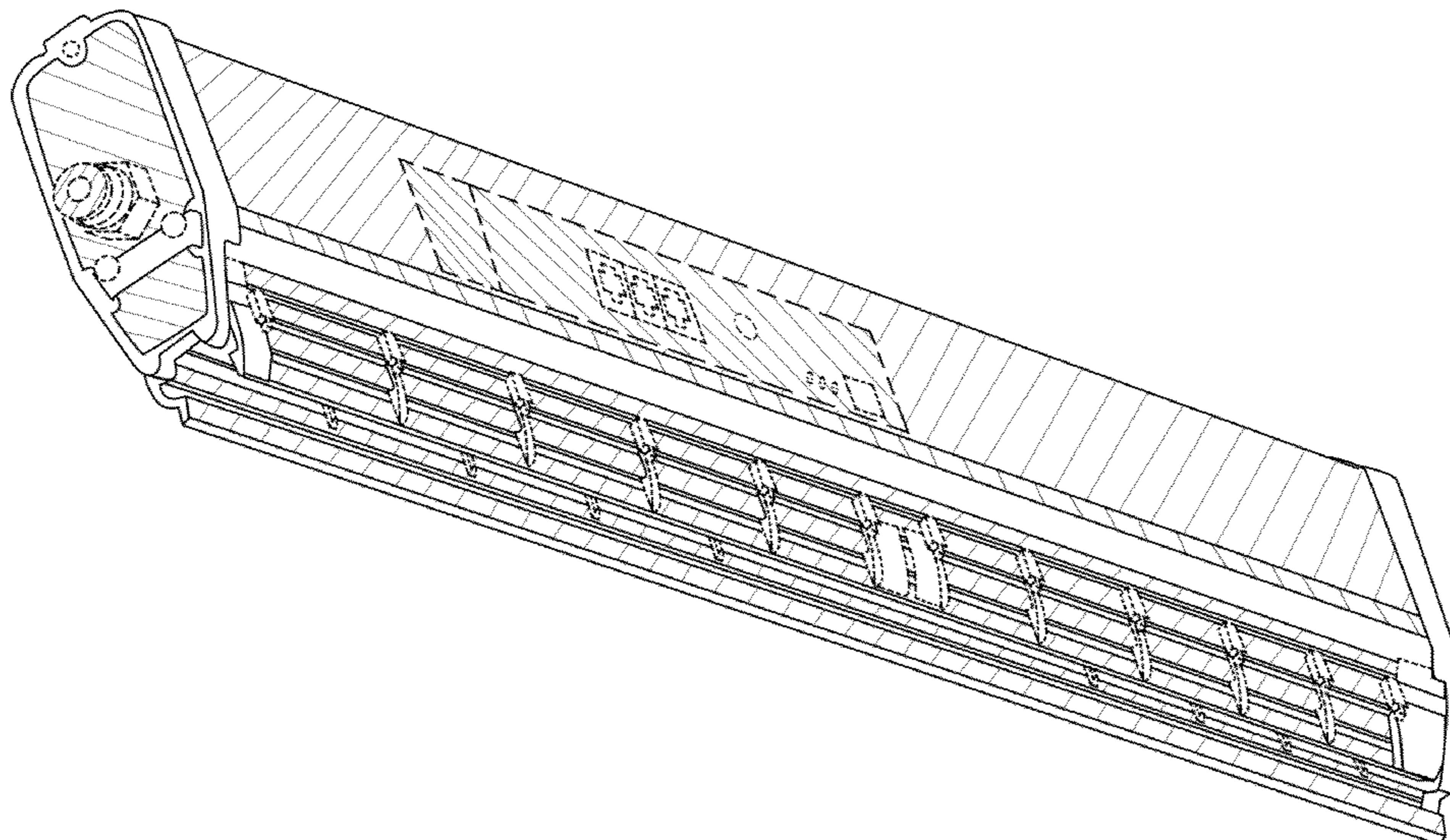
FIG. 4 is a left side elevational view thereof.

FIG. 5 is a right side elevational view thereof.

FIG. 6 is a top plan view thereof; and,

FIG. 7 is a bottom plan view thereof.

1 Claim, 7 Drawing Sheets



(56)

References Cited

U.S. PATENT DOCUMENTS

5,388,769 A 2/1995 Rodrigo et al.
 5,447,763 A 9/1995 Gehlke
 5,535,089 A 7/1996 Ford et al.
 5,550,703 A 8/1996 Beyer et al.
 5,630,949 A 5/1997 Lakin
 5,847,917 A 12/1998 Suzuki
 6,145,391 A 11/2000 Pui et al.
 6,252,233 B1 6/2001 Good
 6,259,591 B1 7/2001 Pitel et al.
 6,330,146 B1 12/2001 Blitshteyn et al.
 6,504,700 B1 1/2003 Hahne et al.
 6,636,411 B1 10/2003 Noll
 6,653,638 B2 11/2003 Fujii
 6,671,161 B2 12/2003 Nilsson
 6,693,788 B1 2/2004 Partridge
 6,807,044 B1 10/2004 Vernitsky et al.
 6,826,030 B2 11/2004 Gorczyca et al.
 6,850,403 B1 2/2005 Gefter et al.
 7,031,133 B2 4/2006 Riebel et al.
 7,057,130 B2 6/2006 Gefter et al.
 7,126,092 B2 10/2006 Lin et al.
 7,177,133 B2 2/2007 Riskin
 7,180,722 B2 2/2007 Jacobs et al.
 D550,340 S * 9/2007 Sato et al. D23/355
 7,339,778 B1 3/2008 Gefter et al.
 7,375,944 B2 5/2008 Izaki et al.
 7,479,615 B2 1/2009 Gefter et al.
 7,649,728 B2 1/2010 Fujita et al.
 7,679,026 B1 3/2010 Gefter et al.
 7,751,695 B2 7/2010 Decker
 7,813,102 B2 10/2010 Gefter et al.
 7,821,762 B2 10/2010 Yasuoka et al.
 7,822,355 B2 10/2010 Schlitz
 D636,840 S * 4/2011 Yasuoka et al. D23/207
 D636,841 S * 4/2011 Yasuoka et al. D23/207
 D639,898 S * 6/2011 Yasuoka et al. D23/207
 D643,091 S * 8/2011 Yasuoka et al. D23/213
 8,009,405 B2 8/2011 Gefter et al.
 8,038,775 B2 10/2011 Gefter
 8,048,200 B2 11/2011 Gefter et al.
 8,063,336 B2 11/2011 Gefter et al.
 8,174,814 B2 5/2012 Yasuoka et al.
 8,773,837 B2 7/2014 Partridge et al.
 8,885,317 B2 11/2014 Partridge
 2002/0125423 A1 9/2002 Ebeling et al.
 2003/0007307 A1 1/2003 Lee et al.
 2003/0011957 A1 1/2003 Nilsson
 2004/0130271 A1 7/2004 Sekoguchi et al.
 2005/0052815 A1 3/2005 Fujiwara et al.
 2005/0083633 A1 4/2005 Riebel et al.
 2005/0116167 A1 6/2005 Izaki et al.
 2005/0225922 A1 10/2005 Gefter et al.
 2005/0236375 A1 10/2005 Gefter et al.
 2006/0018811 A1 1/2006 Taylor et al.
 2006/0021508 A1 2/2006 Kwon et al.
 2006/0071599 A1 4/2006 Curtis et al.
 2006/0232908 A1 10/2006 Izumi et al.
 2007/0279829 A1 12/2007 Gefter et al.
 2008/0151465 A1 6/2008 Fujita et al.
 2008/0199208 A1 8/2008 Schlitz
 2008/0225460 A1 9/2008 Gefter et al.
 2008/0232021 A1 9/2008 Gefter et al.
 2009/0316325 A1 12/2009 Gefter
 2011/0139889 A1 * 6/2011 Ohtsuka et al. 239/34
 2011/0299214 A1 12/2011 Gefter et al.
 2012/0200982 A1 8/2012 Partridge
 2012/0224293 A1 9/2012 Partridge et al.
 2014/0293496 A1 10/2014 Oldynski et al.

FOREIGN PATENT DOCUMENTS

EP 0 386 317 9/1990
 EP 0 386 318 A1 9/1990
 EP 0386318 A1 9/1990

EP 0386318 B1 7/1994
 EP 1142455 11/2003
 EP 1 547 693 A1 6/2005
 EP 1 547 693 B1 5/2012
 FR 2 466 886 4/1981
 JP 61-74639 4/1988
 JP S63-143954 6/1988
 JP 2005-328904 3/1989
 JP H03-230499 3/1989
 JP H03-230499 10/1991
 JP H0435958 Y2 8/1992
 JP 5047490 2/1993
 JP H06-275366 9/1994
 JP 7249497 9/1995
 JP 2520311 B2 7/1996
 JP 10055896 2/1998
 JP H10-156213 6/1998
 JP 11273893 9/1999
 JP 2000-058290 2/2000
 JP 2000-133413 5/2000
 JP 2001-085189 3/2001
 JP 2002-025748 1/2002
 JP 2002216994 9/2002
 JP 3401702 B2 4/2003
 JP 3536560 B2 6/2004
 JP 2005-216539 8/2005
 JP 2006-12520 1/2006
 JP 2006-092866 4/2006
 JP 2006-196378 7/2006
 JP 2008-124035 A 5/2008
 JP 200939893 9/2009
 JP 4465232 B2 5/2010
 JP 5046390 B2 10/2012
 JP I384905 2/2013
 TW 200939893 9/2009
 WO WO 00/38484 6/2000
 WO WO 2005/102582 11/2000
 WO WO 03/049509 6/2003
 WO WO 03100932 12/2003
 WO WO 2008/115884 9/2008
 WO WO 2013/103368 A1 7/2013

OTHER PUBLICATIONS

Office Action mailed Oct. 10, 2014 for U.S. Appl. No. 14/220,130.
 Notice of Allowance for U.S. Appl. No. 12/075,967, mailed on Aug. 16, 2010.
 Notice of Allowance for U.S. Appl. No. 12/075,967, mailed on Jun. 3, 2010.
 Notice of Allowance for U.S. Appl. No. 12/075,967, mailed on Mar. 9, 2010.
 Office Action mailed Mar. 11, 2014 for U.S. Appl. No. 12/456,526.
 Office Action for U.S. Appl. No. 13/023,397, mailed on Jul. 19, 2013.
 Notice of Allowance for U.S. Appl. No. 13/023,397, mailed on Jul. 18, 2014.
 Notice of Allowance for U.S. Appl. No. 13/367,369, mailed on May 9, 2014.
 Notice of Allowance for U.S. Appl. No. 13/023,397, mailed on Mar. 17, 2014.
 Notice of Allowance dated Apr. 1, 2015 for U.S. Appl. No. 14/220,130.
 Notification of transmittal of the ISR and the written opinion of the ISA, or the declaration, accompanying ISR and written opinion of the ISA, mailed Apr. 10, 2015 for Appl. No. PCT/US2015/010246.
 Notification of Transmittal of the ISR and the Written Opinion (mailed Feb. 19, 2013) for PCT/US2012/064045.
 International Search Report and Written Opinion of the ISR (Feb. 19, 2013) for PCT/US2012/064045.
 Notification of Transmittal of International Search Report and Written Opinion of the ISA, and International Search Report for PCT/US2008/03488 (Jun. 9, 2009).
 International Preliminary Report on Patentability and Written Opinion of the ISA for PCT/US2008/03488 (Jun. 9, 2009).
 Written Opinion of the ISA for PCT/US2008/03488 (Jun. 9, 2009).
 International Preliminary Report on Patentability and Written Opinion of the ISA for PCT/US2012/024095 (Jul. 5, 2012).

(56)

References Cited

OTHER PUBLICATIONS

International Search Report for PCT/US2012/024095 (Aug. 16, 2012).
Written Opinion of the ISA for PCT/US2012/024095 (Aug. 13, 2013).
Written Opinion of the ISA (Sep. 17, 2009), and International Search Report (mailed Sep. 25, 2008) for PCT/US2008/057262.
Office Action mailed on Aug. 2, 2012 for U.S. Appl. No. 13/210,267.
Office Action mailed Nov. 21, 2012 for U.S. Appl. No. 13/210,267.
Office Action mailed Aug. 3, 2010 for U.S. Appl. No. 12/049,350.
Office Action mailed Jan. 4, 2011 for U.S. Appl. No. 12/049,350.
International Preliminary Report on Patentability and Written Opinion for PCT/US05/09093, Jul. 28, 2005.
International Search Report for PCT/US05/09093, Jul. 28, 2005.
Office Action (Advisory Action) mailed Apr. 11, 2013 for U.S. Appl. No. 13/210,267.
Office Action mailed Jan. 4, 2011 for U.S. Appl. No. 13/023,397.
PCT Application PCT/US2012/033278, Notification of Trans . . . , International Search Report and Written Opinion of the International Searching Authority, mailed Sep. 14, 2012.
PCT/US08/03488 International Search Report; ISA/US; Jun. 9, 2009.
Office Action mailed Dec. 7, 2011 for U.S. Appl. No. 12/456,526.
Office Action mailed Jul. 5, 2012 for U.S. Appl. No. 12/456,526.
Applicant-initiated Interview summary mailed Oct. 5, 2012 for U.S. Appl. No. 12/456,526.
Advisory Action mailed Oct. 5, 2012 for U.S. Appl. No. 12/456,526.
Notice of allowability mailed Dec. 16, 2013 for U.S. Appl. No. 13/367,369.

Office Action mailed Jun. 12, 2013 for U.S. Appl. No. 13/367,369.
Office Action mailed Feb. 2, 2013 for U.S. Appl. No. 13/367,369.
Notice of Allowability mailed Dec. 1, 2005 for U.S. Appl. No. 10/821,773.
Office Action mailed Aug. 11, 2005 for U.S. Appl. No. 10/821,773.
Office Action mailed Mar. 10, 2005 for U.S. Appl. No. 10/821,773.
Notice of Allowability mailed Sep. 22, 2008 for U.S. Appl. No. 11/136,754.
Office Action mailed Apr. 30, 2008 for U.S. Appl. No. 11/136,754.
Office Action mailed Jun. 1, 2007 for U.S. Appl. No. 11/136,754.
Office Action mailed Mar. 28, 2007 for U.S. Appl. No. 11/136,754.
Notice of Allowability mailed Jul. 12, 2011 for U.S. Appl. No. 11/398,446.
Interview Summary mailed Mar. 9, 2011 for U.S. Appl. No. 11/398,446.
Office Action mailed Dec. 13, 2010 for U.S. Appl. No. 11/398,446.
Office Action mailed Jun. 10, 2010 for U.S. Appl. No. 11/398,446.
International search report, international preliminary report on patentability, and written opinion mailed Jul. 23, 2008 for PCT application PCT/US2007/065767.
Office Action mailed Jan. 28, 2010 for U.S. Appl. No. 11/398,446.
Notice Allowance mailed Oct. 28, 2009 for U.S. Appl. No. 11/623,316.
Office Action mailed Jul. 22, 2009 for U.S. Appl. No. 11/623,316.
Office Action mailed Oct. 30, 2008 for U.S. Appl. No. 11/623,316.
Search Report for Taiwan Invention Patent Application No. 101103565, dated Dec. 16, 2013.
Office Action mailed Jan. 29, 2015 for U.S. Appl. No. 14/220,130.

* cited by examiner

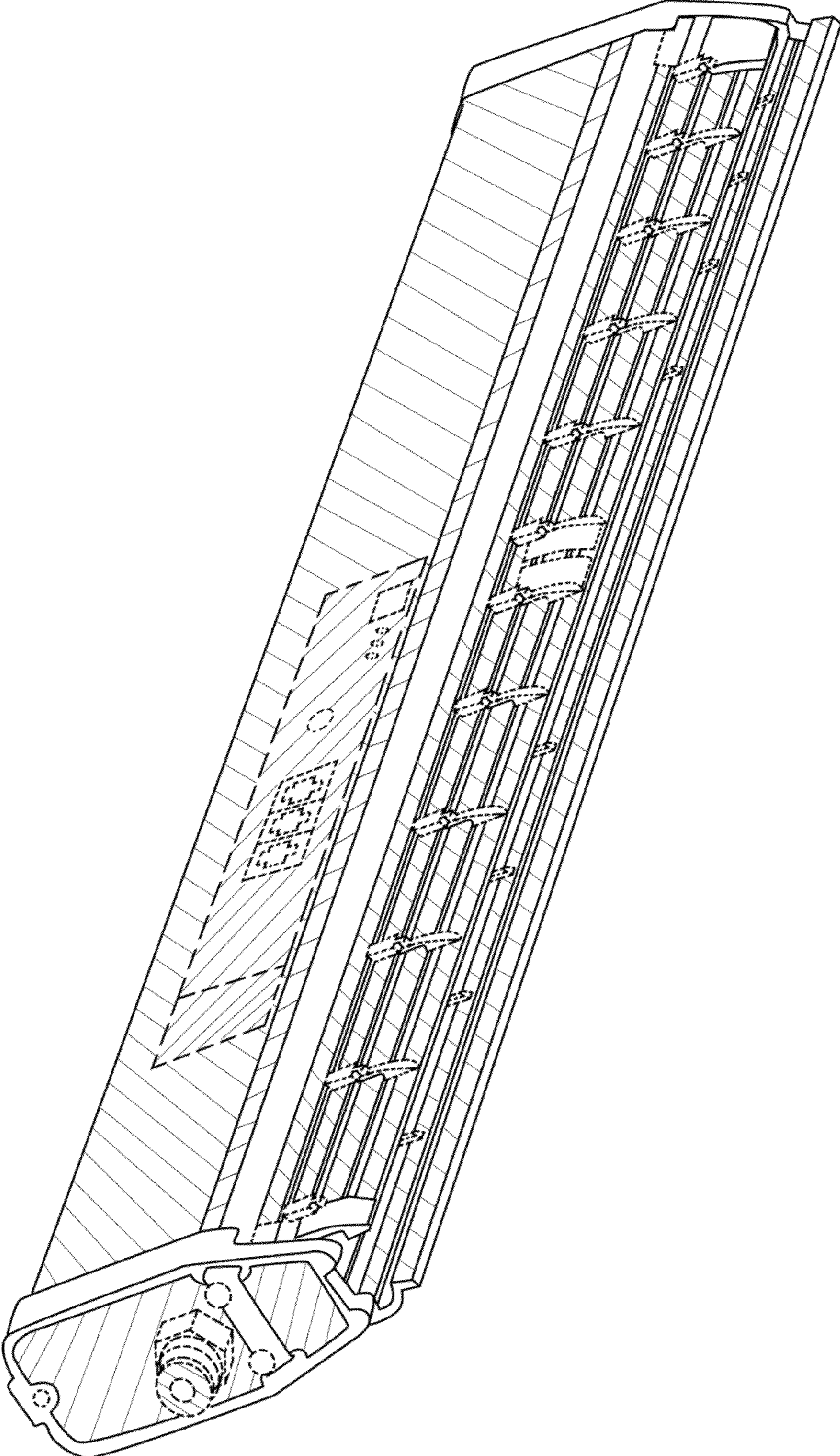


FIG. 1

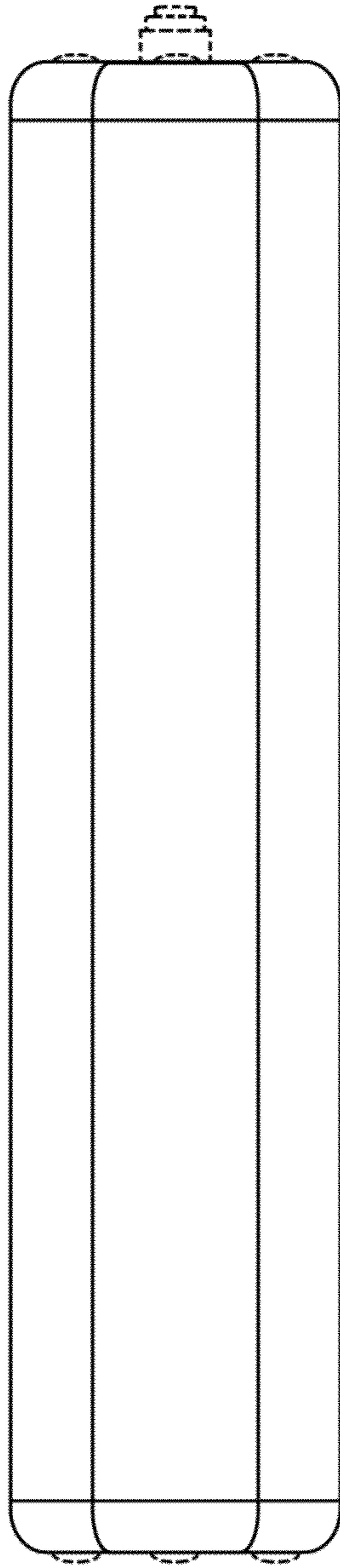


FIG. 2

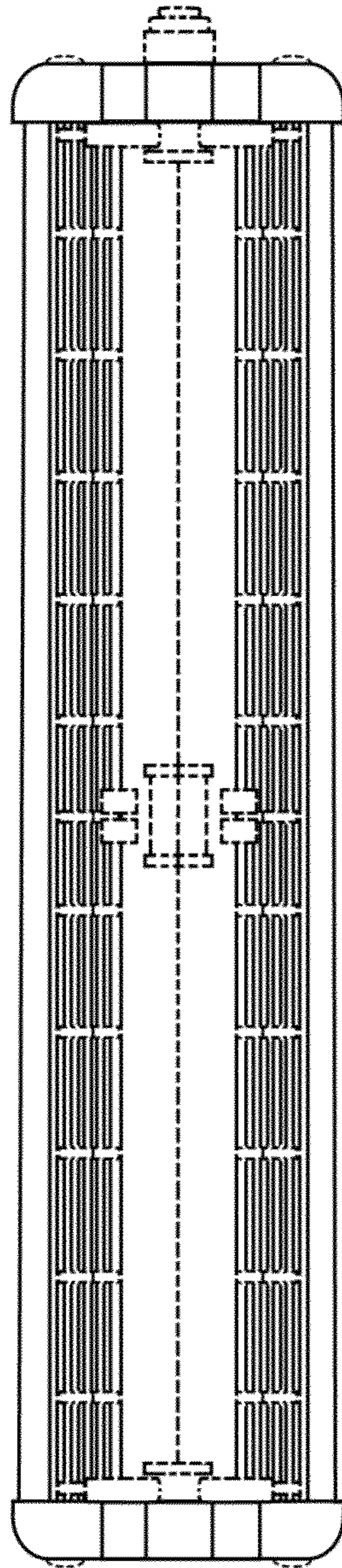


FIG. 3

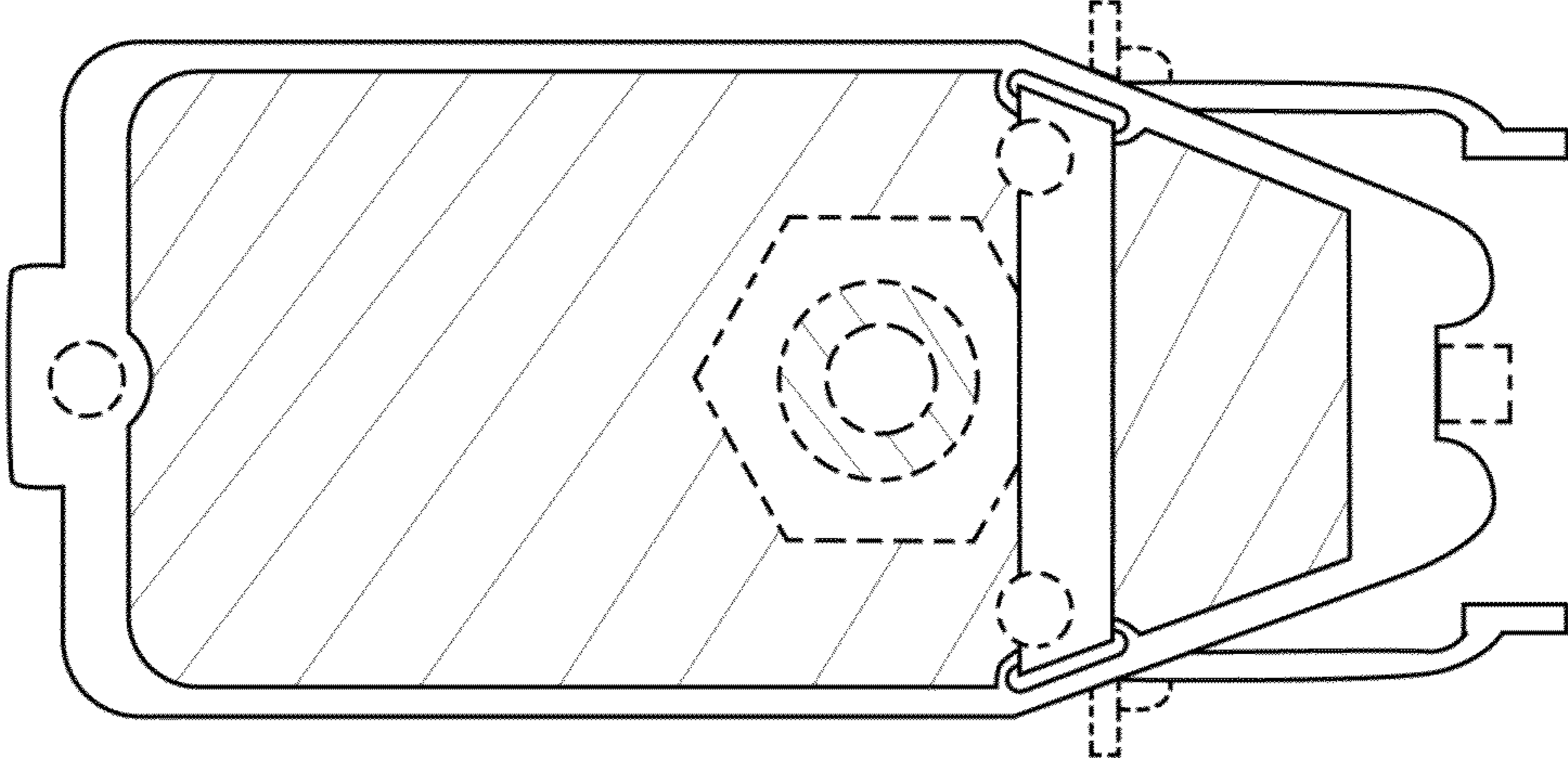


FIG. 4

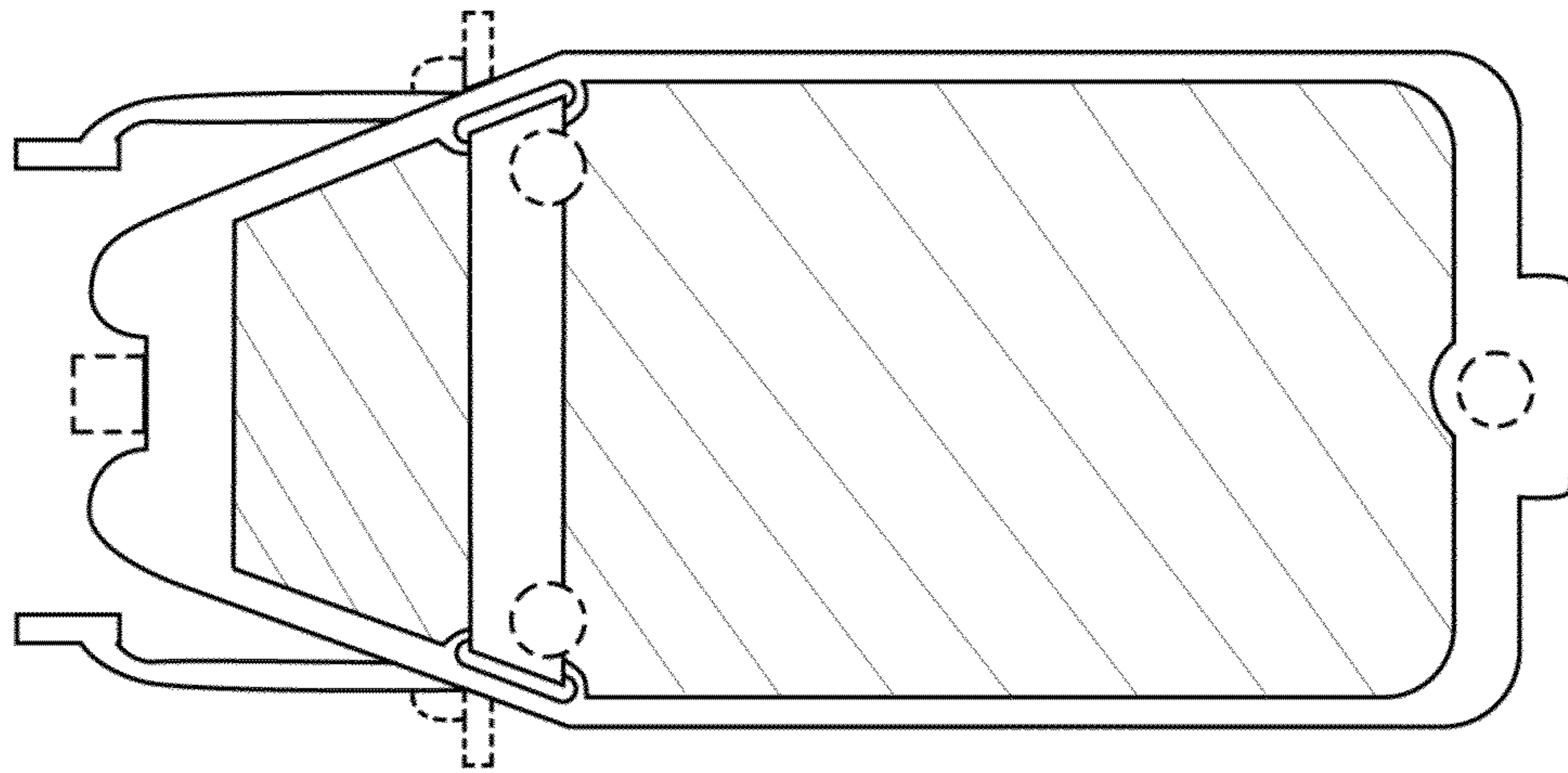


FIG. 5

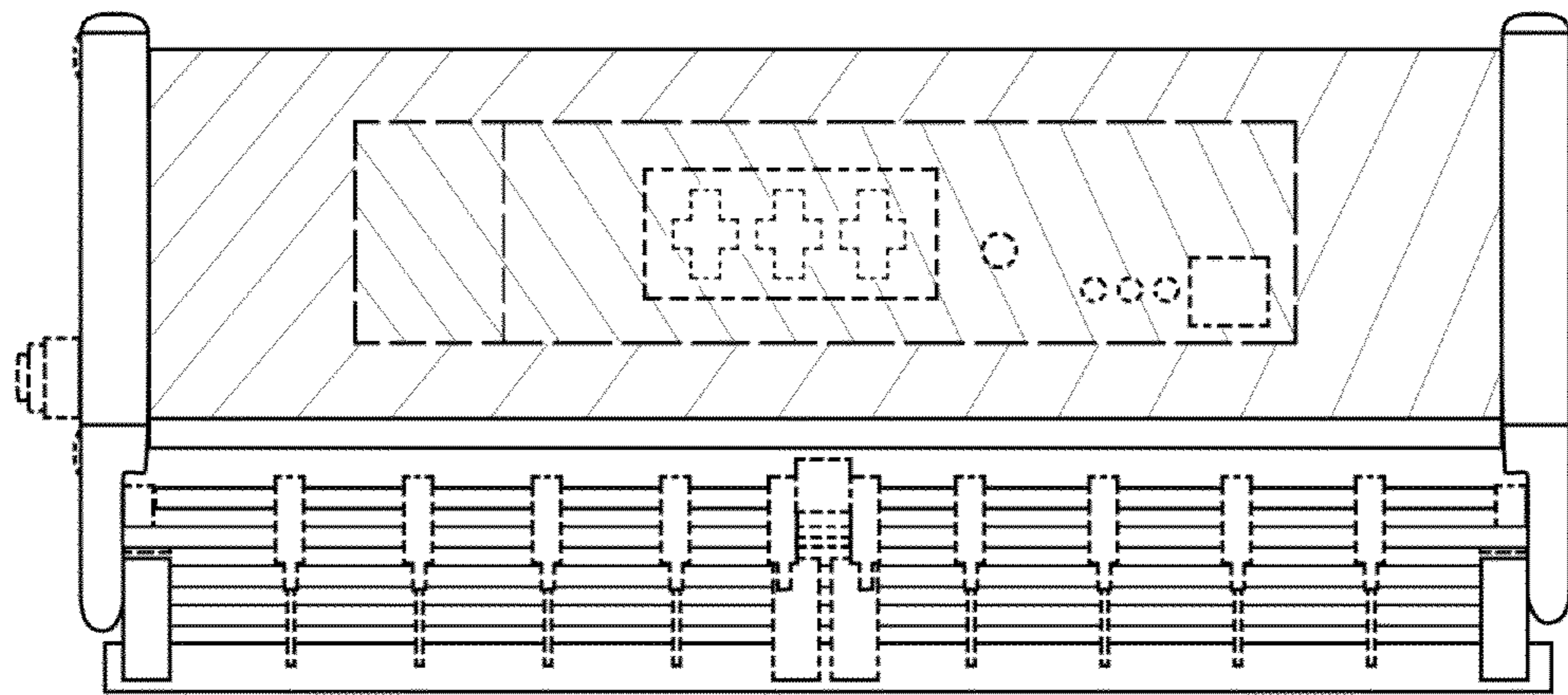


FIG. 6

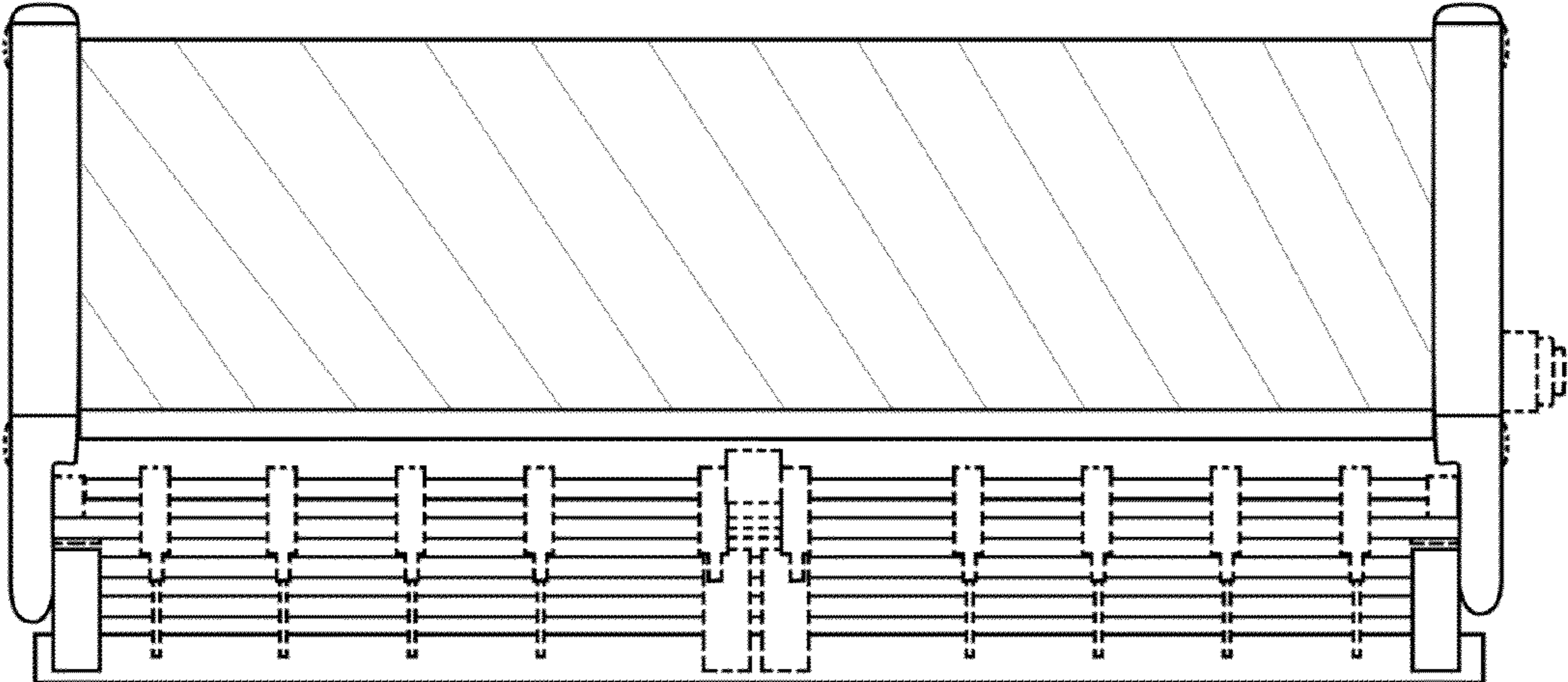


FIG. 7