



US00D743016S

(12) **United States Design Patent**
Arnold et al.

(10) **Patent No.:** **US D743,016 S**

(45) **Date of Patent:** **** Nov. 10, 2015**

(54) **HOT AIR DEVICE**

(71) Applicants: **Hans Arnold**, Kagiswill (CH);
Giuseppe Di Miceli, Kagiswill (CH)

(72) Inventors: **Hans Arnold**, Kagiswill (CH);
Giuseppe Di Miceli, Kagiswill (CH)

(73) Assignee: **Leister Technologies AG**, Kagiswil
(CH)

(**) Term: **14 Years**

(21) Appl. No.: **29/482,875**

(22) Filed: **Feb. 22, 2014**

(30) **Foreign Application Priority Data**

Feb. 6, 2014 (EM) 002399923-0001

Feb. 6, 2014 (EM) 002399923-0002

(51) **LOC (10) Cl.** **23-03**

(52) **U.S. Cl.**
USPC **D23/317**; D8/29.1

(58) **Field of Classification Search**
USPC D23/317, 323, 328; D28/13; D8/29.1,
D8/29.2
CPC F24H 3/0423; F24H 3/04; F24H 3/00;
F24H 3/02; F16M 13/00

See application file for complete search history.

(56) **References Cited**

U.S. PATENT DOCUMENTS

D456,681	S	*	5/2002	Cheng	D8/29.1
D604,399	S	*	11/2009	Aregger et al.	D23/317
D617,434	S	*	6/2010	Aregger et al.	D23/317
D631,312	S	*	1/2011	Wallimann-Durrer	D8/29.1
				et al.	D8/29.1
7,982,163	B2	*	7/2011	Chung et al.	219/242
D648,606	S	*	11/2011	Sallander	D8/29.1
8,948,577	B2	*	2/2015	Eberli et al.	392/384
2010/0008655	A1	*	1/2010	Tackitt et al.	392/385

* cited by examiner

Primary Examiner — Phillip S Hyder

(74) *Attorney, Agent, or Firm* — Cascio & Zervas

(57) **CLAIM**

The ornamental design for a hot air device, as shown and described.

DESCRIPTION

FIG. 1 is a right side elevational view of a hot air device showing our design;

FIG. 2 is a left side elevational view thereof;

FIG. 3 is a top plan view thereof;

FIG. 4 is a bottom plan view thereof;

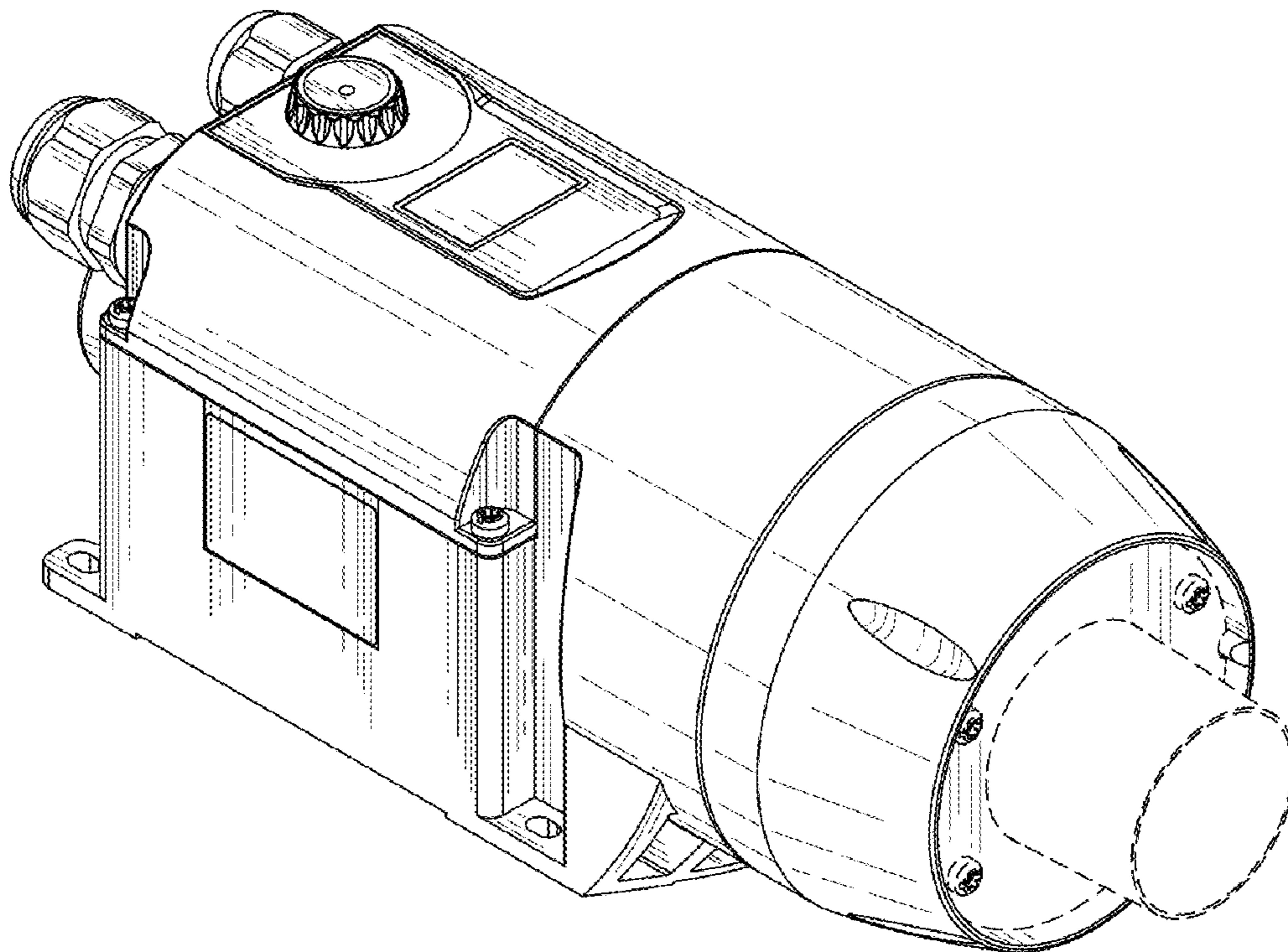
FIG. 5 is a front elevational view thereof;

FIG. 6 is a rear elevational view thereof; and,

FIG. 7 is a front perspective view thereof.

The broken lines depict portions of the hot air device in which the design is embodied that are not considered part of the claimed design.

1 Claim, 2 Drawing Sheets



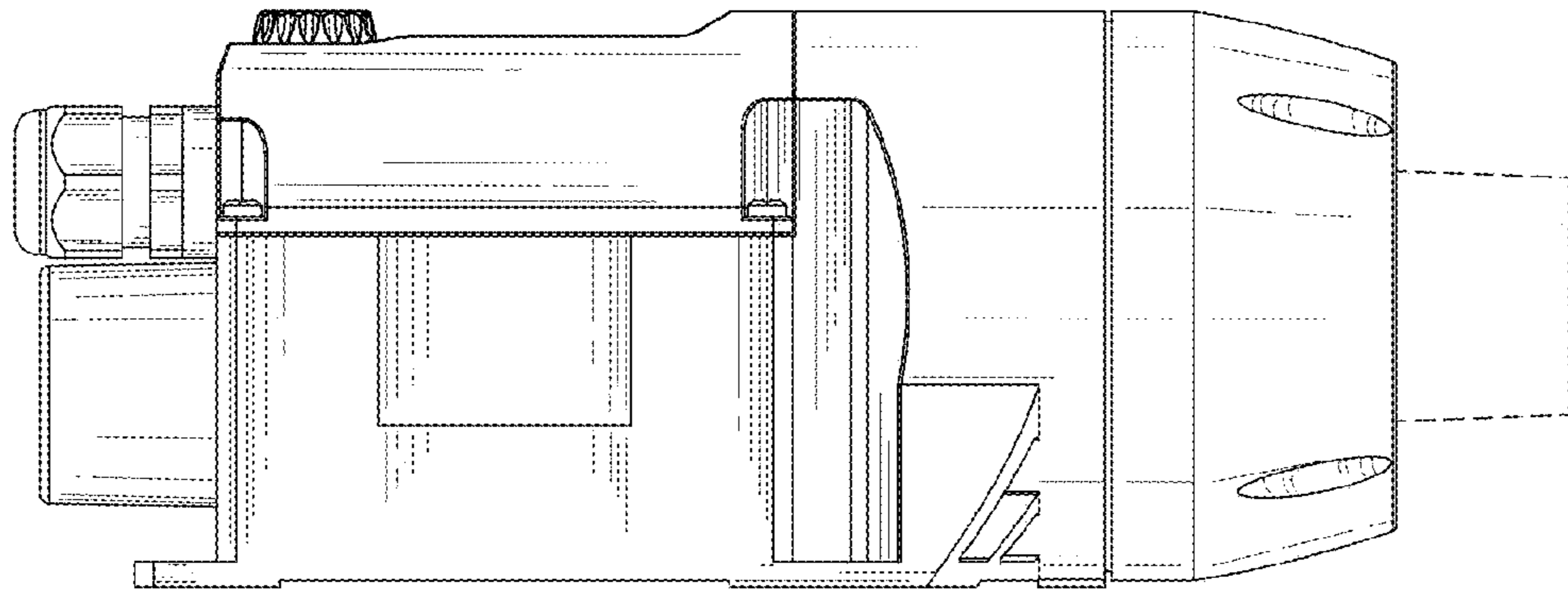


FIG. 1

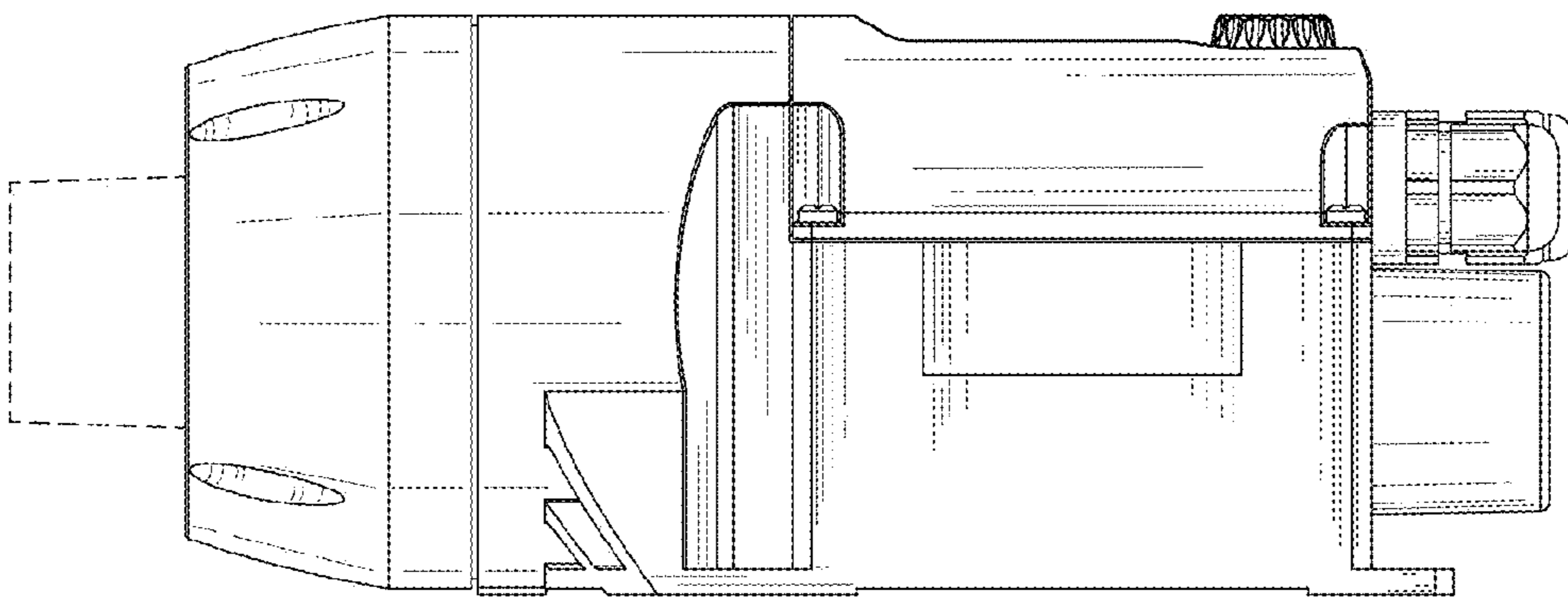


FIG. 2

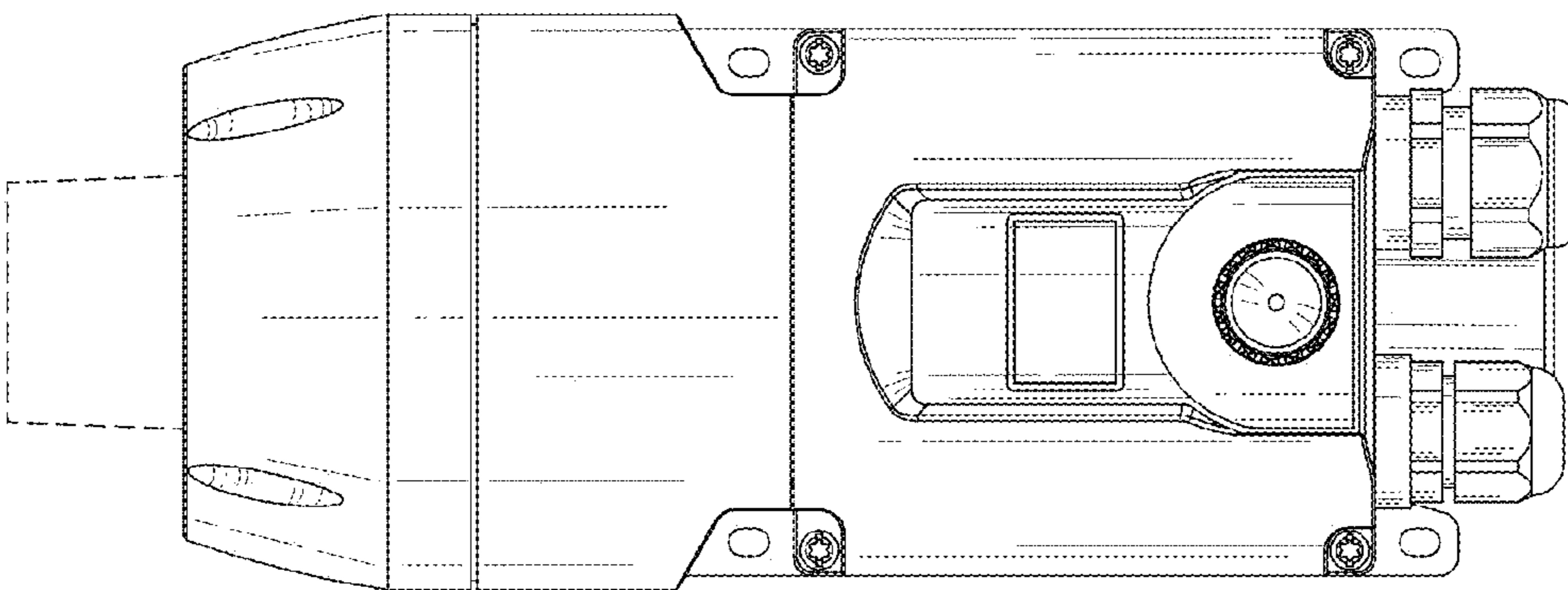


FIG. 3

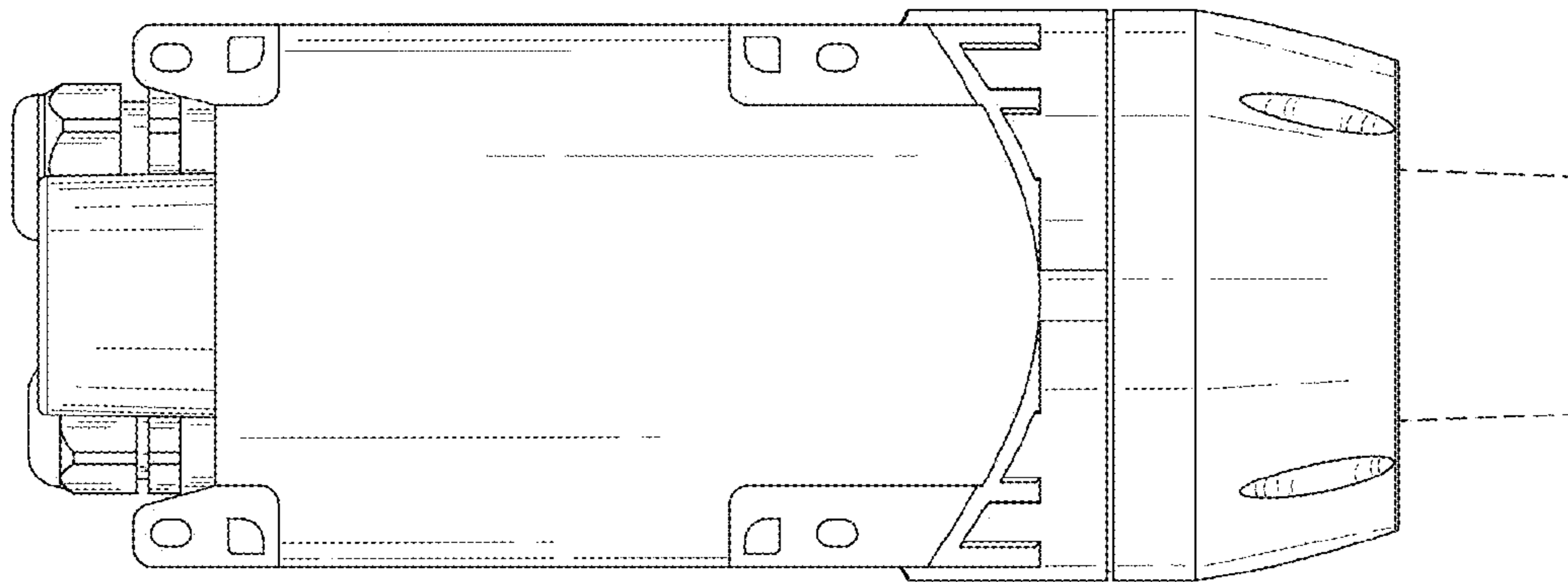


FIG. 4

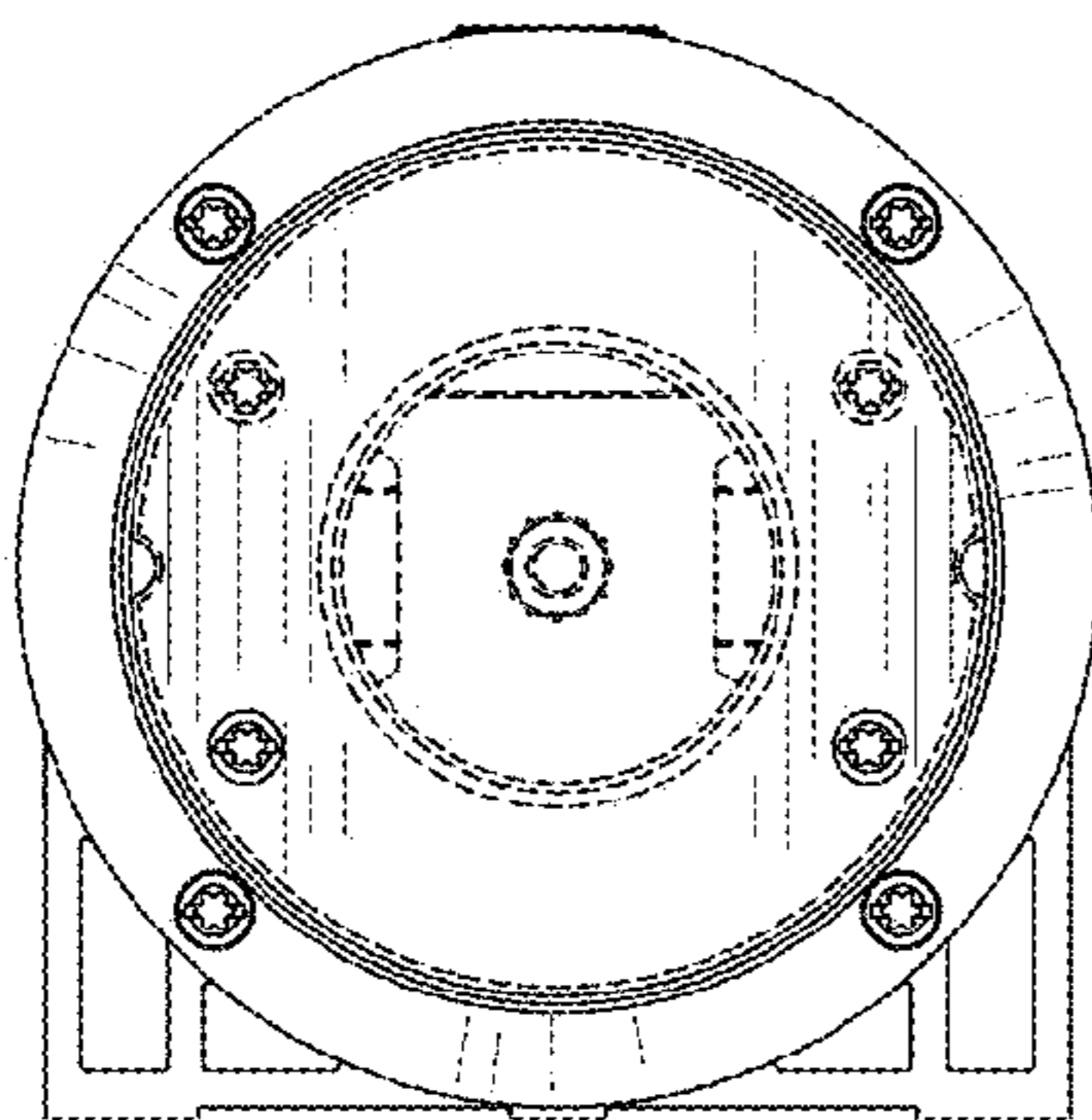


FIG. 5

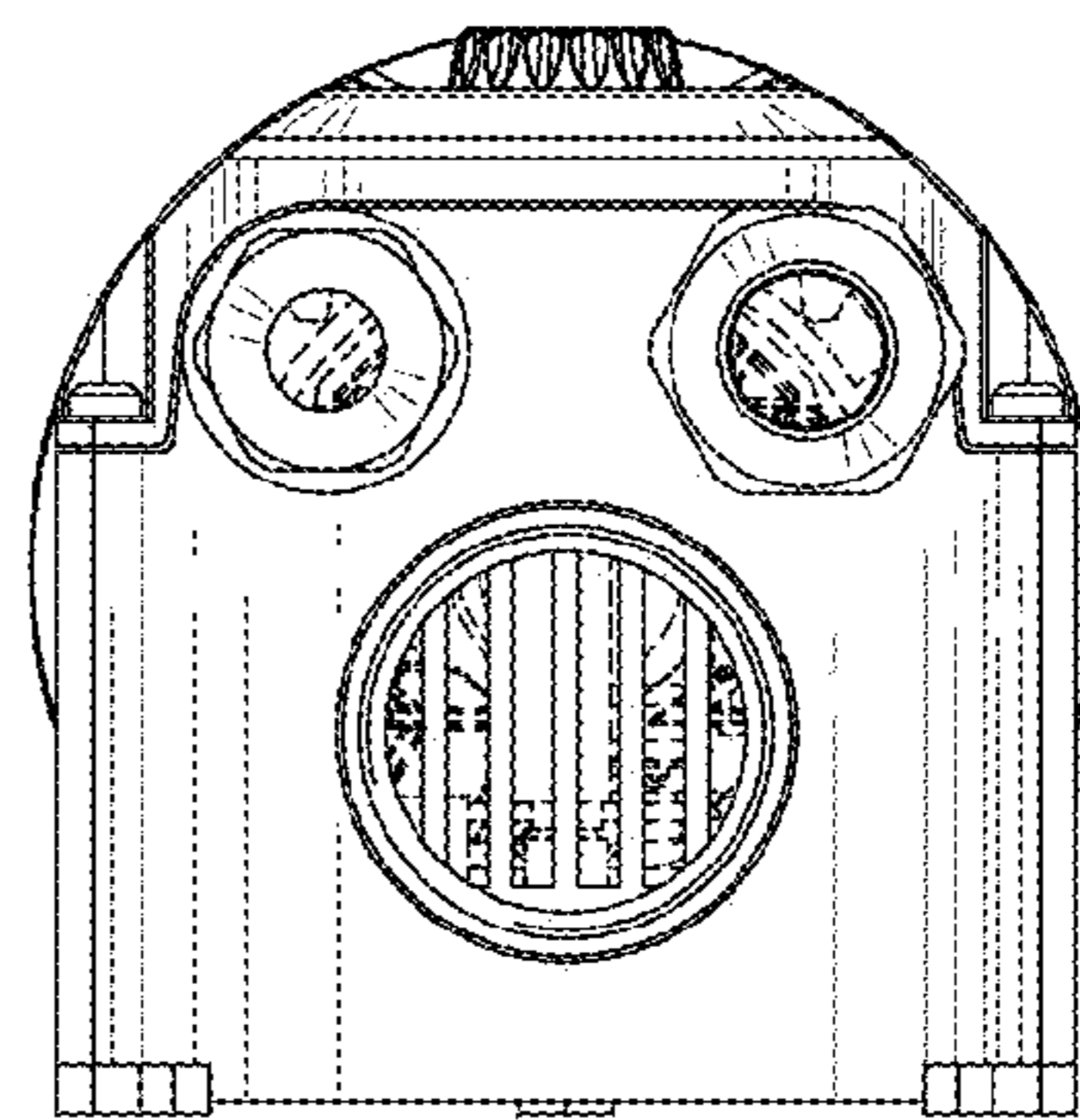


FIG. 6

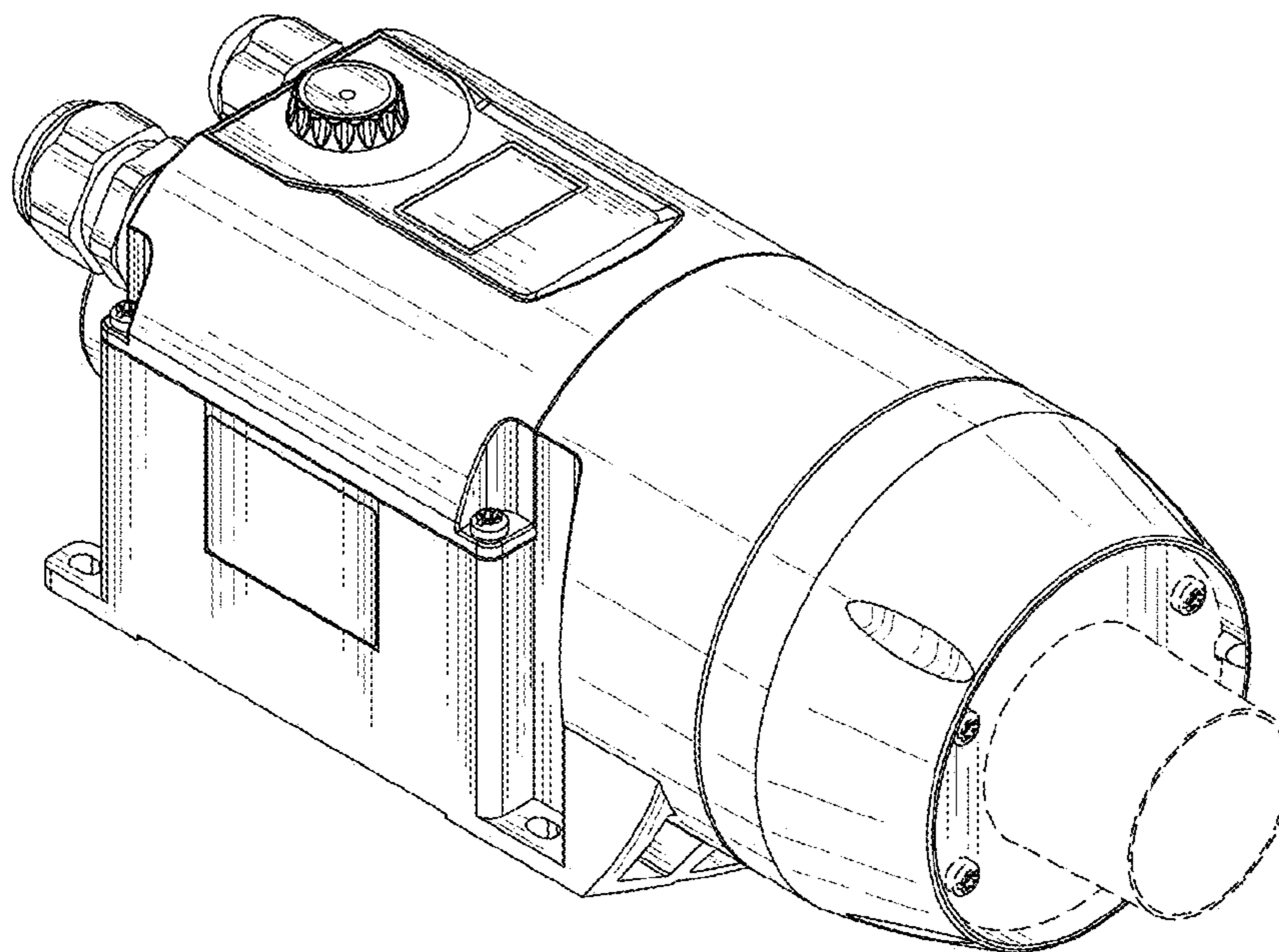


FIG. 7