



US00D743014S

(12) **United States Design Patent**
Paitchell et al.

(10) **Patent No.:** **US D743,014 S**

(45) **Date of Patent:** **** Nov. 10, 2015**

(54) **PLATE WITH CURVED RAISED SURFACES**

(71) Applicant: **Foremost Groups, Inc.**, East Hanover, NJ (US)

(72) Inventors: **Michael Paitchell**, Clifton, NJ (US);
Shihong Wan, Shenzhen (CN)

(73) Assignee: **Foremost Groups, Inc.**, East Hanover, NJ (US)

(**) Term: **14 Years**

(21) Appl. No.: **29/497,972**

(22) Filed: **Jul. 30, 2014**

(51) **LOC (10) Cl.** **23-02**

(52) **U.S. Cl.**
USPC **D23/313**

(58) **Field of Classification Search**
USPC D23/249–251, 309, 313; D13/162, 171;
D10/49–51
CPC E03D 5/024; E03D 5/092; E03D 5/02;
E03D 1/308; E03D 5/09; E03D 5/094; E03D
5/105; A47K 13/10; A47K 13/105; A47K
13/12
See application file for complete search history.

(56) **References Cited**

U.S. PATENT DOCUMENTS

D348,311 S * 6/1994 Witzig D23/313
D393,900 S * 4/1998 Witzig D23/313
D463,016 S * 9/2002 Witzig D23/313
D467,322 S * 12/2002 Witzig D23/313

D536,274 S * 2/2007 Rosenblatt D10/49
D580,533 S * 11/2008 Maruhashi D23/313
D588,556 S * 3/2009 Kobayashi D13/171
D589,907 S * 4/2009 Kobayashi D13/171
D631,946 S * 2/2011 Allard et al. D23/250
D648,831 S * 11/2011 Bradford D23/309
D669,866 S * 10/2012 Gilbert et al. D23/249
8,387,172 B2 * 3/2013 Nasrallah 4/324
D726,881 S * 4/2015 Sandee D23/249
D731,043 S * 6/2015 Behling D23/309
D734,275 S * 7/2015 Staubli et al. D13/162

* cited by examiner

Primary Examiner — Robert Delehanty

(74) *Attorney, Agent, or Firm* — Drinker Biddle & Reath LLP

(57) **CLAIM**

The ornamental design for a plate with curved raised surfaces, as shown and described.

DESCRIPTION

FIG. 1 is a top front isometric view of a plate with curved raised surfaces according to the present invention.

FIG. 2 is a bottom front isometric view of the plate with curved raised surfaces of FIG. 1.

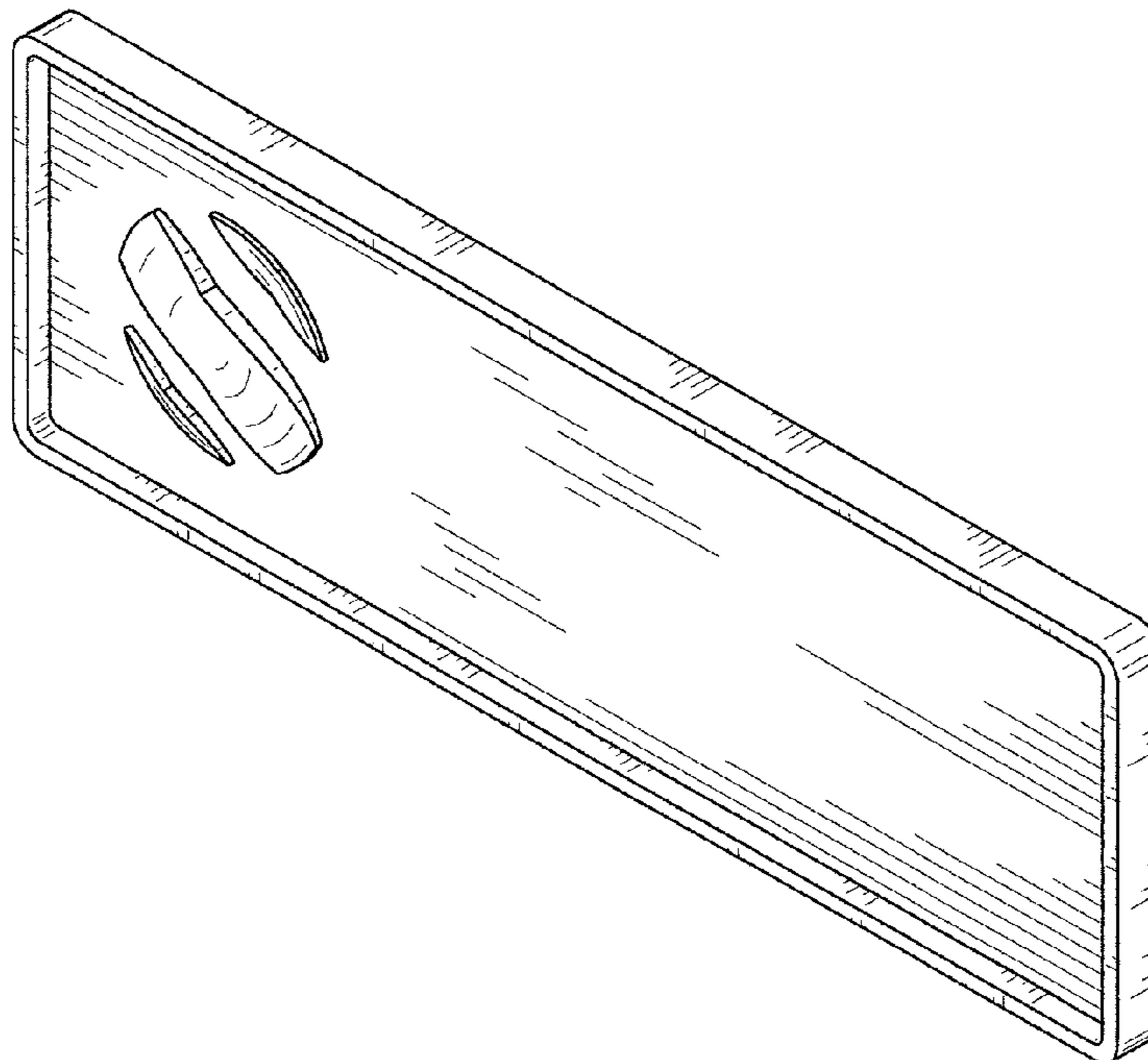
FIG. 3 is a front view of the plate with curved raised surfaces of FIG. 1.

FIG. 4 is a rear view of the plate with curved raised surfaces of FIG. 1.

FIG. 5 is a top view of the plate with curved raised surfaces of FIG. 1, the bottom view being a mirror image; and,

FIG. 6 is a left side view of the plate with curved raised surfaces of FIG. 1, the right side view being a mirror image.

1 Claim, 3 Drawing Sheets



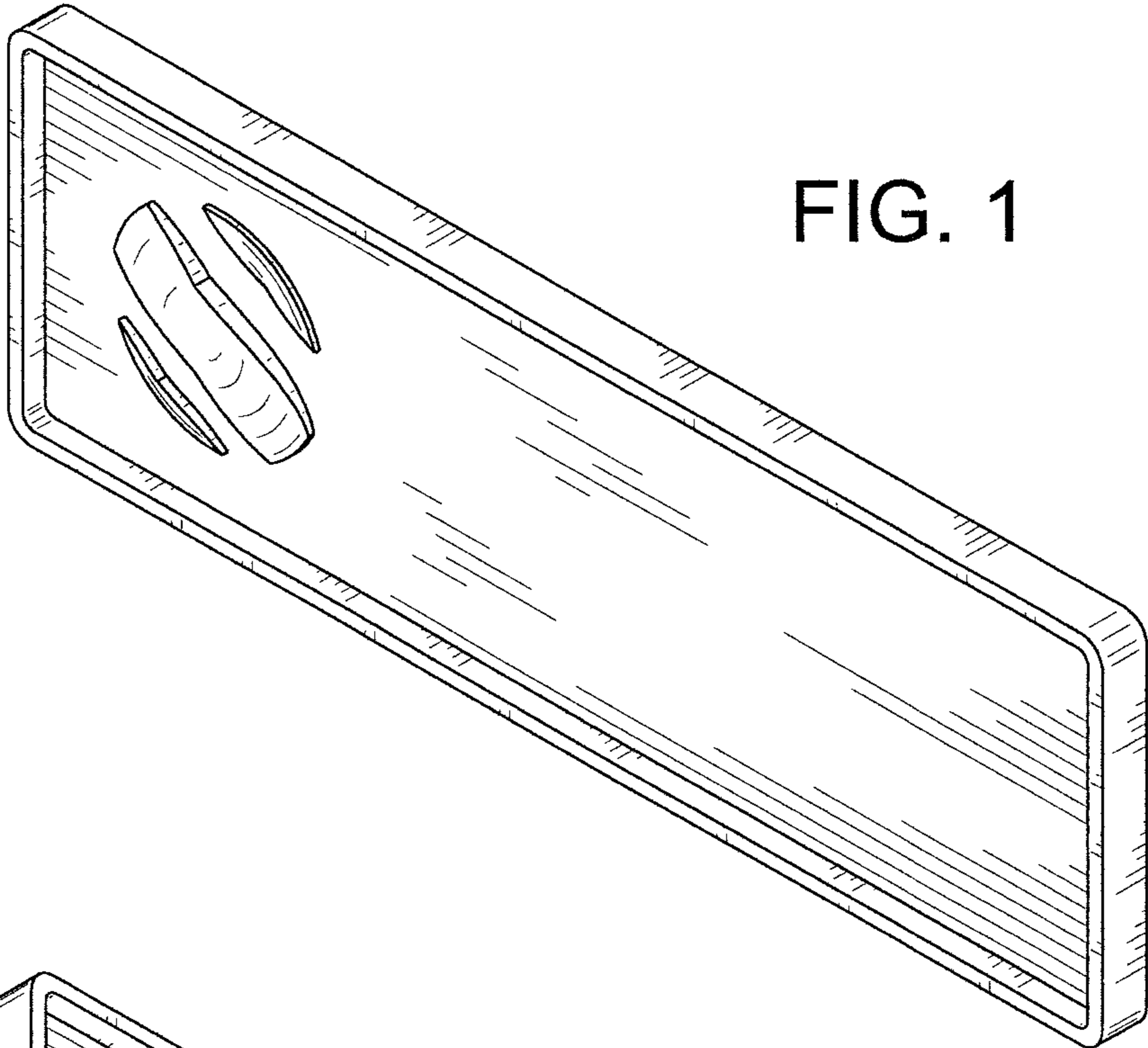


FIG. 1

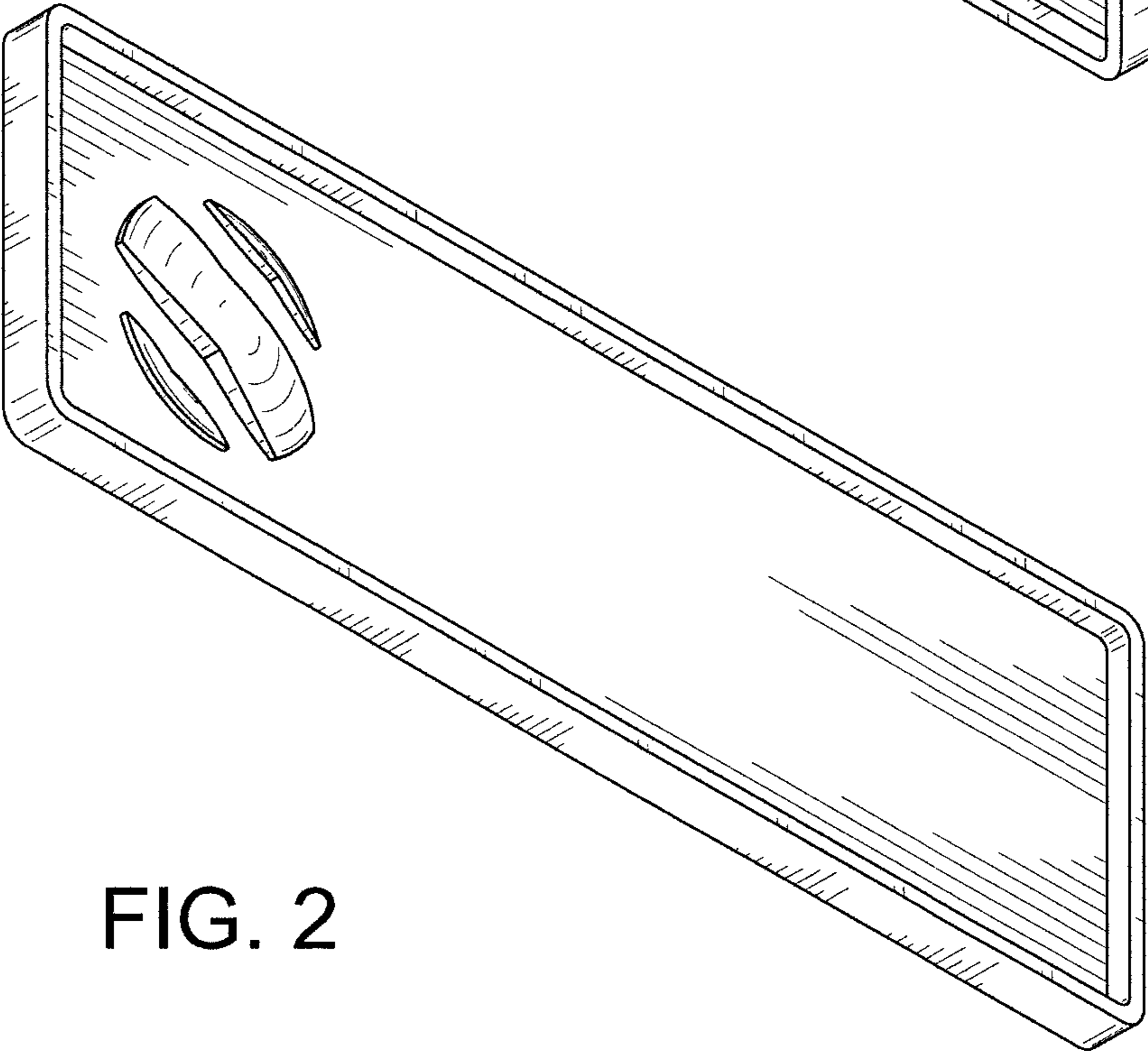


FIG. 2

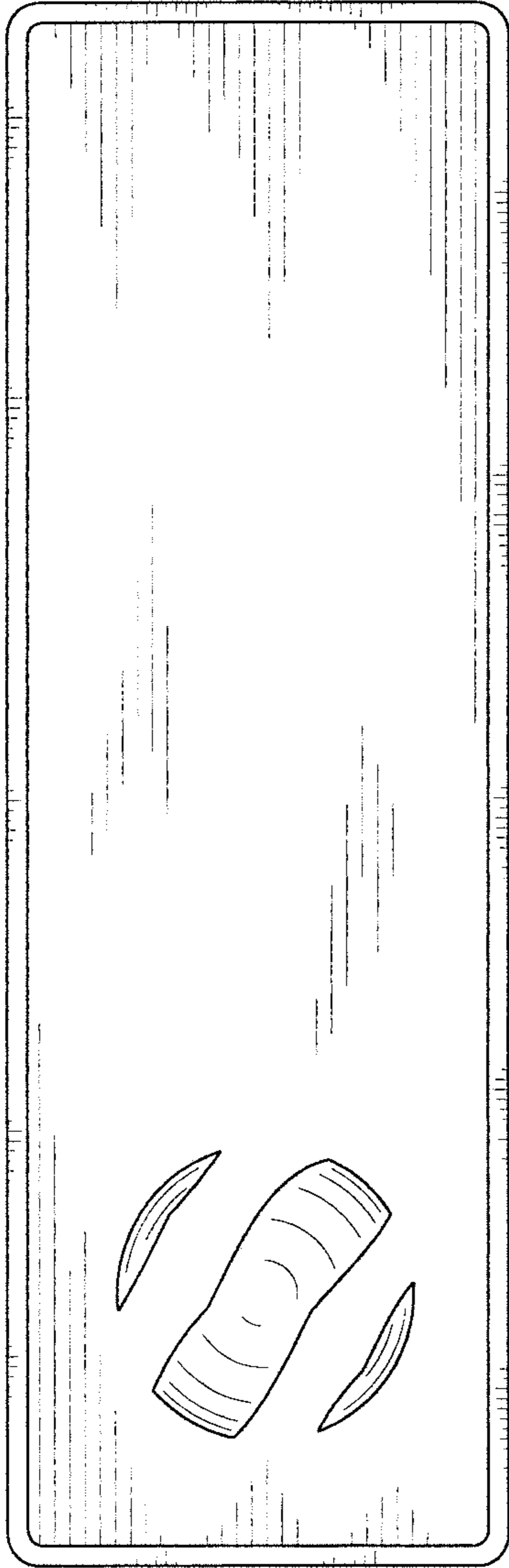


FIG. 3

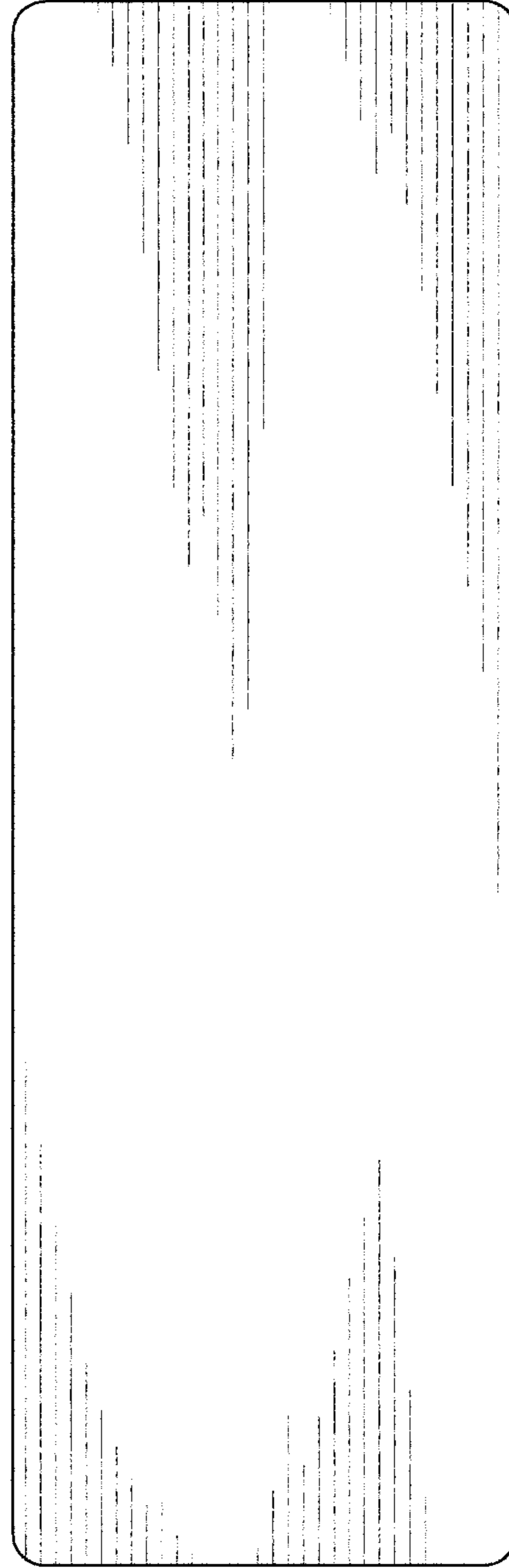


FIG. 4

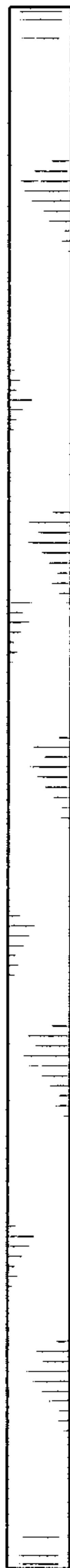


FIG. 5

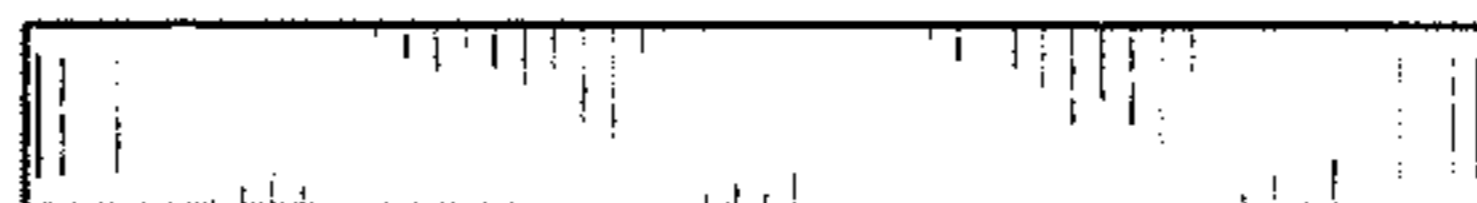


FIG. 6