



US00D743011S

(12) **United States Design Patent**  
**Woodside et al.**

(10) **Patent No.:** **US D743,011 S**

(45) **Date of Patent:** **\*\* Nov. 10, 2015**

(54) **EMERGENCY TOILET**

(71) Applicants: **Terence Woodside**, Toronto (CA); **Lee Fletcher**, Toronto (CA); **Scott Curtis Smith**, Brooklin (CA); **Norman Rae Smith**, Ajax (CA)

(72) Inventors: **Terence Woodside**, Toronto (CA); **Lee Fletcher**, Toronto (CA); **Scott Curtis Smith**, Brooklin (CA); **Norman Rae Smith**, Ajax (CA)

(73) Assignee: **Sancor Industries Ltd.**, Oshawa (CA)

(\*\*) Term: **14 Years**

(21) Appl. No.: **29/504,794**

(22) Filed: **Oct. 9, 2014**

(51) **LOC (10) Cl.** ..... **23-02**

(52) **U.S. Cl.**  
USPC ..... **D23/299**

(58) **Field of Classification Search**  
USPC ..... D23/295, 301, 303, 309, 311, 299  
CPC ... E03D 9/08; E03C 2001/1213; A47K 3/022  
See application file for complete search history.

(56) **References Cited**

U.S. PATENT DOCUMENTS

6,397,405 B1 *	6/2002	Grech et al.	4/420
D531,711 S *	11/2006	Bradford	D23/295
D688,355 S *	8/2013	Moore	D23/295

\* cited by examiner

*Primary Examiner* — Robert Delehanty

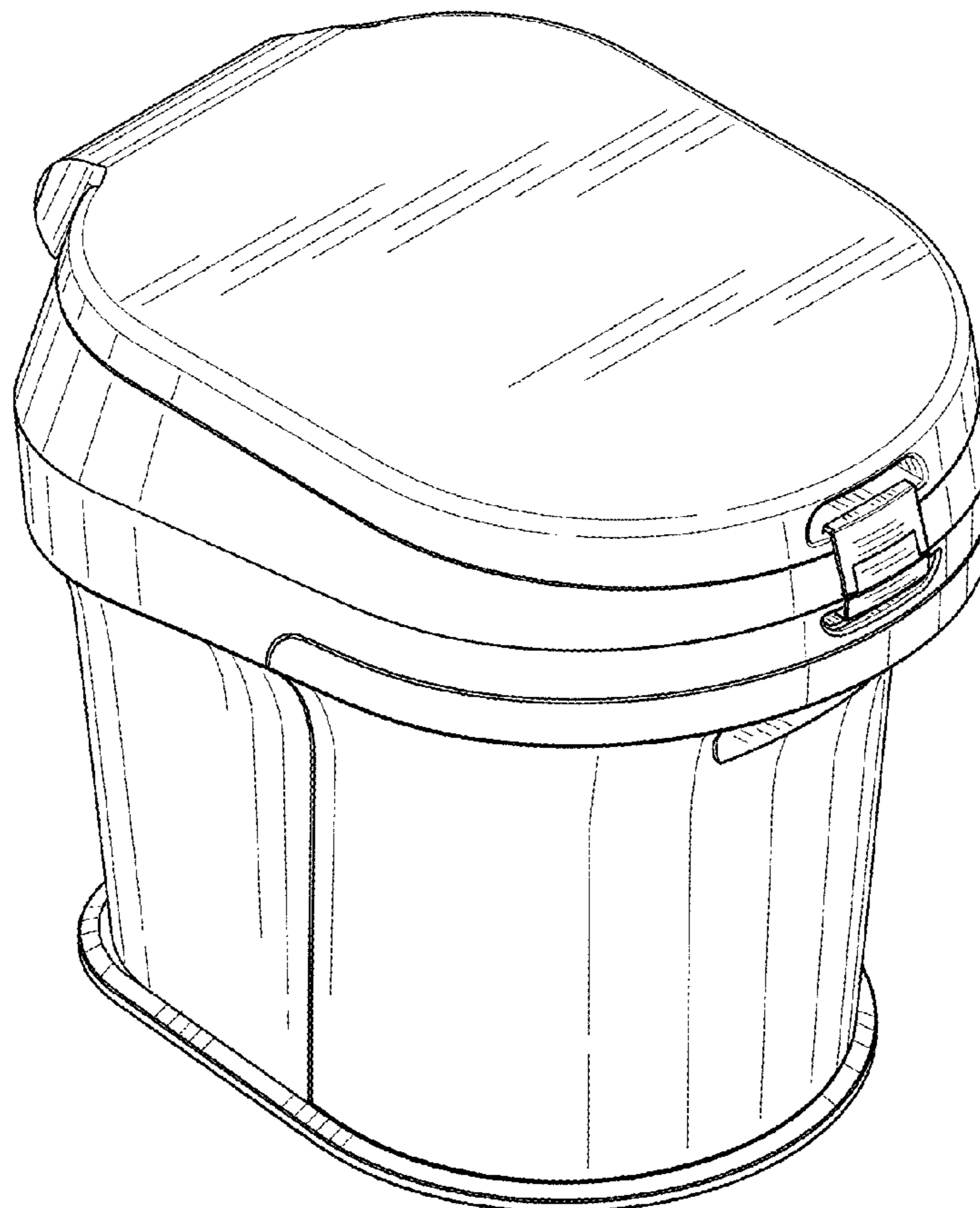
(57) **CLAIM**

The ornamental design for the emergency toilet, as shown and described.

**DESCRIPTION**

FIG. 1 is a right side plan view of the emergency toilet.  
FIG. 2 is a front plan view of the emergency toilet.  
FIG. 3 is a left side plan view of the emergency toilet.  
FIG. 4 is a back plan view of the emergency toilet.  
FIG. 5 is atop plan view of the emergency toilet; and,  
FIG. 6 is a front perspective view of the emergency toilet.

**1 Claim, 6 Drawing Sheets**



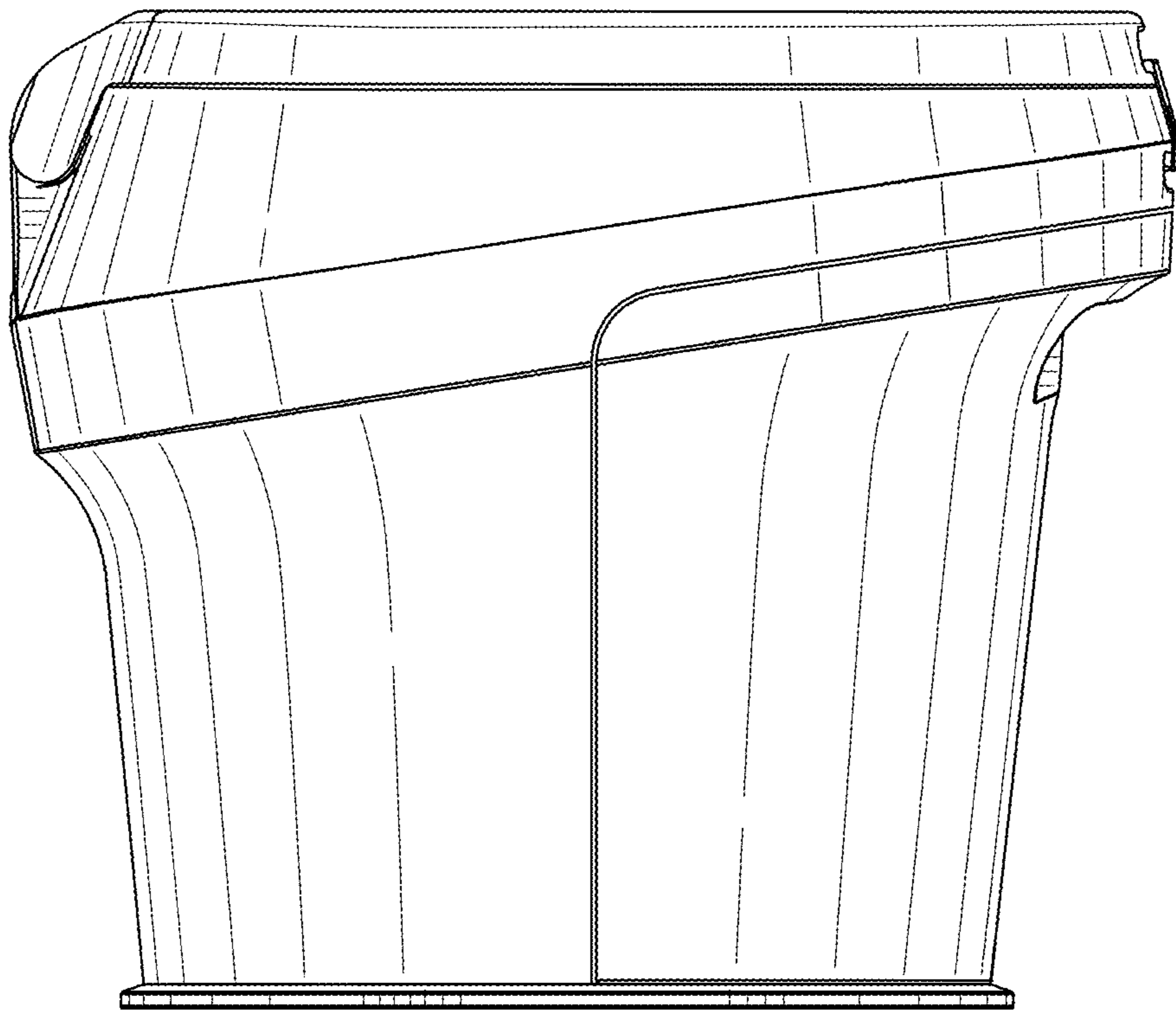


FIG. 1

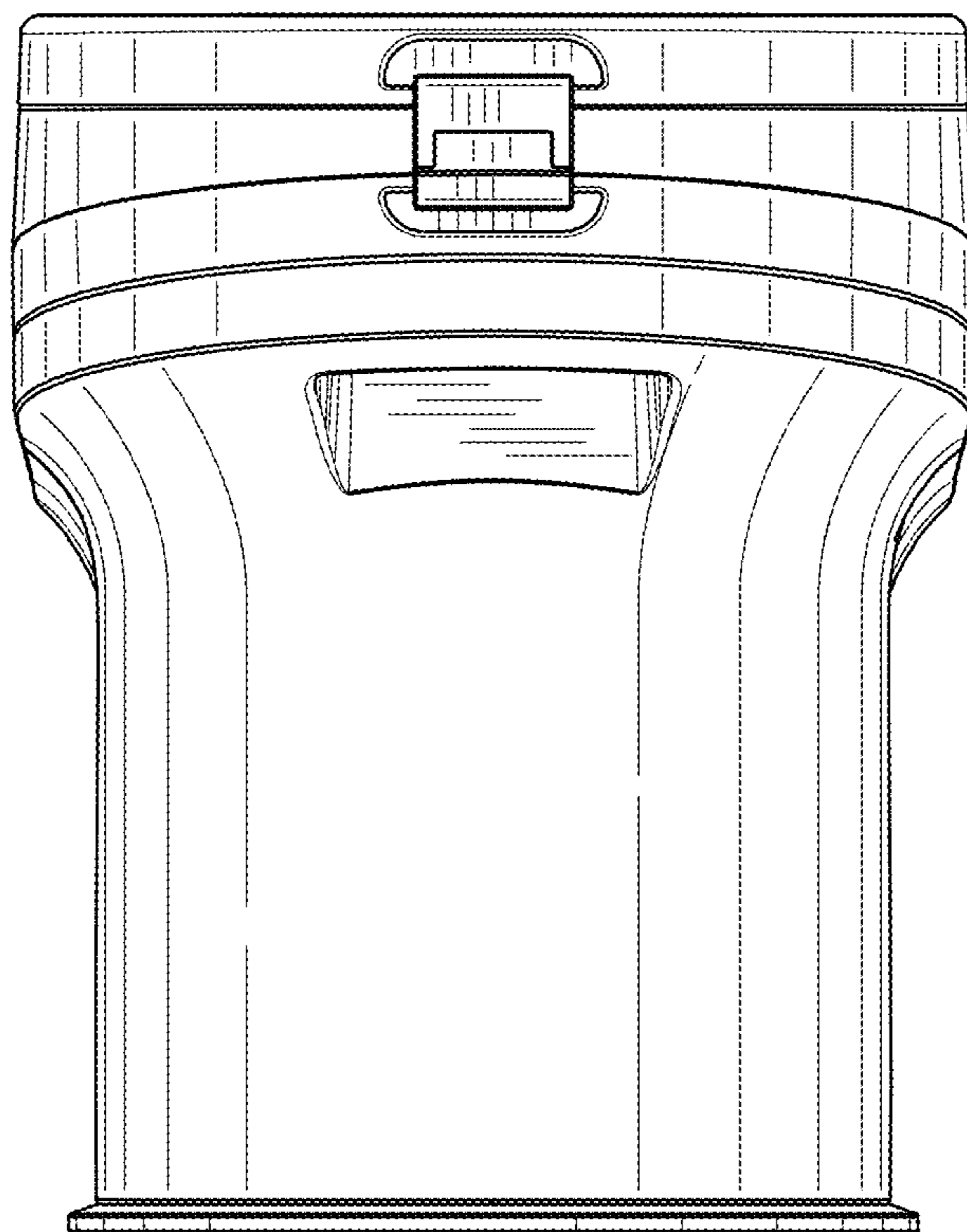
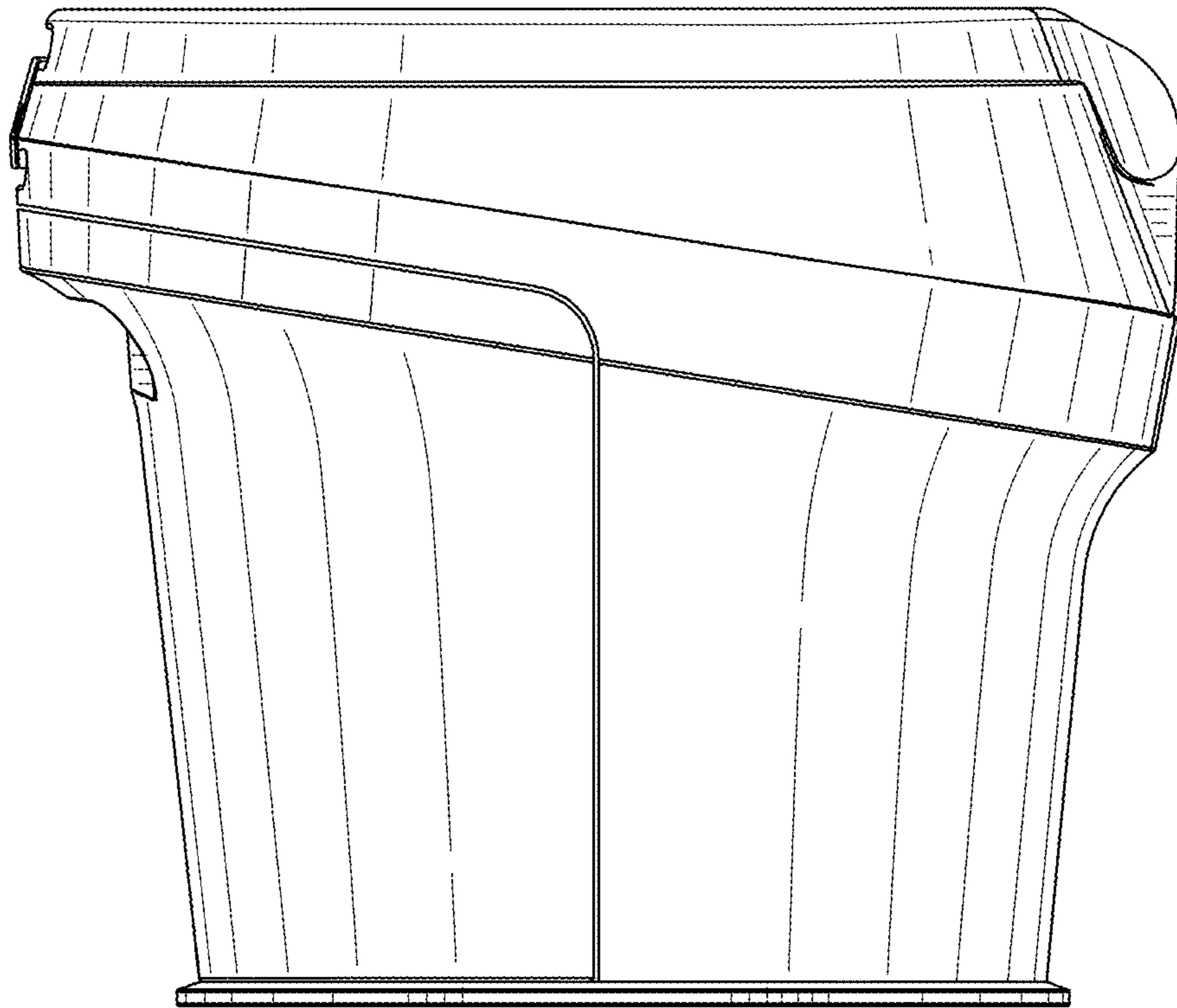
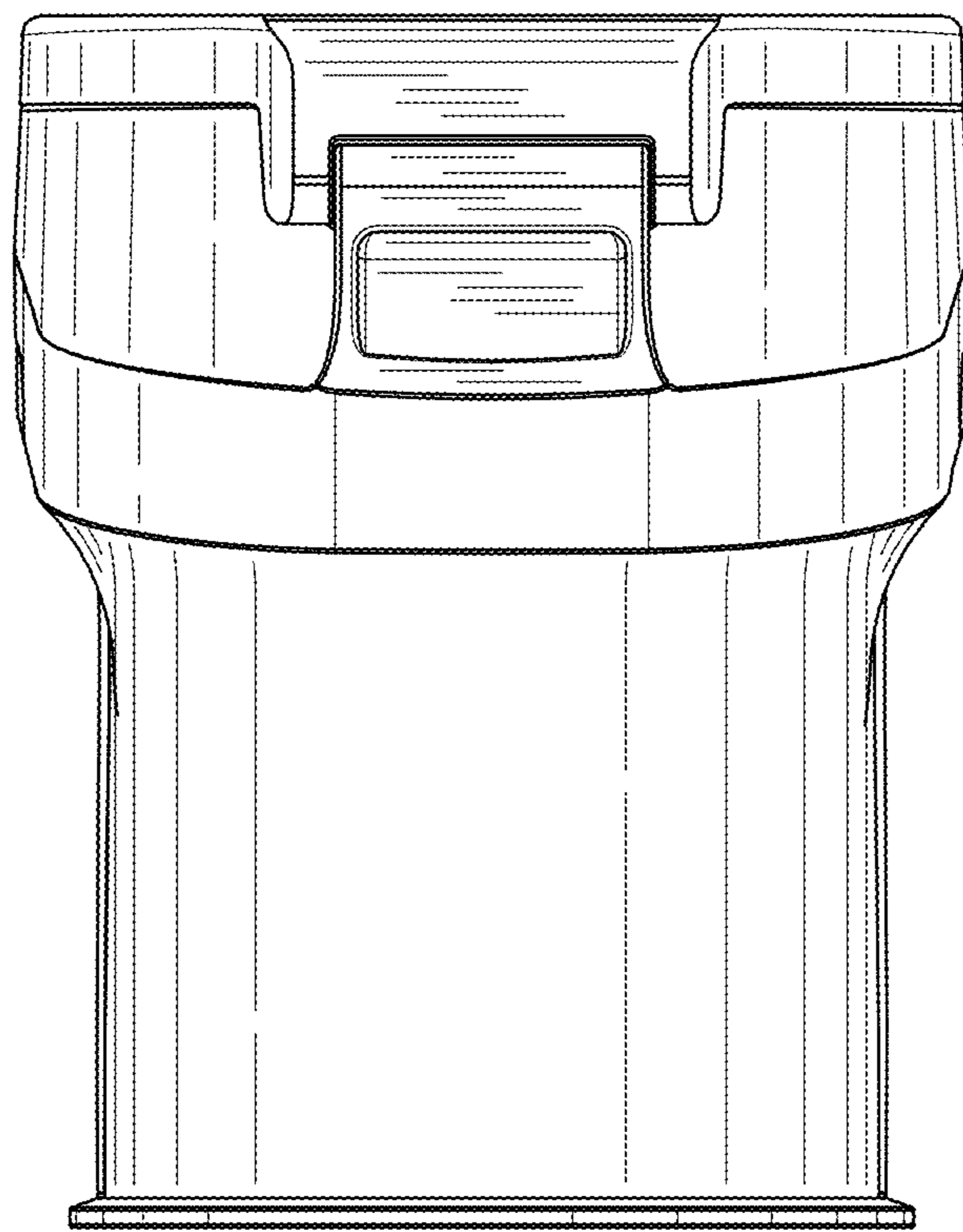


FIG. 2



**FIG. 3**



**FIG. 4**

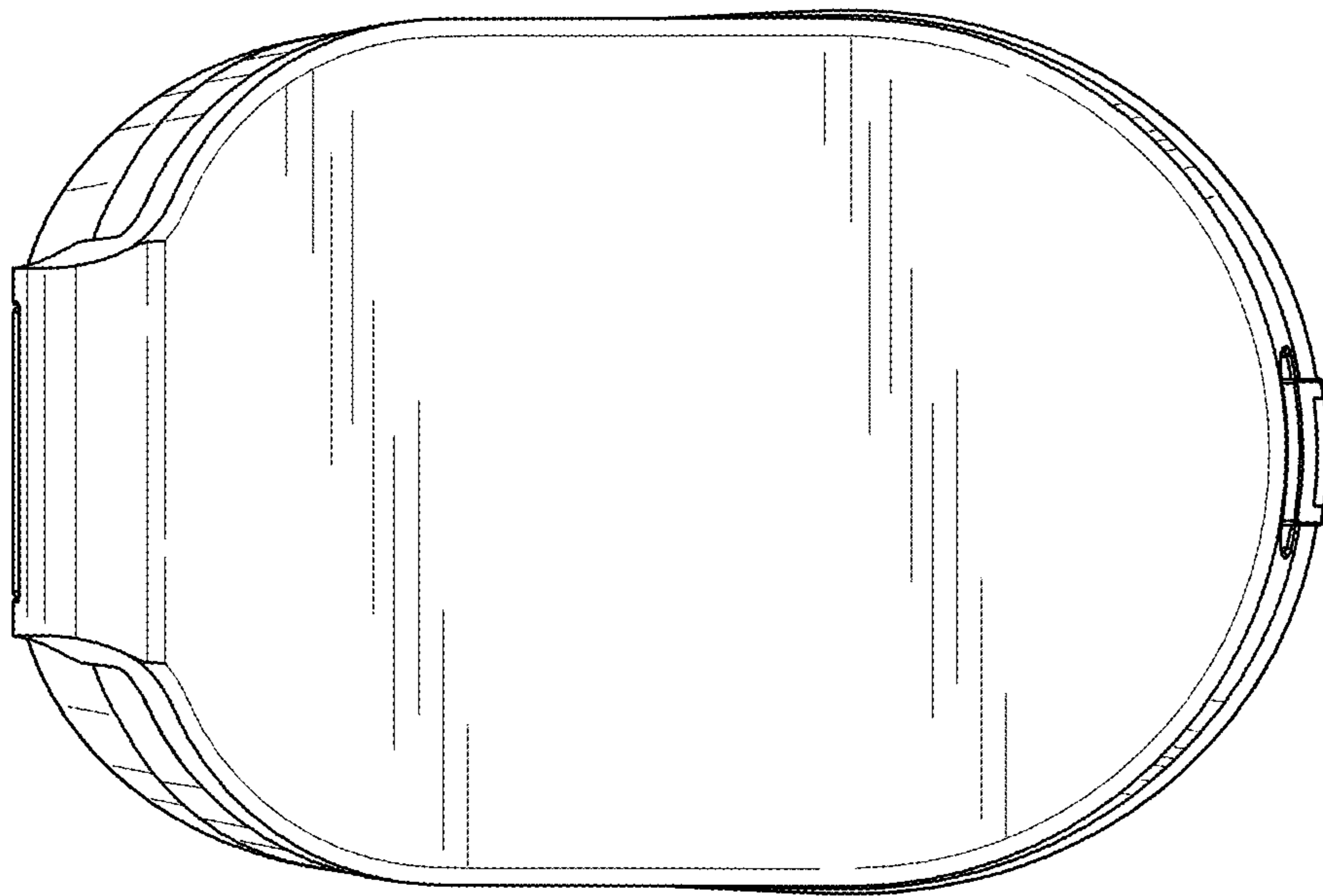
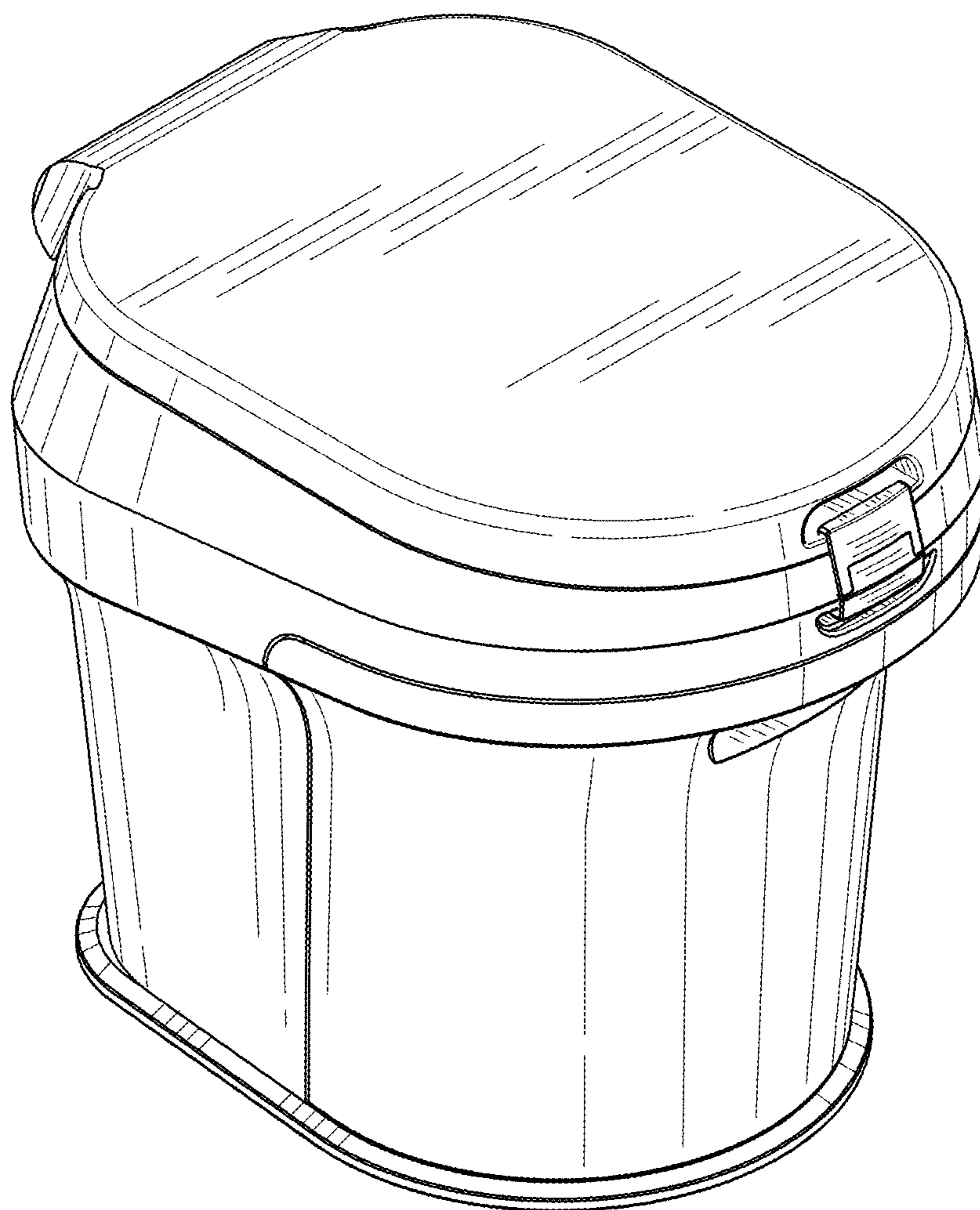


FIG. 5





**FIG. 6**