



US00D743008S

(12) **United States Design Patent**  
**Tarvaran**

(10) **Patent No.:** **US D743,008 S**  
(45) **Date of Patent:** **\*\* Nov. 10, 2015**

- (54) **SCREEN FOR A GUTTER**
- (71) Applicant: **Metrotile Manufacturing**, Oceanside, CA (US)
- (72) Inventor: **Patrick Tarvaran**, Oceanside, CA (US)
- (73) Assignee: **Metrotile Manufacturing**, Oceanside, CA (US)
- (\*\*) Term: **14 Years**
- (21) Appl. No.: **29/512,960**
- (22) Filed: **Dec. 23, 2014**
- (51) **LOC (10) Cl.** ..... **23-01**
- (52) **U.S. Cl.**  
USPC ..... **D23/267**
- (58) **Field of Classification Search**  
USPC ..... D23/259–263, 266–269, 233, 209, 210;  
251/215, 216; 285/369, 372, 373, 417,  
285/133.11, 133.3, 133.21, 133.4, 133.5,  
285/133.6; 137/247, 247.41, 247.51  
CPC ..... F16L 11/00; F16L 37/252; F16L 41/007;  
E03C 1/26; E03C 1/262; E03C 1/28; E03F  
5/04; A61B 5/00; A61M 25/09016  
See application file for complete search history.

5,592,783	A *	1/1997	Jones	.....	E04D 13/076	210/474
D417,264	S *	11/1999	Beth	.....	D23/261	
D521,127	S *	5/2006	Hogenson	.....	D23/267	
D523,538	S *	6/2006	Brochu	.....	D23/267	
D565,706	S *	4/2008	Murray	.....	D23/261	
D615,632	S *	5/2010	Wootton	.....	D23/267	
D621,481	S *	8/2010	Wootton	.....	D23/261	
D621,484	S *	8/2010	Wootton	.....	D23/267	
D635,225	S *	3/2011	Collins	.....	D23/267	
D638,920	S *	5/2011	Ealer, Sr.	.....	D23/267	
D722,682	S *	2/2015	Fox	.....	D23/267	

\* cited by examiner

*Primary Examiner* — Sandra Snapp

(74) *Attorney, Agent, or Firm* — Knobbe Martens Olson & Bear LLP

(57) **CLAIM**

The ornamental design for a screen for a gutter, as shown and described.

**DESCRIPTION**

FIG. 1 is a top, back and side perspective view of a screen for a gutter embodying my new design.

FIG. 2 is a detail view thereof taken along line 2 of FIG. 1.

FIG. 3 is a side view thereof, the opposite side being a mirror image.

FIG. 4 is a top view thereof.

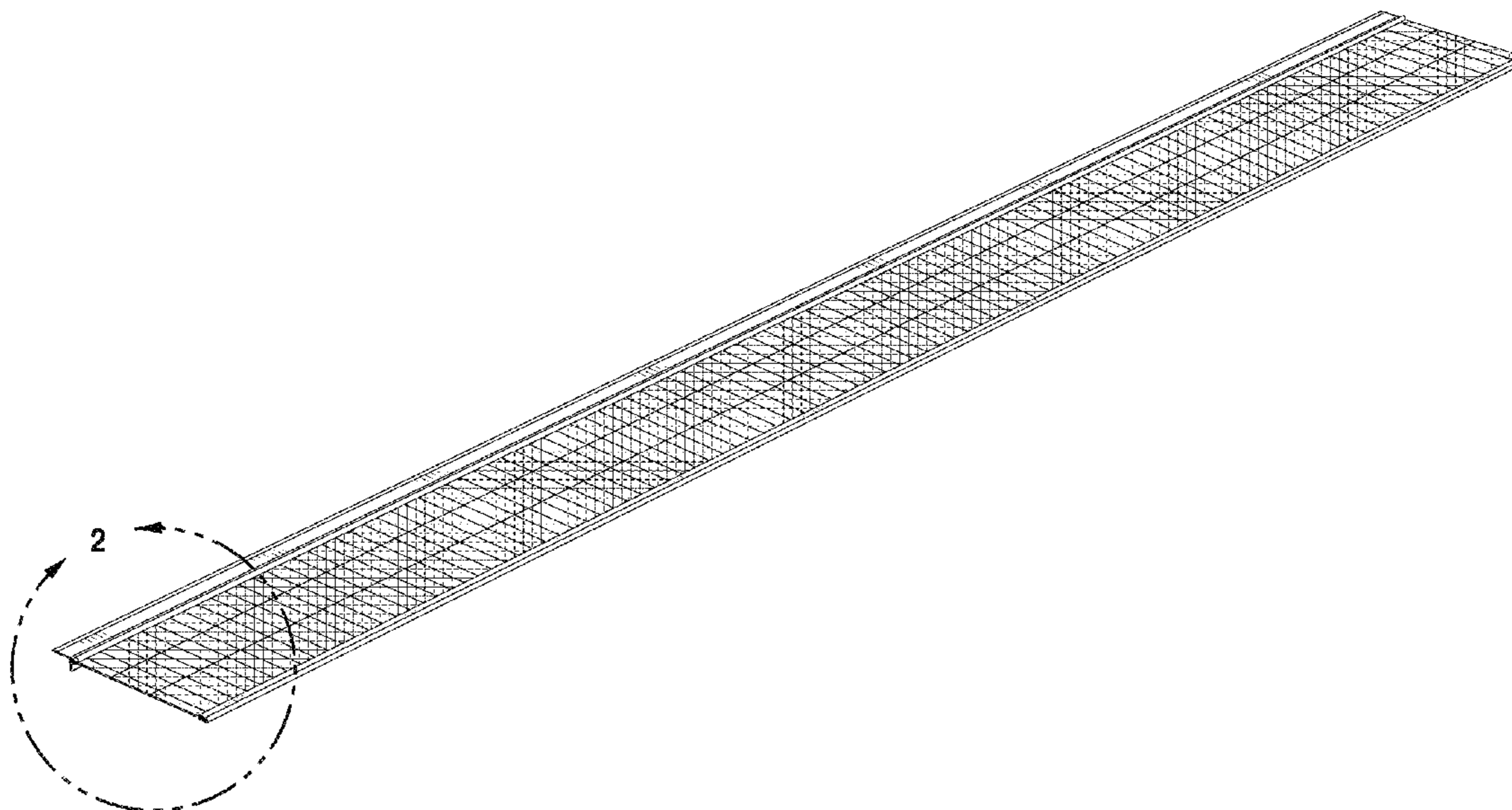
FIG. 5 is a front view thereof.

FIG. 6 is a back view thereof; and,

FIG. 7 is a bottom view thereof.

The cross hatched pattern shown as surface shading on the screen represents a continuous mesh pattern as can be seen in the detail view of FIG. 2 that is uniform throughout the surface. The broken line 2 in FIG. 1 forms no part of the claimed design.

**1 Claim, 3 Drawing Sheets**



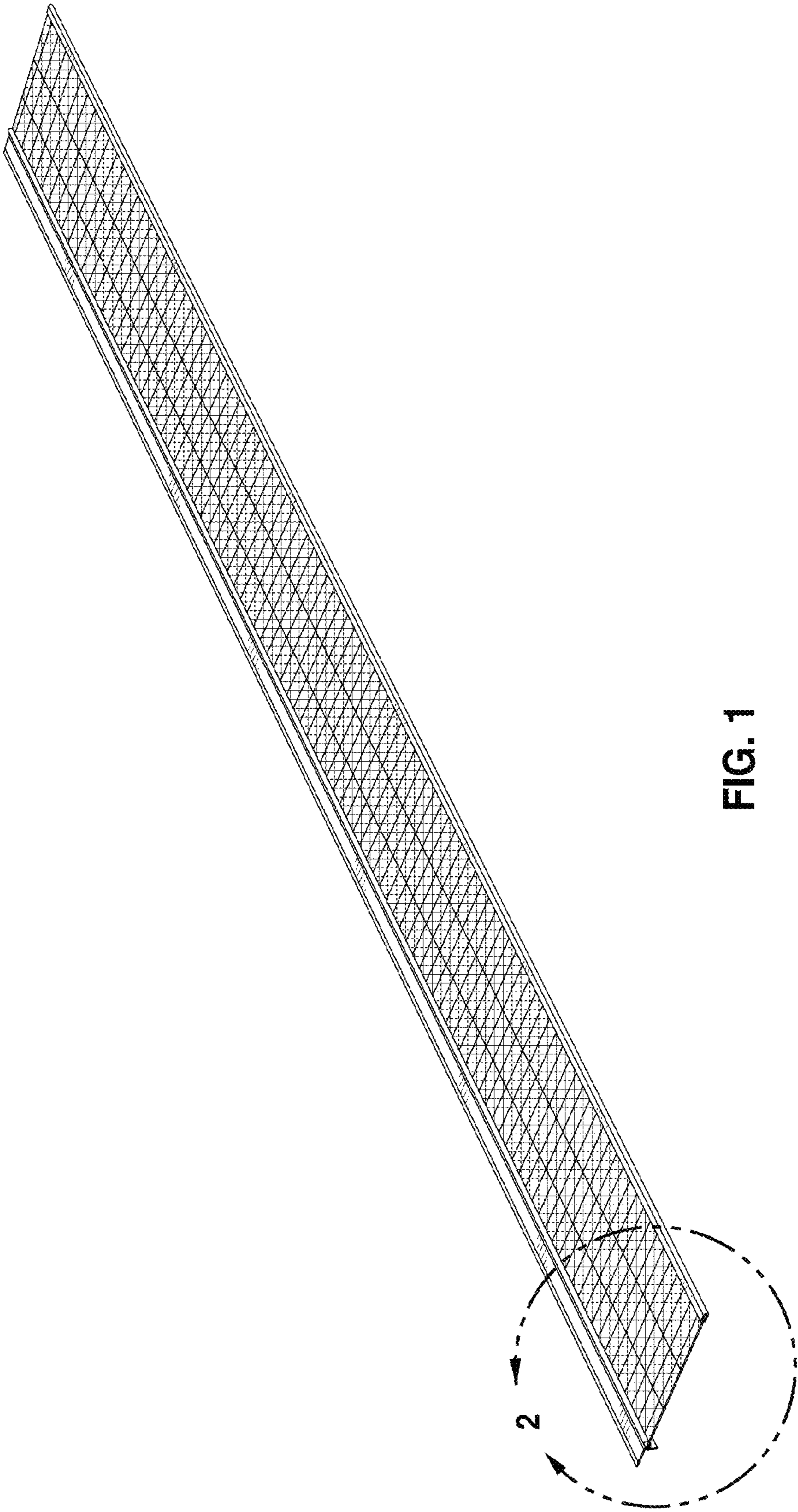


FIG. 1

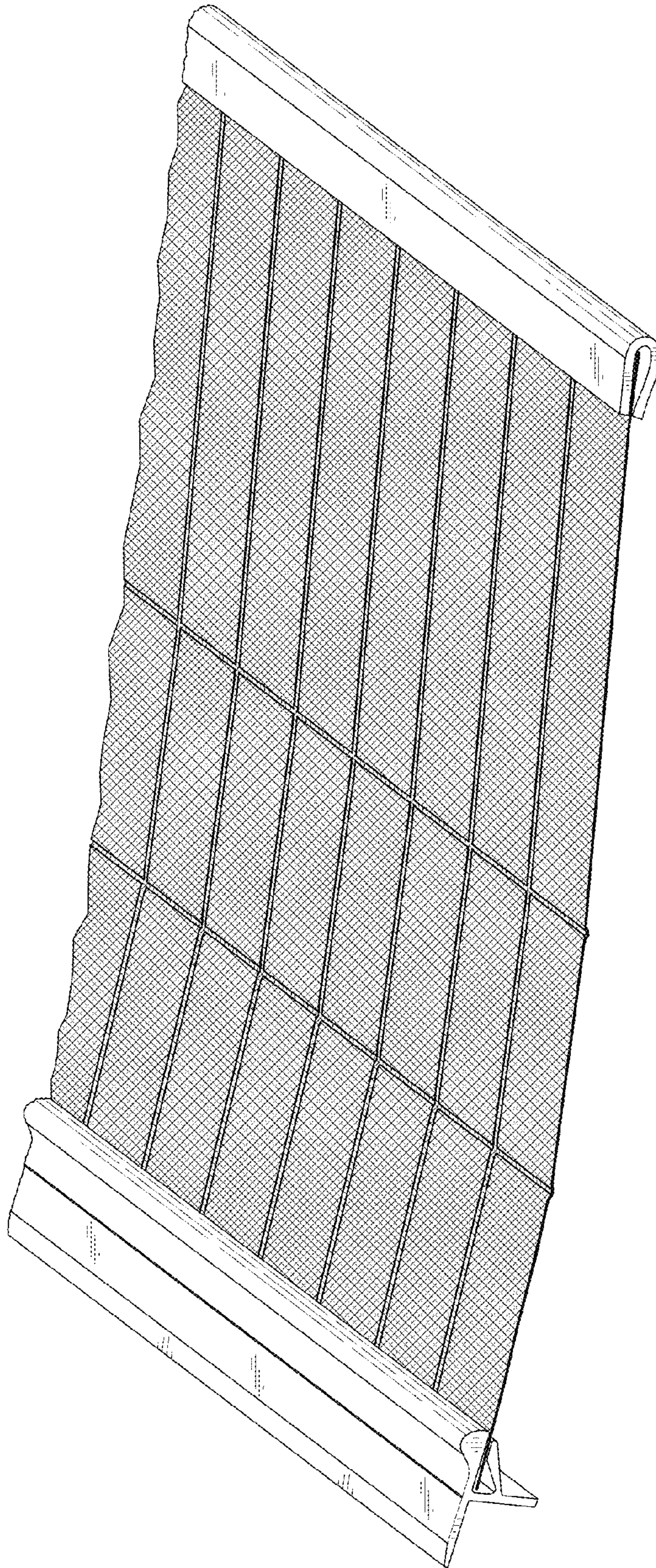


FIG. 2

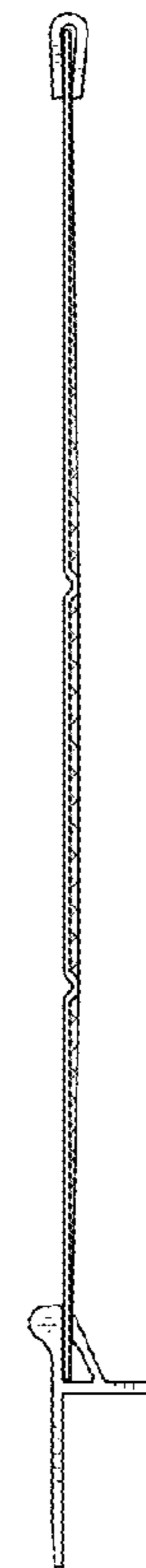


FIG. 3

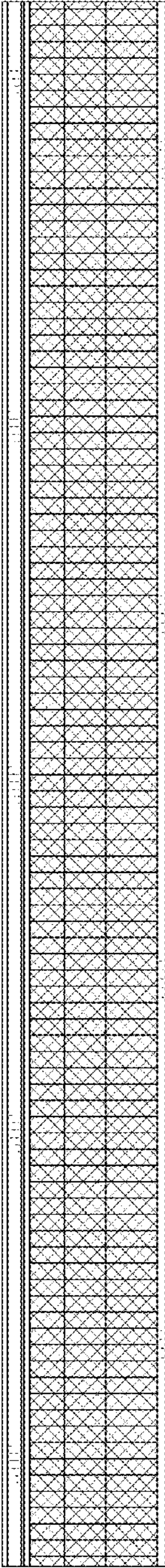


FIG. 4



FIG. 5



FIG. 6

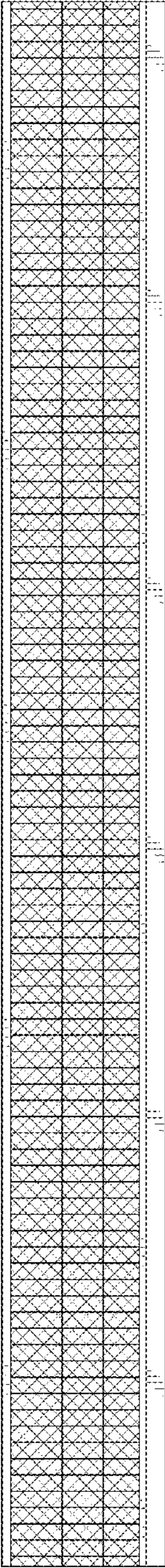


FIG. 7