



US00D743007S

(12) **United States Design Patent**
Kimura

(10) **Patent No.:** **US D743,007 S**
(45) **Date of Patent:** **** Nov. 10, 2015**

(54) **SLITTED PIPE**

(71) Applicant: **ASAHI INTECC CO., LTD.**,
Nagoya-shi, Aichi (JP)

(72) Inventor: **Kazuyuki Kimura**, Izumi (JP)

(73) Assignee: **ASAHI INTECC CO., LTD.**, Nagoya
(JP)

(**) Term: **14 Years**

(21) Appl. No.: **29/510,589**

(22) Filed: **Dec. 1, 2014**

(51) **LOC (10) Cl.** **23-01**

(52) **U.S. Cl.**
USPC **D23/266**

(58) **Field of Classification Search**
USPC D23/259–263, 266–269, 233; 251/215,
251/216
CPC F16L 11/00; F16L 37/252; F16L 41/007;
E03C 1/26; E03C 1/262; E03C 1/28; E03F
5/04; A61B 5/00; A61M 25/09016
See application file for complete search history.

(56) **References Cited**

U.S. PATENT DOCUMENTS

D296,355 S *	6/1988	Kanao	D23/266
D296,356 S *	6/1988	Kanao	D23/266
5,345,945 A	9/1994	Hodgson et al.		
D501,539 S *	2/2005	Dyer, III	D23/262
D566,063 S *	4/2008	Kanao	D13/199
D566,064 S *	4/2008	Kanao	D13/199
D614,270 S *	4/2010	Green	D23/266
8,110,099 B2 *	2/2012	Hersey	B01D 35/147 D35/147
8,292,827 B2 *	10/2012	Musbach	A61M 25/0054 600/585
8,460,213 B2 *	6/2013	Northrop	A61B 1/00071 600/585
8,556,914 B2 *	10/2013	Vrba	A61M 25/00 606/127
D707,334 S *	6/2014	Hernandez	D23/266
8,876,772 B2 *	11/2014	Weber	A61L 29/041

				604/164.01
D723,670 S *	3/2015	Lorraine	D23/266
2005/0065456 A1	3/2005	Eskuri		
2007/0113912 A1 *	5/2007	Lawrence	B29C 45/1676 138/121
2007/0135763 A1	6/2007	Musbach et al.		
2008/0097398 A1	4/2008	Mitelberg et al.		
2008/0147170 A1	6/2008	Vrba		

(Continued)

FOREIGN PATENT DOCUMENTS

EP	0688 576 A1	6/1995
EP	1 656 963 A1	5/2006

(Continued)

OTHER PUBLICATIONS

Extended European Search Report issued in EP 14152815.8-1506
issued Mar. 13, 2014.

(Continued)

Primary Examiner — Sandra Snapp
(74) *Attorney, Agent, or Firm* — Oliff PLC

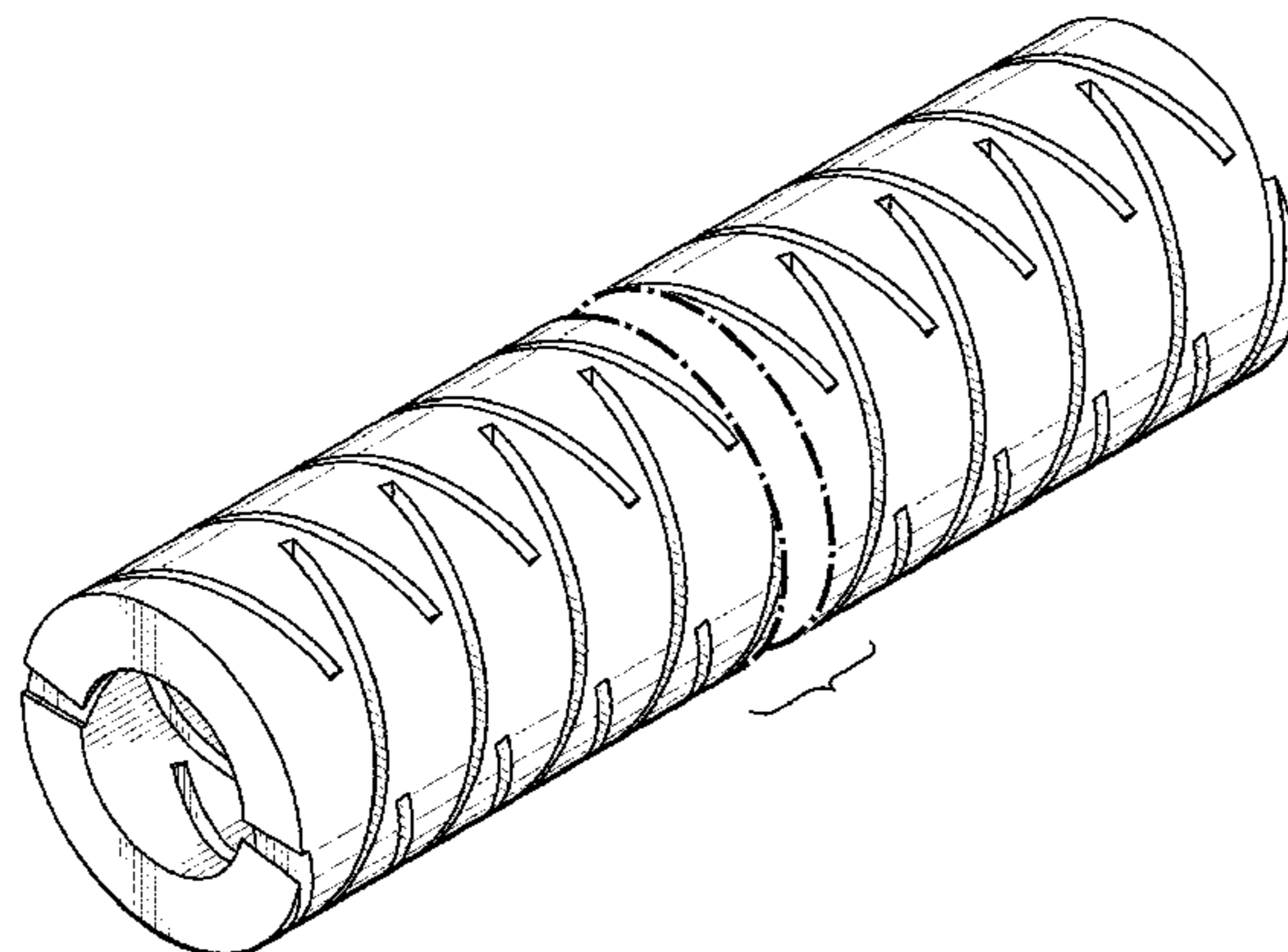
(57) **CLAIM**

The ornamental design for a slitted pipe, as shown and
described.

DESCRIPTION

FIG. 1 is a front, top, left-side perspective view of the slitted
pipe;
FIG. 2 is a front elevational view thereof;
FIG. 3 is a rear elevational view thereof;
FIG. 4 is a top plan view thereof;
FIG. 5 is a bottom plan view thereof;
FIG. 6 is a left-side elevational view thereof; and,
FIG. 7 is a right-side elevational view thereof.
The claim is directed only to the design for the portions of the
slitted pipe that are shown on either side of the bracketed
separation denoted by the bracket and dot-dash break lines.
The appearance of any portion of the article between the
break lines forms no part of the claimed design.

1 Claim, 4 Drawing Sheets



(56)

References Cited

U.S. PATENT DOCUMENTS

2010/0305475 A1 12/2010 Hinchliffe et al.
2011/0245808 A1 10/2011 Voeller et al.
2014/0214007 A1 7/2014 Kimura

FOREIGN PATENT DOCUMENTS

JP A-10-231987 9/1998
JP A-2007-514458 6/2007

JP A-2009-519103 5/2009
WO WO 2005/030311 A1 4/2005

OTHER PUBLICATIONS

Extended European Search Report issued in EP 14152816.6-1506
issued Mar. 13, 2014.

Extended European Search Report issued in EP 14152817.4-1506
issued Mar. 14, 2014.

* cited by examiner

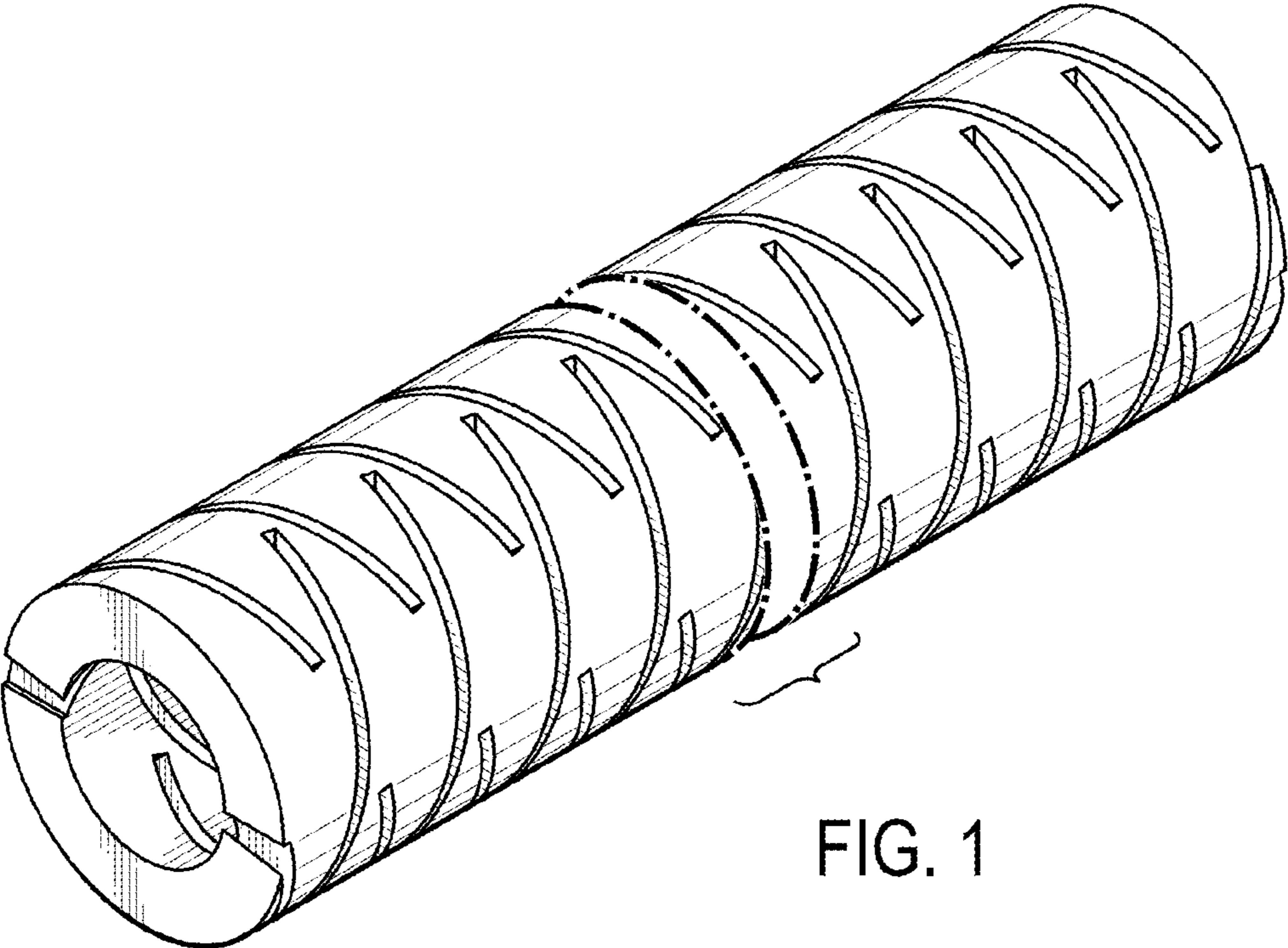


FIG. 1

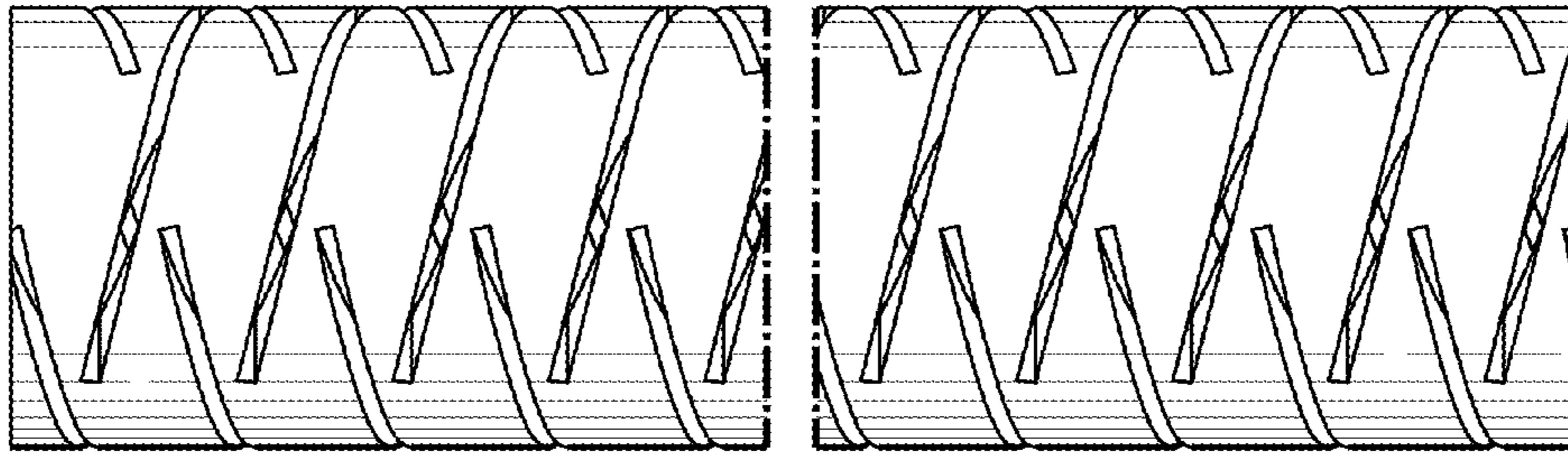


FIG. 2

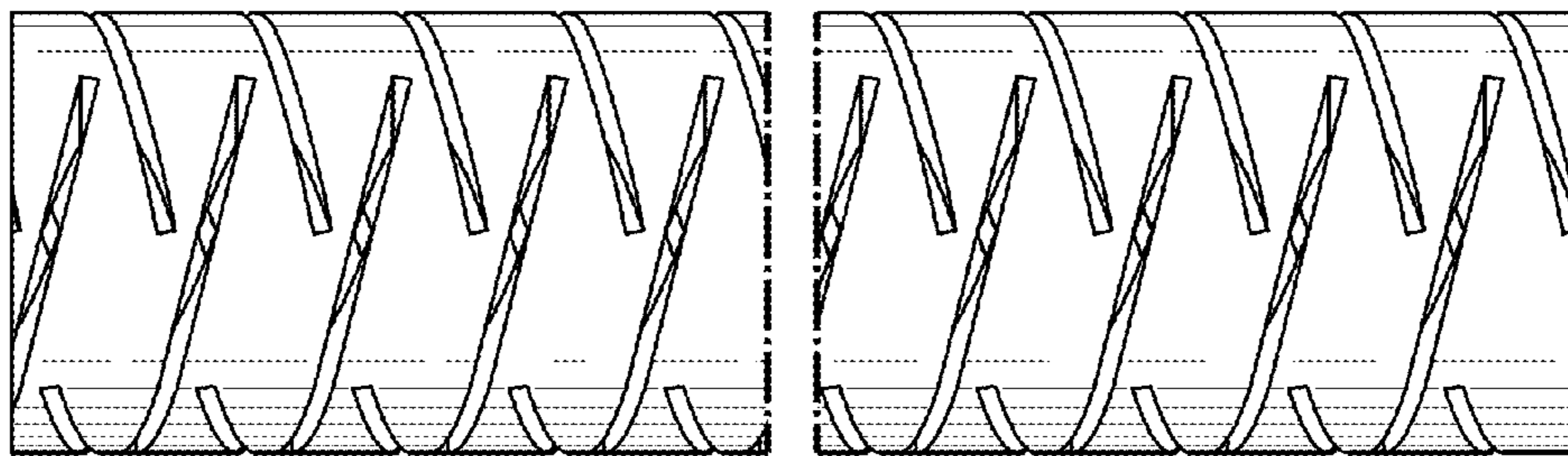


FIG. 3

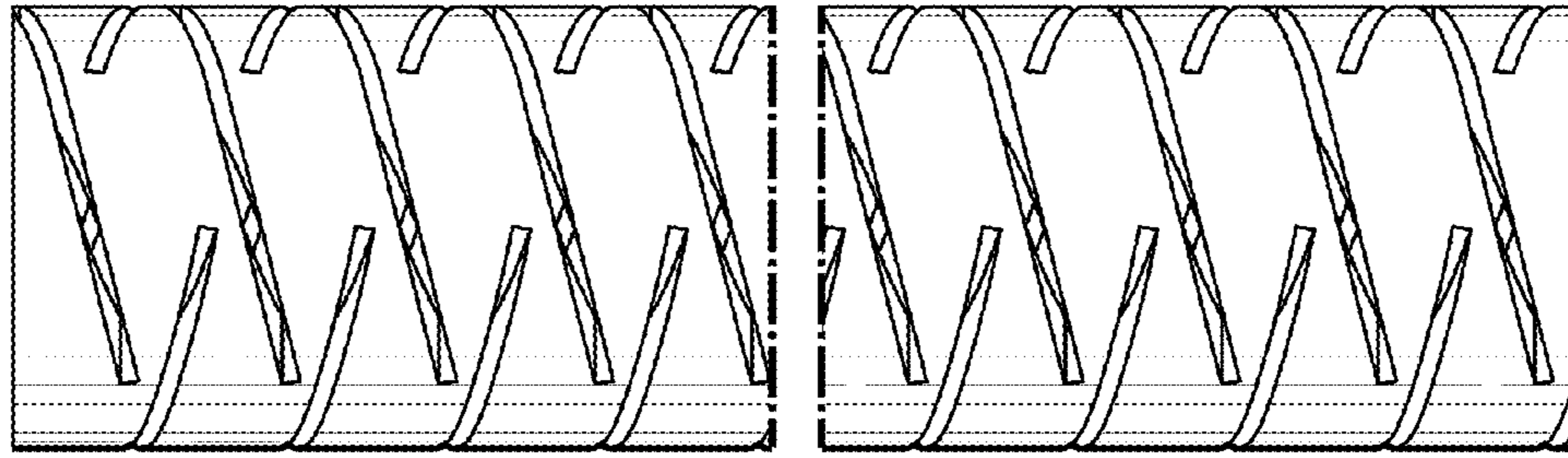


FIG. 4

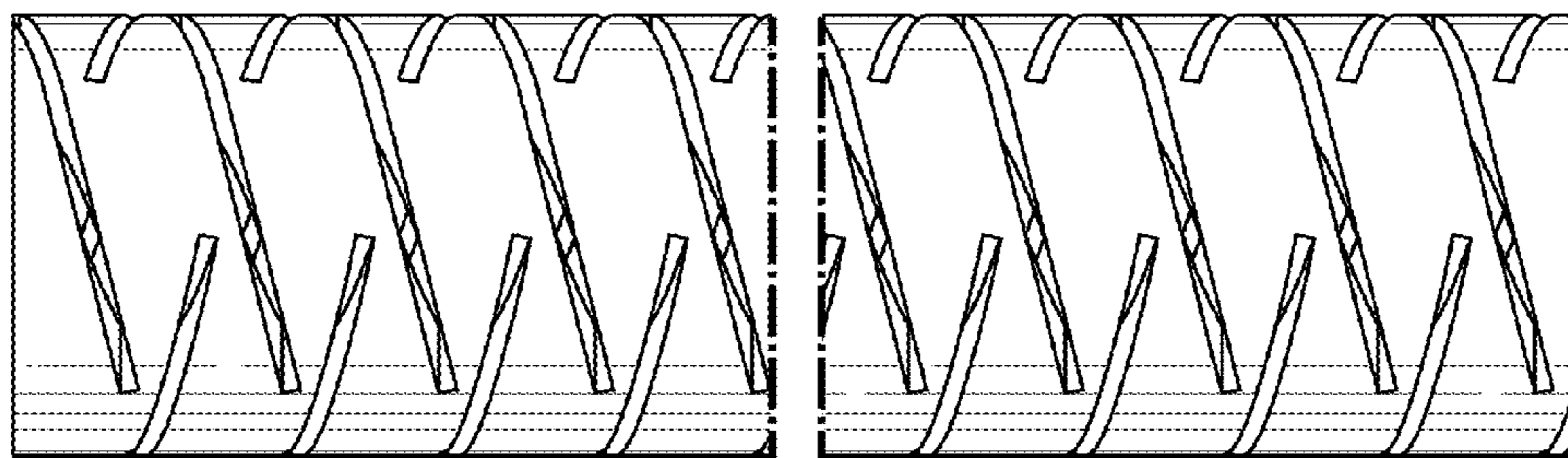


FIG. 5

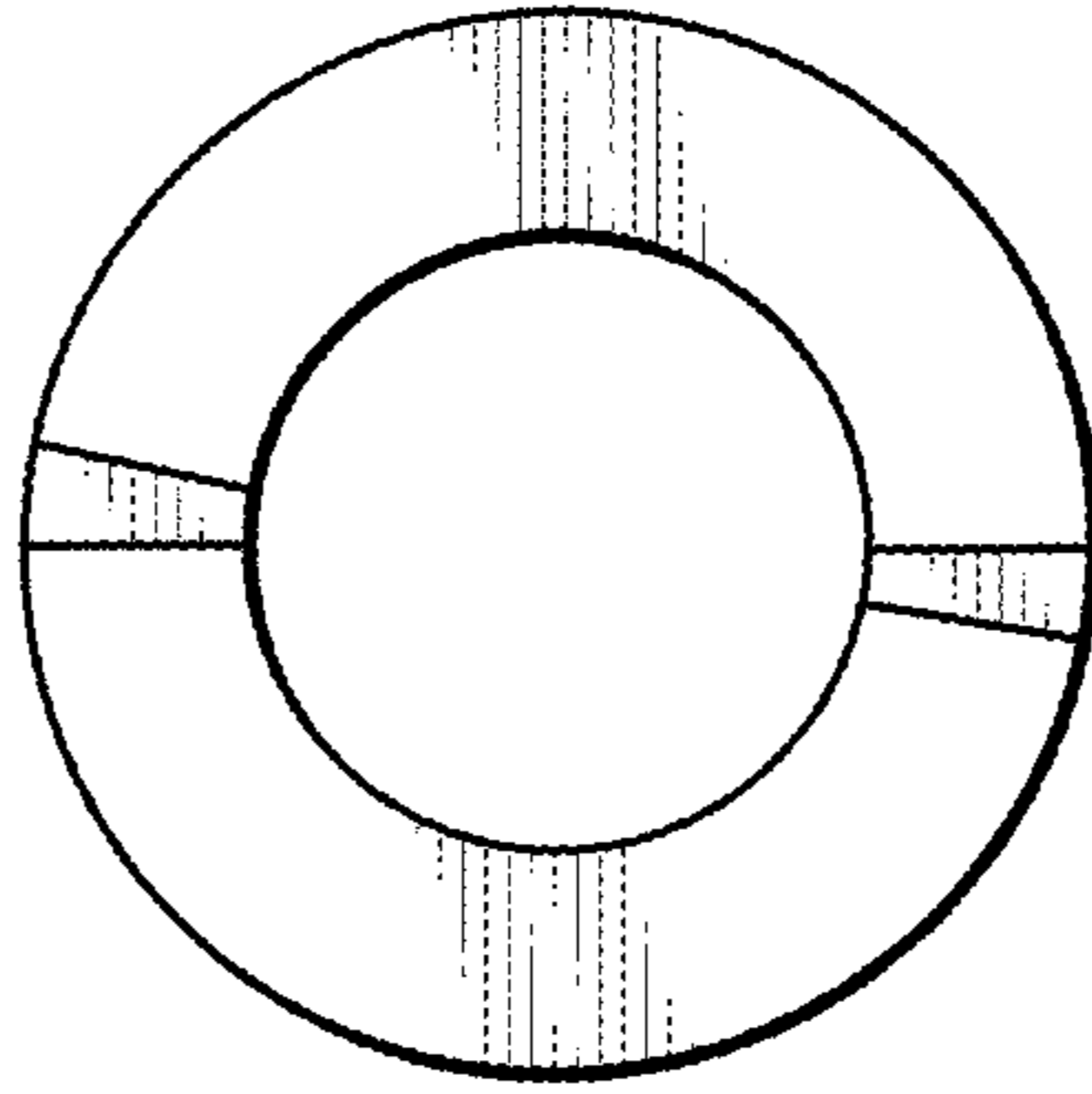


FIG. 6

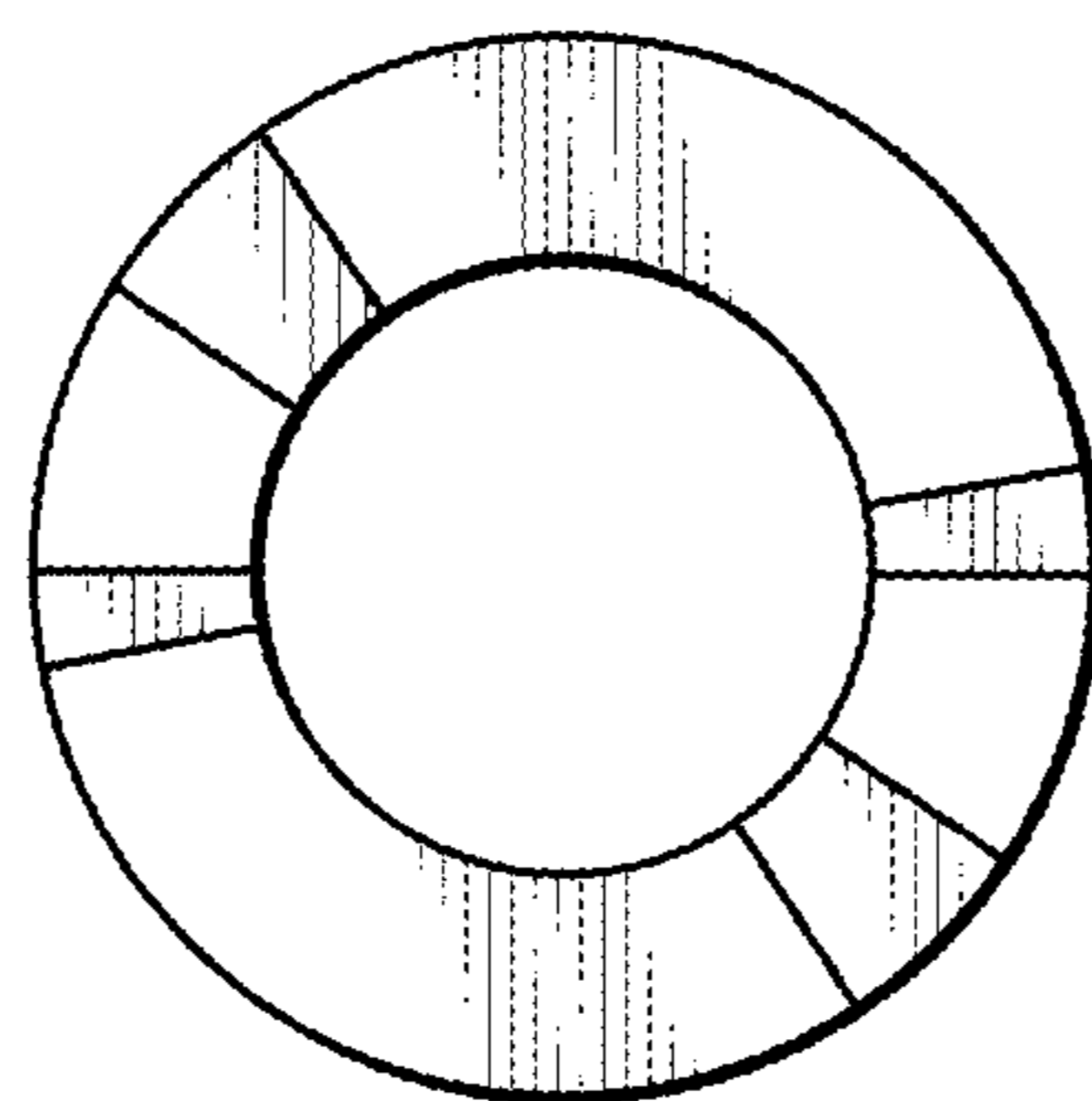


FIG. 7