



US00D743004S

(12) **United States Design Patent**
Knight

(10) **Patent No.:** **US D743,004 S**

(45) **Date of Patent:** **** Nov. 10, 2015**

(54) **TWO WAY DOUBLE BARREL CLEAN-OUT FITTING**

(71) Applicant: **Michael R. Knight**, Grand Prairie, TX (US)

(72) Inventor: **Michael R. Knight**, Grand Prairie, TX (US)

(**) Term: **14 Years**

(21) Appl. No.: **29/506,181**

(22) Filed: **Oct. 14, 2014**

(51) **LOC (10) Cl.** **23-01**

(52) **U.S. Cl.**
USPC **D23/259**

(58) **Field of Classification Search**
USPC D23/259-263, 266-269, 233; 251/215, 251/216; 285/369, 372, 373, 417, 133.11, 285/133.3, 133.21, 133.4, 133.5, 133.6; 137/247, 247.41, 247.51
CPC F16L 11/00; F16L 37/252; F16L 41/007; E03C 1/26; E03C 1/262; E03C 1/28; E03F 5/04; A61B 5/00; A61M 25/09016
See application file for complete search history.

(56) **References Cited**

U.S. PATENT DOCUMENTS

788,803	A *	5/1905	Walker	E03C 1/122 285/125.1
884,326	A *	4/1908	Emery	F01P 3/02 122/511
2,065,523	A *	12/1936	Groeniger	E03C 1/122 138/37
2,078,879	A *	4/1937	Kaiser	E03C 1/122 285/129.1
2,166,078	A *	7/1939	Stephenson	F16L 13/08 285/132.1
2,237,672	A *	4/1941	Kennedy	E03C 1/122 285/129.1

2,476,908	A *	7/1949	Radcliffe	E03C 1/122 138/39
2,567,165	A *	9/1951	Buskirk	E03C 1/122 285/125.1
3,154,063	A *	10/1964	White	F41B 3/02 124/20.2
3,381,318	A *	5/1968	Luijt	E03C 1/122 285/179
3,495,281	A *	2/1970	Palowsky	E03C 1/122 285/129.1
4,474,392	A *	10/1984	Vassallo	F16L 37/084 285/347
4,506,918	A *	3/1985	Friedrich	F16L 47/32 285/133.5
D304,486	S *	11/1989	Elder	D23/233
D330,584	S *	10/1992	Snoke	D23/263
5,415,438	A *	5/1995	Kojima	F16L 41/103 285/125.1
D413,648	S *	9/1999	Simpson	D22/147
D462,751	S *	9/2002	Streetman	D23/234
6,588,803	B2 *	7/2003	Vila	F16L 43/008 285/125.1
D507,817	S *	7/2005	Mitchell	D22/147
D599,446	S *	9/2009	Price	D23/262
D599,877	S *	9/2009	Battin, Jr.	D22/147
D647,598	S *	10/2011	Matusche	D23/233

* cited by examiner

Primary Examiner — Sandra Snapp
(74) *Attorney, Agent, or Firm* — Craig Hoersten

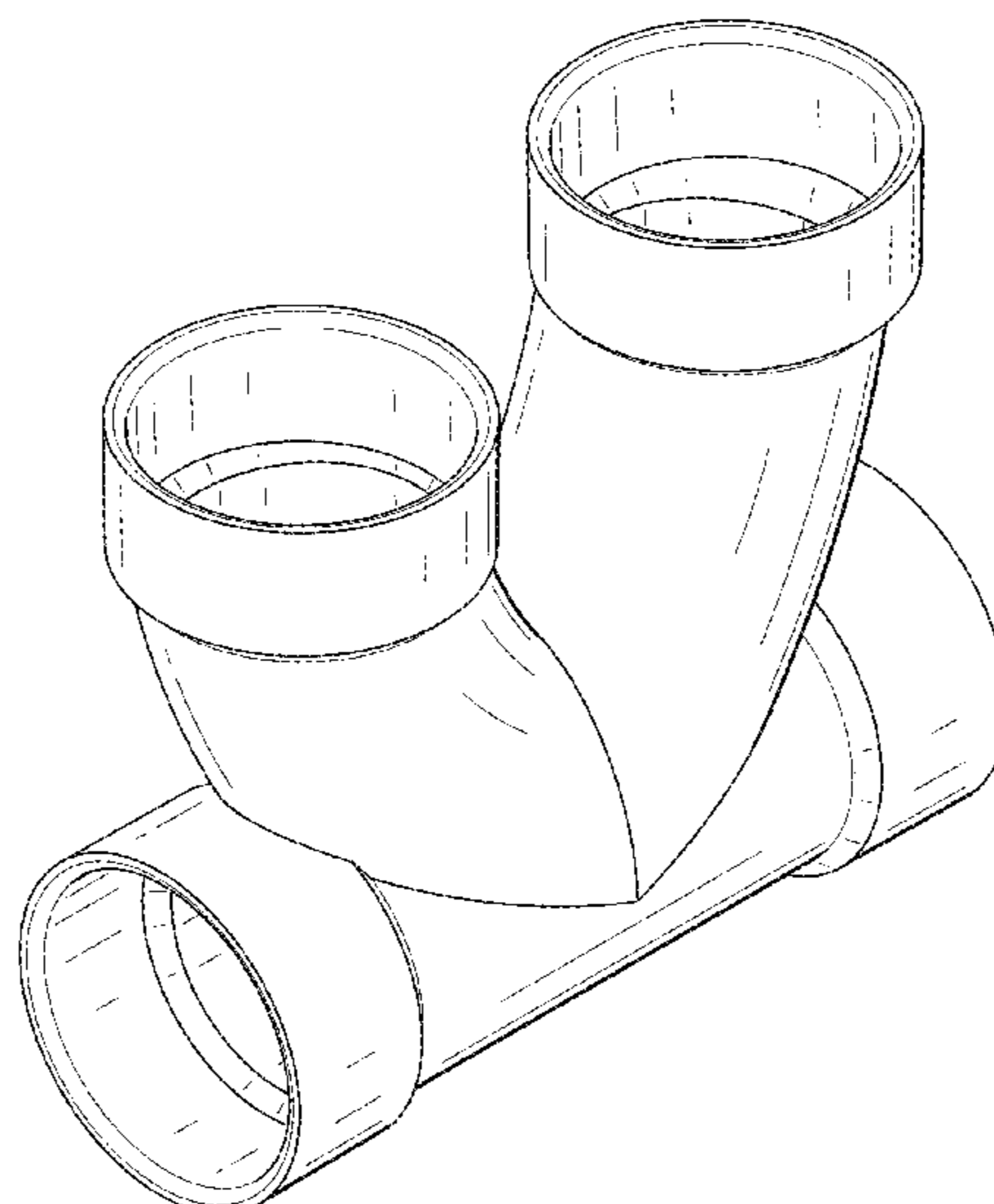
(57) **CLAIM**

The ornamental design for a two way double barrel clean-out fitting, as shown and described.

DESCRIPTION

FIG. 1 is a perspective view of the present invention;
FIG. 2 is a front view of the present invention;
FIG. 3 is a rear view of the present invention;
FIG. 4 is a right end view of the present invention;
FIG. 5 is a left end view of the present invention;
FIG. 6 is a top view of the present invention; and,
FIG. 7 is a bottom view of the present invention.

1 Claim, 5 Drawing Sheets



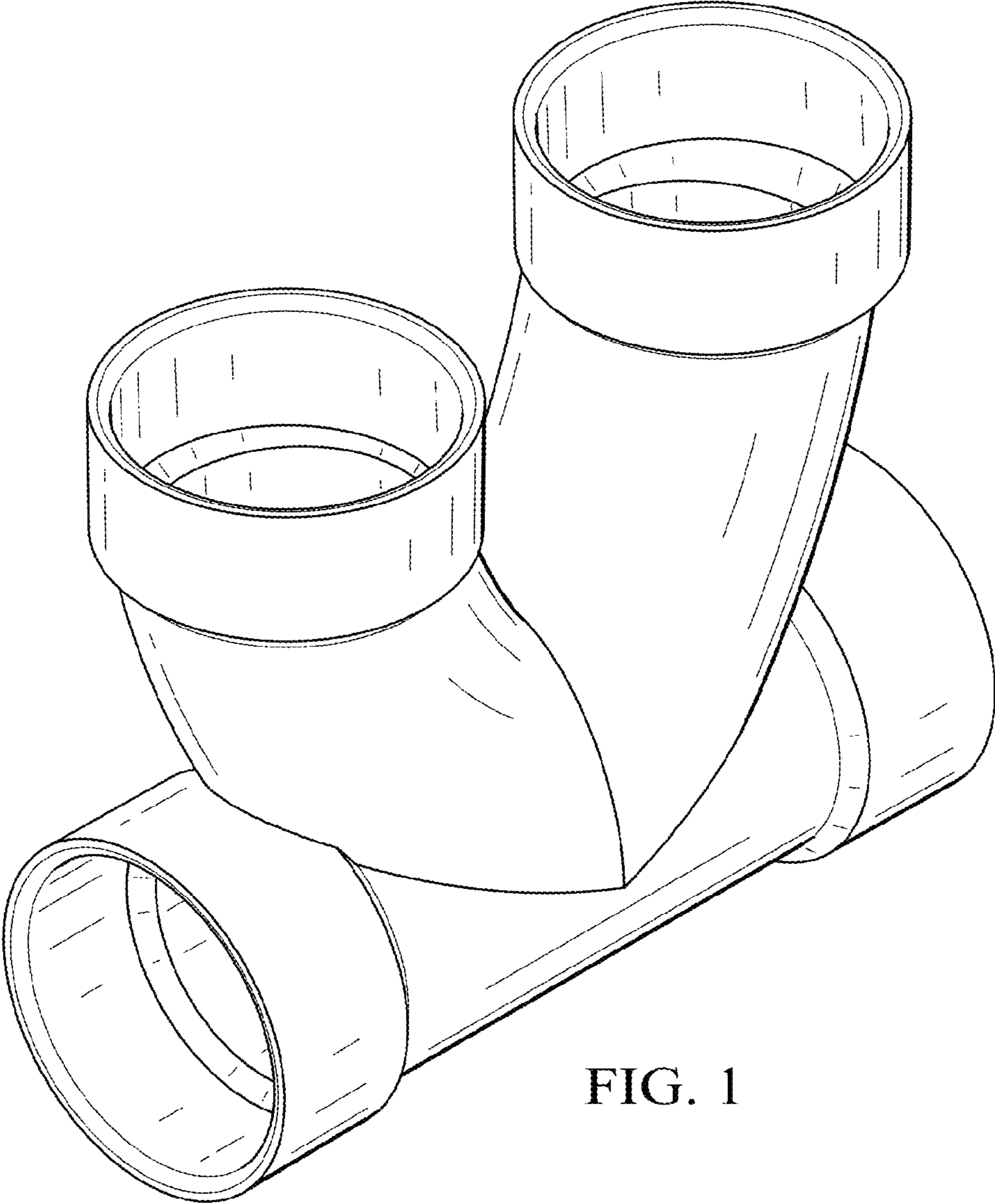


FIG. 1

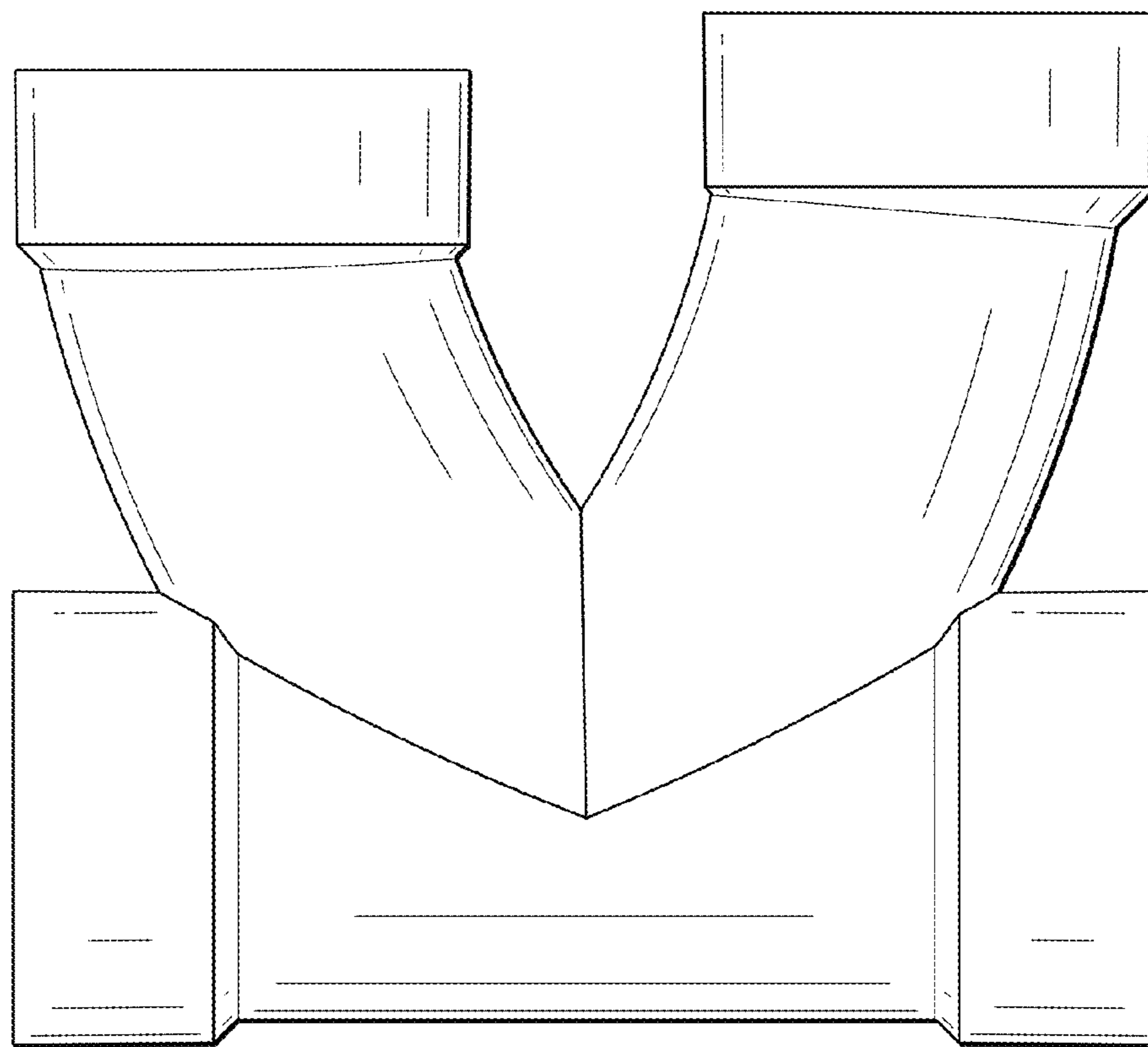


FIG. 2

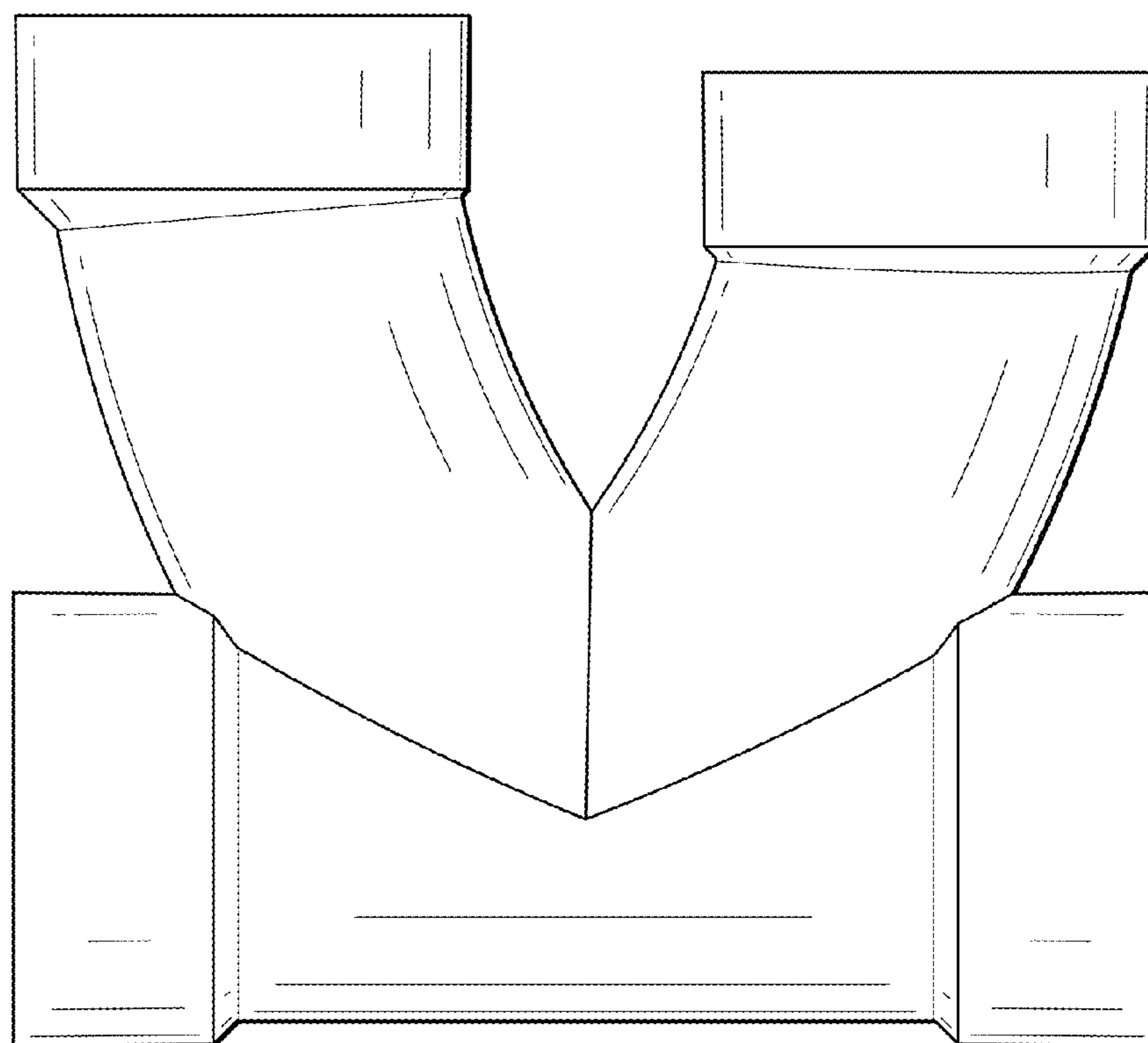


FIG. 3

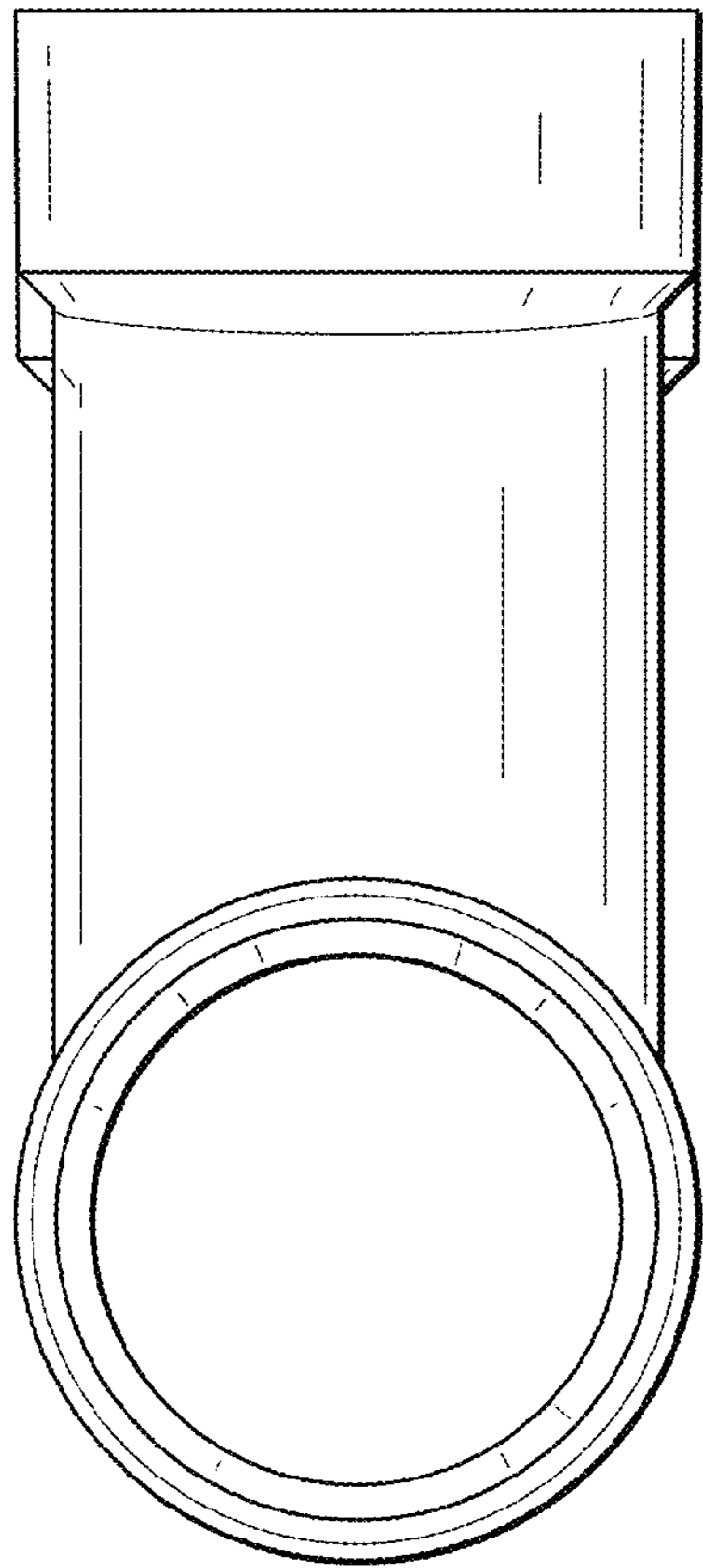


FIG. 4

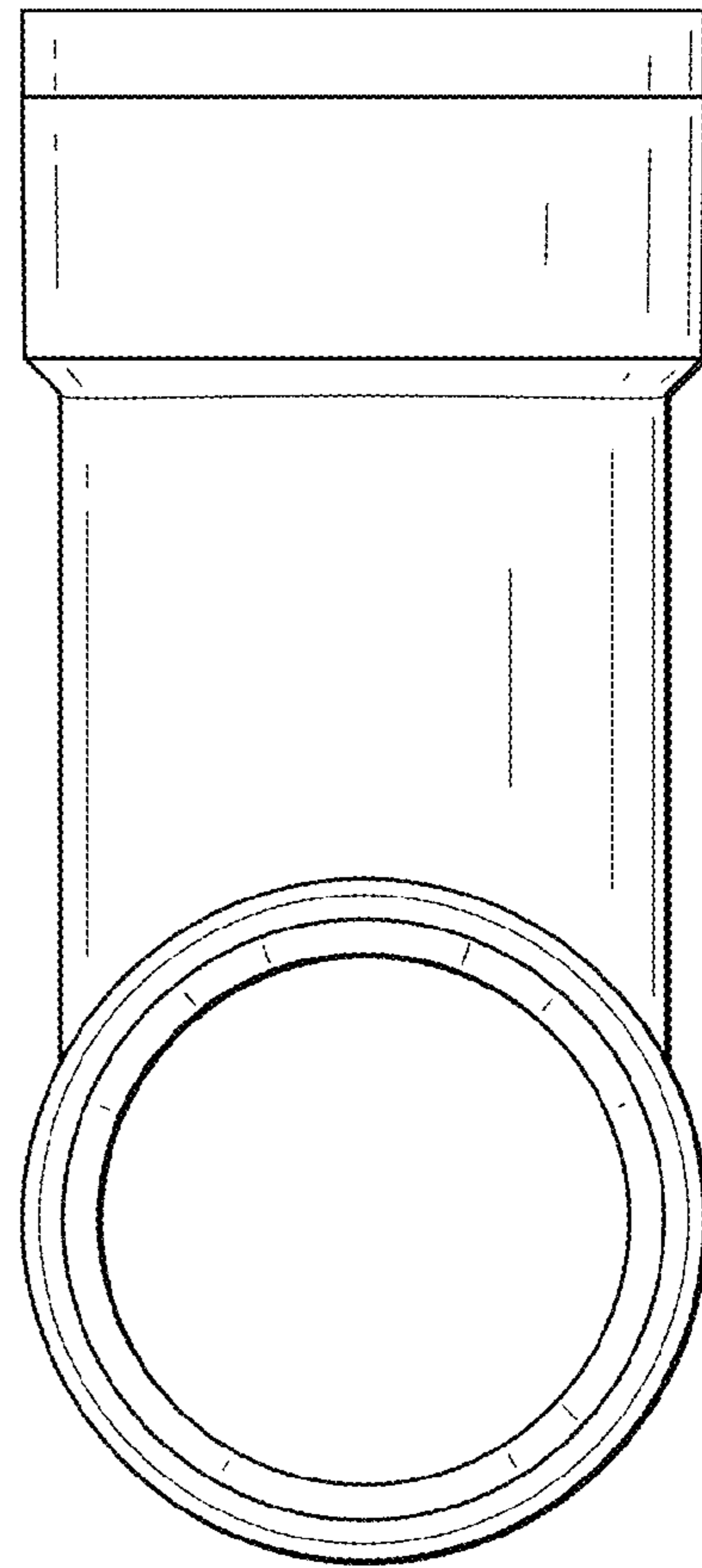


FIG. 5

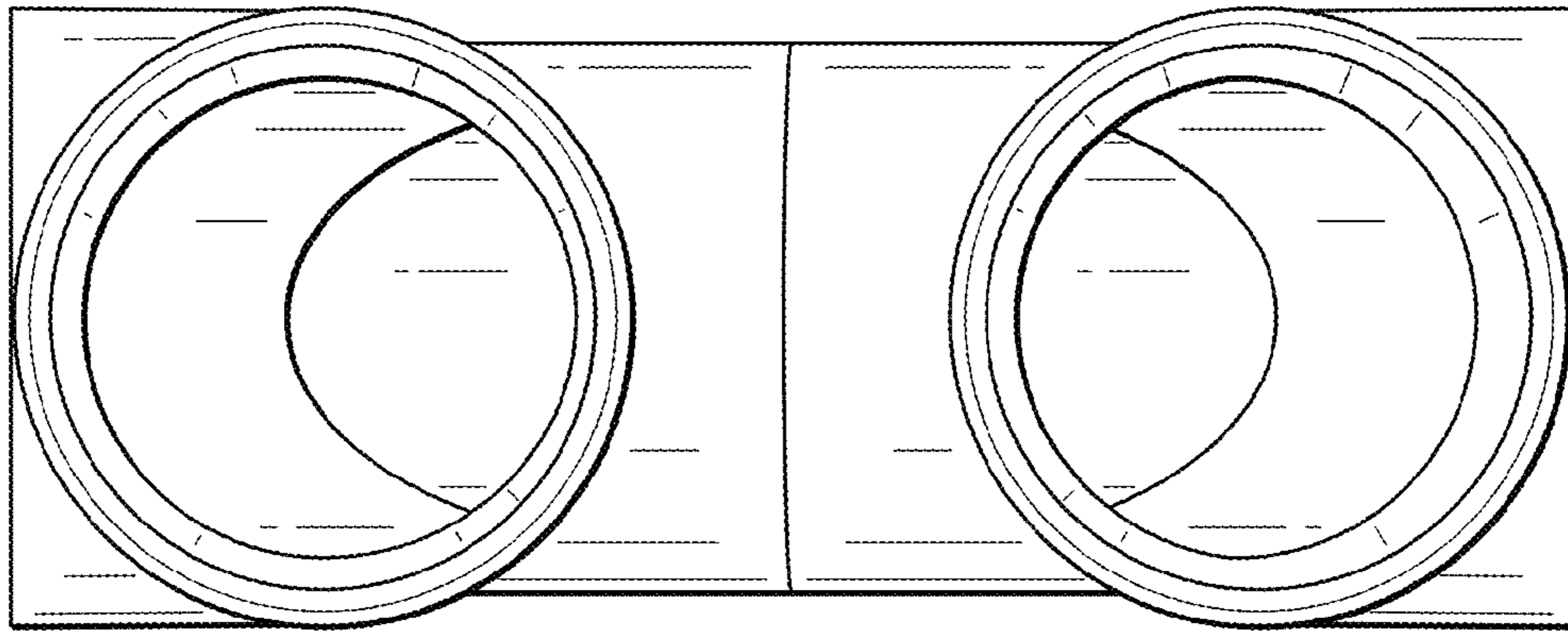


FIG. 6

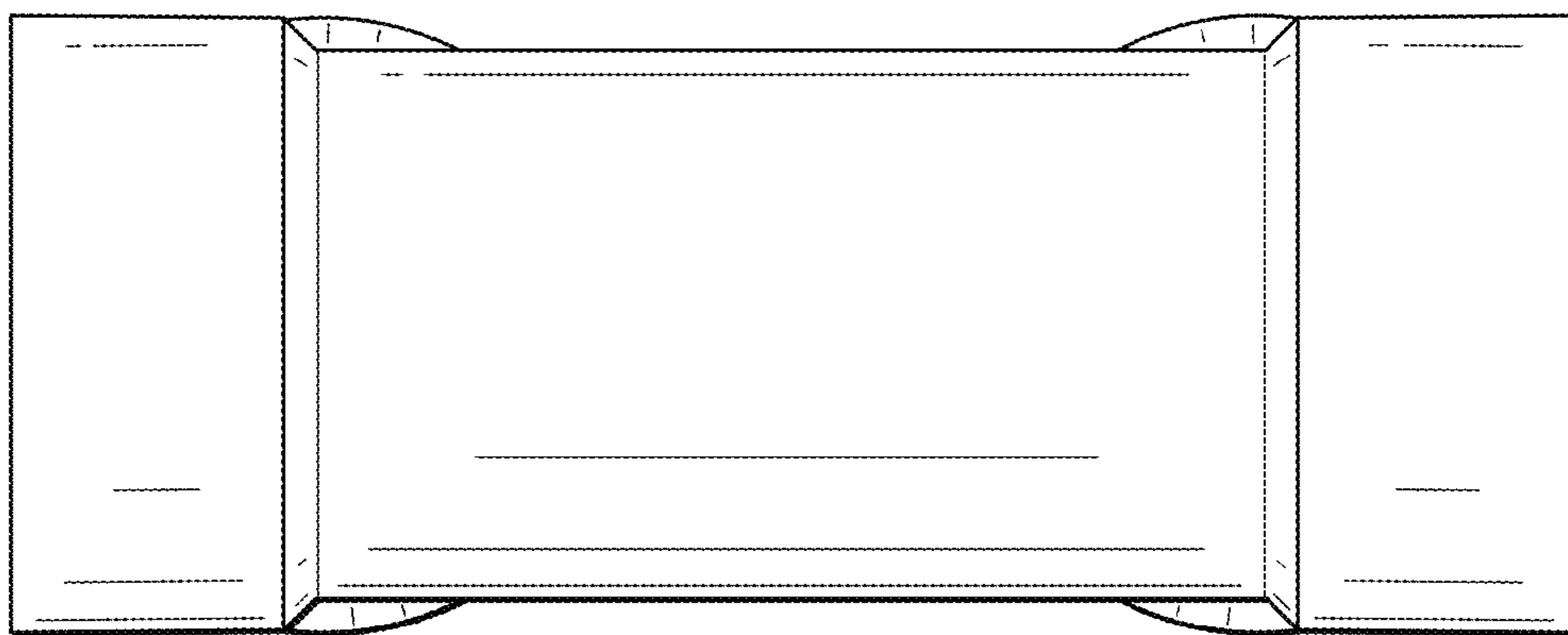


FIG. 7