



US00D743003S

(12) **United States Design Patent**
Shieh

(10) **Patent No.:** **US D743,003 S**

(45) **Date of Patent:** **** Nov. 10, 2015**

(54) **FAUCET**

(56) **References Cited**

(71) Applicant: **HORNG LAI INDUSTRIAL CO., LTD.**, Chang Hua Hsien (TW)

(72) Inventor: **Ming-Dang Shieh**, Chang Hua Hsien (TW)

(73) Assignee: **Horng Lai Industrial Co., Ltd.**, Chang Hua Hsien (TW)

(**) Term: **14 Years**

(21) Appl. No.: **29/511,644**

(22) Filed: **Dec. 12, 2014**

(51) **LOC (10) Cl.** **23-01**

(52) **U.S. Cl.**
USPC **D23/241**

(58) **Field of Classification Search**
USPC D23/238-243, 249, 253, 255, 257
CPC E03C 1/04; E03C 1/0401; E03C 1/0402;
E03C 1/0404

See application file for complete search history.

U.S. PATENT DOCUMENTS

D68,867 S *	11/1925	MacKay	D23/240
D342,119 S *	12/1993	Shieh	D23/241
D487,585 S *	3/2004	Shieh	D23/241
D512,127 S *	11/2005	Egee	D23/241
D585,113 S *	1/2009	Friedrich	D23/241
D646,365 S *	10/2011	Parekh	D23/290
D693,439 S *	11/2013	Shieh	D23/241

* cited by examiner

Primary Examiner — Robert Delehanty

(74) *Attorney, Agent, or Firm* — Alan D. Kamrath; Kamrath IP Lawfirm, P.A.

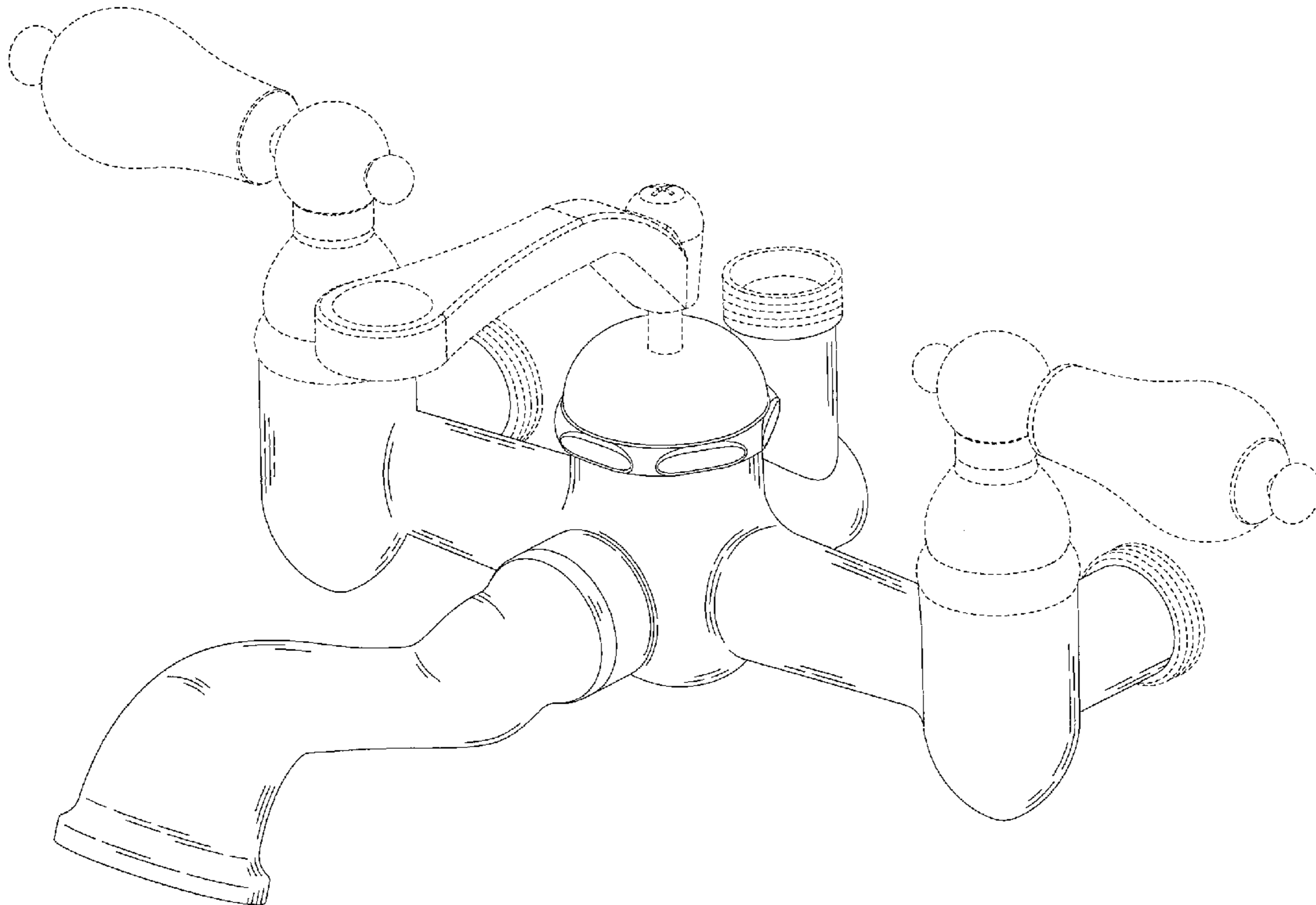
(57) **CLAIM**

The ornamental design for a faucet, as shown and described.

DESCRIPTION

FIG. 1 is a perspective view of a faucet showing my design; FIG. 2 is a front elevational view thereof; FIG. 3 is a rear elevational view thereof; FIG. 4 is a left side elevational view thereof; FIG. 5 is a right side elevational view thereof; FIG. 6 is a top plan view thereof; and, FIG. 7 is a bottom plan view thereof. The broken lines shown in the drawings are included for the purpose of illustrating a portion of the faucet that forms no part of the claimed design.

1 Claim, 7 Drawing Sheets



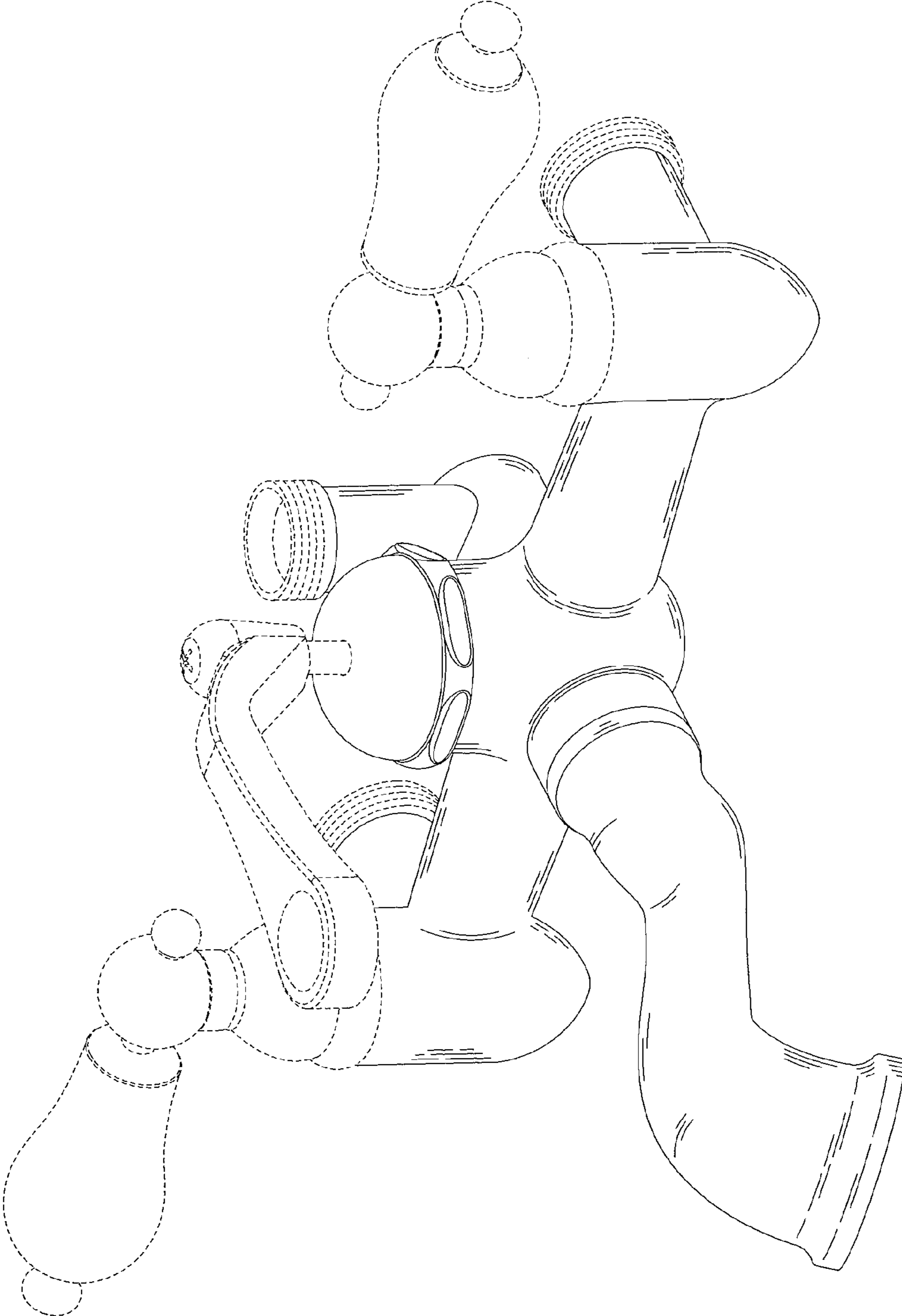


FIG. 1

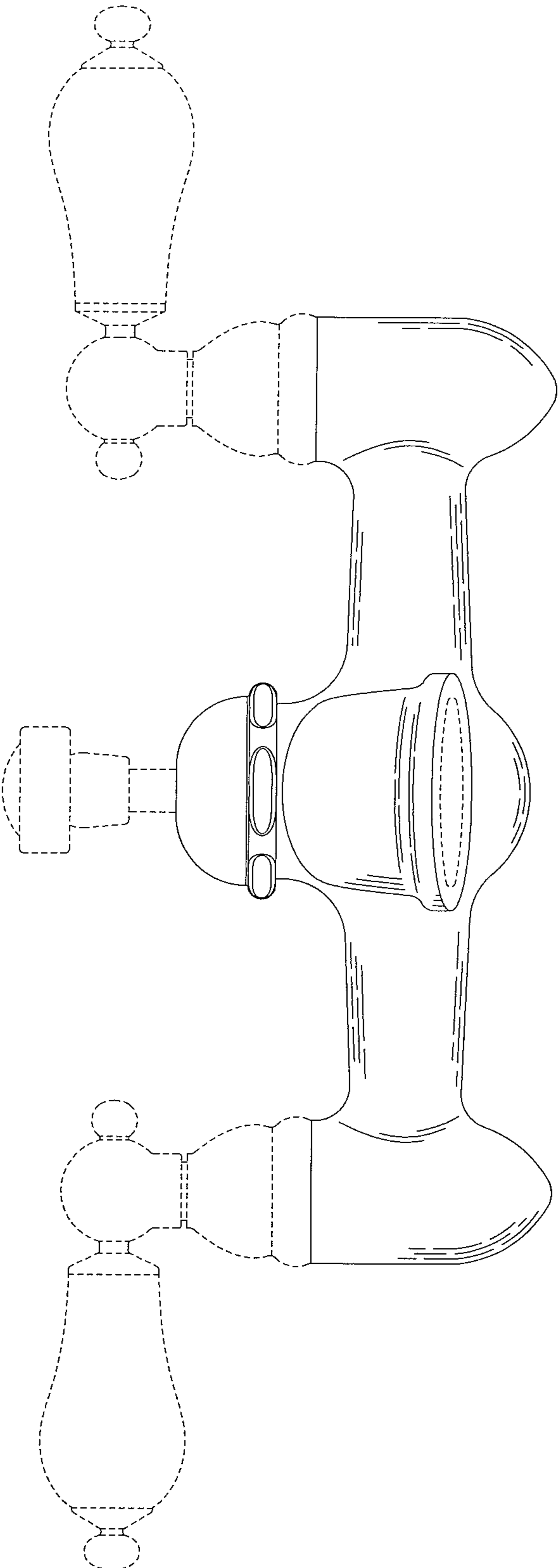


FIG. 2

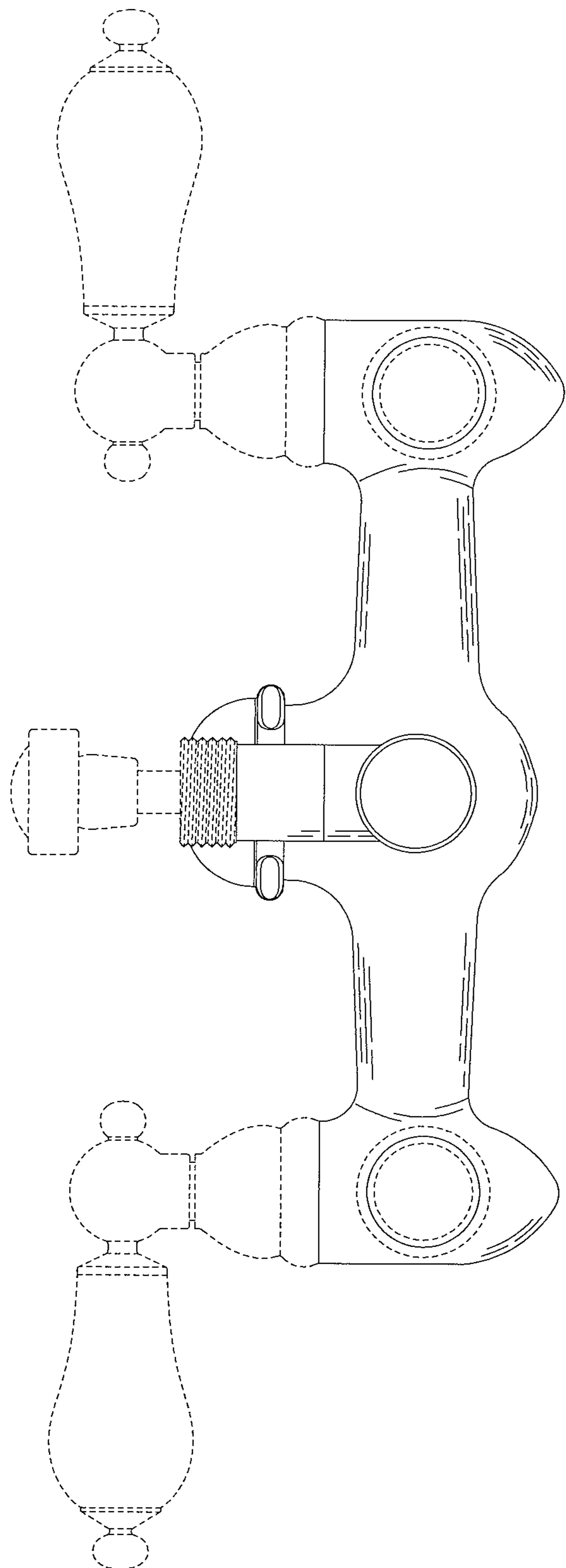


FIG. 3

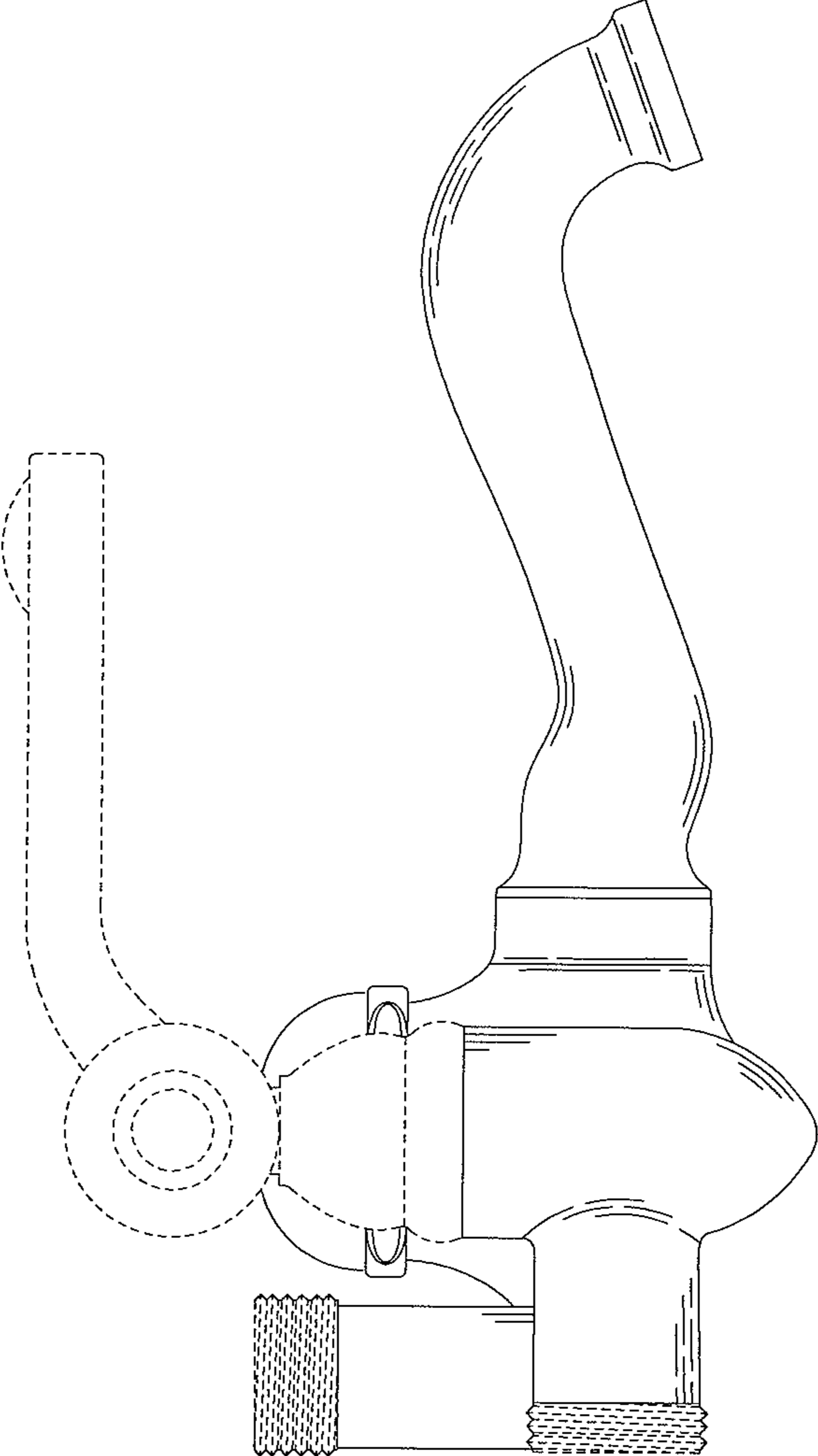


FIG. 4

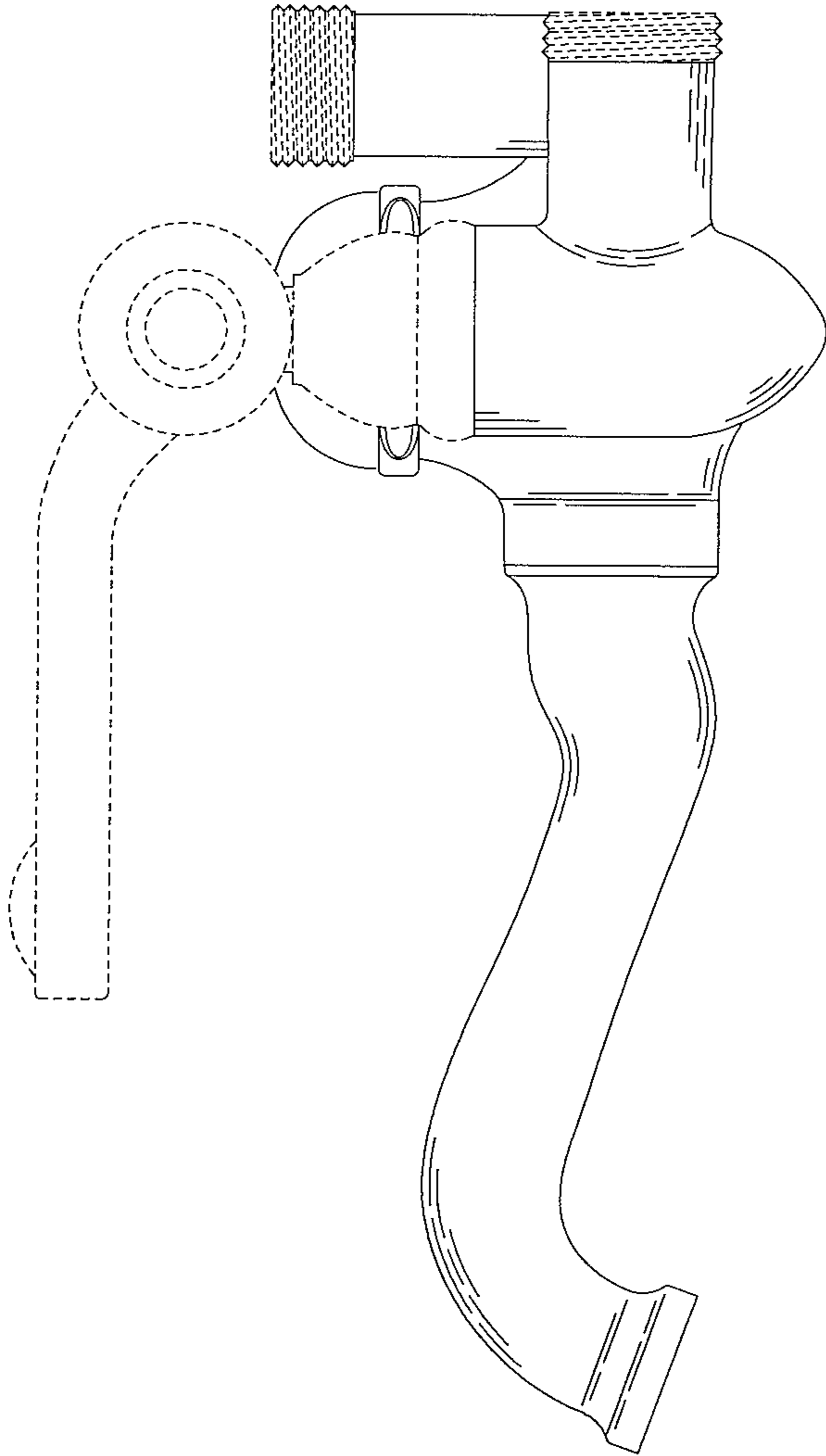


FIG. 5

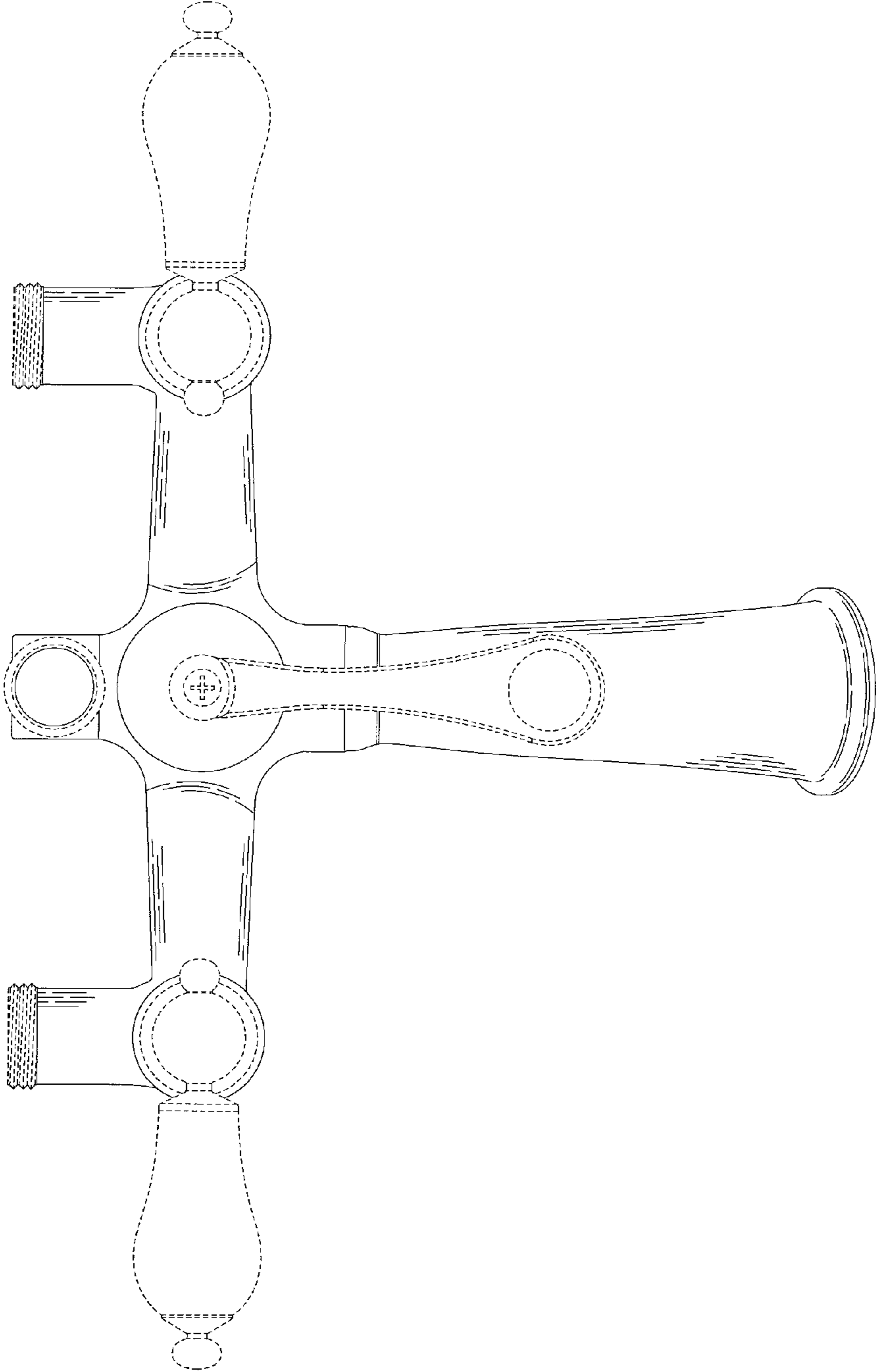


FIG. 6

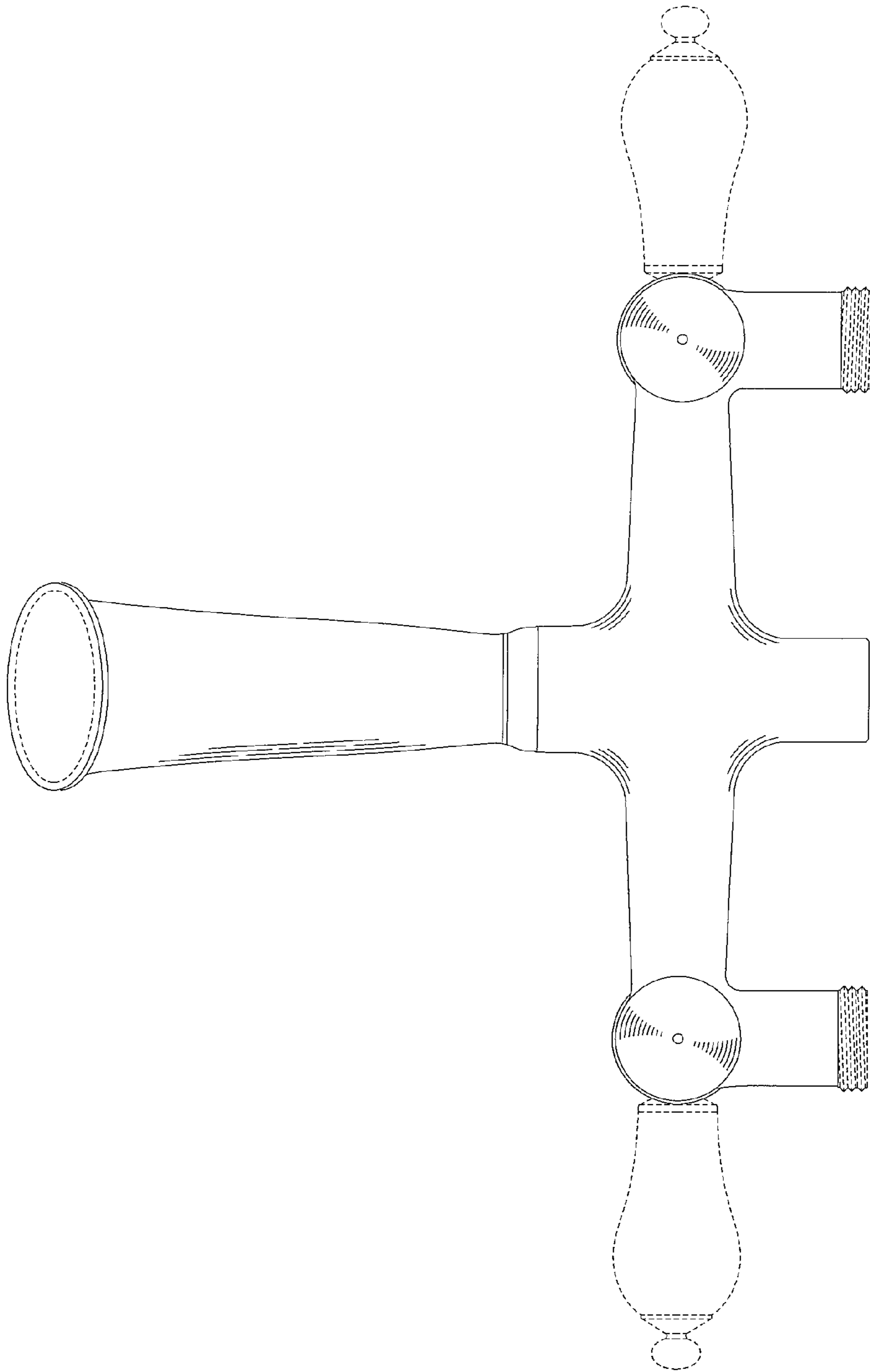


FIG. 7