



US00D743001S

(12) **United States Design Patent**
Moya et al.

(10) **Patent No.:** **US D743,001 S**

(45) **Date of Patent:** **** Nov. 10, 2015**

(54) **SPRAYER BOTTLE**

(71) Applicant: **The Fountainhead Group, Inc.**, New York Mills, NY (US)

(72) Inventors: **Joseph Moya**, Johnstown, OH (US);
Greg Thune, Westerville, OH (US);
Adam Jonovski, New Albany, OH (US);
Marcus Hamilton, Columbus, OH (US)

(73) Assignee: **The Fountainhead Group, Inc.**, New York Mills, NY (US)

(**) Term: **14 Years**

(21) Appl. No.: **29/506,397**

(22) Filed: **Oct. 15, 2014**

(51) **LOC (10) Cl.** **23-01**

(52) **U.S. Cl.**
USPC **D23/225**

(58) **Field of Classification Search**
USPC D23/202, 213, 225, 226; 222/383.1,
222/372, 465.1, 137; 239/302, 308, 316,
239/332-3, 337, 373; D8/1, 2
CPC A62C 15/00; B05B 9/08; B05B 9/04
See application file for complete search history.

(56) **References Cited**

U.S. PATENT DOCUMENTS

D235,544 S * 6/1975 Bippus et al. D23/225
D432,372 S * 10/2000 Iacofano et al. D8/2
D543,607 S * 5/2007 Meyhoefer D23/225
8,267,331 B2 * 9/2012 Seabase et al. 239/332

* cited by examiner

Primary Examiner — Robin V Webster

(74) *Attorney, Agent, or Firm* — George R. McGuire; Bond Schoeneck & King, PLLC

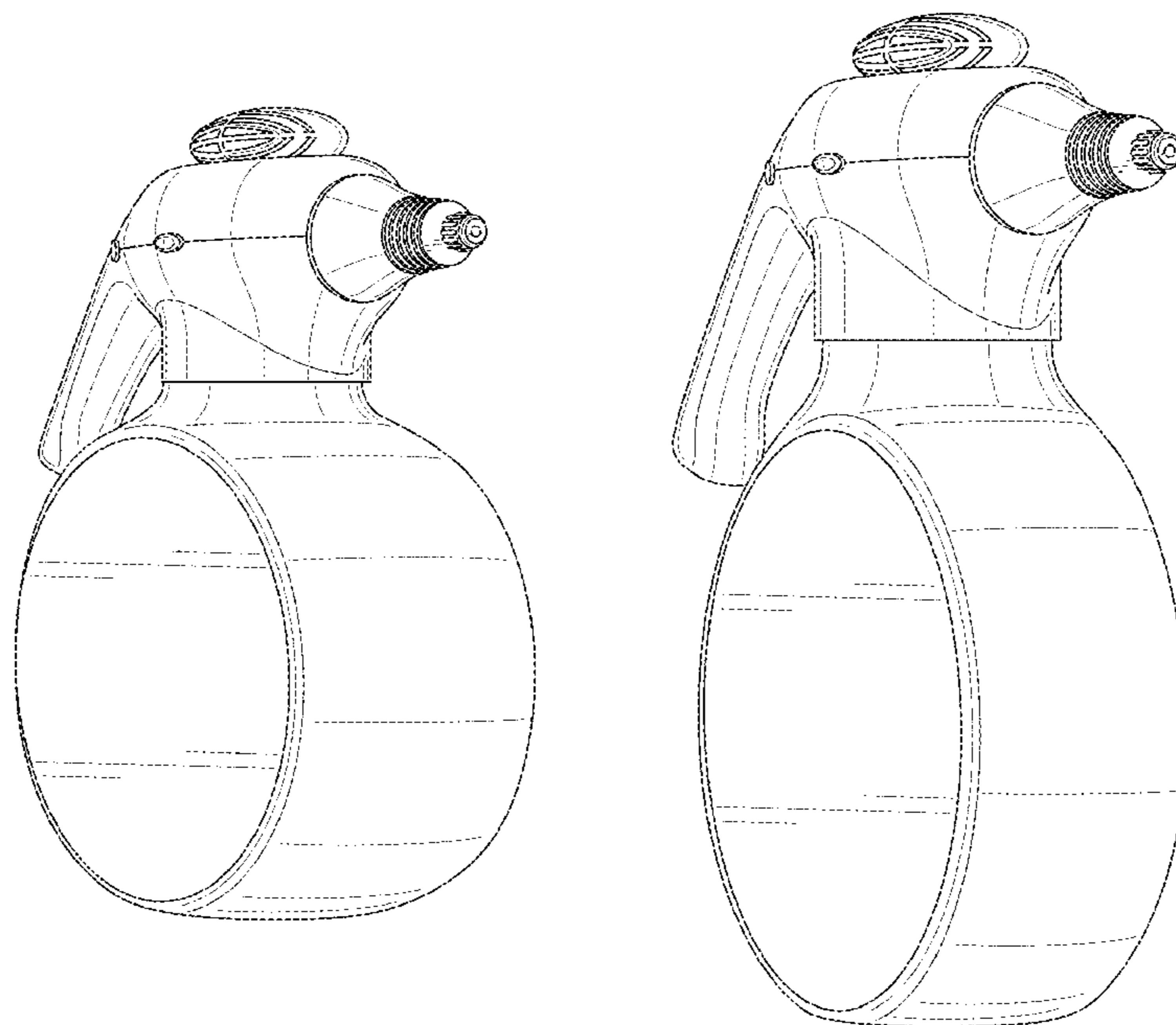
(57) **CLAIM**

The ornamental design for a sprayer bottle, as shown and described.

DESCRIPTION

FIG. 1 is a perspective view of a first embodiment of a new and ornamental sprayer bottle;
FIG. 2 is a front elevation view thereof;
FIG. 3 is a rear elevation view thereof;
FIG. 4 is a first side elevation view thereof;
FIG. 5 is a second side elevation view thereof;
FIG. 6 is a top plan view thereof;
FIG. 7 is a bottom plan view thereof;
FIG. 8 is a perspective view of a second embodiment of a new and ornamental sprayer bottle;
FIG. 9 is a front elevation view thereof;
FIG. 10 is a rear elevation view thereof;
FIG. 11 is a first side elevation view thereof;
FIG. 12 is a second side elevation view thereof;
FIG. 13 is a top plan view thereof;
FIG. 14 is a bottom plan view thereof;
FIG. 15 is a perspective view of a third embodiment of a new and ornamental sprayer bottle;
FIG. 16 is a front elevation view thereof;
FIG. 17 is a rear elevation view thereof;
FIG. 18 is a first side elevation view thereof;
FIG. 19 is a second side elevation view thereof;
FIG. 20 is a top plan view thereof; and,
FIG. 21 is a bottom plan view thereof.

1 Claim, 21 Drawing Sheets



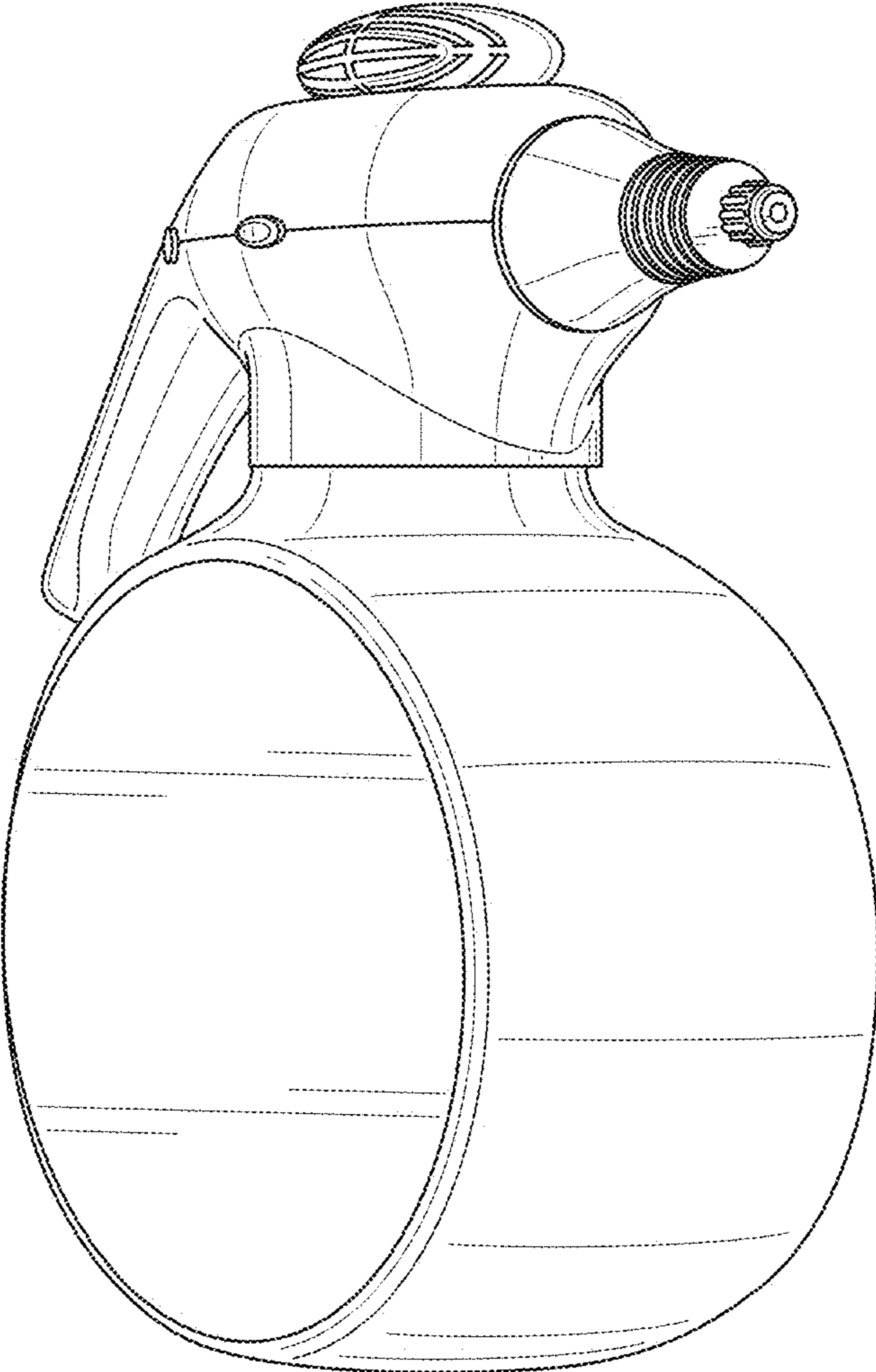


FIG. 1

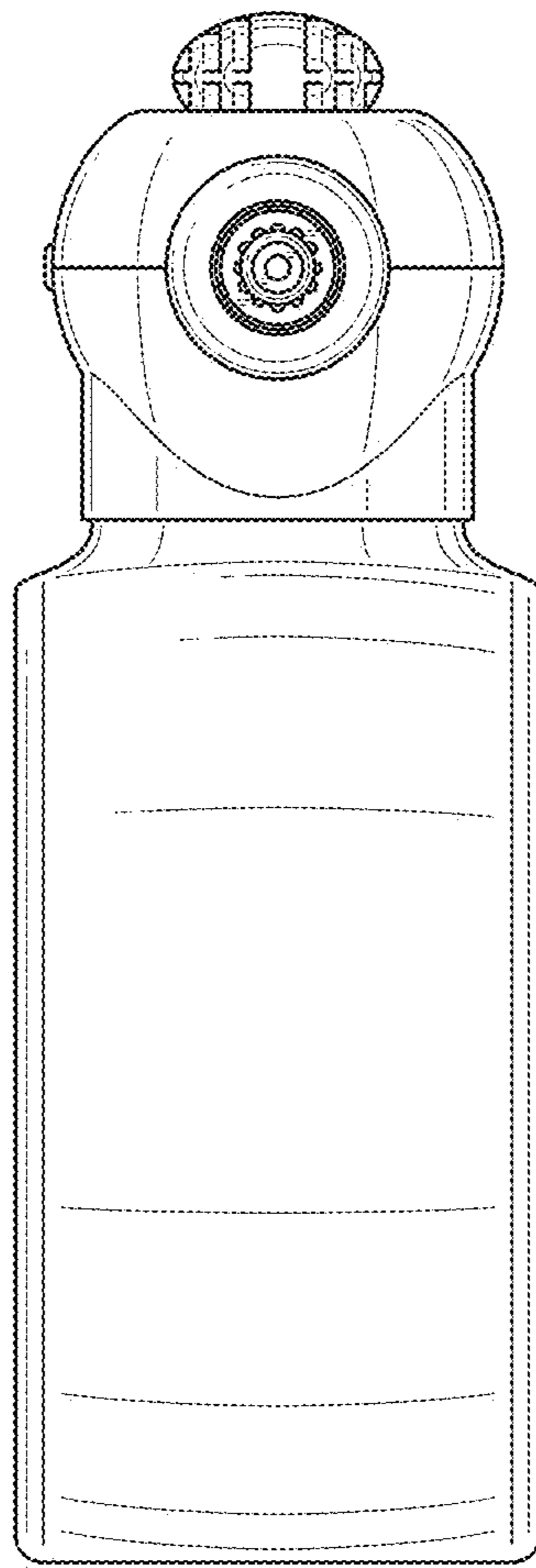


FIG. 2

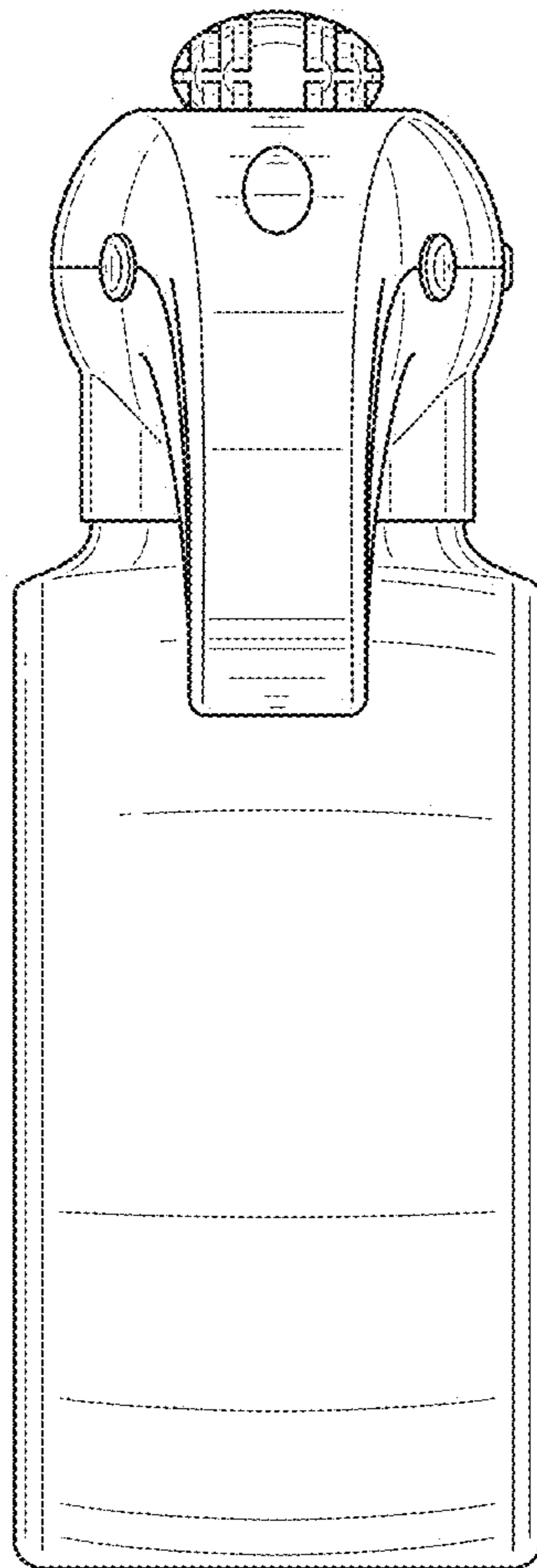


FIG. 3

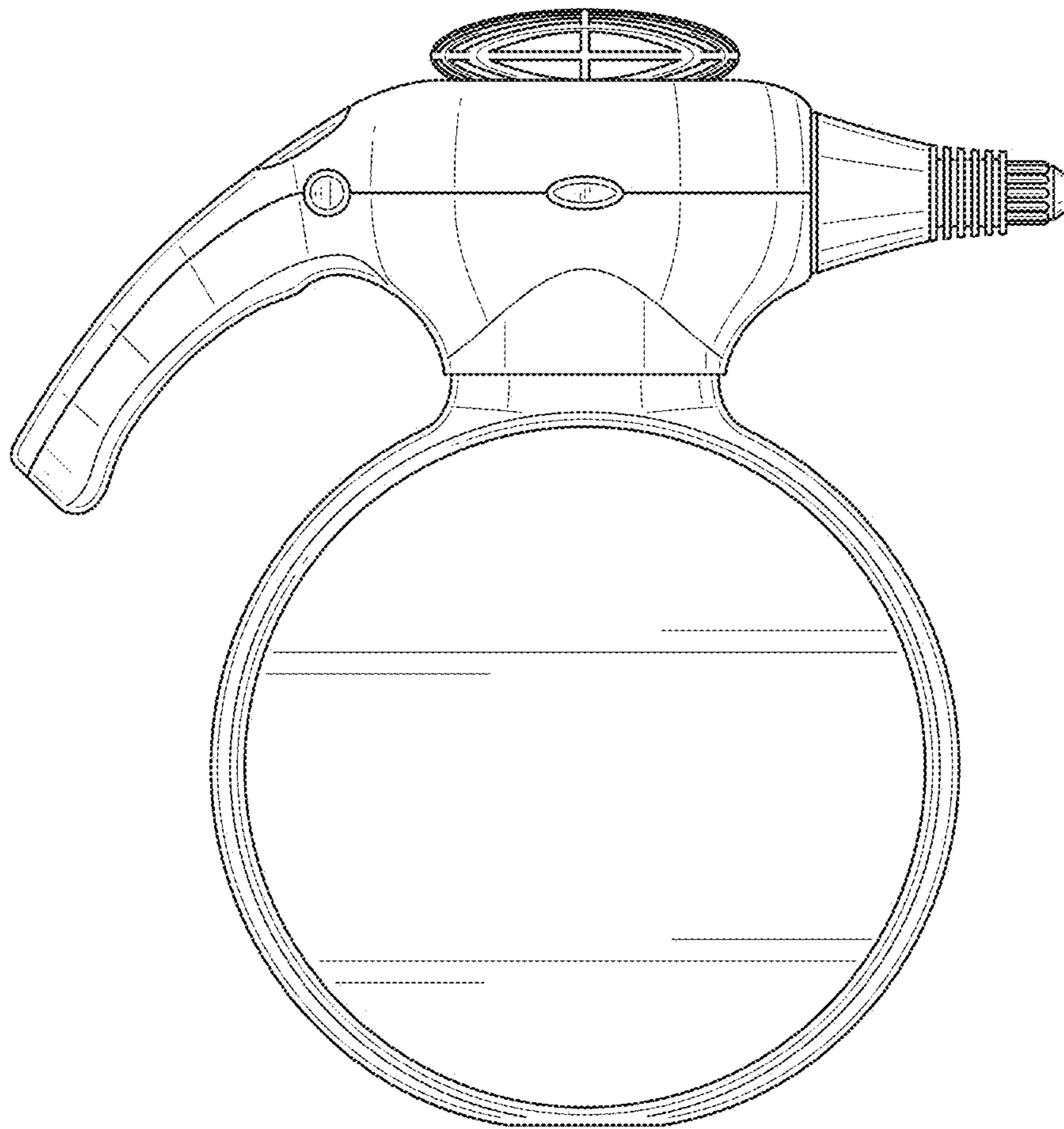


FIG. 4

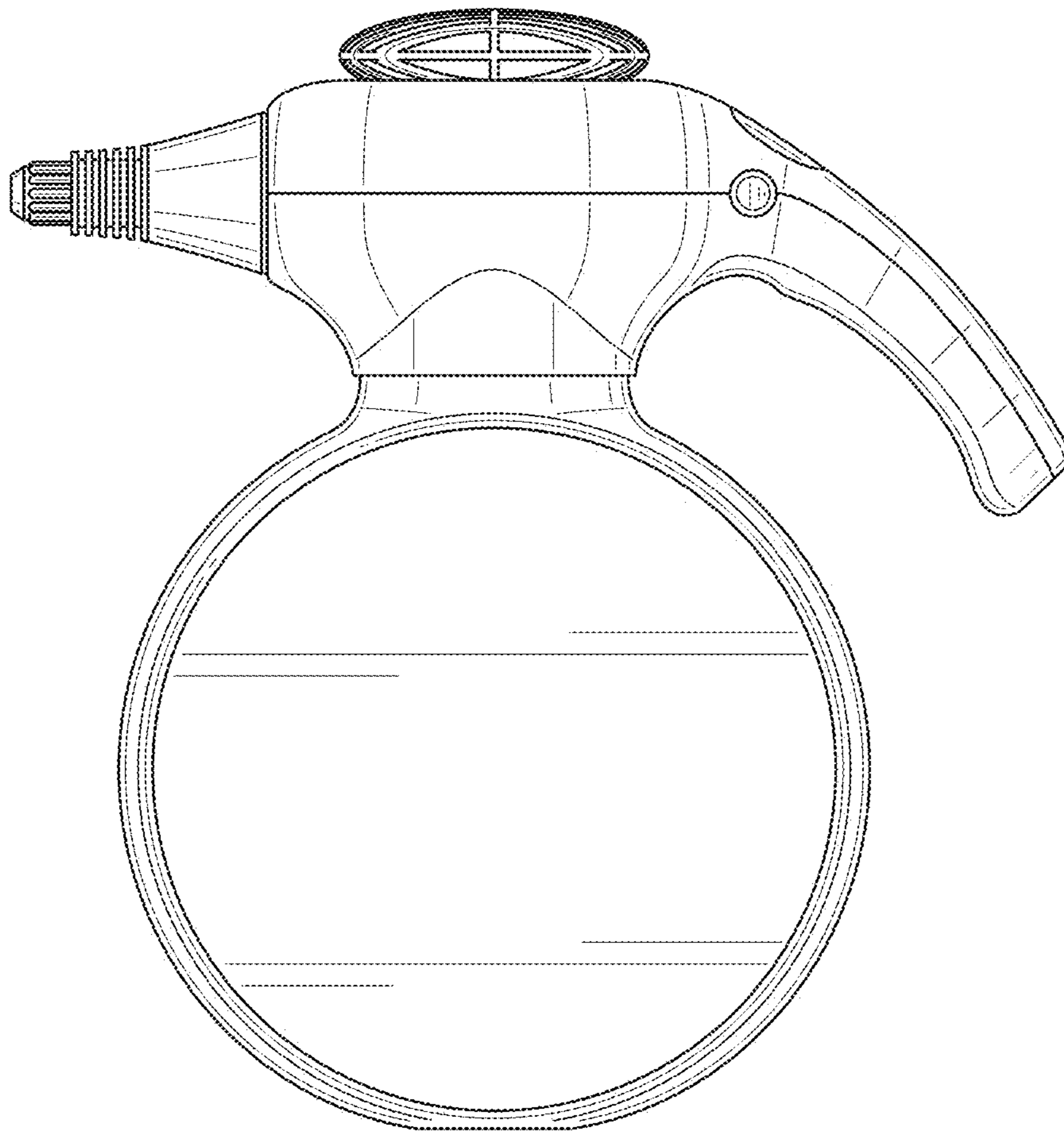


FIG. 5

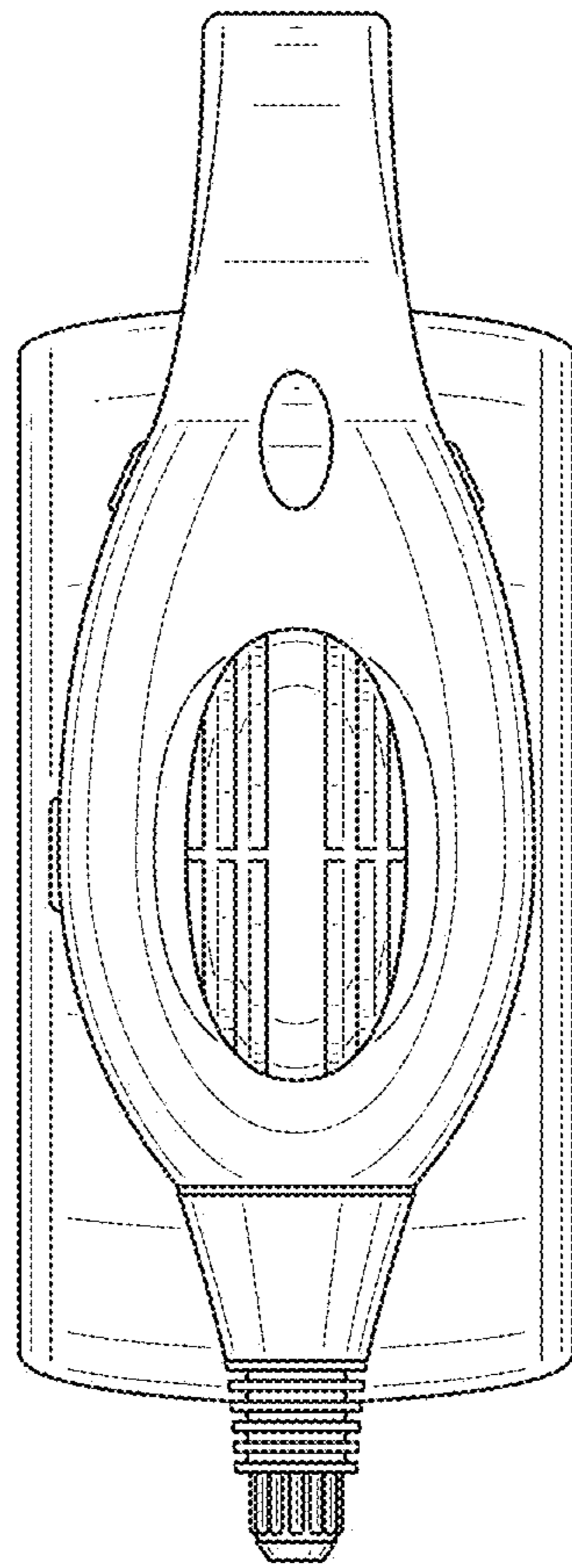


FIG. 6

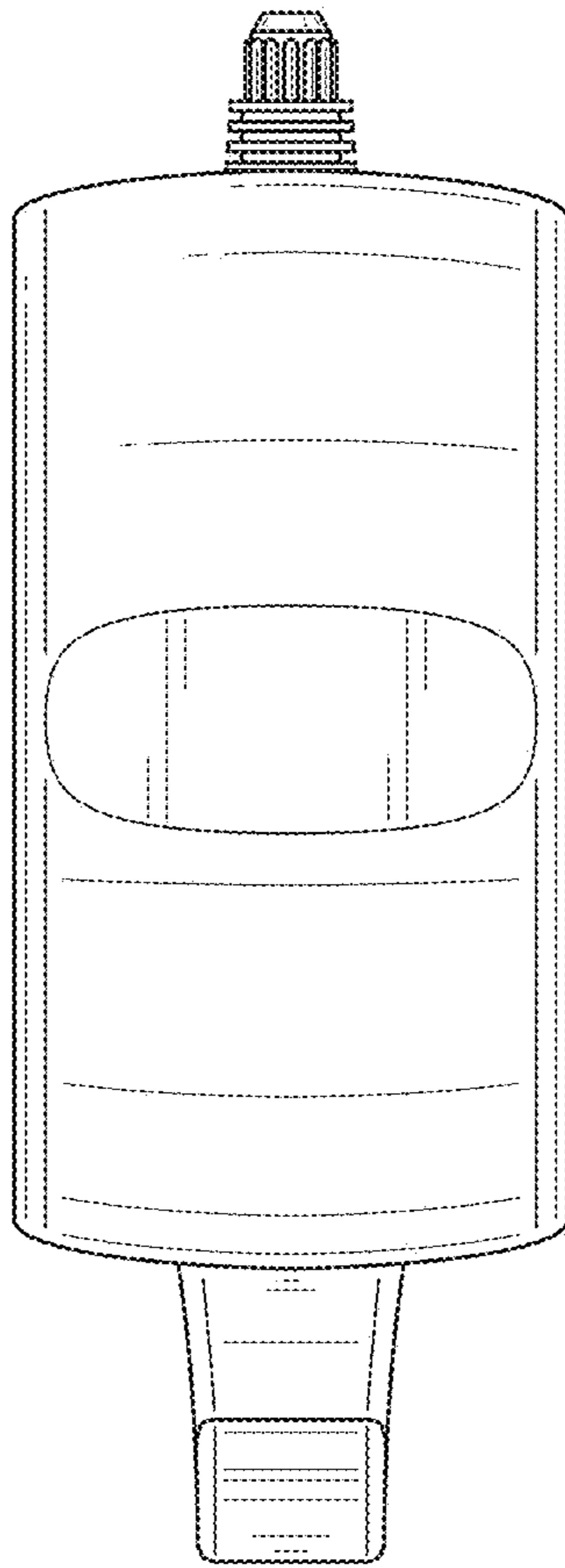


FIG. 7

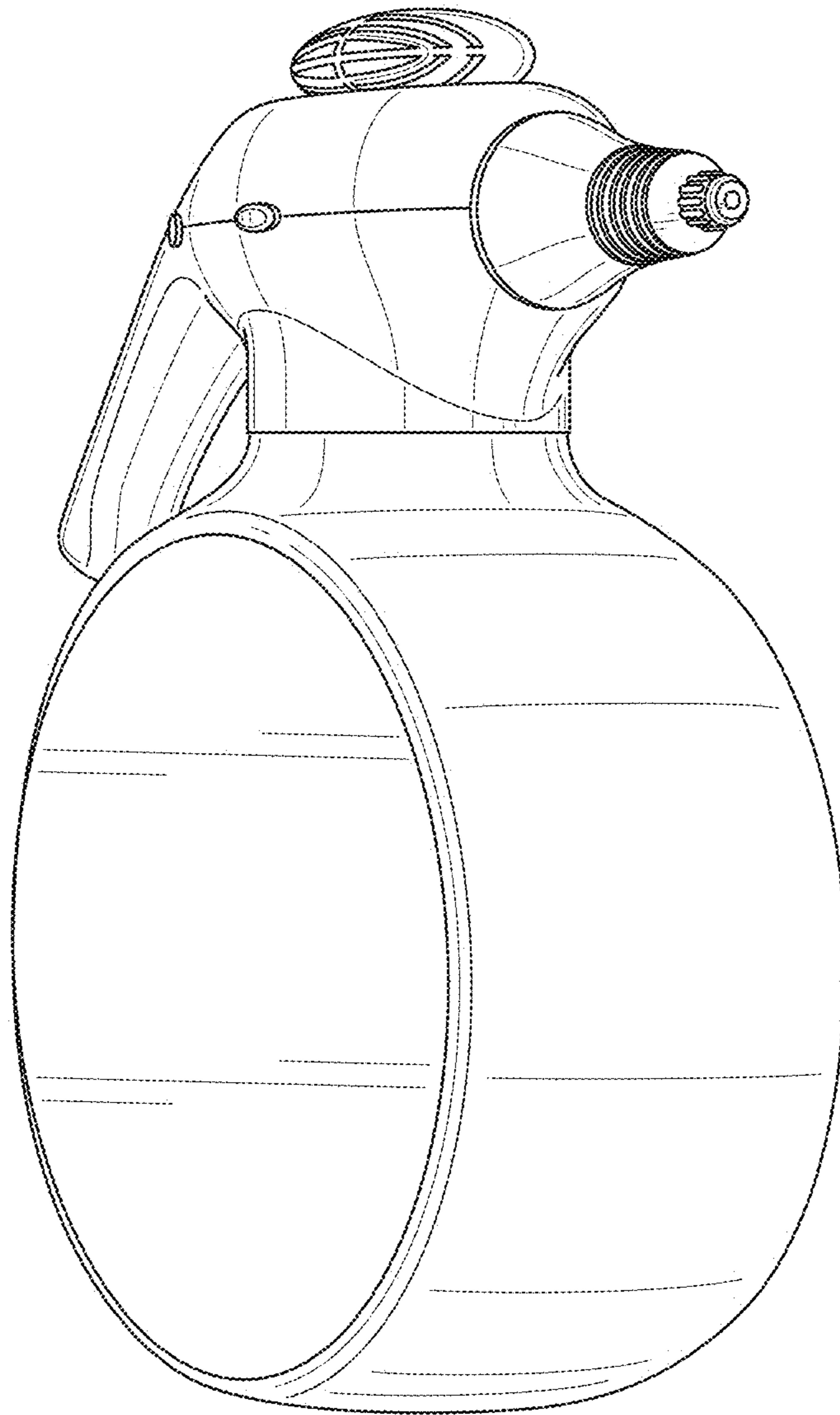


FIG. 8

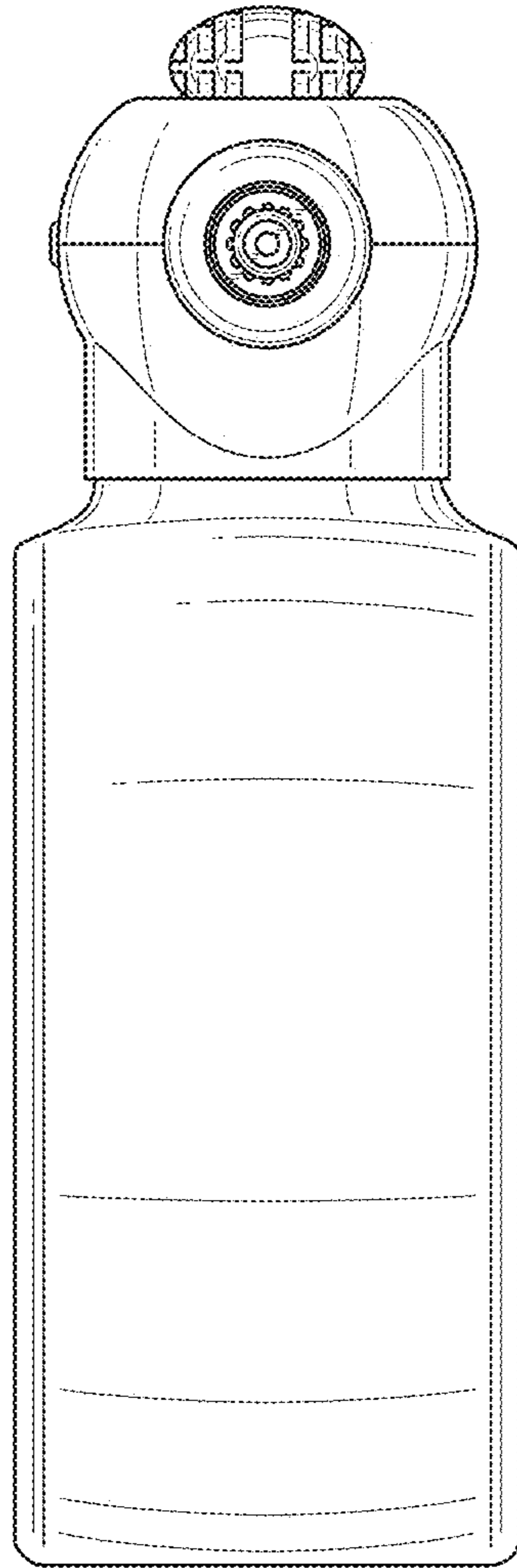


FIG. 9

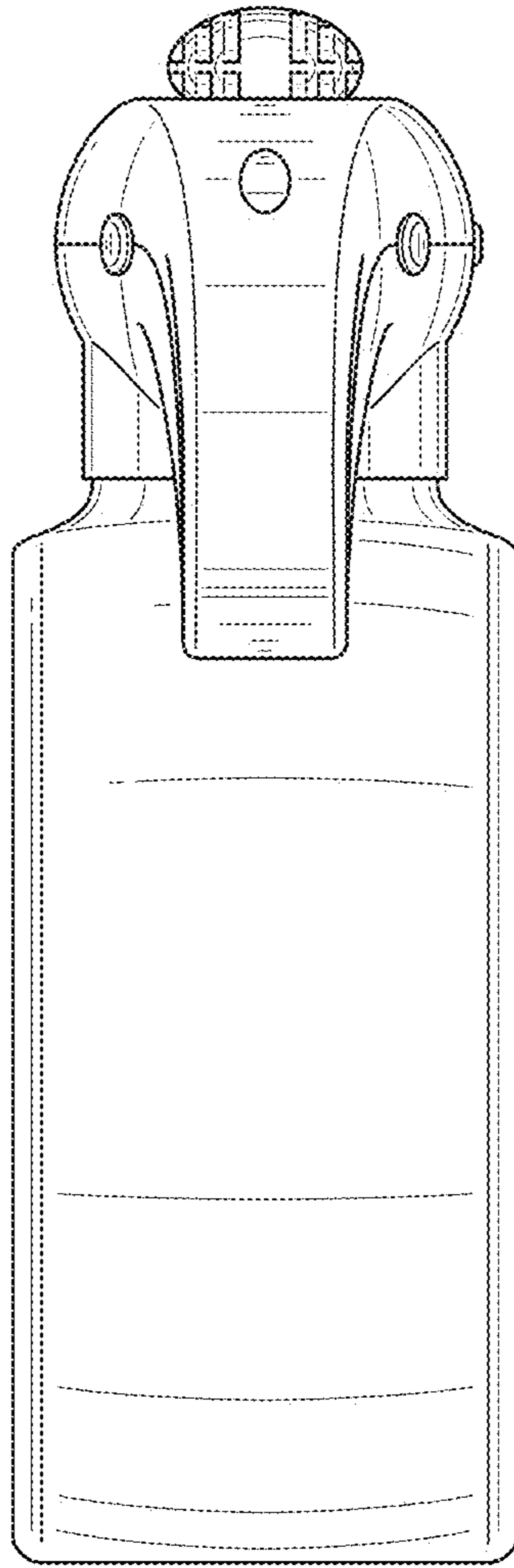


FIG. 10

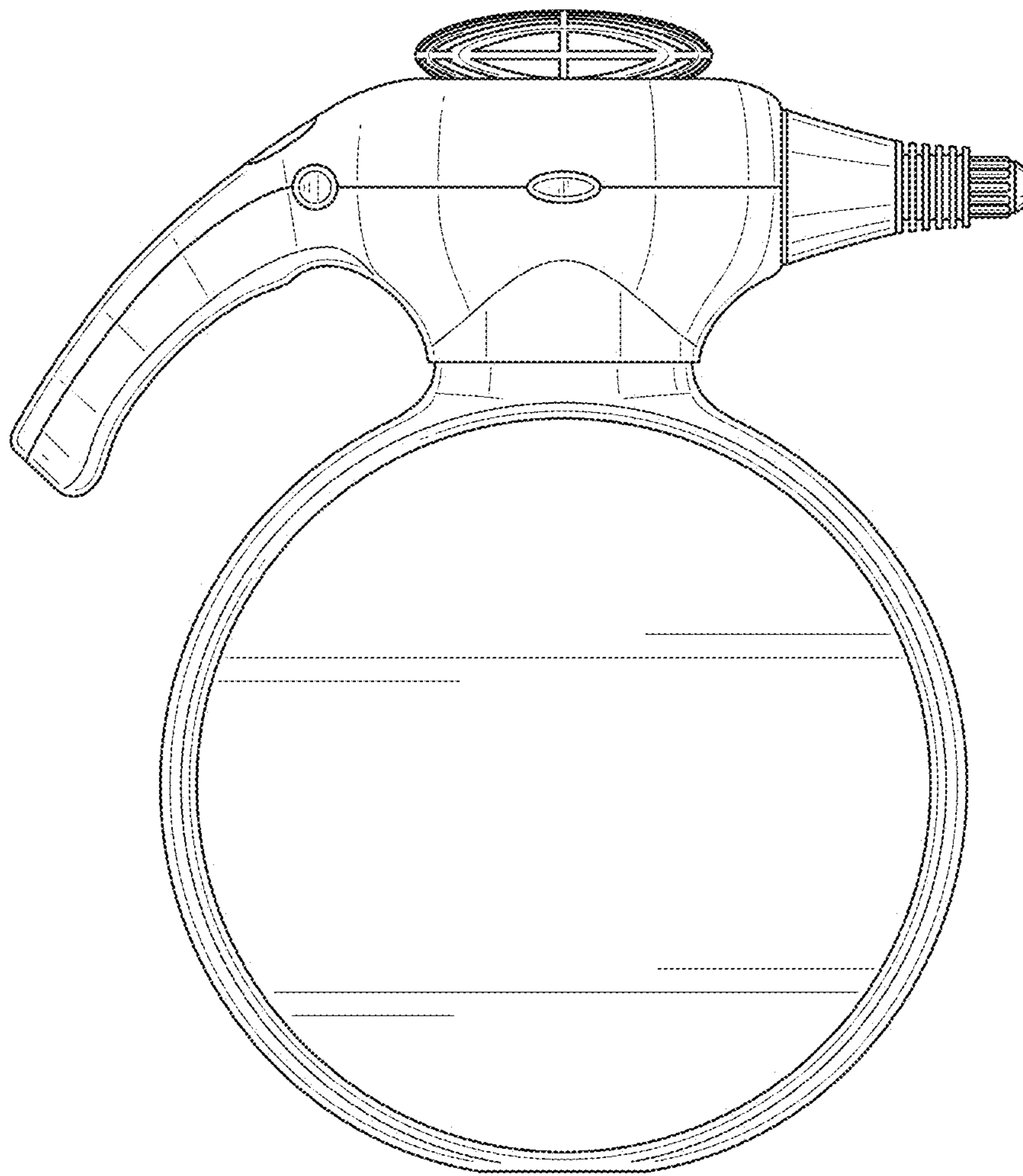


FIG. 11

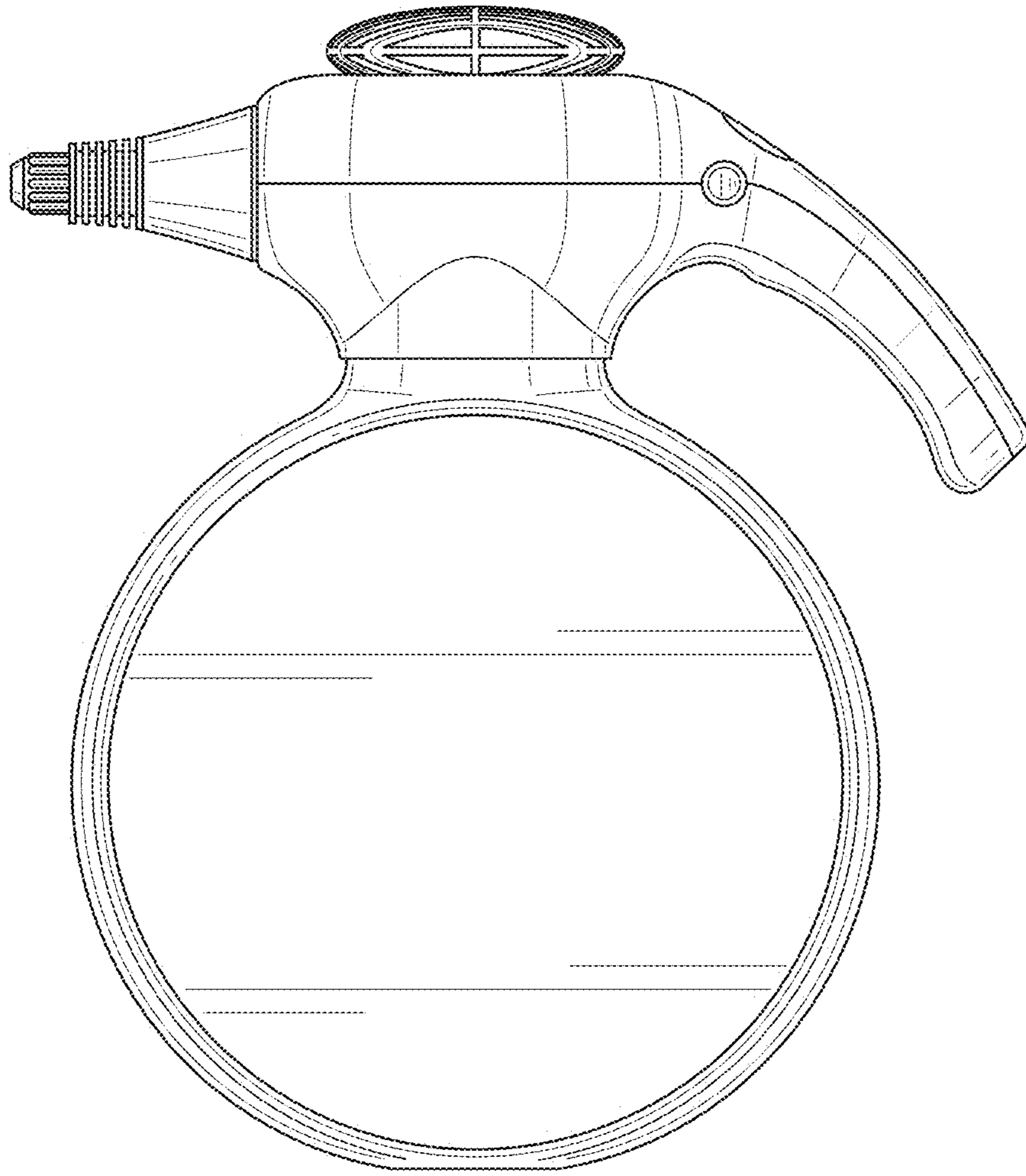


FIG. 12

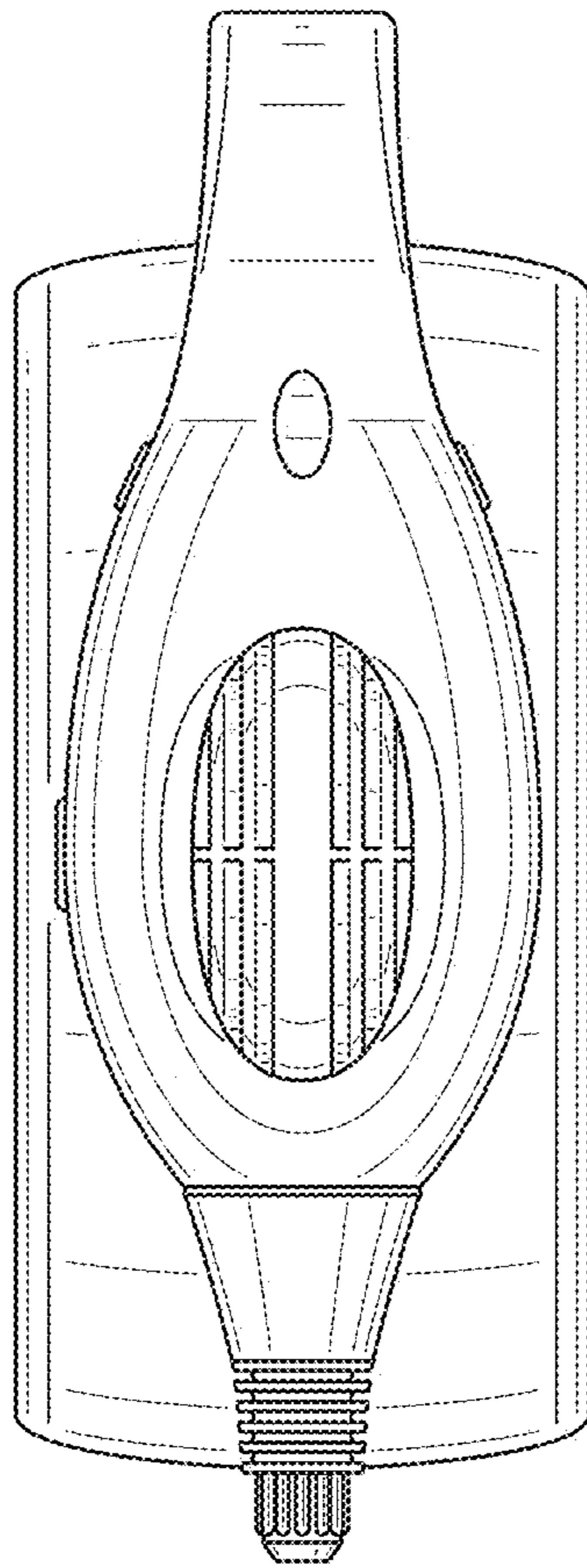


FIG. 13

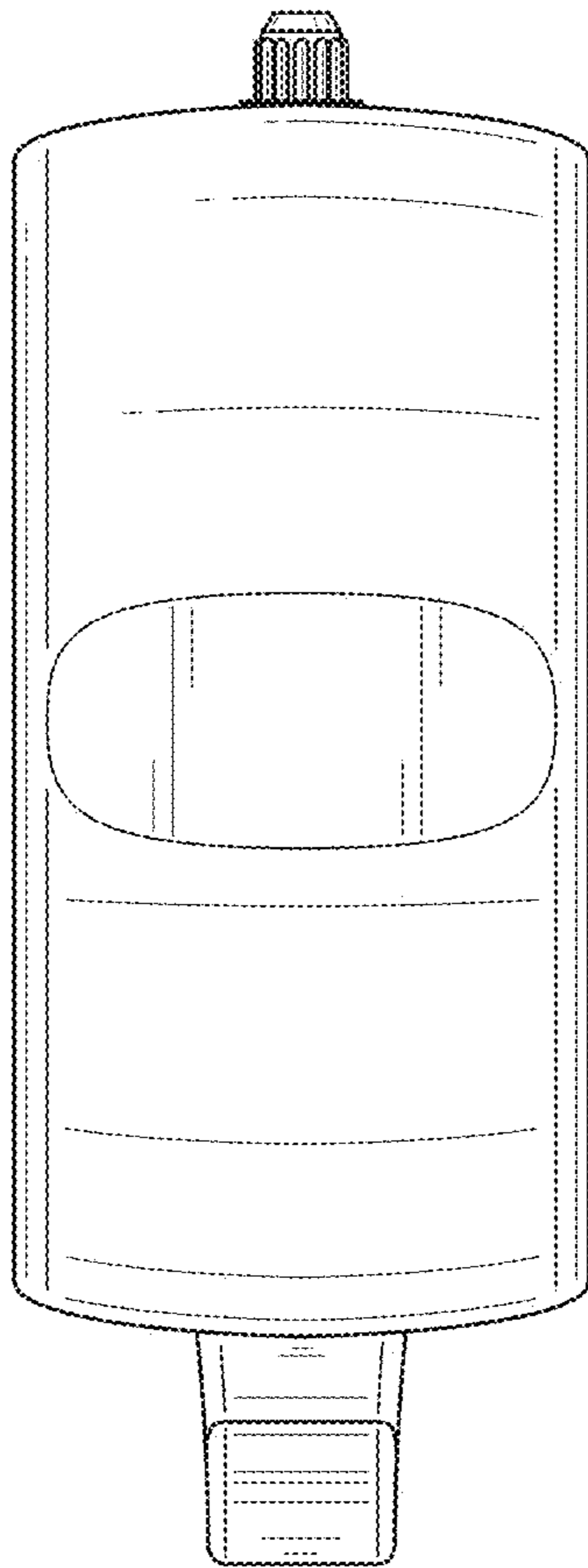


FIG. 14

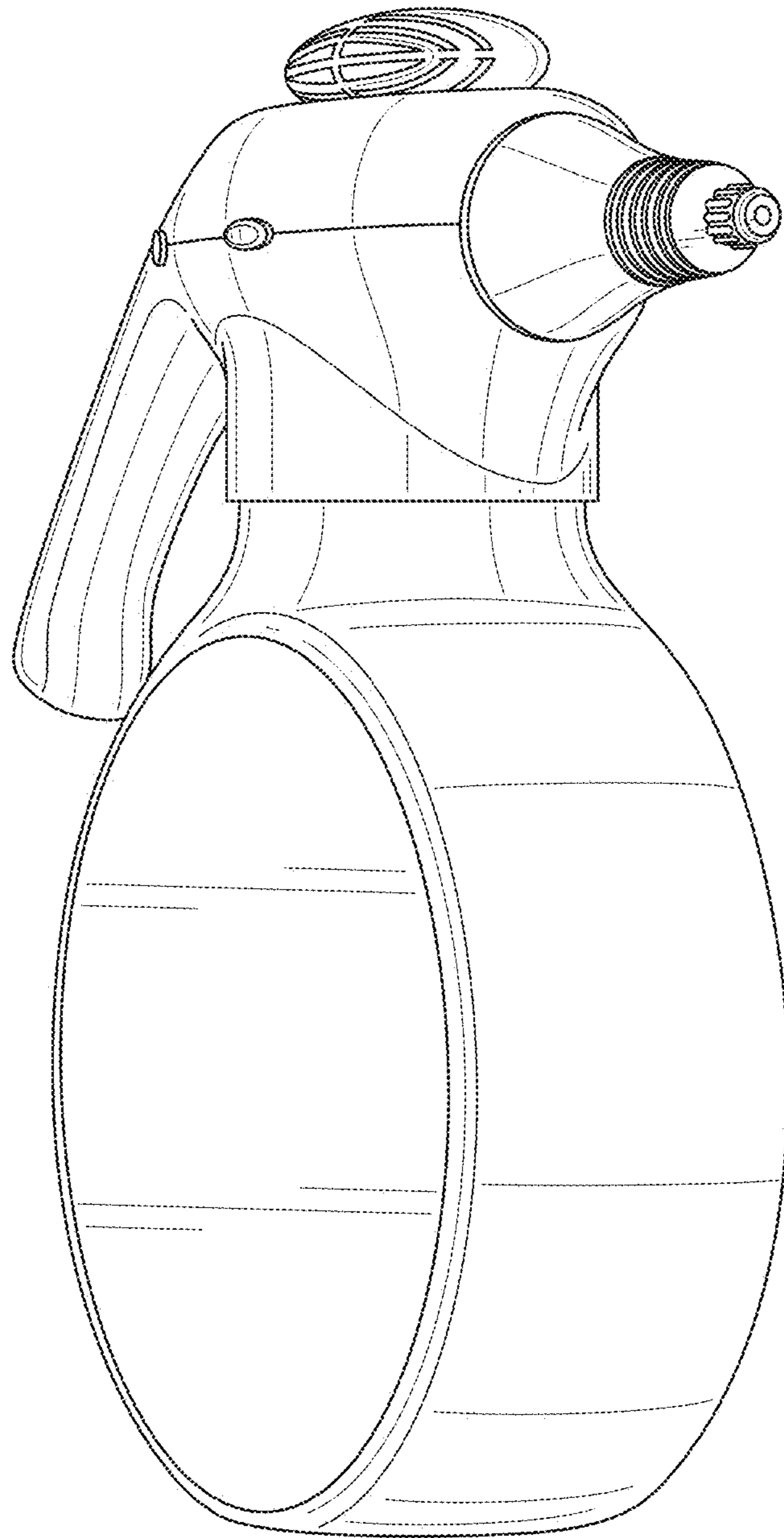


FIG. 15

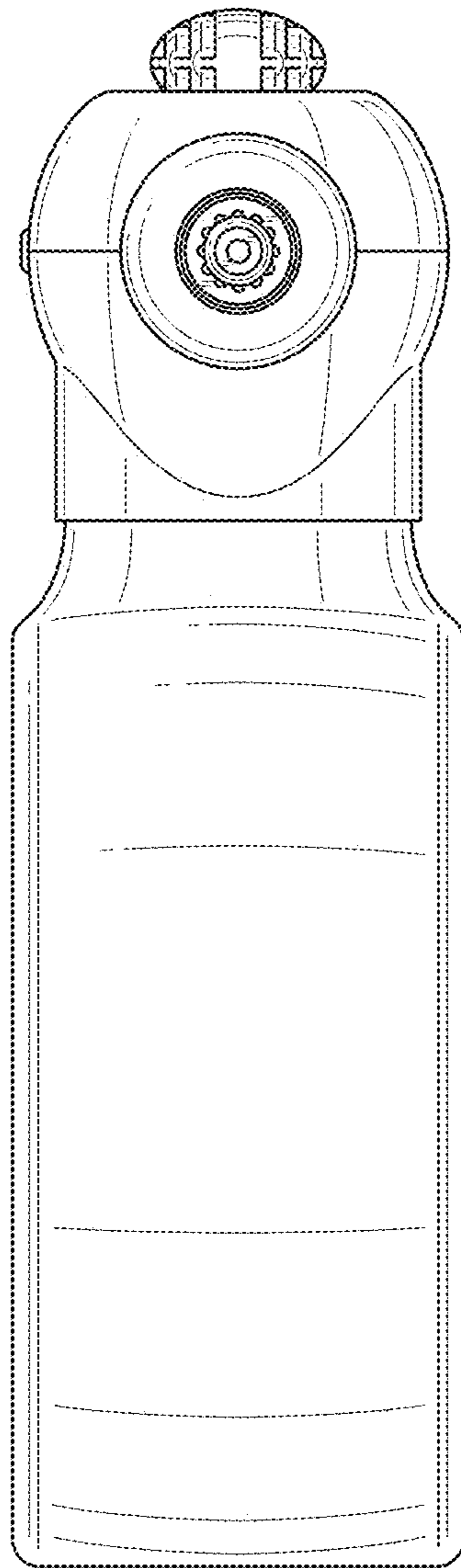


FIG. 16

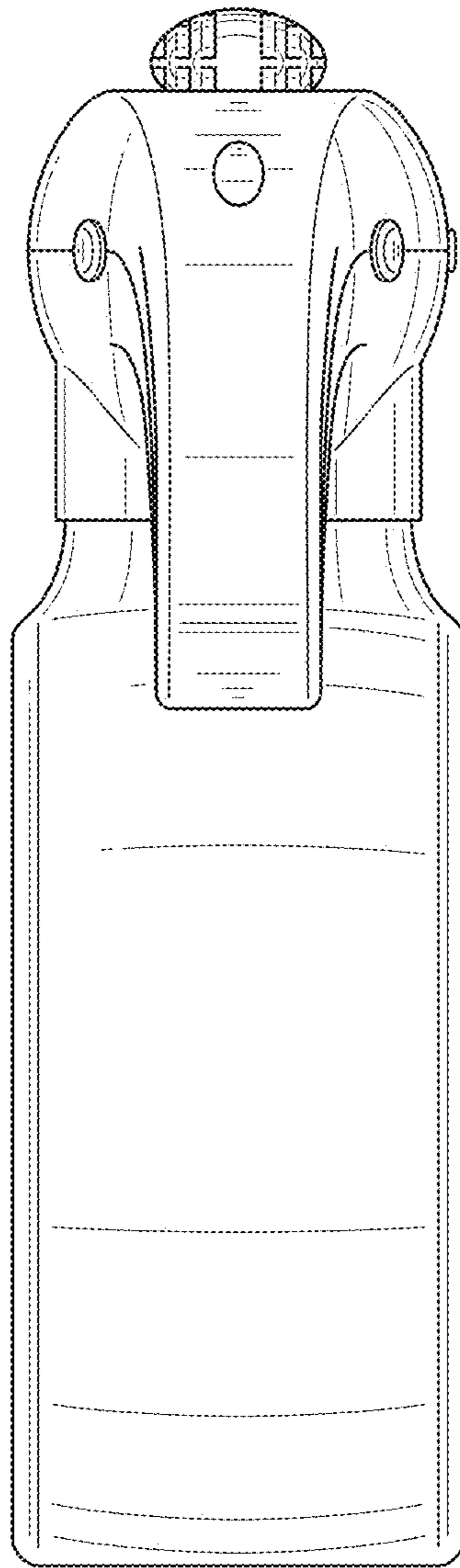


FIG. 17

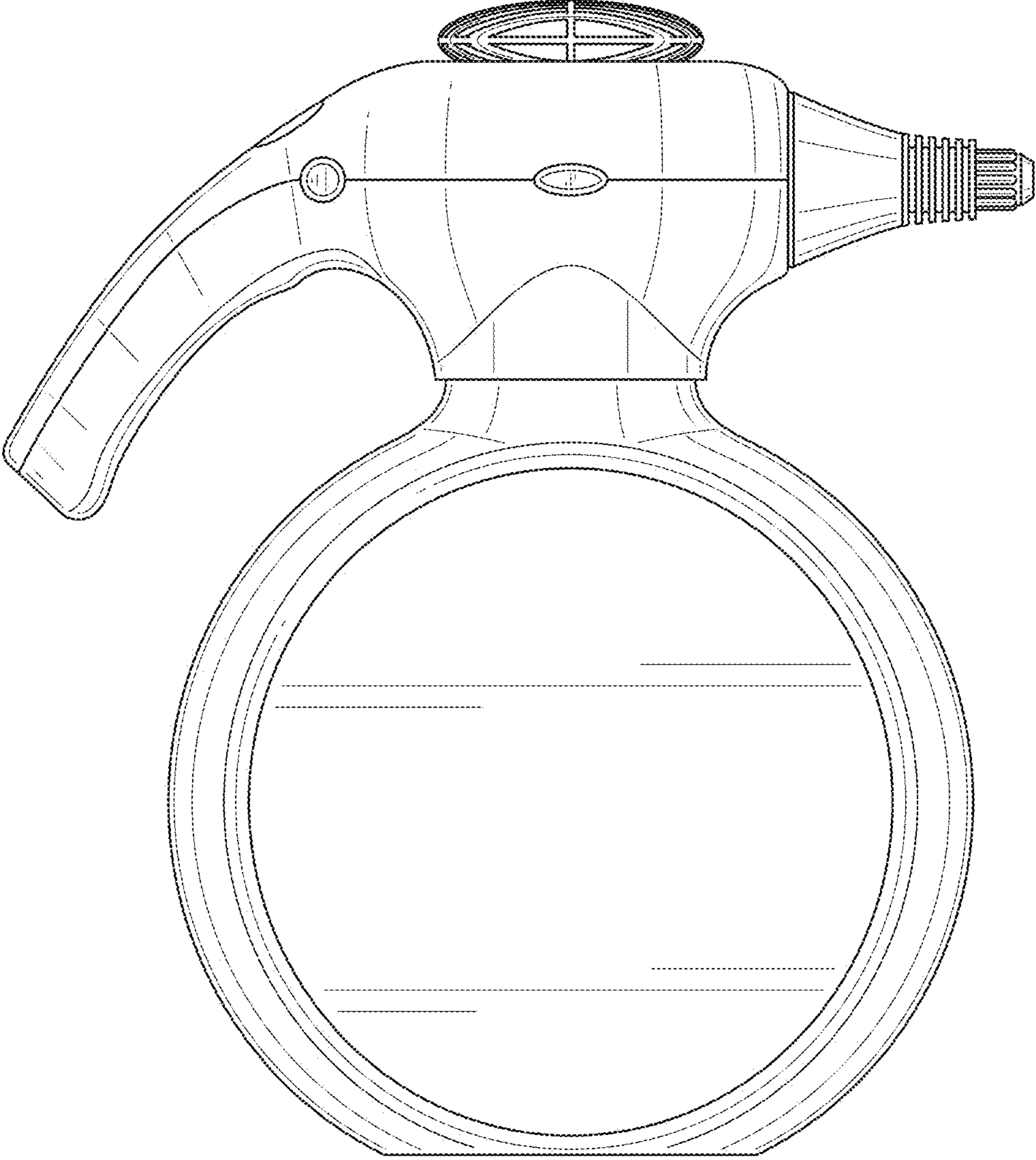


FIG. 18

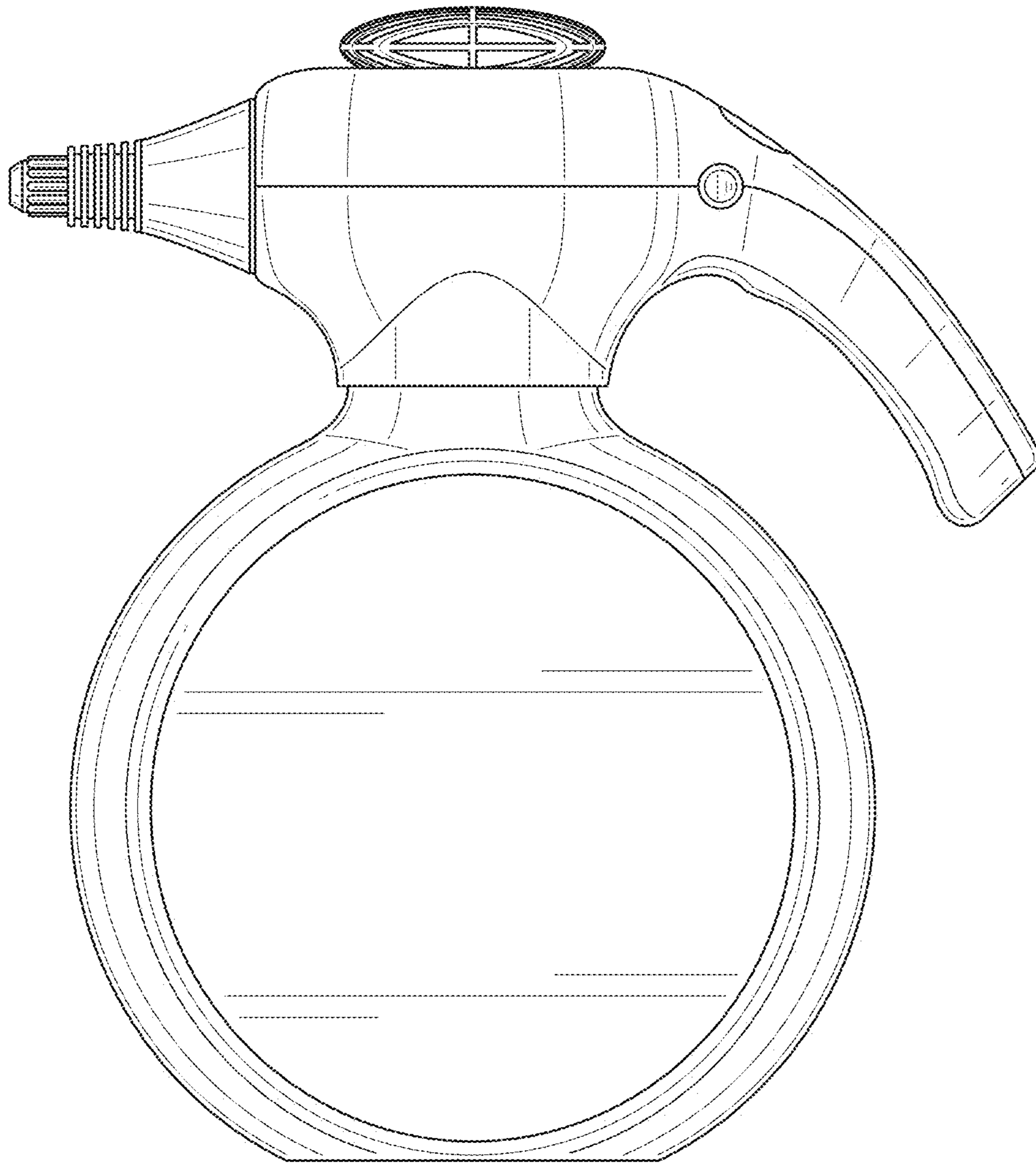


FIG. 19

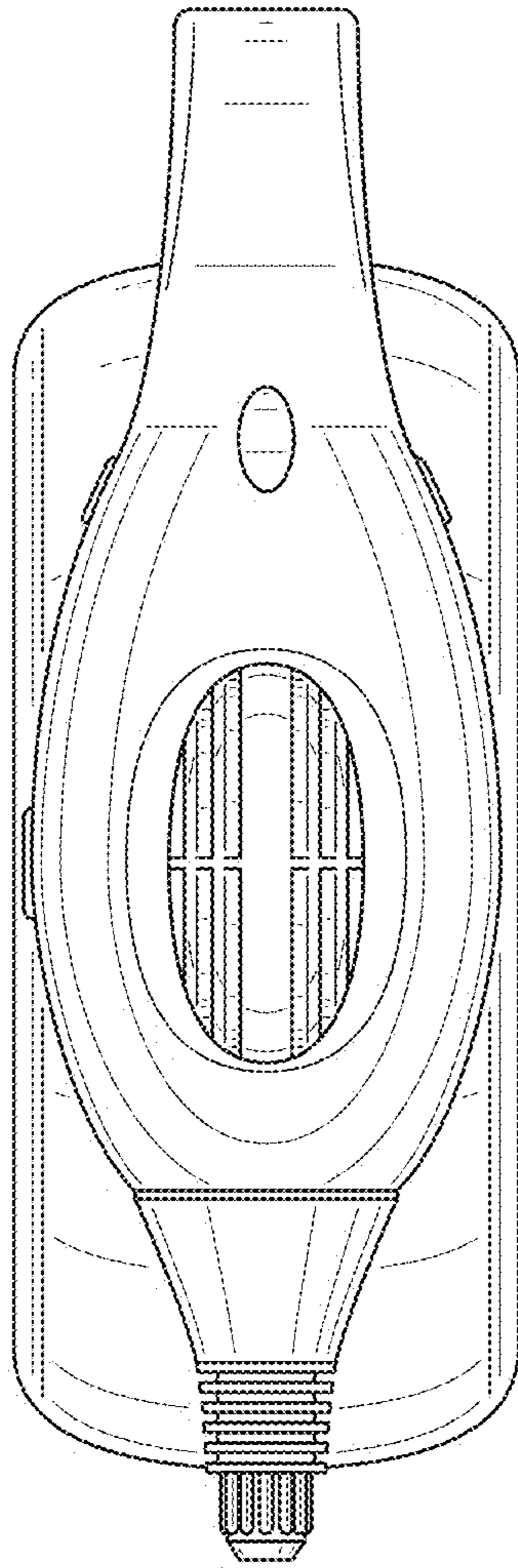


FIG. 20

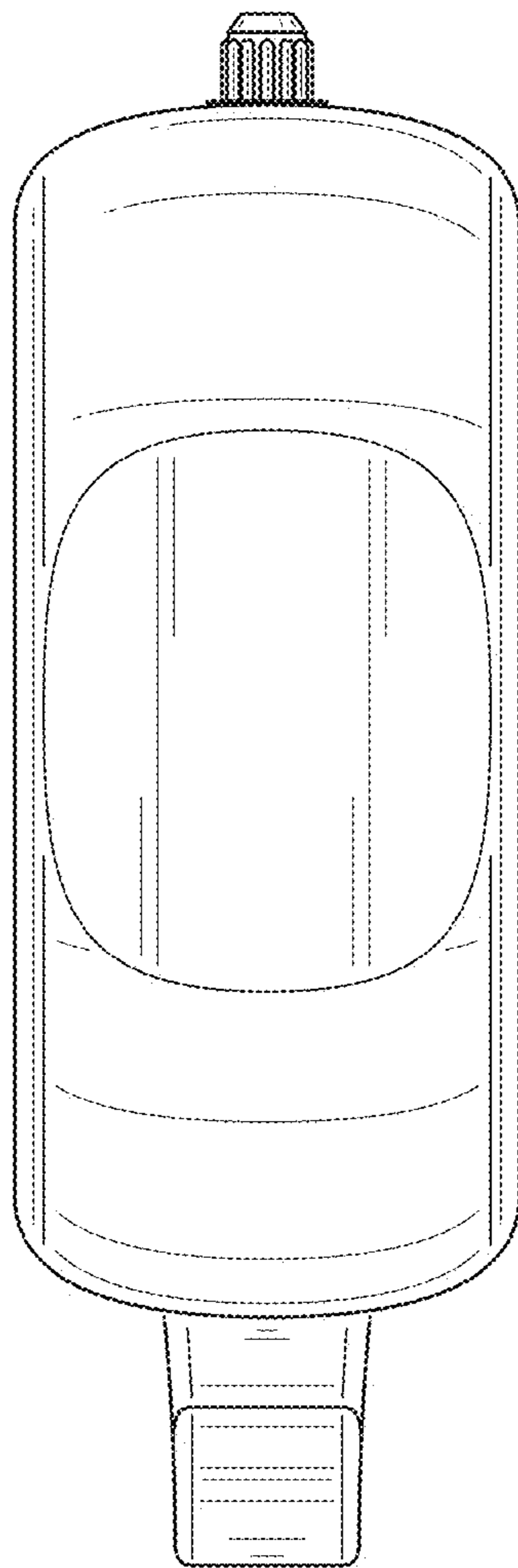


FIG. 21