



US00D743000S

(12) **United States Design Patent**
Moya et al.

(10) **Patent No.:** **US D743,000 S**

(45) **Date of Patent:** **** Nov. 10, 2015**

(54) **SPRAYER**

(71) Applicant: **The Fountainhead Group, Inc.**, New York Mills, NY (US)

(72) Inventors: **Joseph Moya**, Johnstown, OH (US);
Greg Thune, Westerville, OH (US);
Adam Jonovski, New Albany, OH (US);
Marcus Hamilton, Columbus, OH (US)

(73) Assignee: **The Fountainhead Group, Inc.**, New York Mills, NY (US)

(**) Term: **14 Years**

(21) Appl. No.: **29/500,084**

(22) Filed: **Aug. 21, 2014**

(51) **LOC (10) Cl.** **23-01**

(52) **U.S. Cl.**
USPC **D23/225**

(58) **Field of Classification Search**
USPC D23/202, 213, 225, 226; 222/383.1,
222/372, 465.1, 137; 239/302, 308, 316,
239/332-3, 337, 373, 375; D8/1, 2
CPC A62C 15/00; B05B 9/08; B05B 9/04
See application file for complete search history.

(56) **References Cited**

U.S. PATENT DOCUMENTS

D236,830 S *	9/1975	Bochmann et al.	D23/225
D542,373 S *	5/2007	Cooper	D23/225
7,520,447 B2 *	4/2009	Engelen et al.	239/302
8,141,754 B2 *	3/2012	Conner et al.	222/333

* cited by examiner

Primary Examiner — Robin V Webster

(74) *Attorney, Agent, or Firm* — George R. McGuire; Bond Schoeneck & King, PLLC

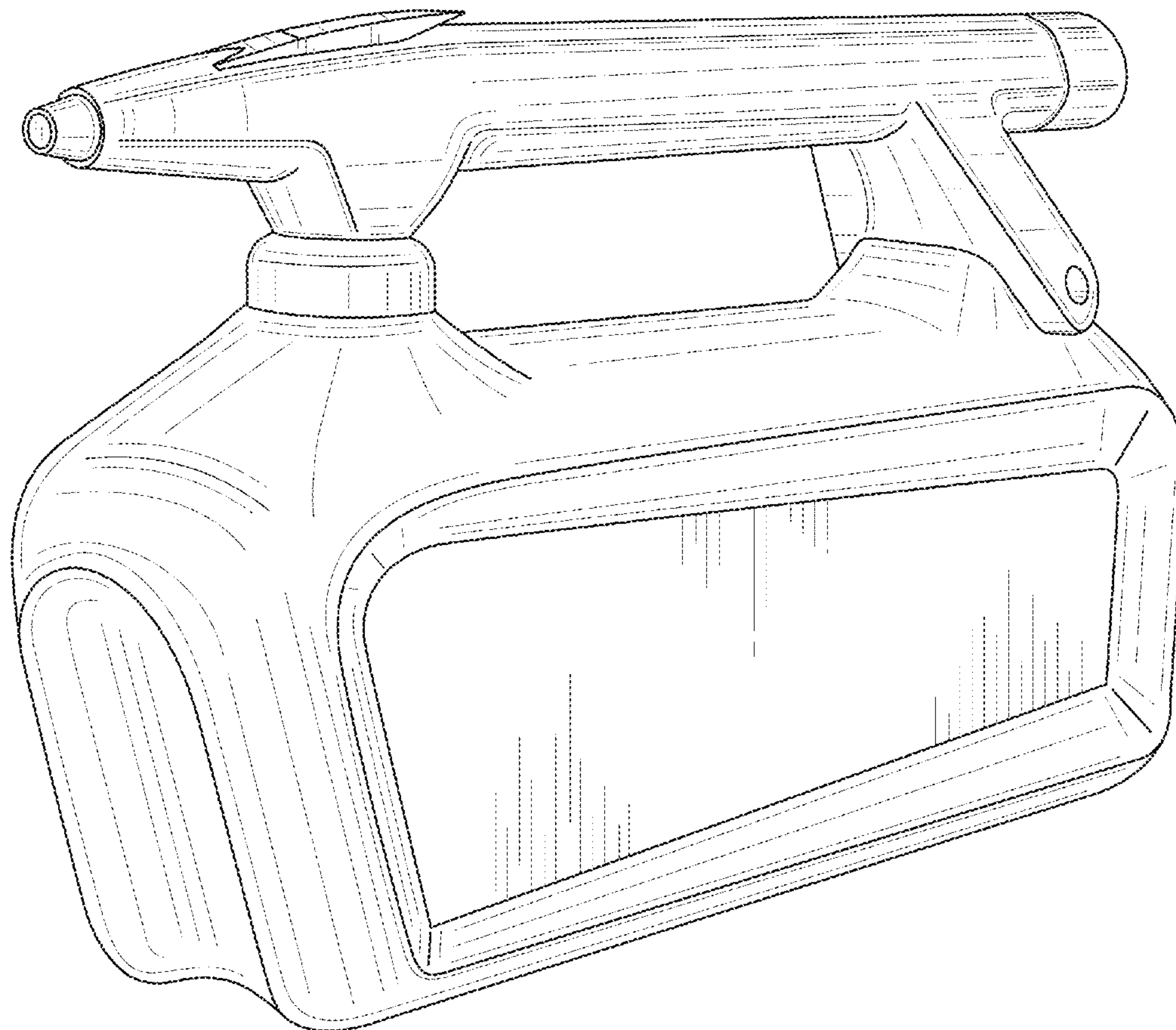
(57) **CLAIM**

The ornamental design for a sprayer, as shown and described.

DESCRIPTION

FIG. 1 is a perspective view of a new and ornamental design for a sprayer;
FIG. 2 is a front elevation view thereof;
FIG. 3 is a rear elevation view thereof;
FIG. 4 is a first side elevation view thereof;
FIG. 5 is a second side elevation view thereof;
FIG. 6 is a top plan view thereof; and,
FIG. 7 is a bottom plan view thereof.

1 Claim, 6 Drawing Sheets



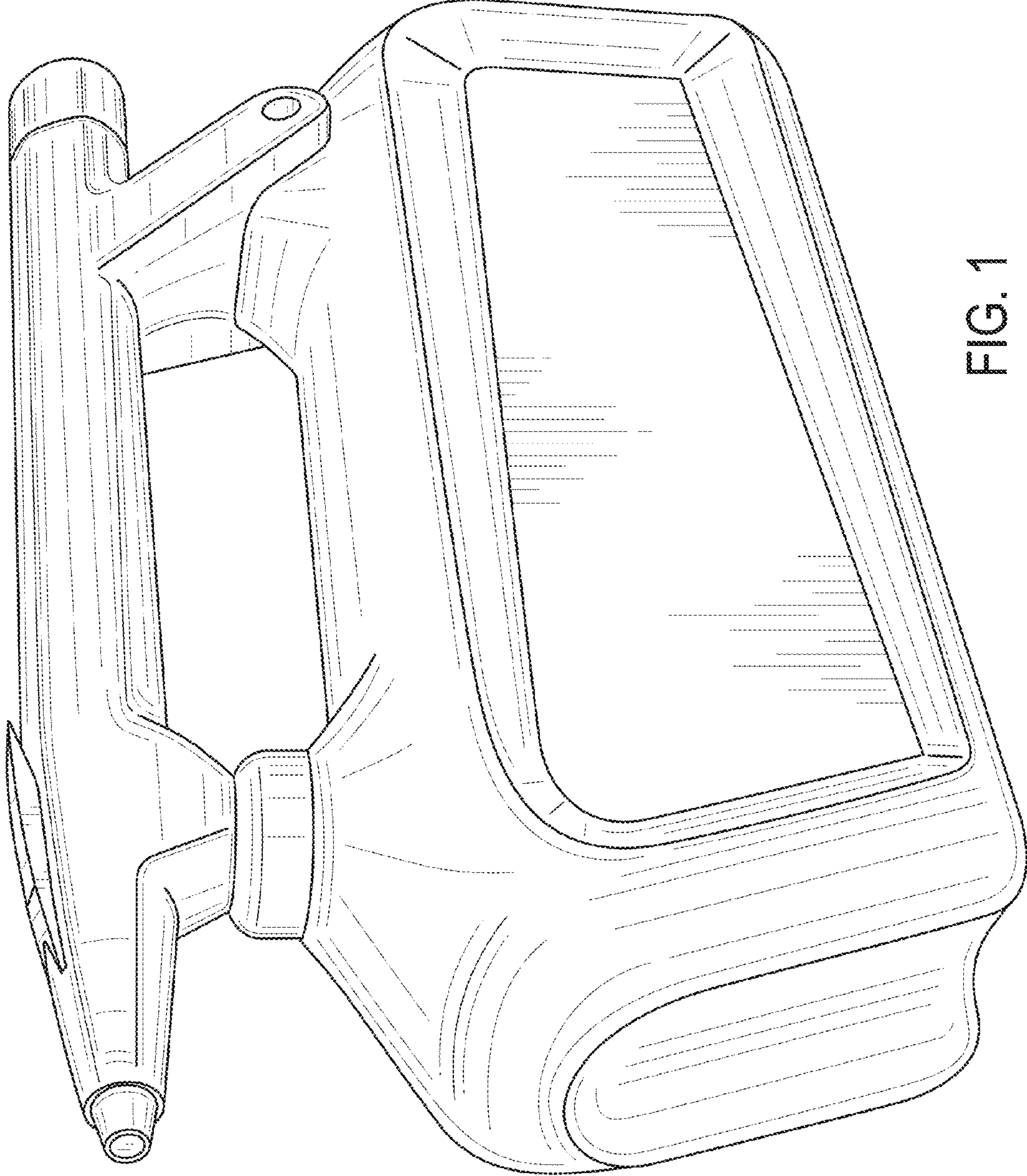


FIG. 1

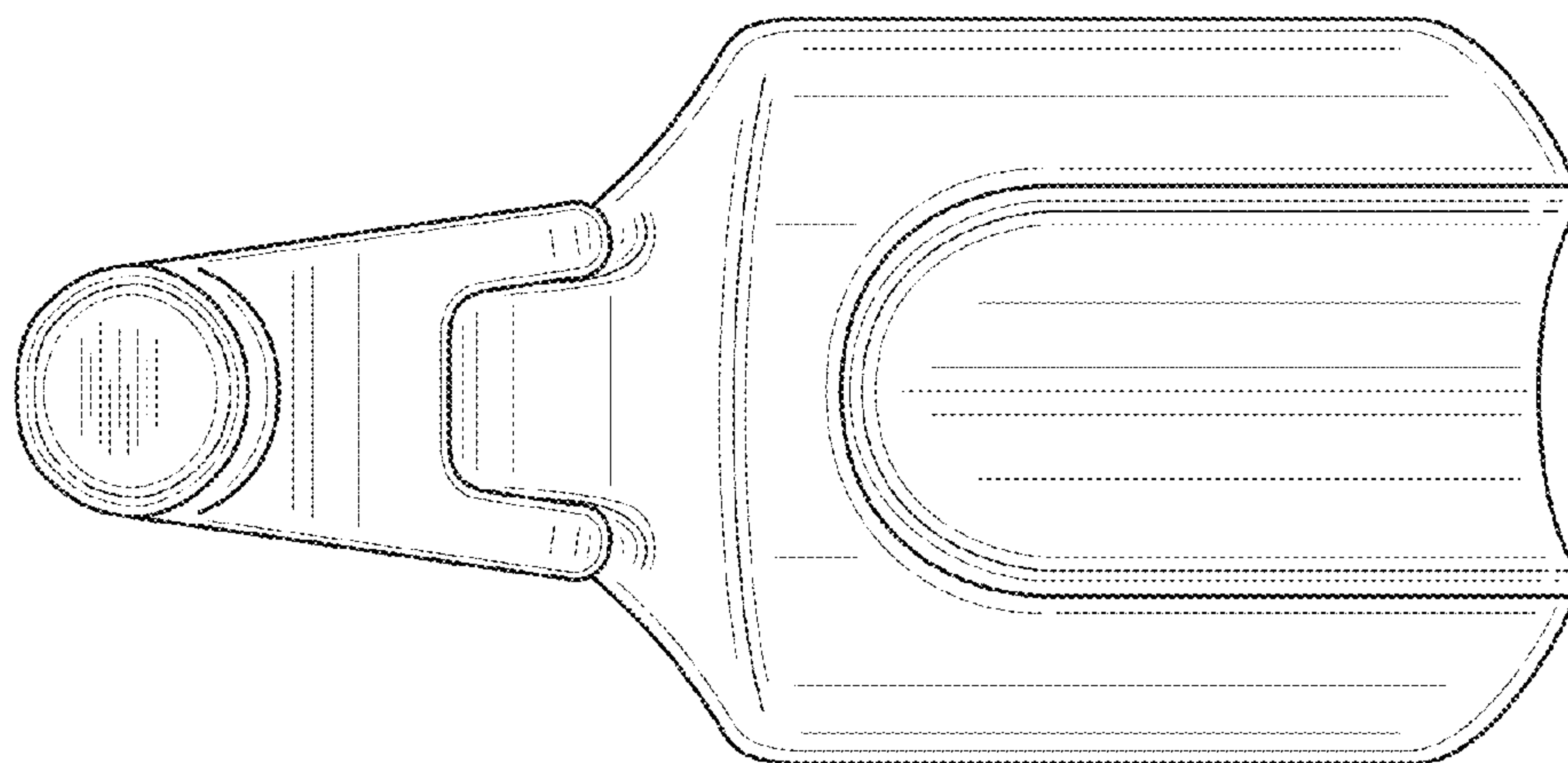


FIG. 3

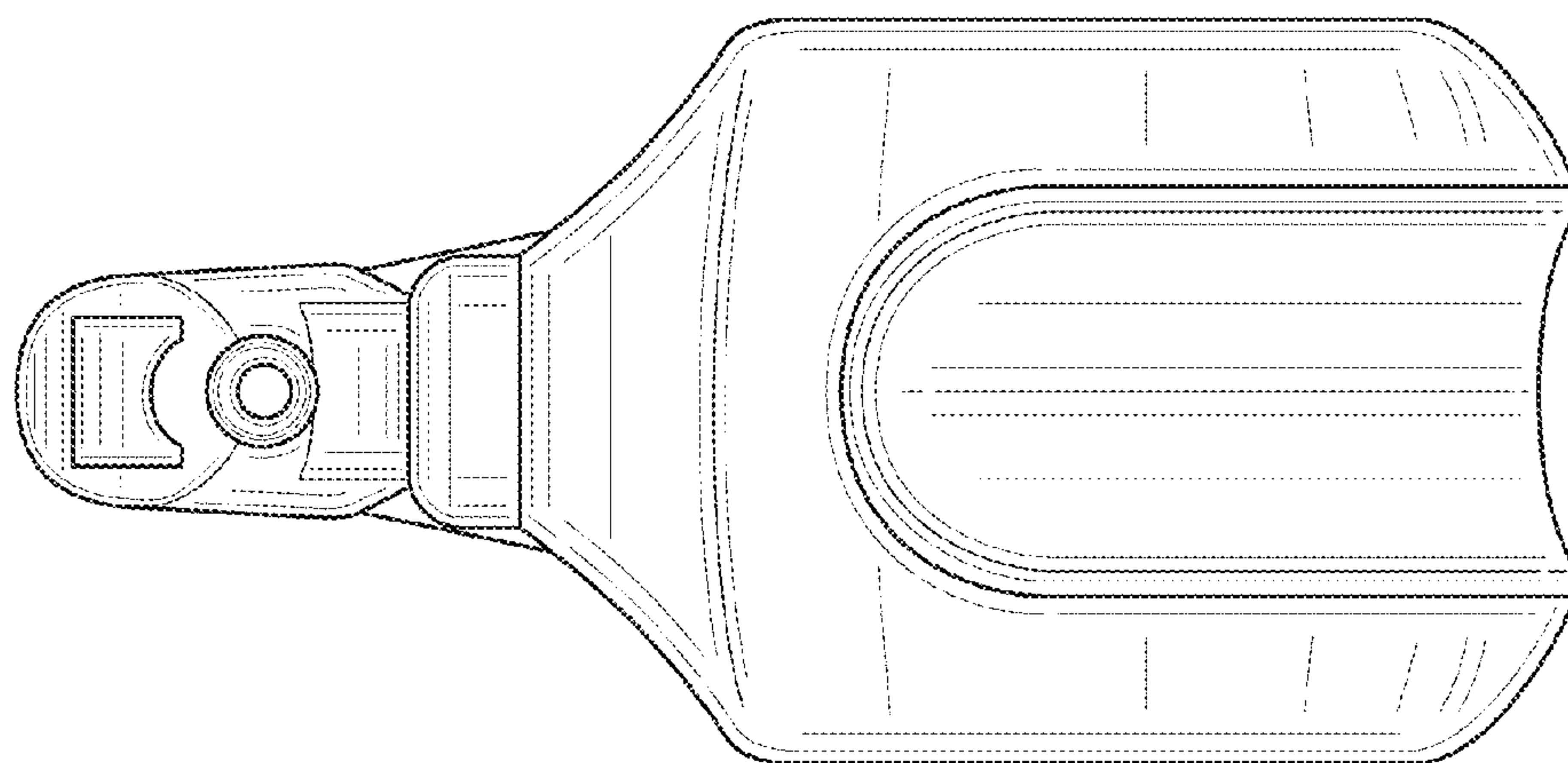


FIG. 2

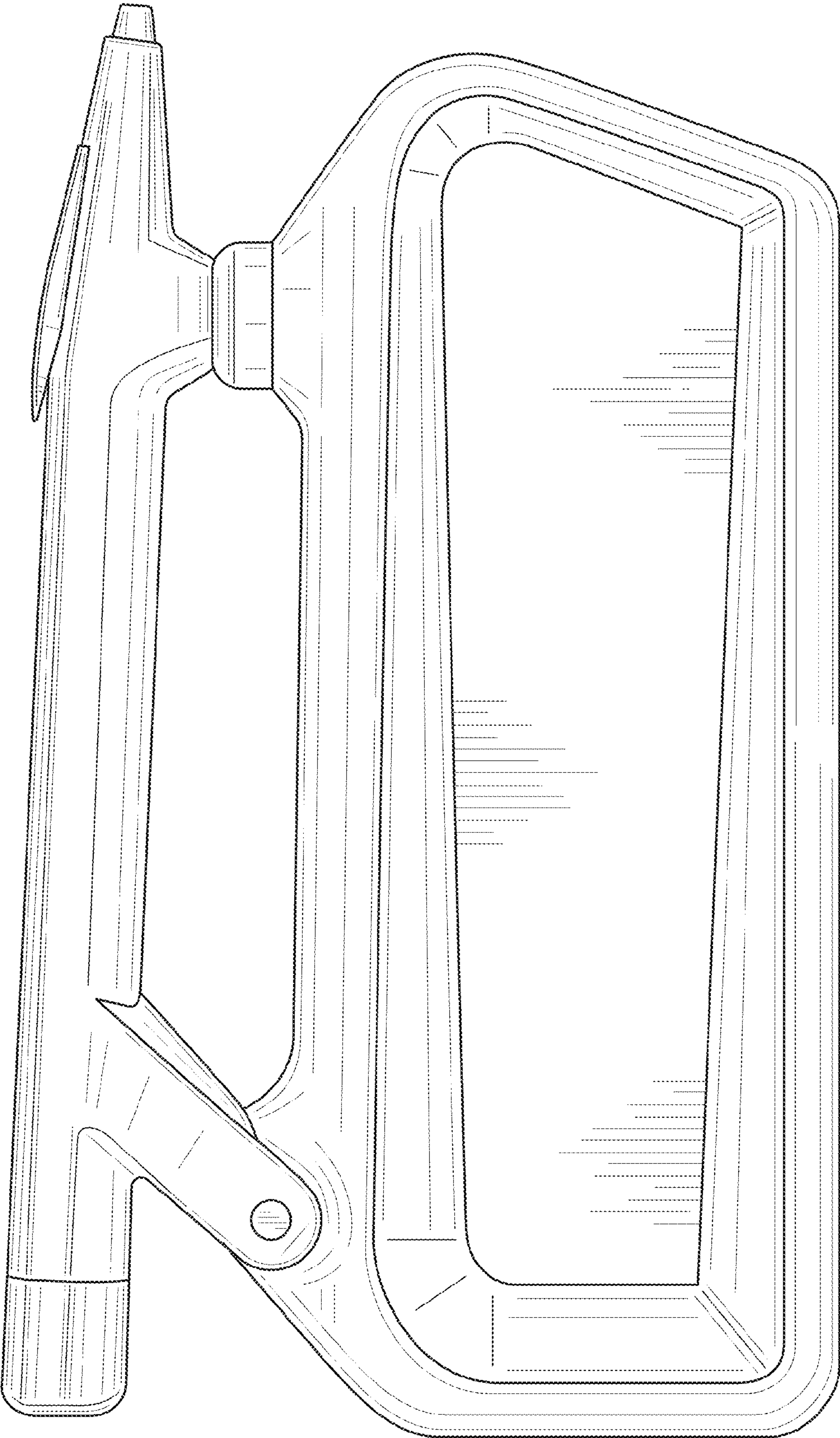


FIG. 4

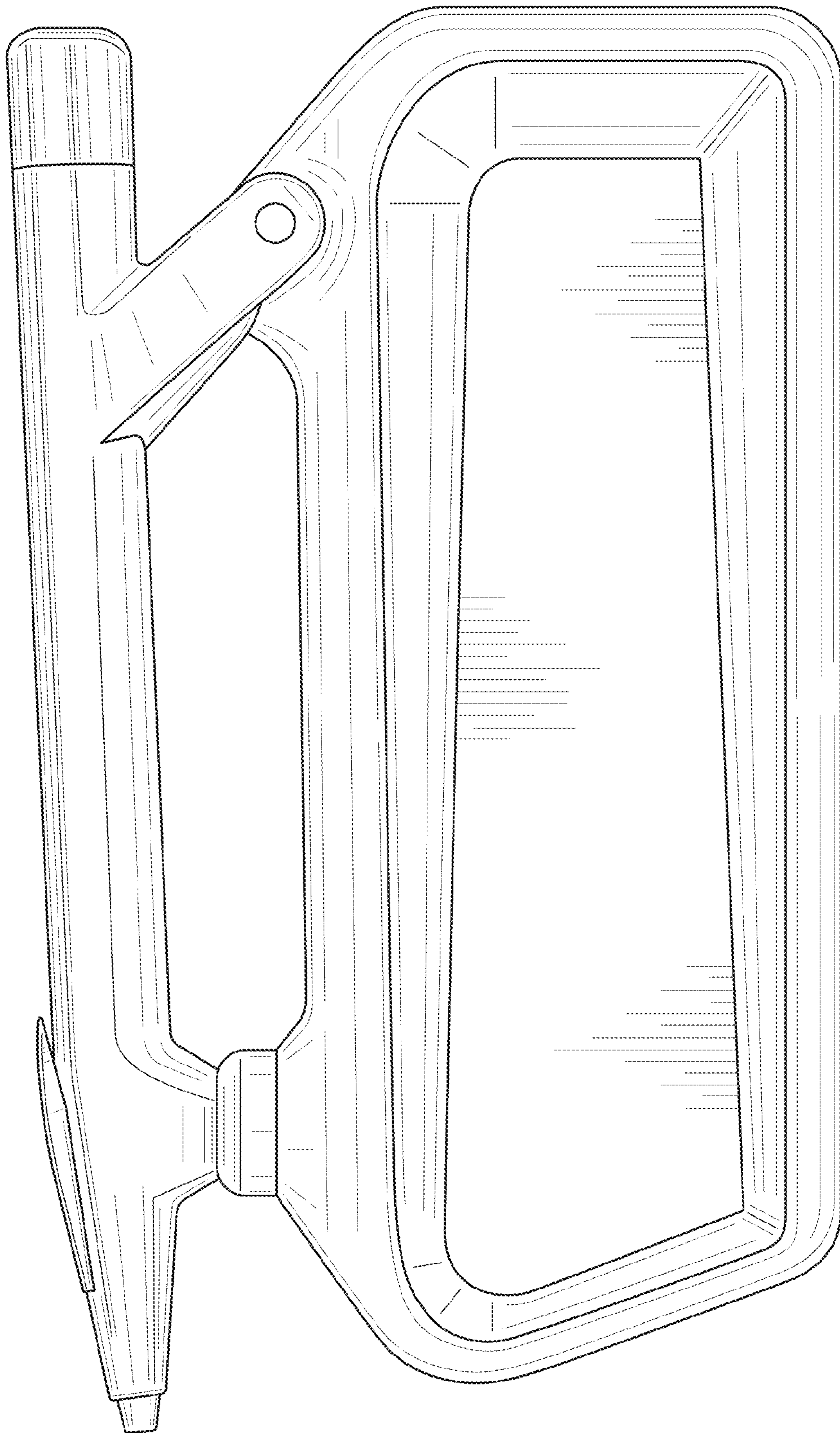


FIG. 5

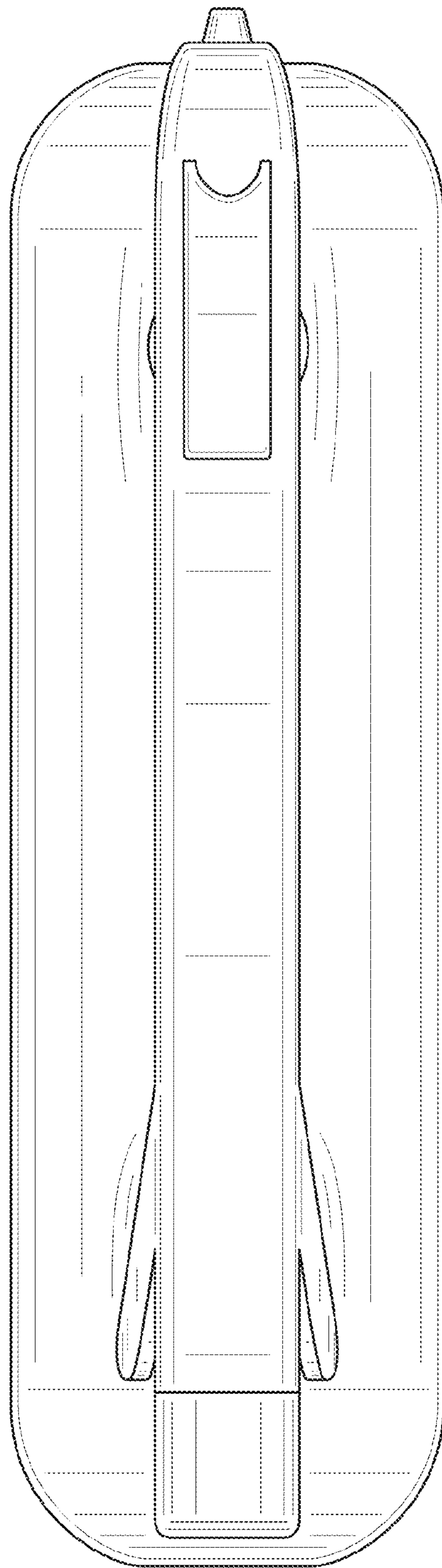


FIG. 6

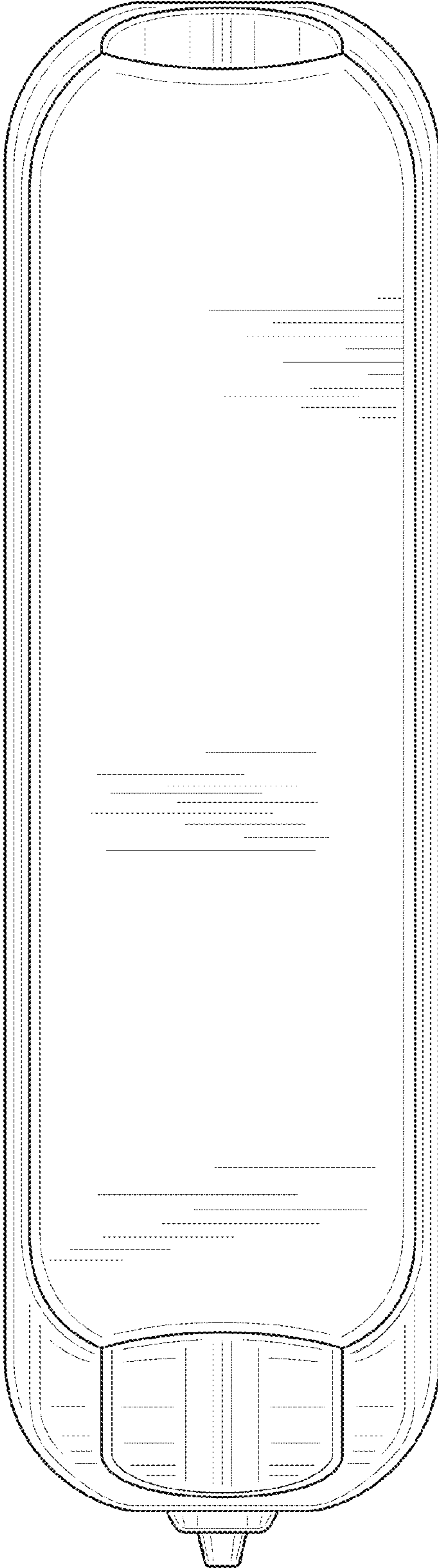


FIG. 7