



US00D742998S

(12) **United States Design Patent**  
**Gooden et al.**

(10) **Patent No.:** **US D742,998 S**  
(45) **Date of Patent:** **\*\* Nov. 10, 2015**

(54) **SPRAYER**

(71) Applicant: **Hopkins Manufacturing Corporation,**  
Emporia, KS (US)

(72) Inventors: **Marcus Gooden,** LomaLinda, CA (US);  
**Pieter Schouten,** Berkeley, CA (US)

(73) Assignee: **Hopkins Manufacturing Corporation,**  
Emporia, KS (US)

(\*\*) Term: **14 Years**

(21) Appl. No.: **29/499,010**

(22) Filed: **Aug. 11, 2014**

(51) **LOC (10) Cl.** ..... **23-01**

(52) **U.S. Cl.**  
USPC ..... **D23/225; D23/226**

(58) **Field of Classification Search**  
USPC ..... D23/202, 213, 225, 226; 222/383.1,  
222/372, 465.1, 137; 239/302, 308, 316,  
239/332-3, 337, 373  
CPC ..... A62C 15/00; B05B 9/08; B05B 9/04  
See application file for complete search history.

(56) **References Cited**

U.S. PATENT DOCUMENTS

D519,603 S \* 4/2006 Schumann et al. .... D23/225  
D567,331 S \* 4/2008 Everett et al. .... D23/225  
7,891,588 B2 \* 2/2011 Jones et al. .... 239/600

\* cited by examiner

*Primary Examiner* — Robin V Webster

(74) *Attorney, Agent, or Firm* — George R. McGuire; Bond  
Schoeneck & King, PLLC

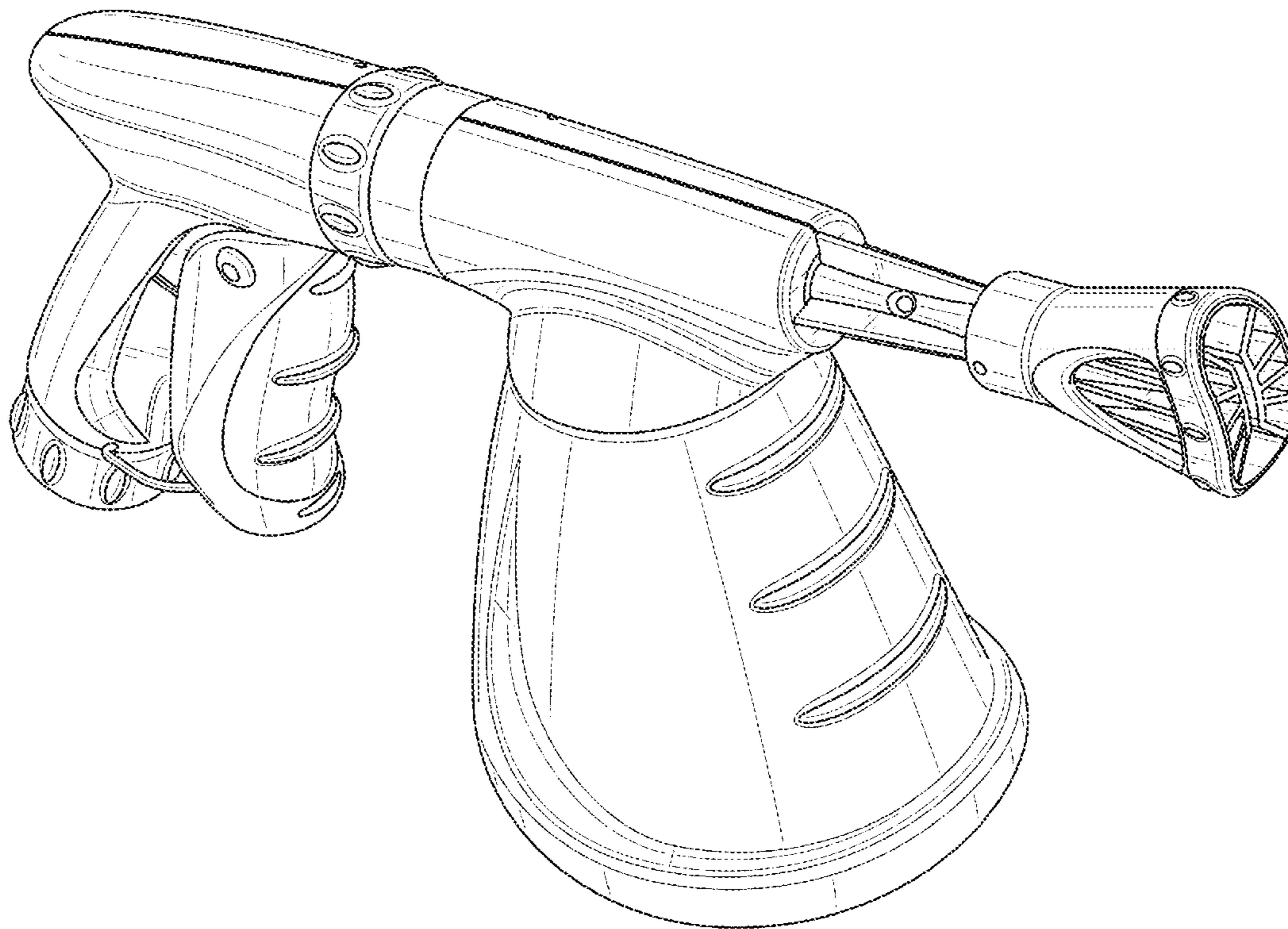
(57) **CLAIM**

The ornamental design for a sprayer, as shown and described.

**DESCRIPTION**

FIG. 1 is a perspective view of a new and ornamental design  
for a sprayer;  
FIG. 2 is a front elevation view thereof;  
FIG. 3 is a rear elevation view thereof;  
FIG. 4 is a right side elevation view thereof;  
FIG. 5 is a left side elevation view thereof;  
FIG. 6 is a top plan view thereof; and,  
FIG. 7 is a bottom plan view thereof.

**1 Claim, 5 Drawing Sheets**



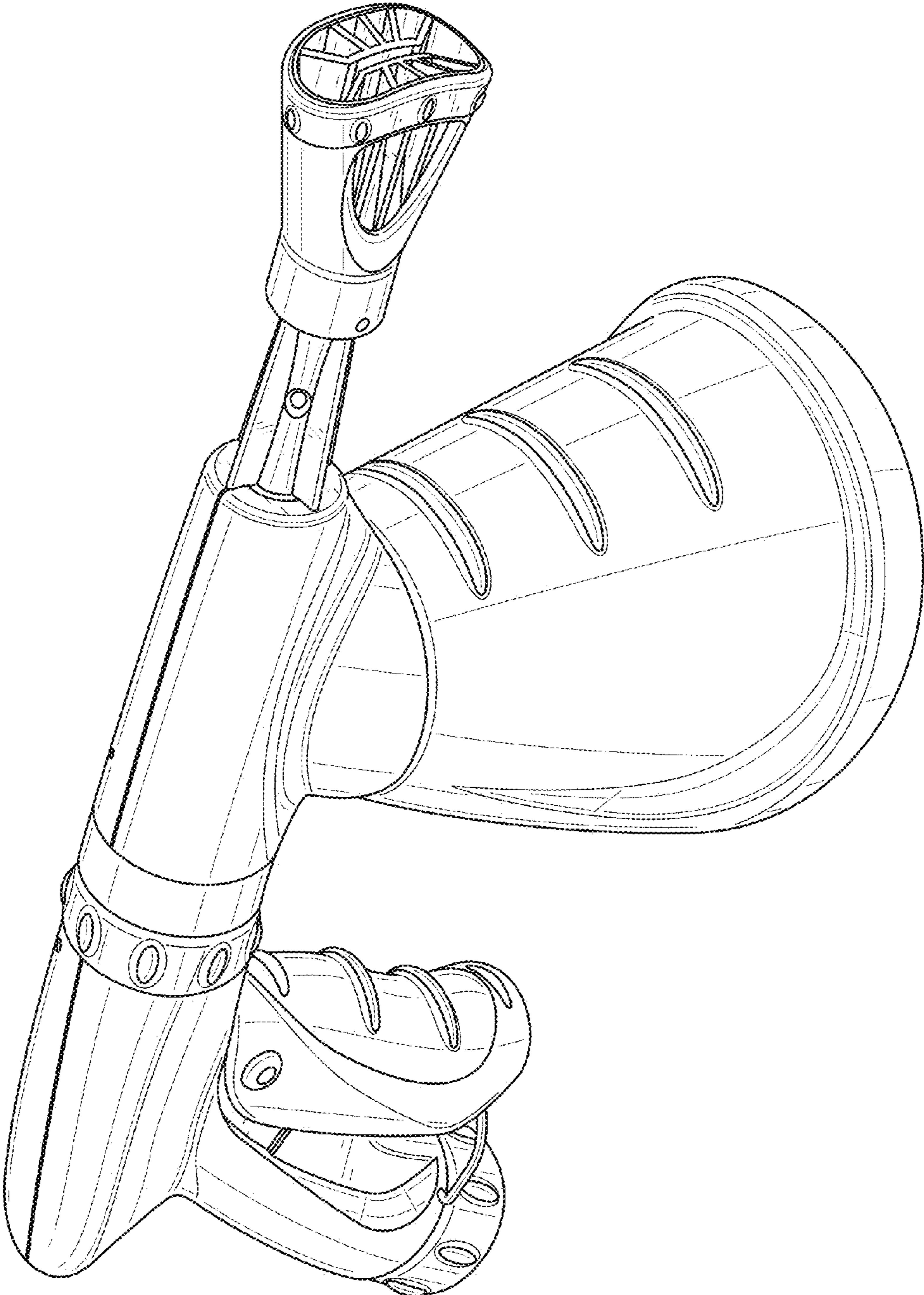


FIG. 1

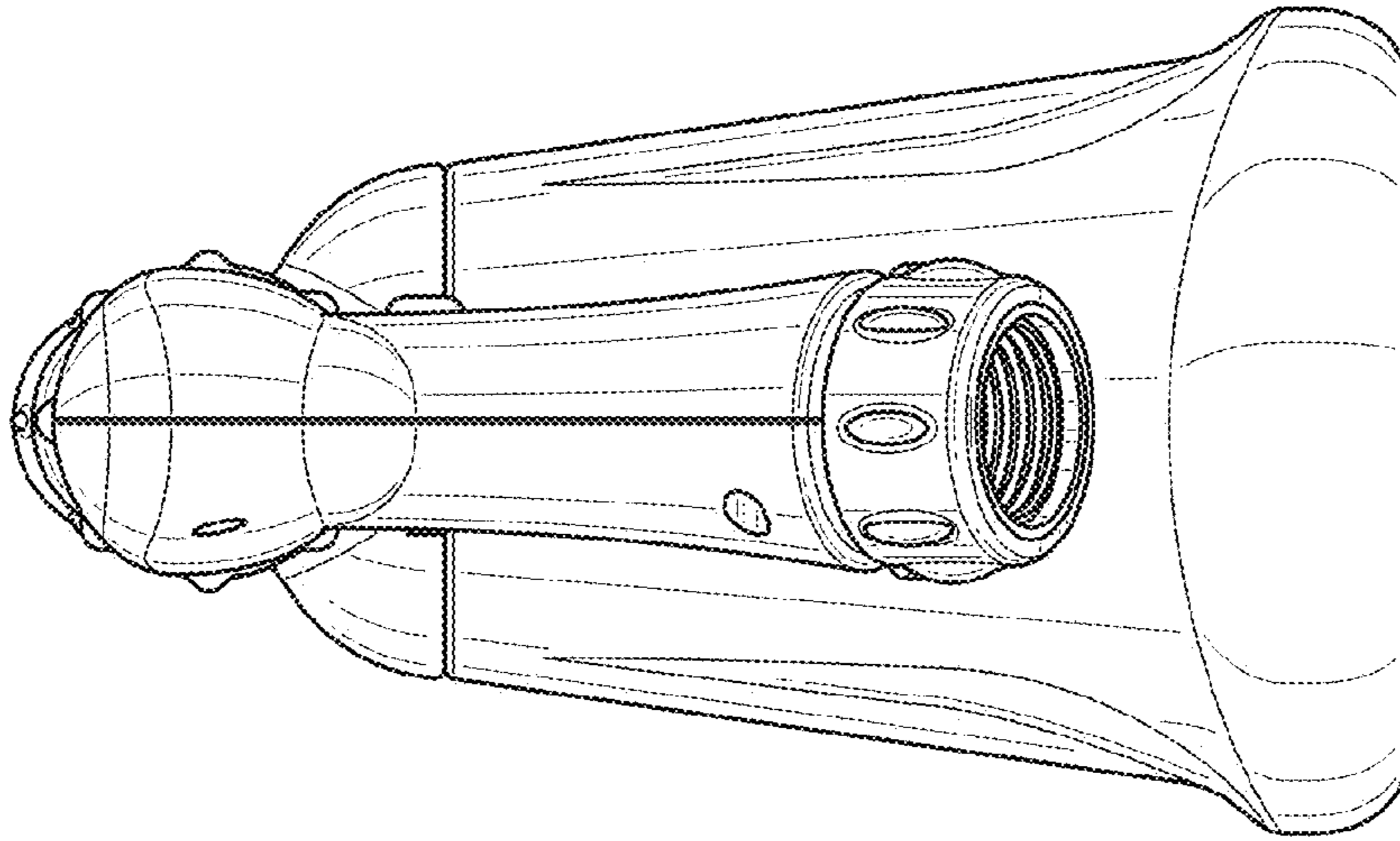


FIG. 3

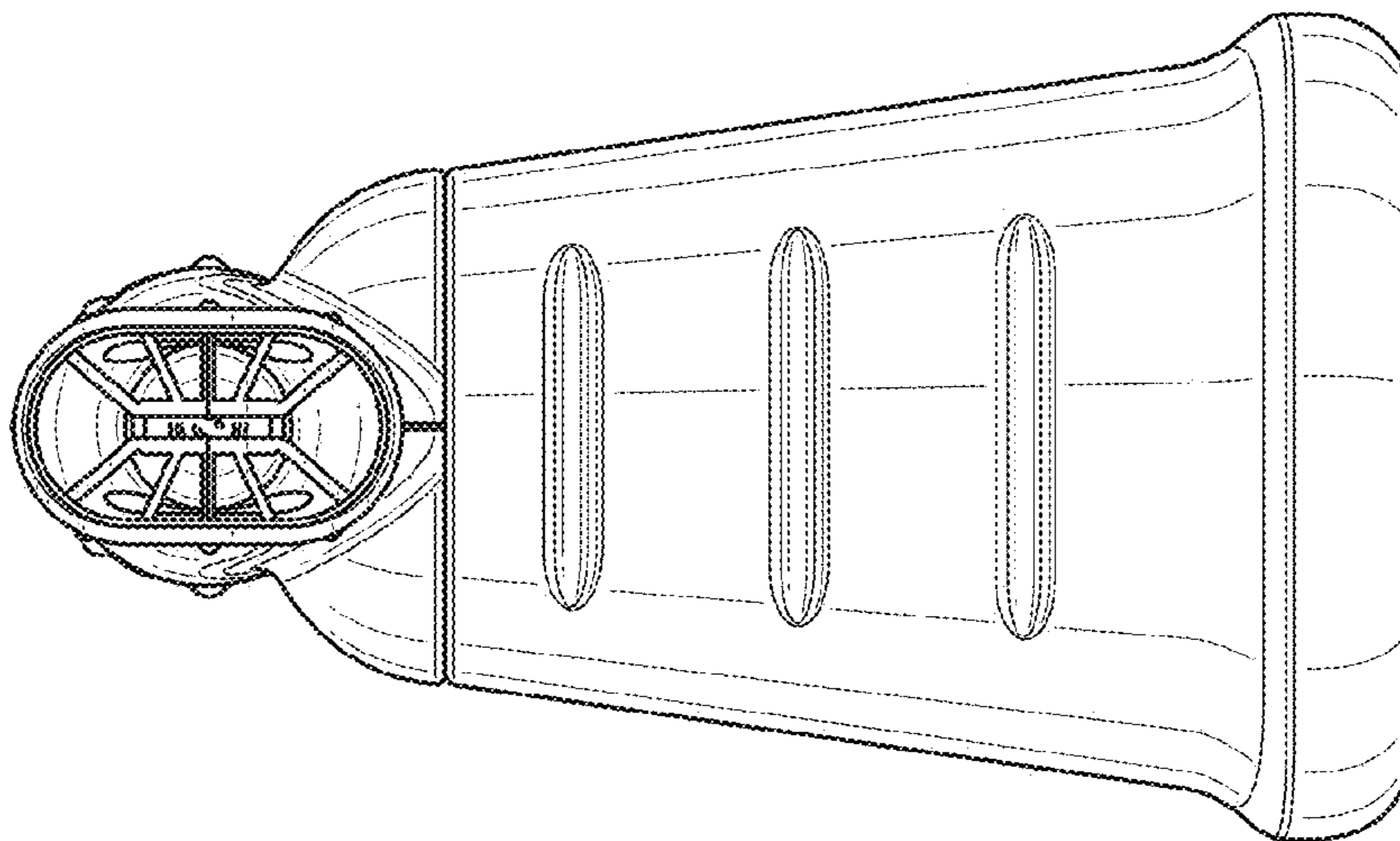


FIG. 2

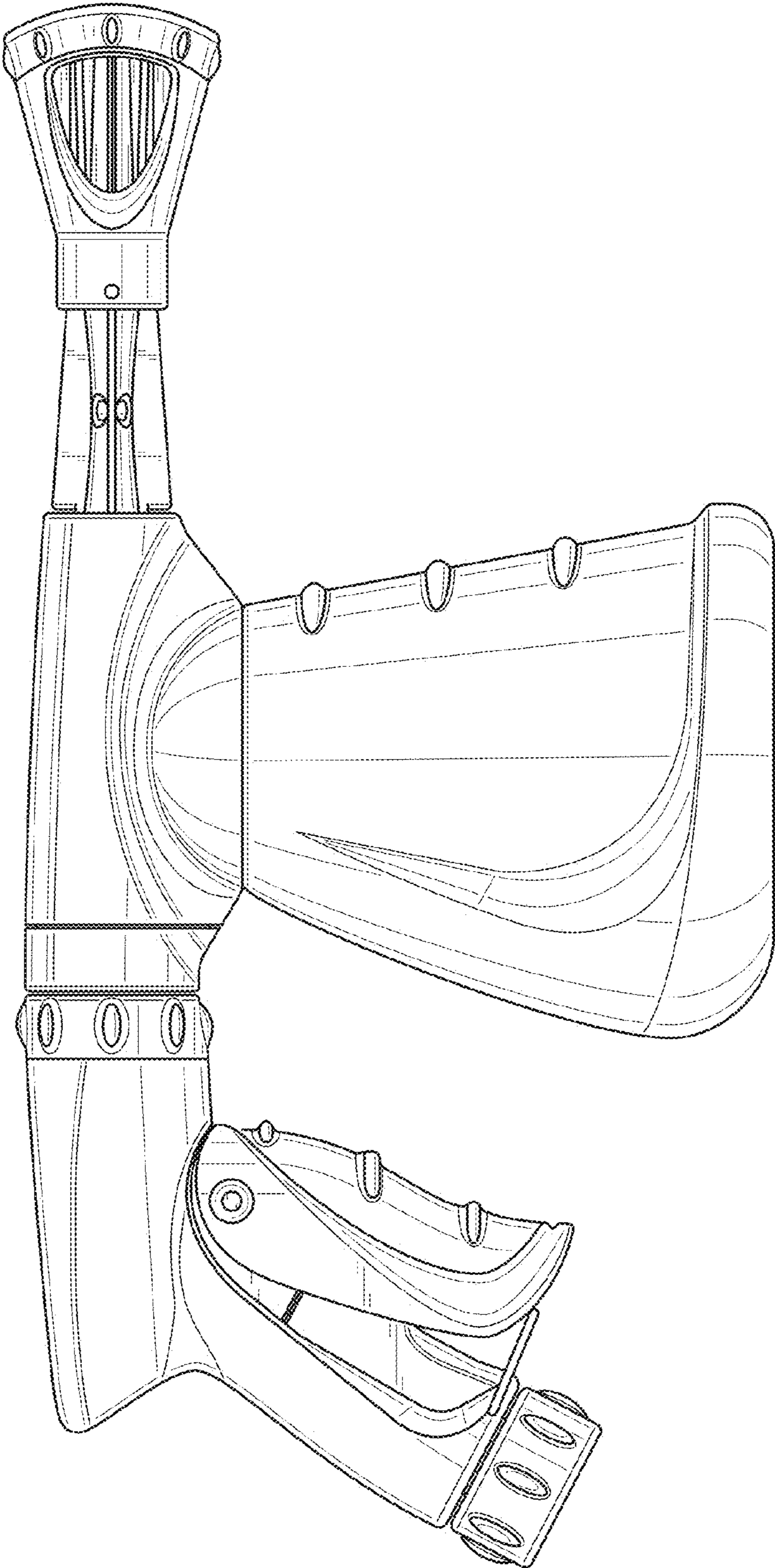


FIG. 4

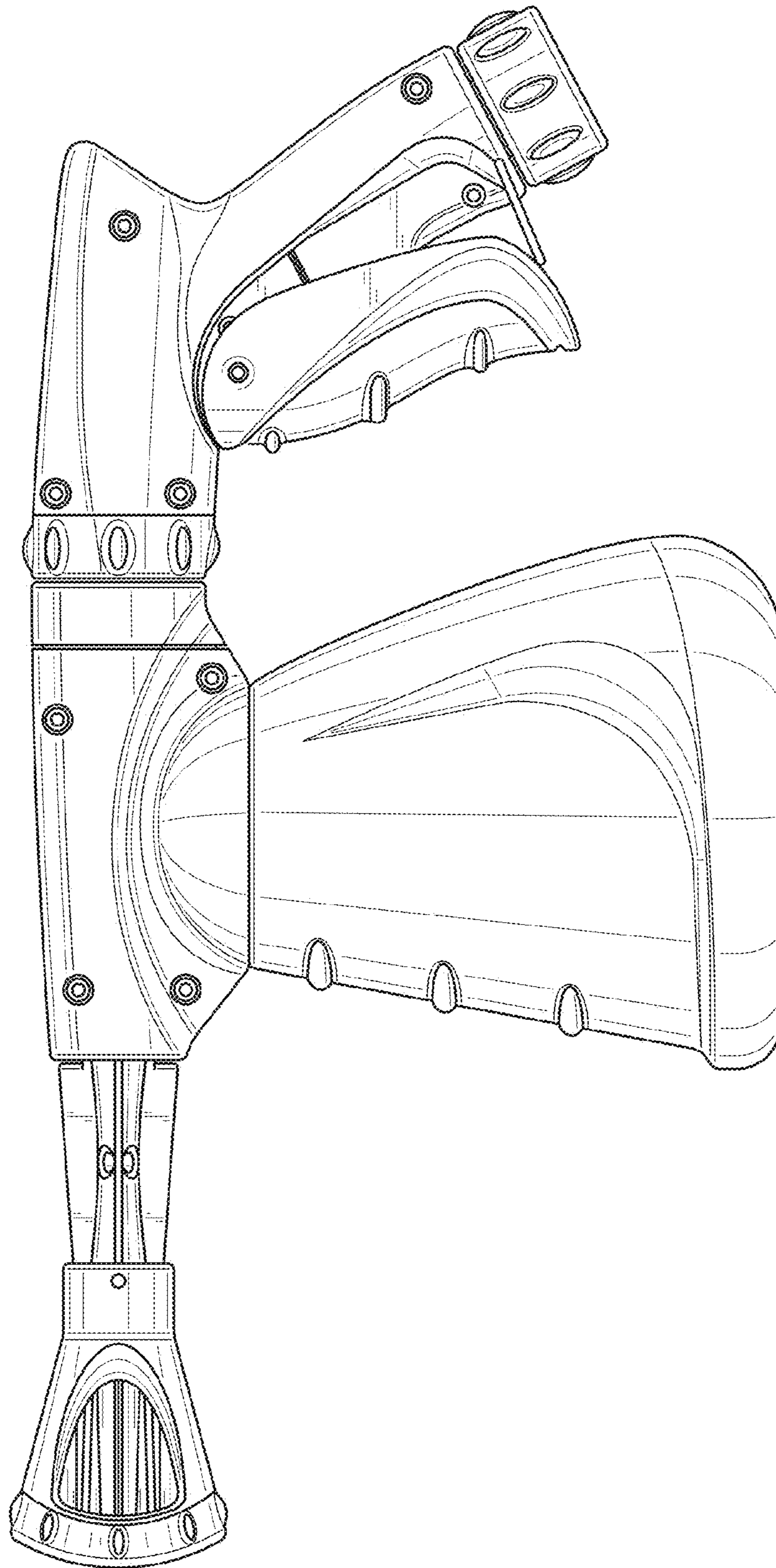


FIG. 5

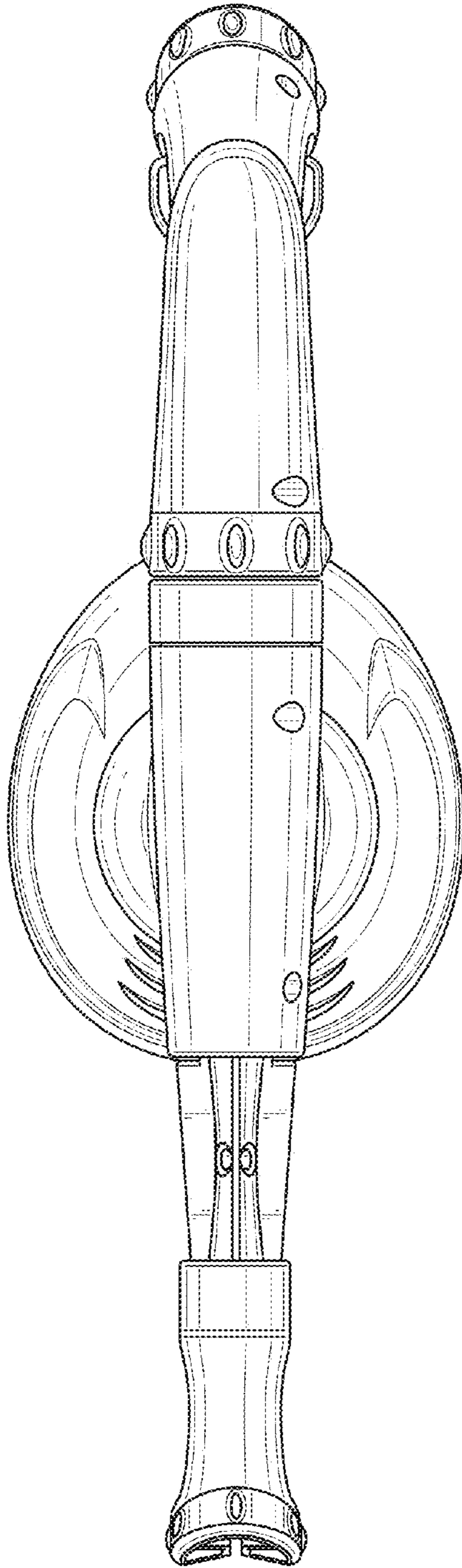


FIG. 6

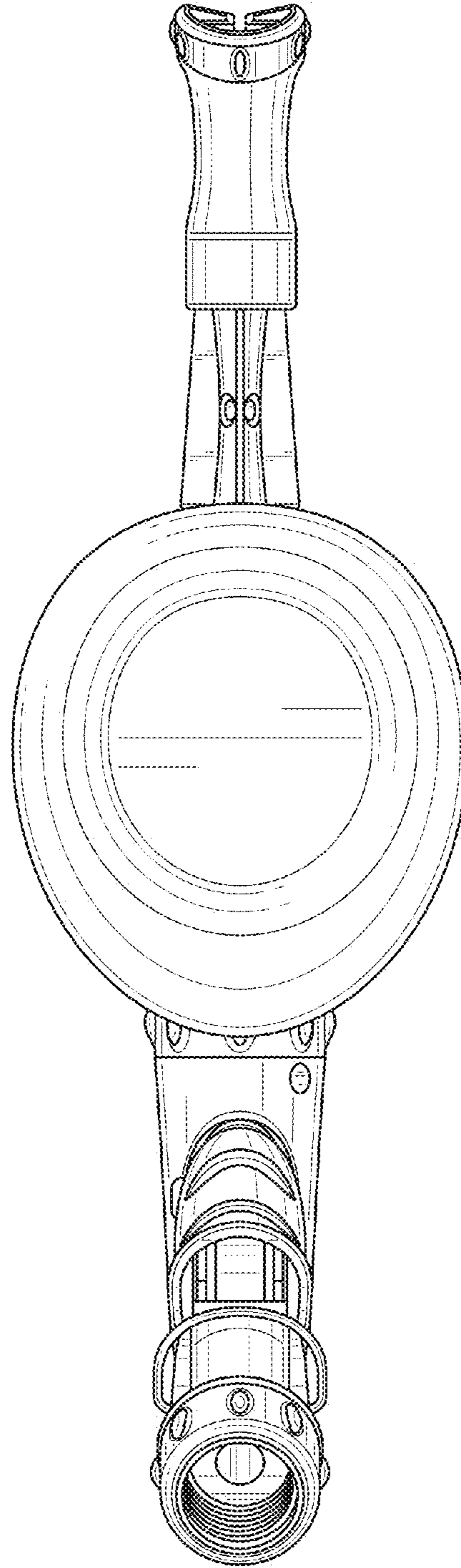


FIG. 7