

US00D742994S

(12) **United States Design Patent**  
**Mackay**

(10) **Patent No.:** **US D742,994 S**

(45) **Date of Patent:** **\*\* Nov. 10, 2015**

(54) **INSECT TRAP**

(71) Applicant: **Maxtech Mosquito Control Inc.,**  
Waterloo (CA)

(72) Inventor: **Timothy Mackay,** Kitchener (CA)

(73) Assignee: **MAXTECH MOSQUITO CONTROL**  
**INC.,** Waterloo (CA)

(\*\*) Term: **14 Years**

(21) Appl. No.: **29/488,738**

(22) Filed: **Apr. 23, 2014**

(51) **LOC (10) Cl.** ..... **22-06**

(52) **U.S. Cl.**  
USPC ..... **D22/122**

(58) **Field of Classification Search**  
USPC ..... D22/119–125; 43/85, 88, 90–92, 107,  
43/112–114, 124, 131, 132.1, 139

See application file for complete search history.

(56) **References Cited**

U.S. PATENT DOCUMENTS

D465,543 S *	11/2002	Bertani .....	D22/123
D544,566 S *	6/2007	Lin .....	D22/122
D581,479 S *	11/2008	Caserta et al. ....	D22/123
D669,151 S *	10/2012	Frisch .....	D22/122

\* cited by examiner

*Primary Examiner* — Catheri Oliver-Garcia

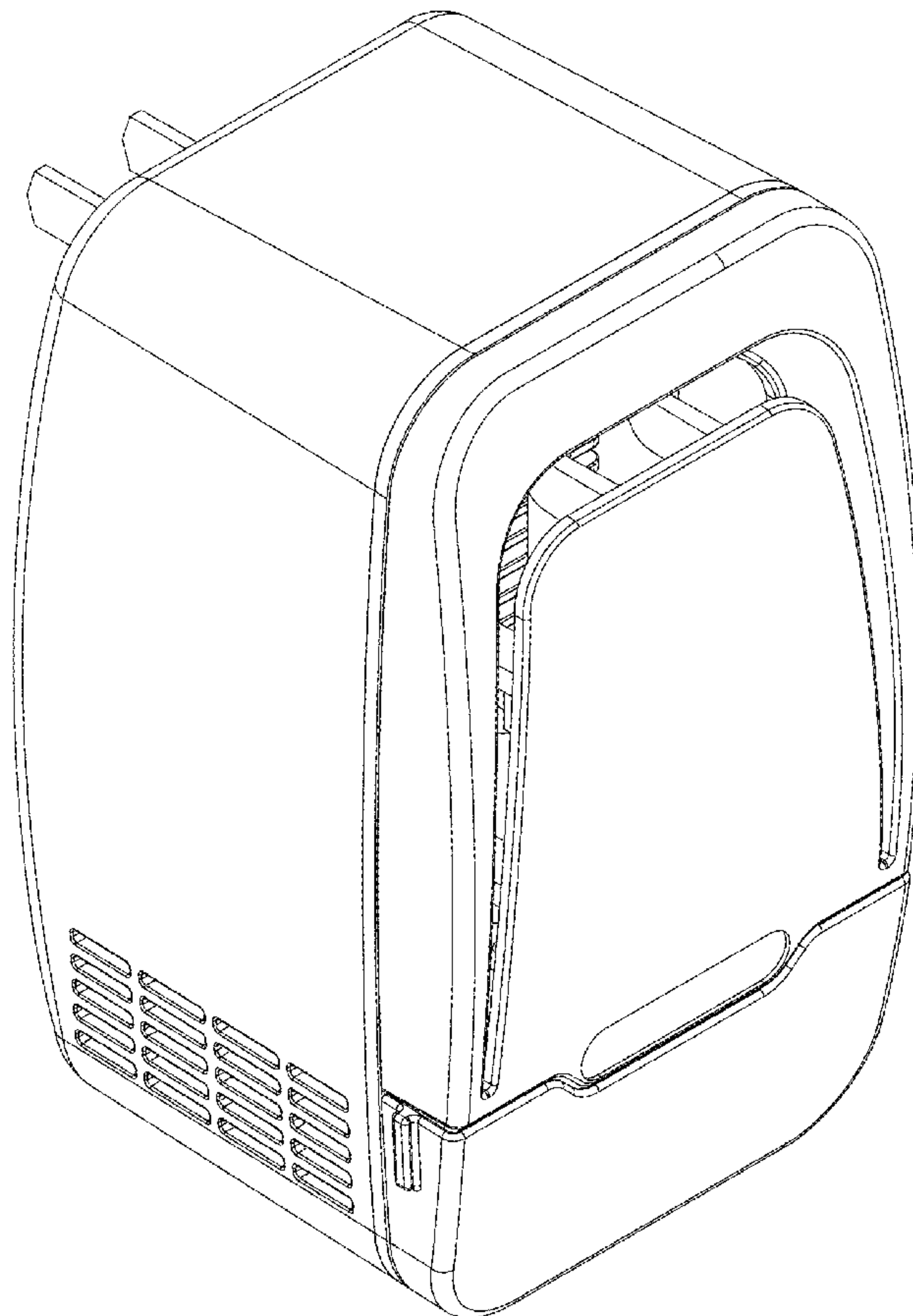
(57) **CLAIM**

The ornamental design for an insect trap, as shown and described.

**DESCRIPTION**

FIG. 1: is a rear elevation view of the insect trap according to my invention;  
FIG. 2: is a right side elevation view thereof;  
FIG. 3: is a front elevation view thereof;  
FIG. 4: is a left side elevation view thereof;  
FIG. 5: is a top plan view thereof;  
FIG. 6: is a bottom plan view thereof; and,  
FIG. 7: is a perspective view thereof.

**1 Claim, 7 Drawing Sheets**



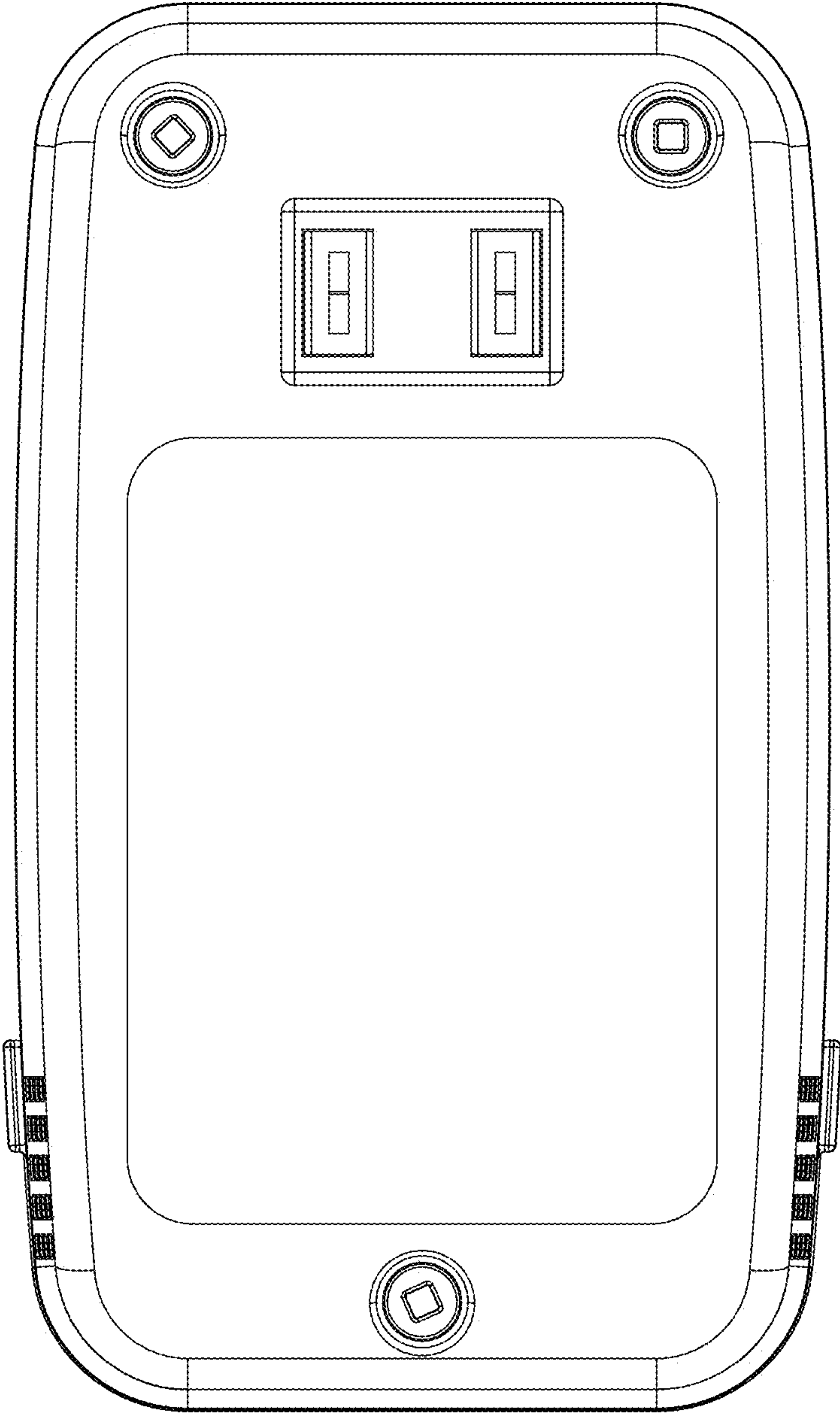


Fig. 1

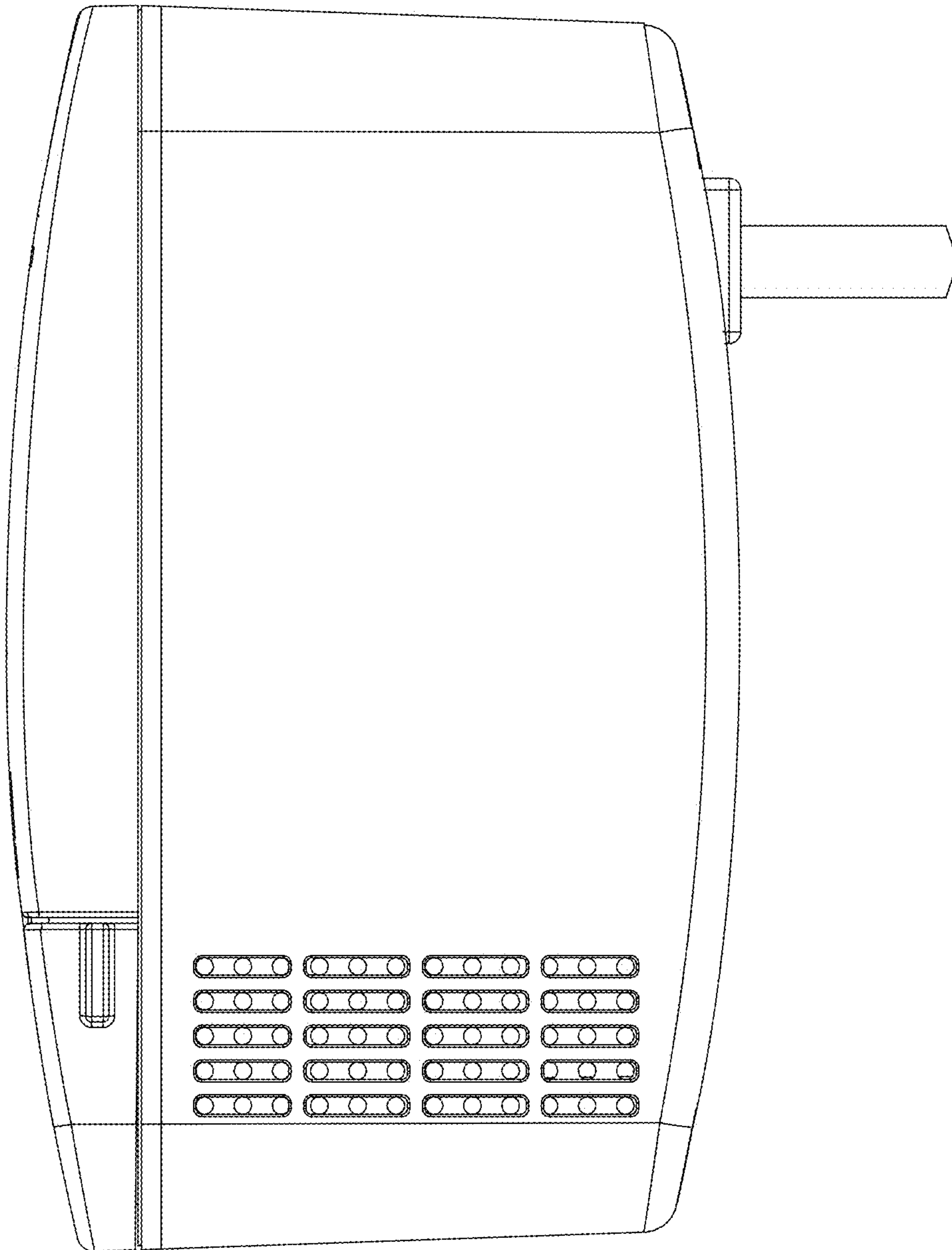


Fig.2

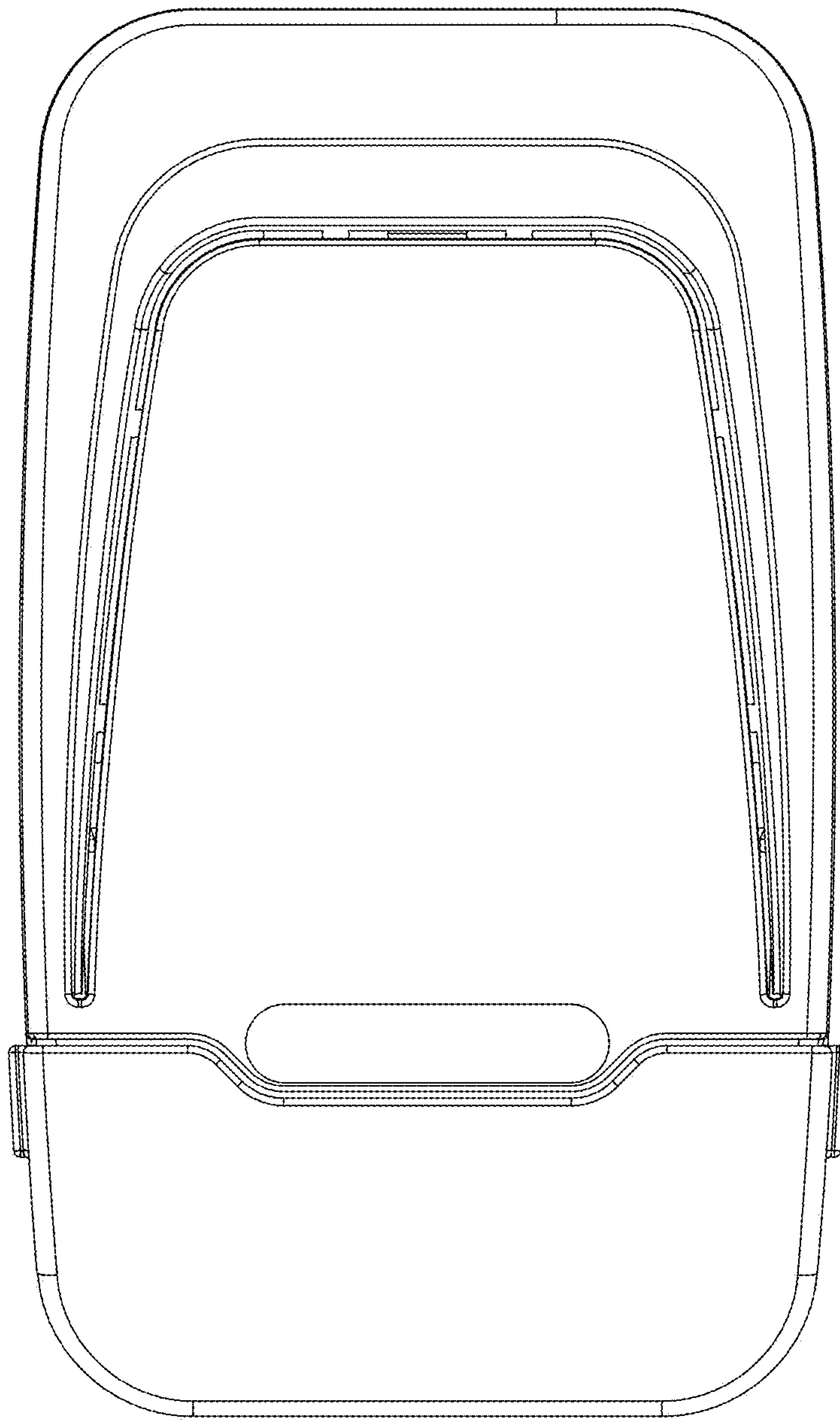


Fig. 3

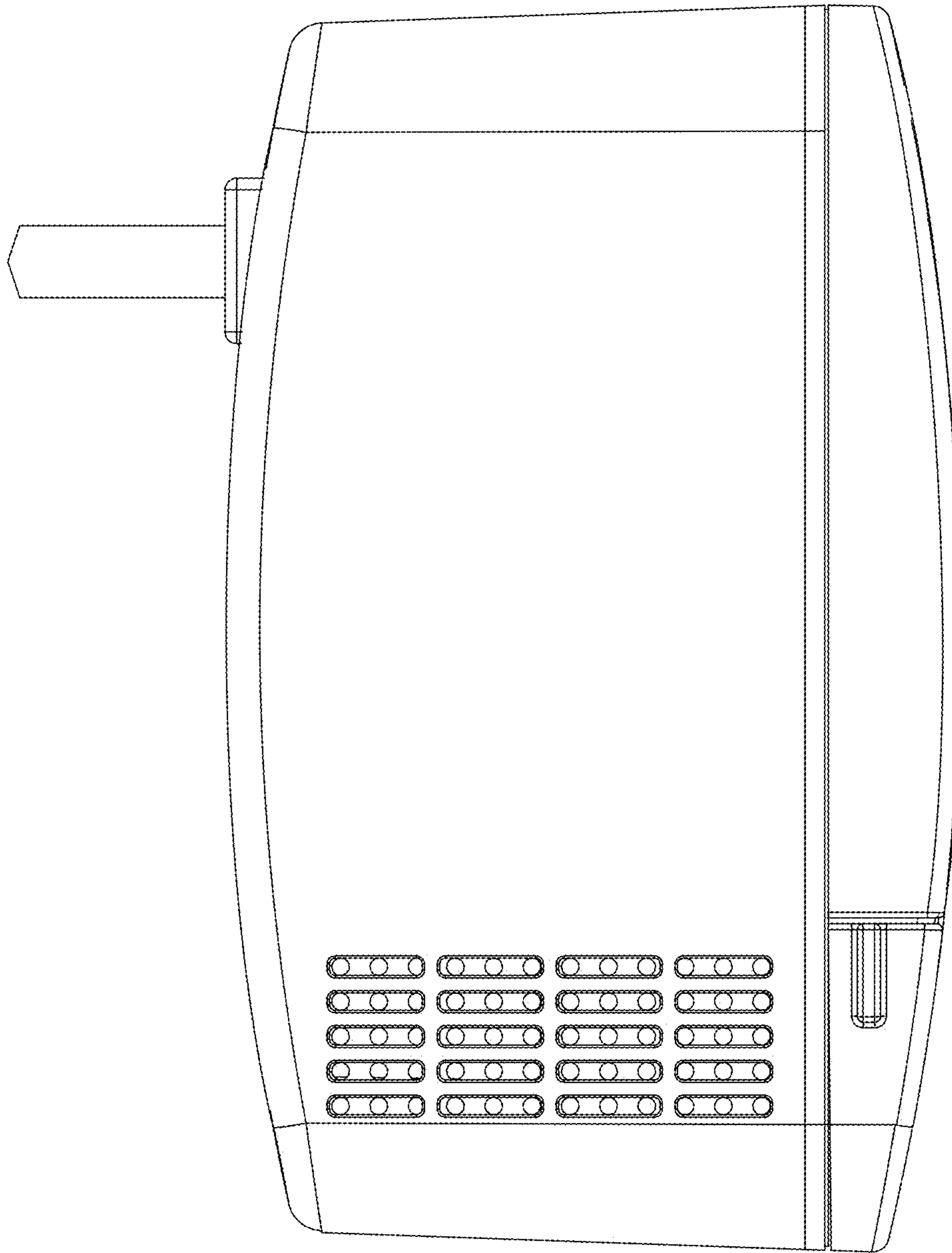


Fig. 4

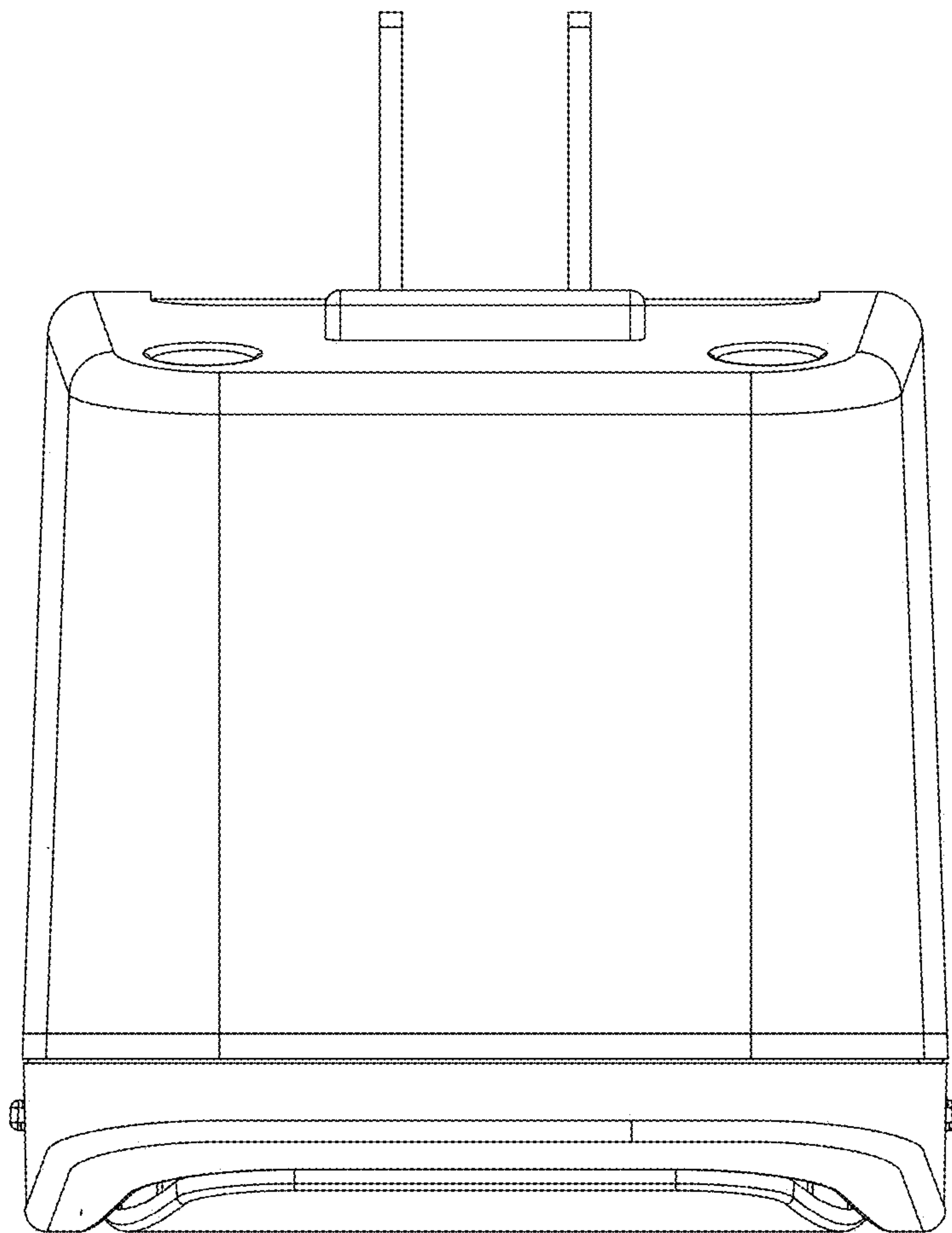


Fig. 5



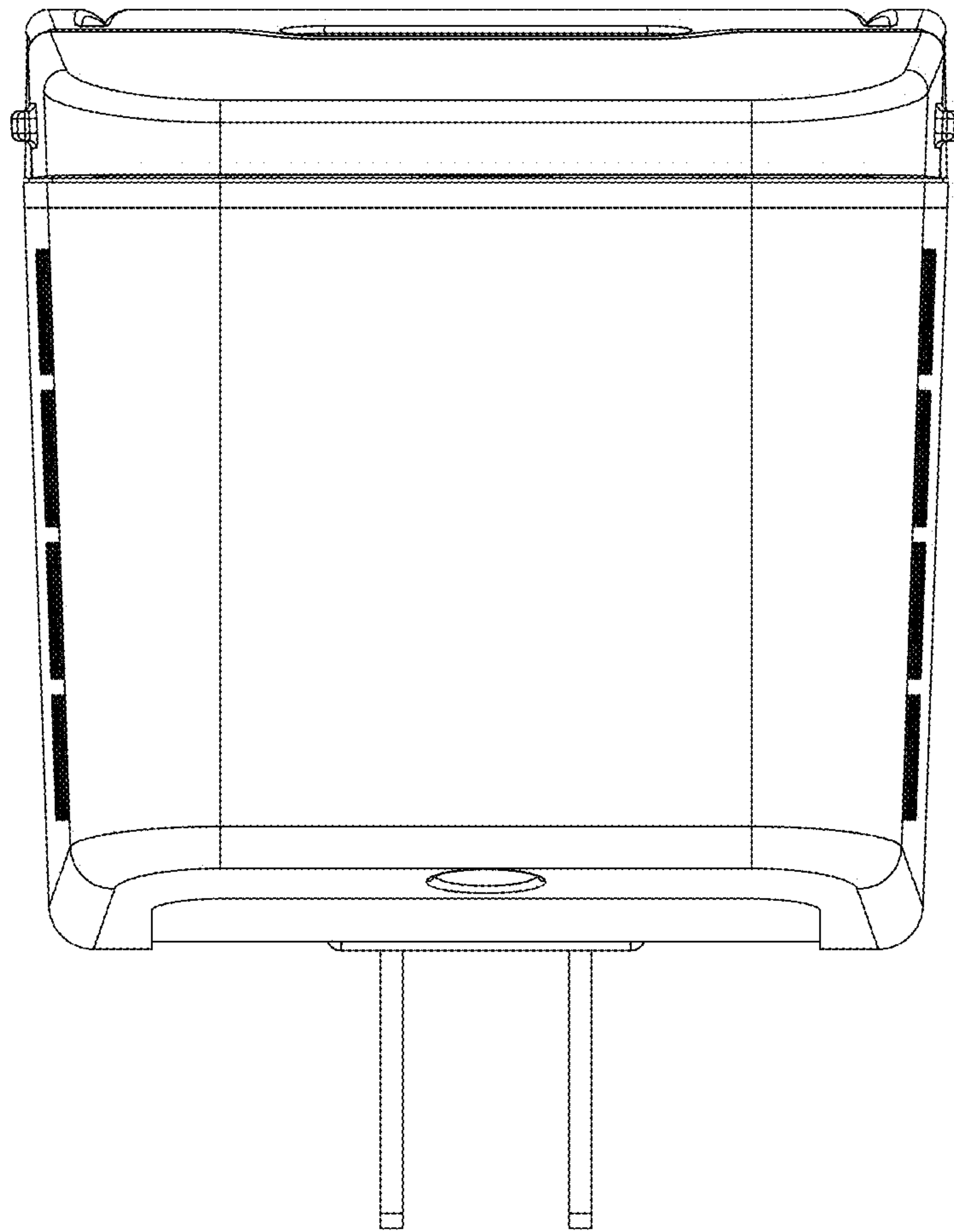


Fig. 6

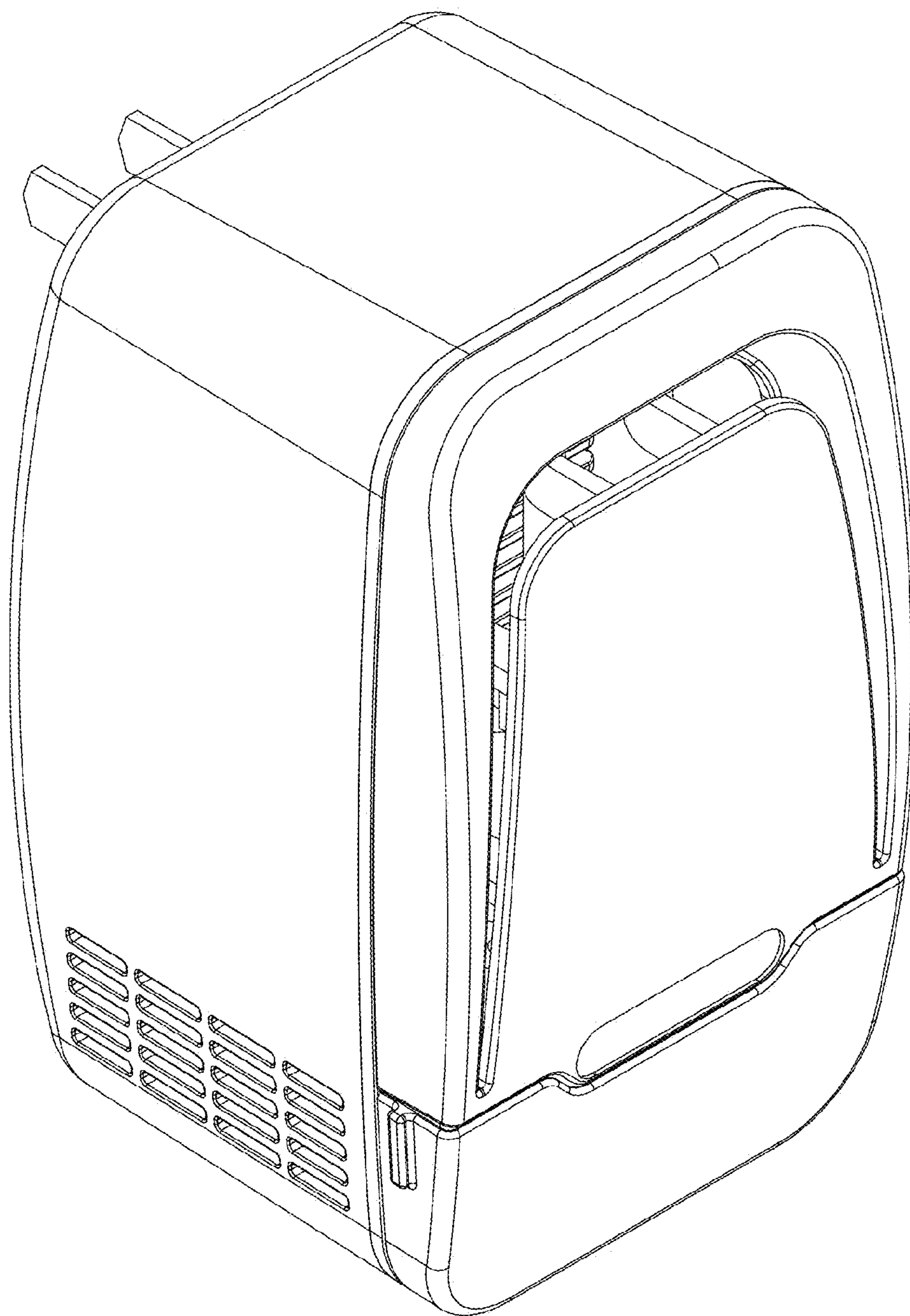


Fig. 7