



US00D742992S

(12) **United States Design Patent**  
**Arnedo Vera et al.**

(10) **Patent No.:** **US D742,992 S**

(45) **Date of Patent:** **\*\* Nov. 10, 2015**

(54) **SIGHT**

(71) Applicant: **GAMO OUTDOOR, S.L.**, Sant Boi de Llobregat (ES)

(72) Inventors: **Julian Arnedo Vera**, Sant Boi de Llobregat (ES); **Victor Tresserras Torre**, Sant Boi de Llobregat (ES)

(73) Assignee: **GAMO OUTDOOR, S.L.**, Sant Boi de Llobregat (Barcelona) (ES)

(\*\*) Term: **14 Years**

(21) Appl. No.: **29/490,154**

(22) Filed: **May 7, 2014**

(30) **Foreign Application Priority Data**

Dec. 2, 2013 (EM) ..... 002363275-0001

(51) **LOC (10) Cl.** ..... **22-01**

(52) **U.S. Cl.**  
USPC ..... **D22/109**

(58) **Field of Classification Search**  
USPC ..... D22/108-109; 89/111-113; 359/399, 359/823, 744; 42/104, 105, 111-113, 116, 42/120, 124-126, 127-129, 141-148, 42/133-140; 33/227, 229  
CPC ..... F41G 1/00; F41G 1/01; F41G 1/02; F41G 1/06; F41G 1/065; F41G 1/08; F41G 1/10; F41G 1/12; F41G 1/14; F41G 1/30; F41G 1/32; F41G 1/38; F41G 1/40; F41G

1/42; F41G 1/44; F41G 1/46; F41G 1/383; F41G 1/387; F41G 1/393; F41G 3/00; F41G 3/005; F41G 3/02; F41G 3/04; F41G 3/06; F41G 3/14; F41G 11/002; F41G 11/003; F41G 11/004; F41G 11/005

See application file for complete search history.

(56) **References Cited**

U.S. PATENT DOCUMENTS

D613,813 S \* 4/2010 Larsson ..... D22/109  
2015/0198415 A1 \* 7/2015 Campean ..... D22/109  
2015/0198421 A1 \* 7/2015 Crispin ..... D22/109

\* cited by examiner

*Primary Examiner* — Michael A Pratt

(74) *Attorney, Agent, or Firm* — Knobbe Martens Olson & Bear LLP

(57) **CLAIM**

The ornamental design for sight, as shown and described.

**DESCRIPTION**

FIG. 1 is a top perspective view of sight showing our new design.

FIG. 2 is a front elevational view thereof.

FIG. 3 is a left side elevational view thereof.

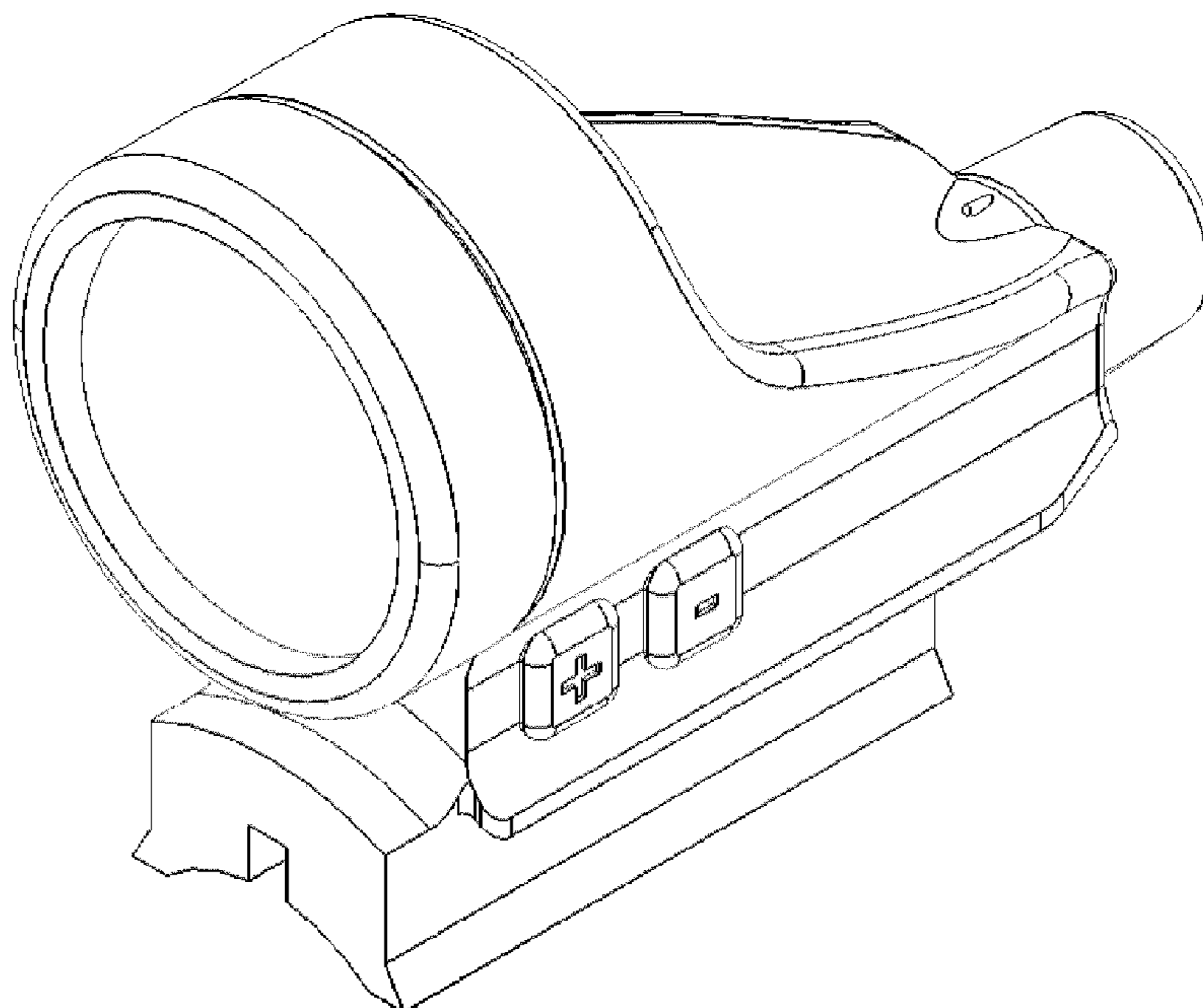
FIG. 4 is a rear elevational view thereof.

FIG. 5 is a top plan view thereof.

FIG. 6 is a right side elevational view thereof; and,

FIG. 7 is a top plan view thereof.

**1 Claim, 7 Drawing Sheets**



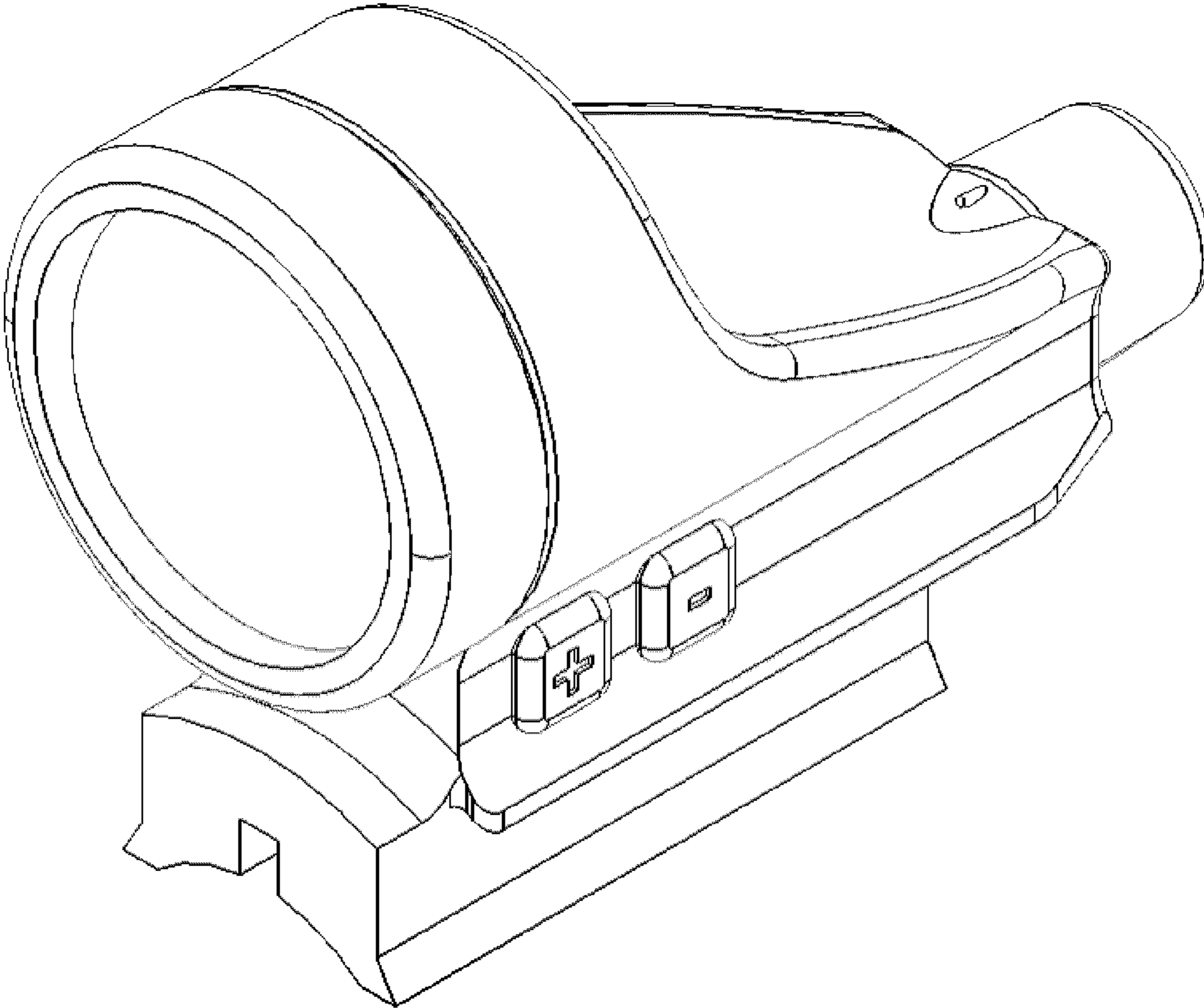


FIGURE 1

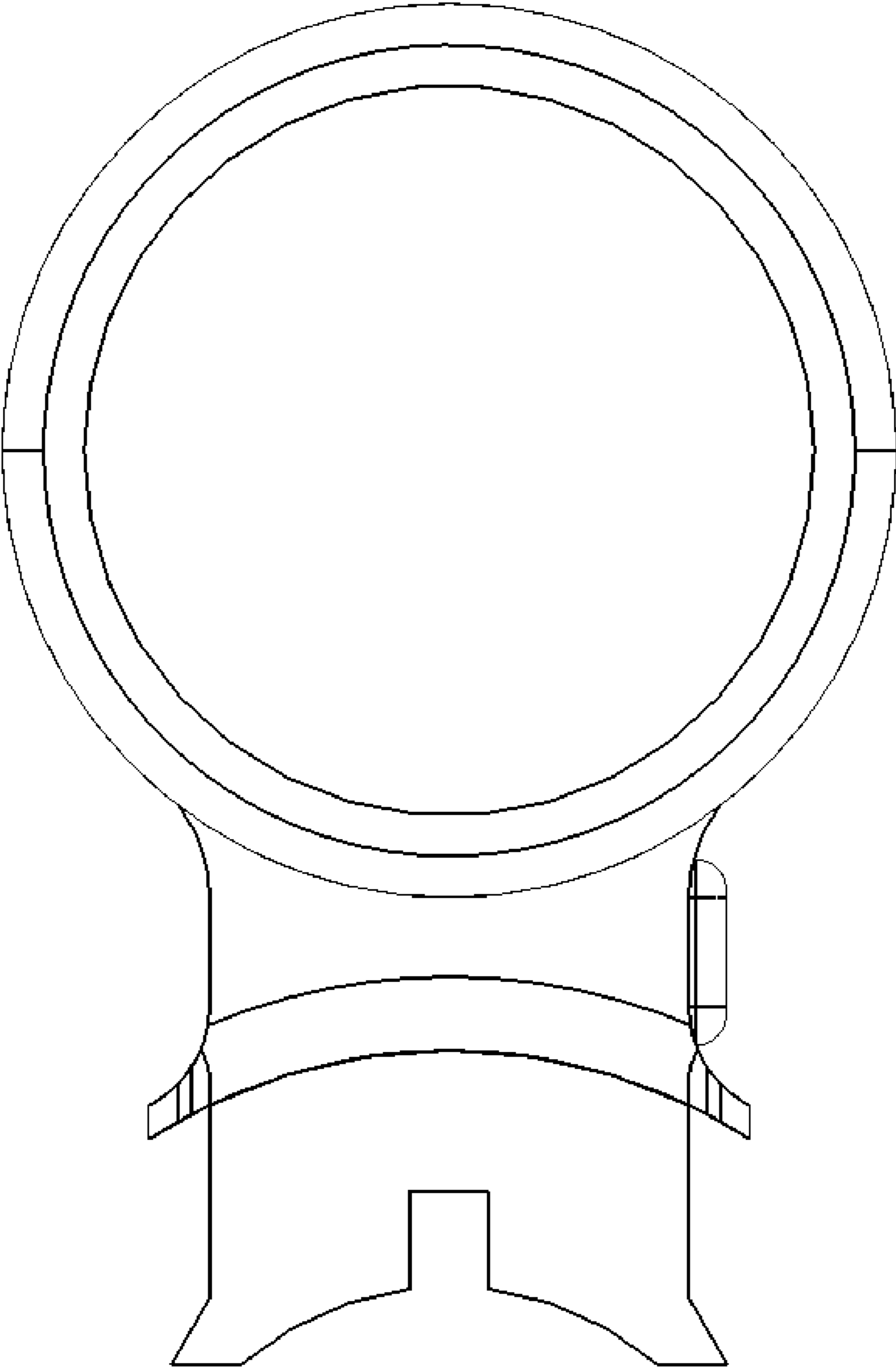


FIGURE 2

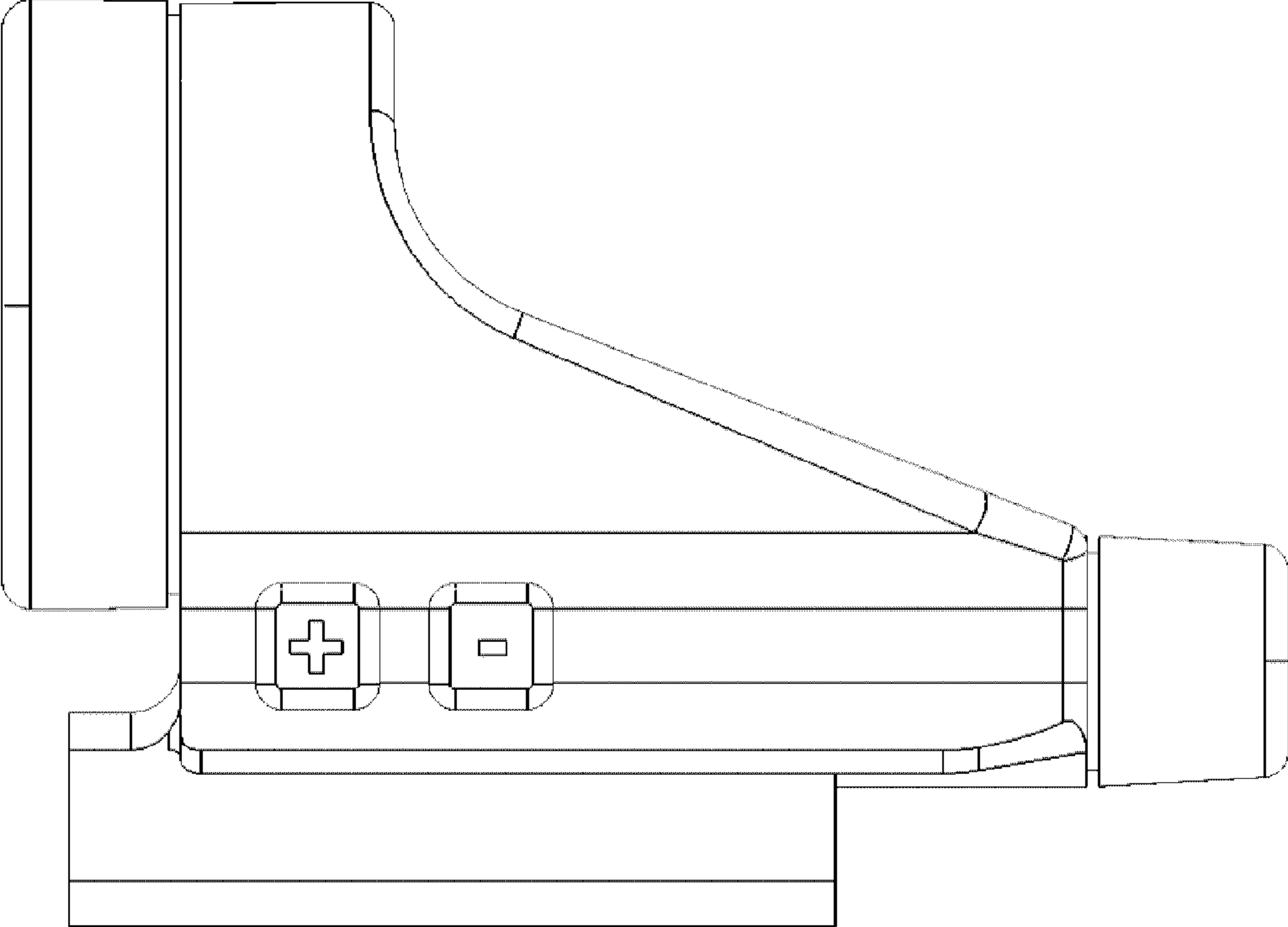


FIGURE 3

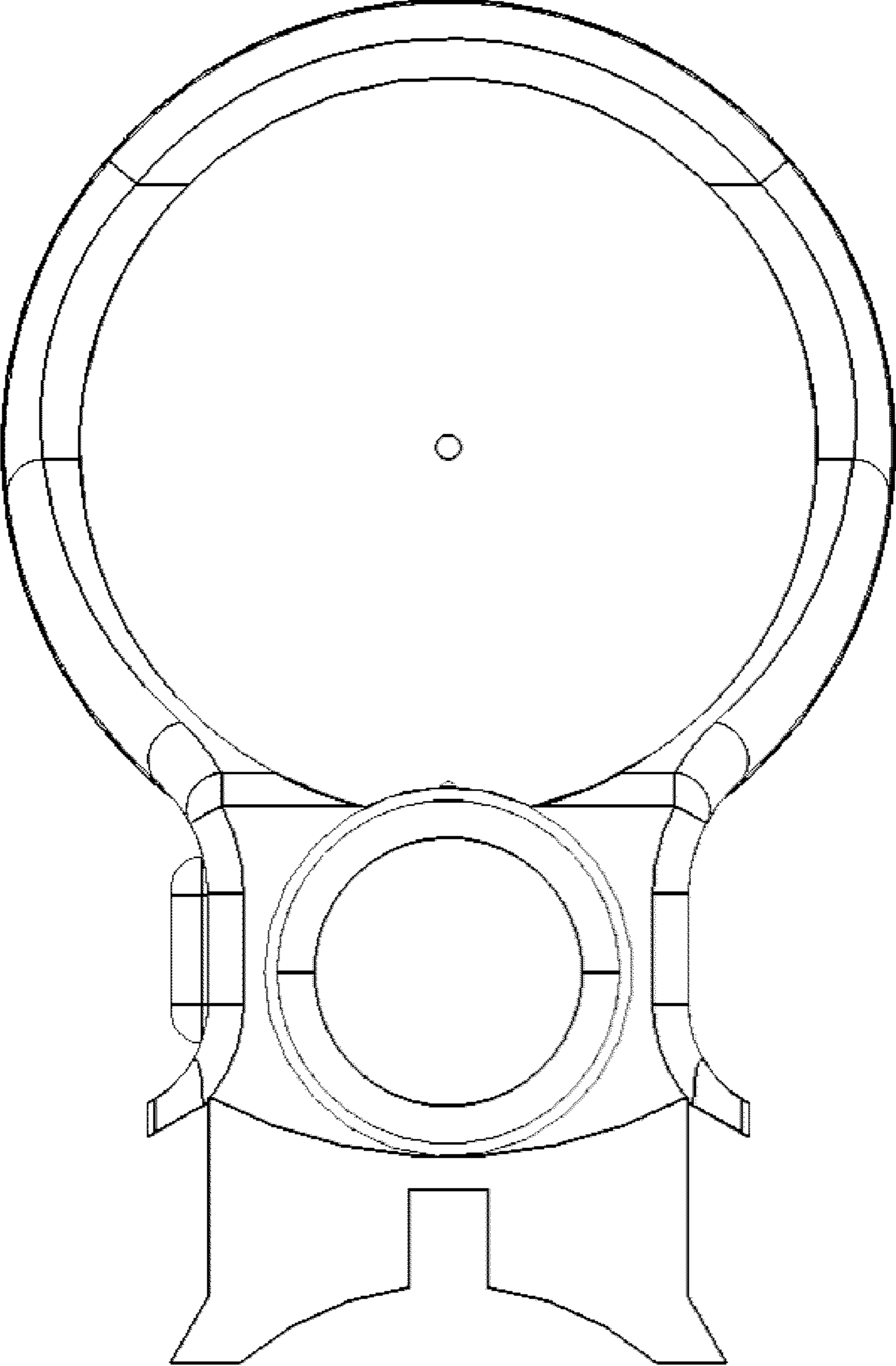


FIGURE 4

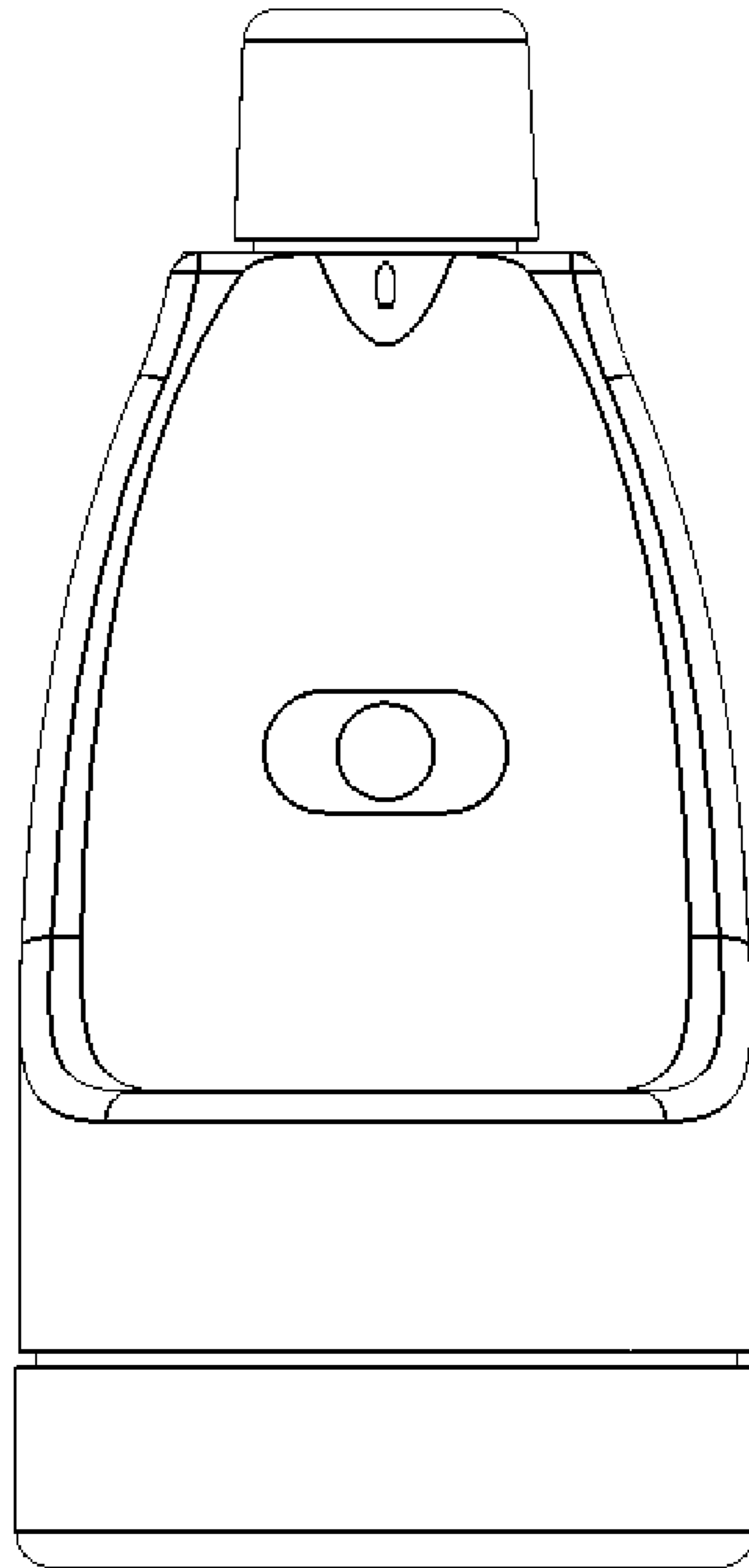


FIGURE 5

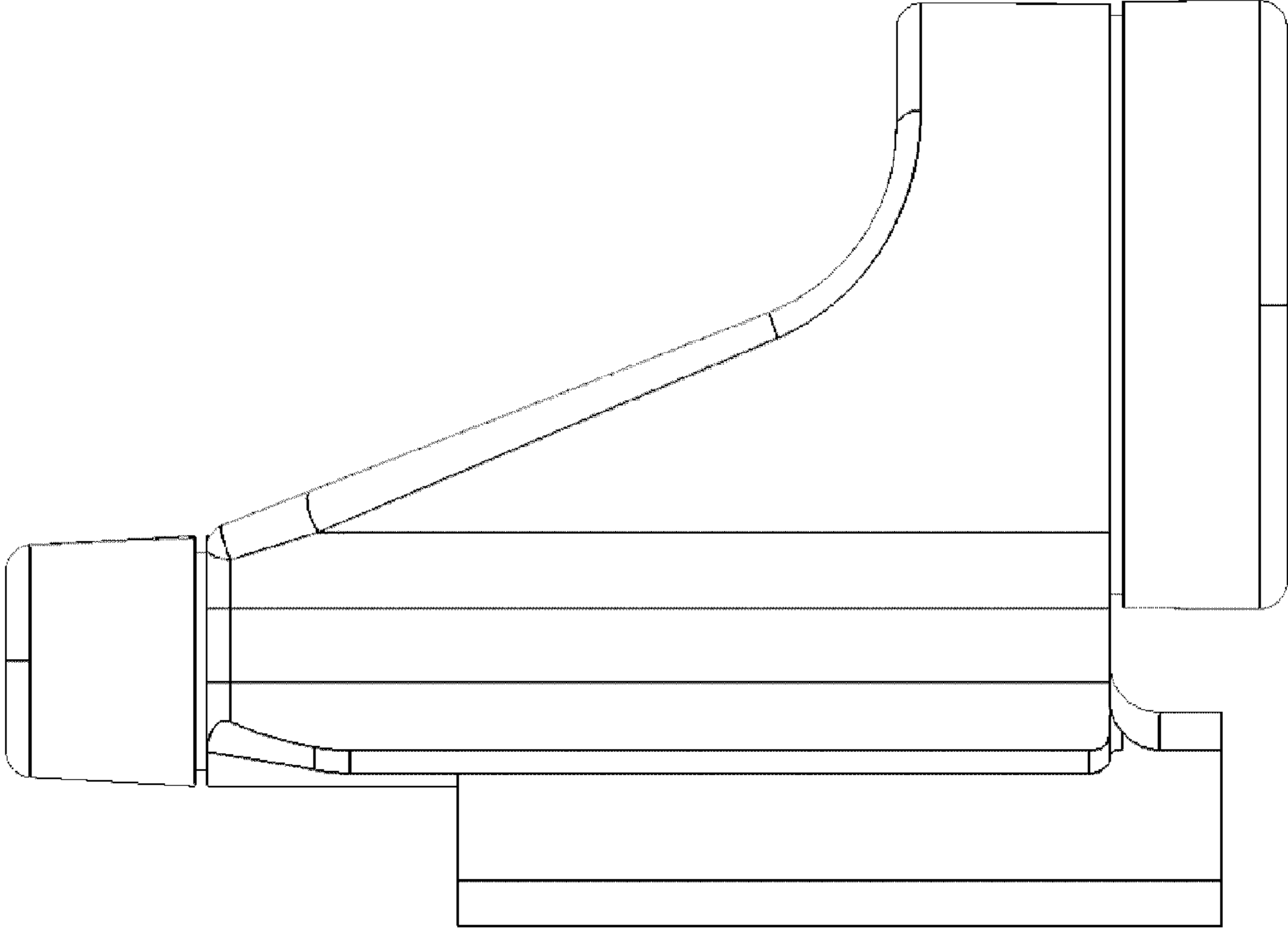


FIGURE 6

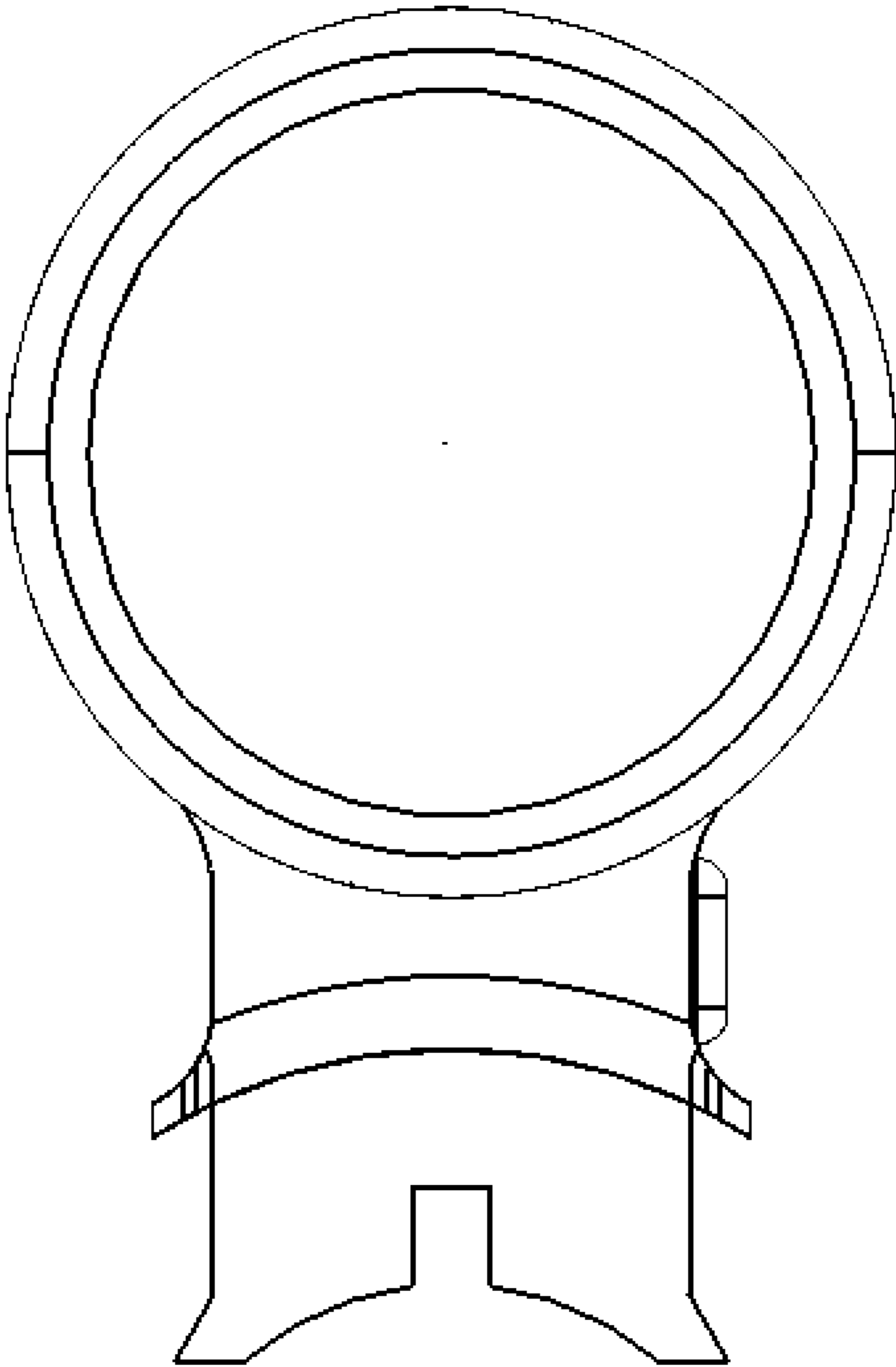


FIGURE 7