



US00D742991S

(12) **United States Design Patent**
Klecker et al.

(10) **Patent No.:** **US D742,991 S**

(45) **Date of Patent:** **** Nov. 10, 2015**

(54) **LASER DEVICE**

(71) Applicant: **Crimson Trace Corporation**,
Wilsonville, OR (US)

(72) Inventors: **Glenn Klecker**, Silverton, OR (US);
William Johnston, Sherwood, OR (US);
Fred Karl, Tigard, OR (US)

(73) Assignee: **Crimson Trace Corporation**,
Wilsonville, OR (US)

(**) Term: **14 Years**

(21) Appl. No.: **29/483,625**

(22) Filed: **Feb. 28, 2014**

(51) **LOC (10) Cl.** **22-01**

(52) **U.S. Cl.**
USPC **D22/109**

(58) **Field of Classification Search**
USPC D22/108–109; 42/111–128; 89/1.61,
89/200–204; 356/247–256
CPC F41G 1/00; F41G 1/01; F41G 1/02;
F41G 1/06; F41G 1/065; F41G 1/08; F41G
1/10; F41G 1/12; F41G 1/14; F41G 1/30;
F41G 1/32; F41G 1/38; F41G 1/40; F41G
1/42; F41G 1/44; F41G 1/46; F41G 1/383;
F41G 1/387; F41G 1/393; F41G 3/00; F41G
3/005; F41G 3/02; F41G 3/04; F41G 3/06;
F41G 3/14; F41G 11/002; F41G 11/003;
F41G 11/004; F41G 11/005

See application file for complete search history.

(56) **References Cited**

U.S. PATENT DOCUMENTS

D675,281	S *	1/2013	Speroni	D22/109
2007/0180752	A1 *	8/2007	Houde-Walter	42/114
2011/0185619	A1 *	8/2011	Finnegan et al.	42/117
2011/0232152	A1 *	9/2011	Thomas et al.	42/125

* cited by examiner

Primary Examiner — Michael A Pratt

(74) *Attorney, Agent, or Firm* — Schwabe, Williamson & Wyatt, P.C.

(57) **CLAIM**

We claim an ornamental design for a laser device, as shown and described.

DESCRIPTION

FIG. 1 is a perspective view of a laser device, showing my new design;

FIG. 2 is a front view thereof;

FIG. 3 is a rear view thereof;

FIG. 4 is a right side view thereof;

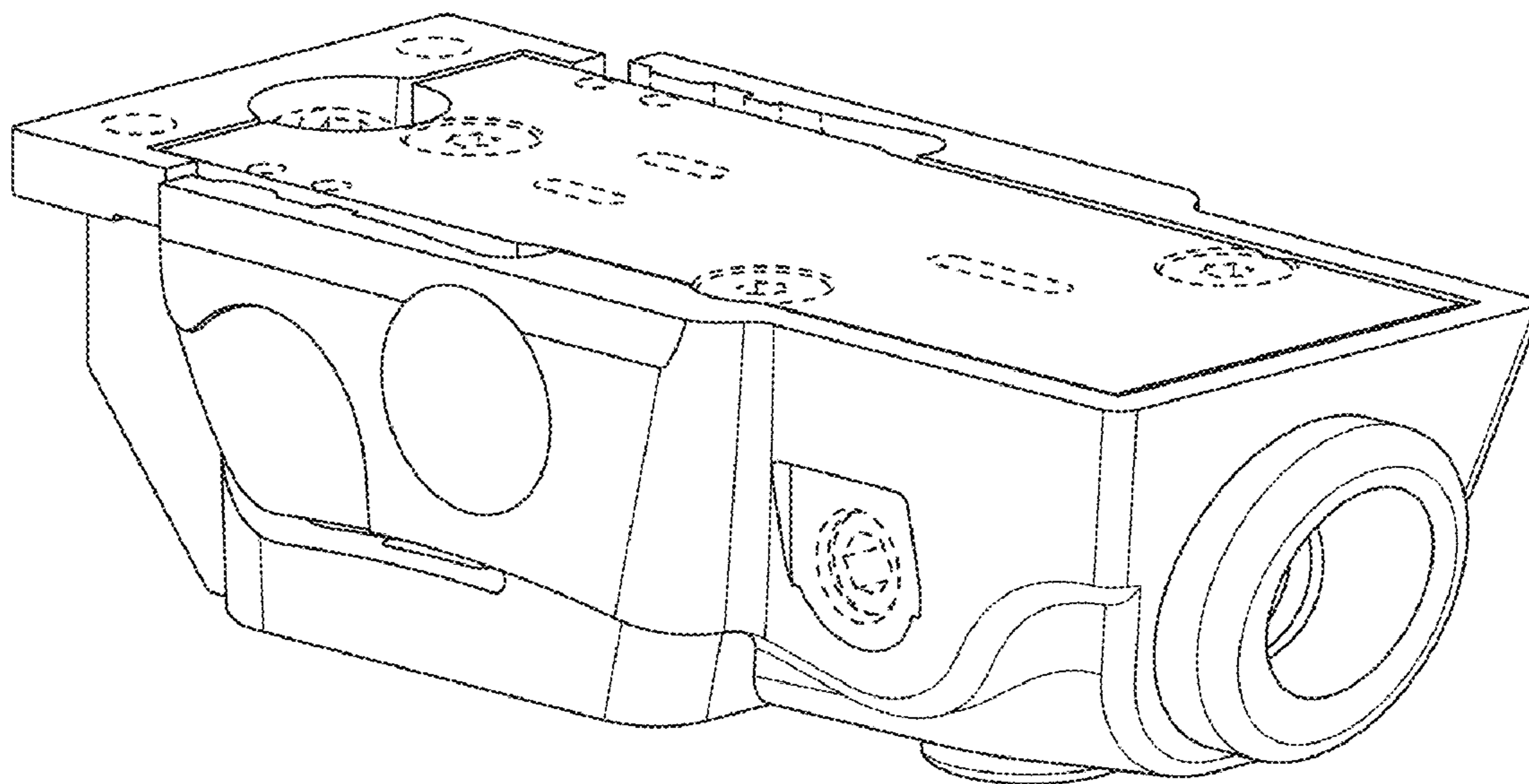
FIG. 5 is a left side view thereof;

FIG. 6 is a top view thereof; and,

FIG. 7 is a bottom view thereof.

The dashed lines are included for illustrating interior and/or environmental structures and form no part of the claimed design.

1 Claim, 4 Drawing Sheets



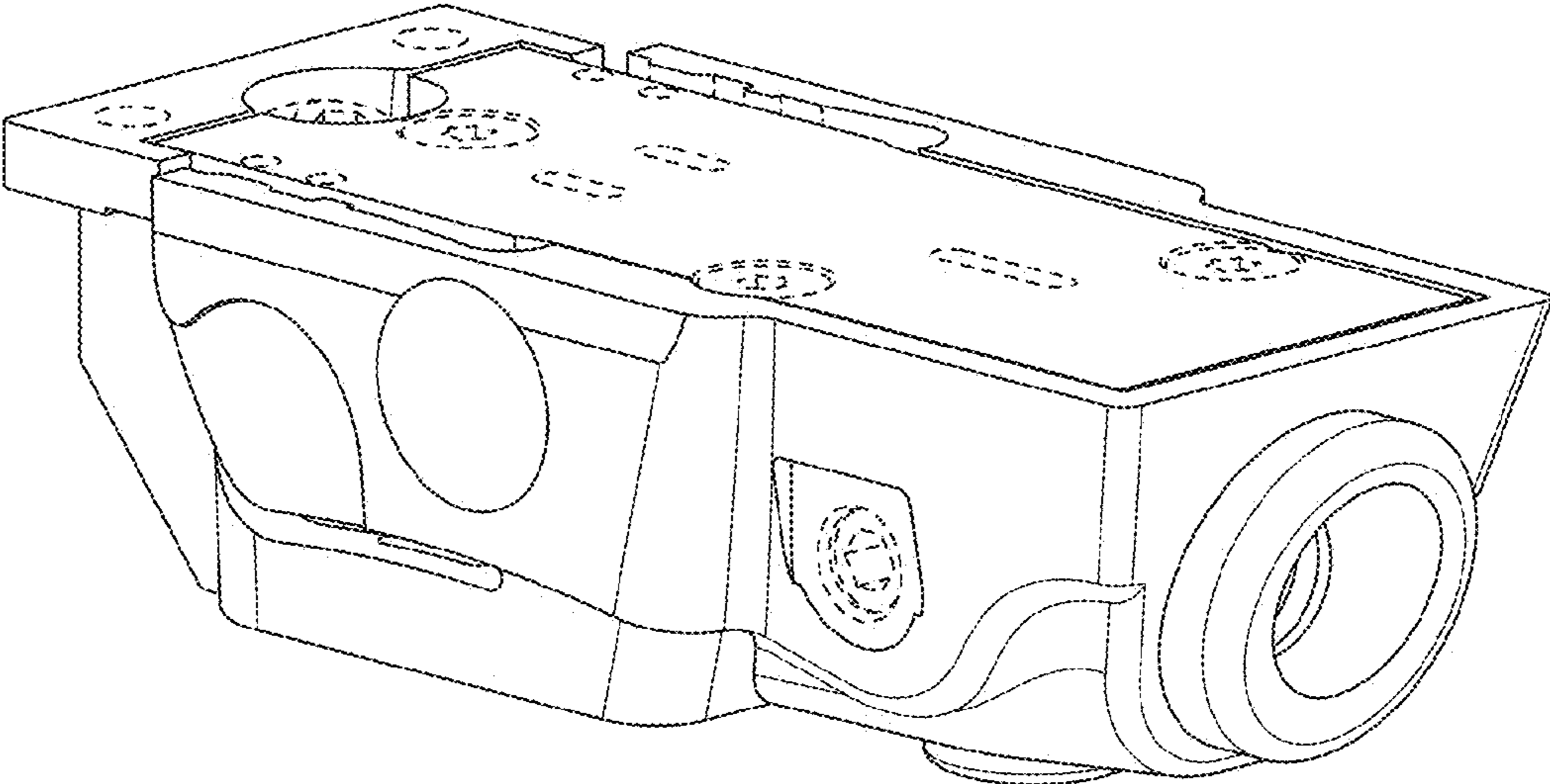


FIG. 1

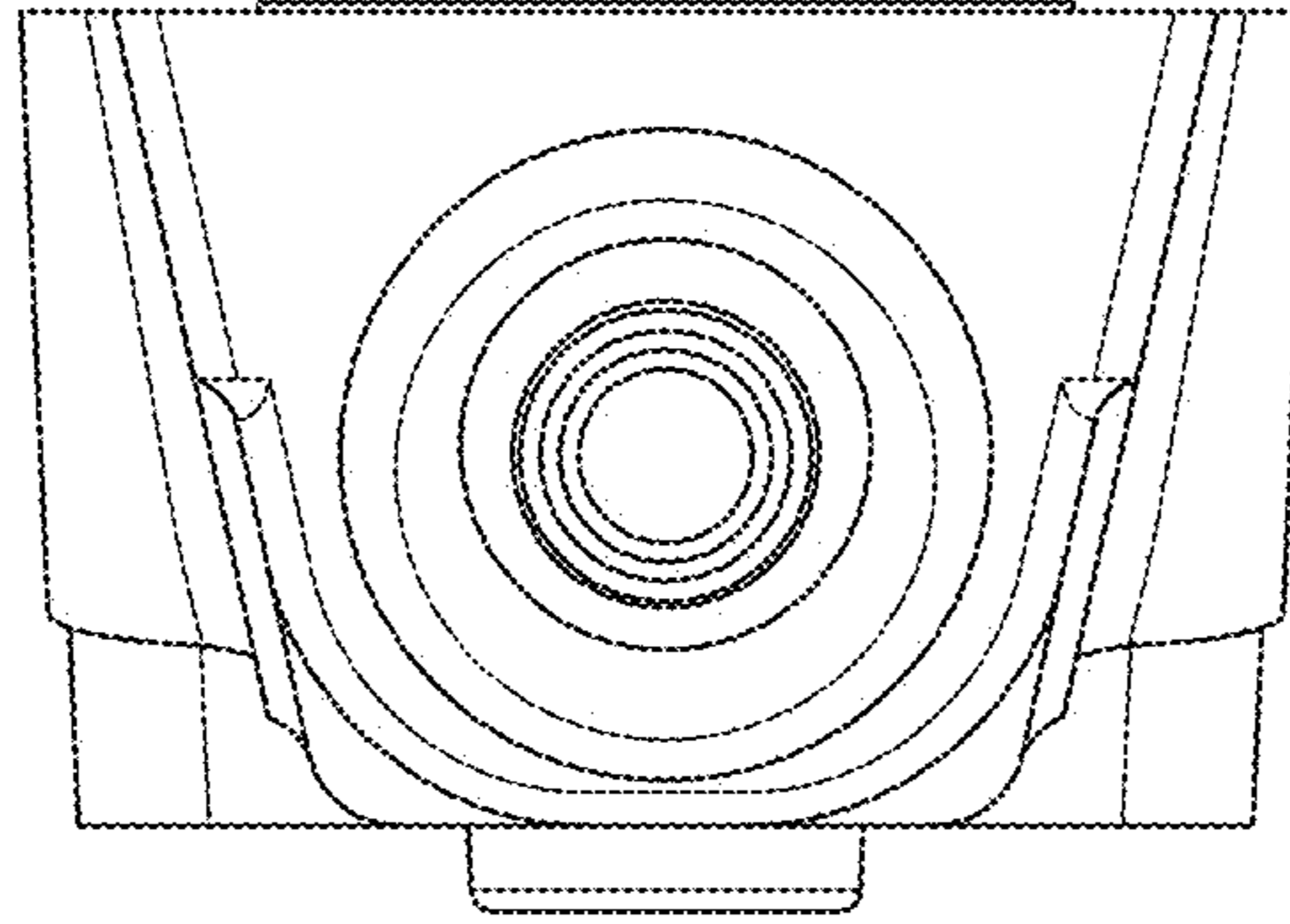


FIG. 2

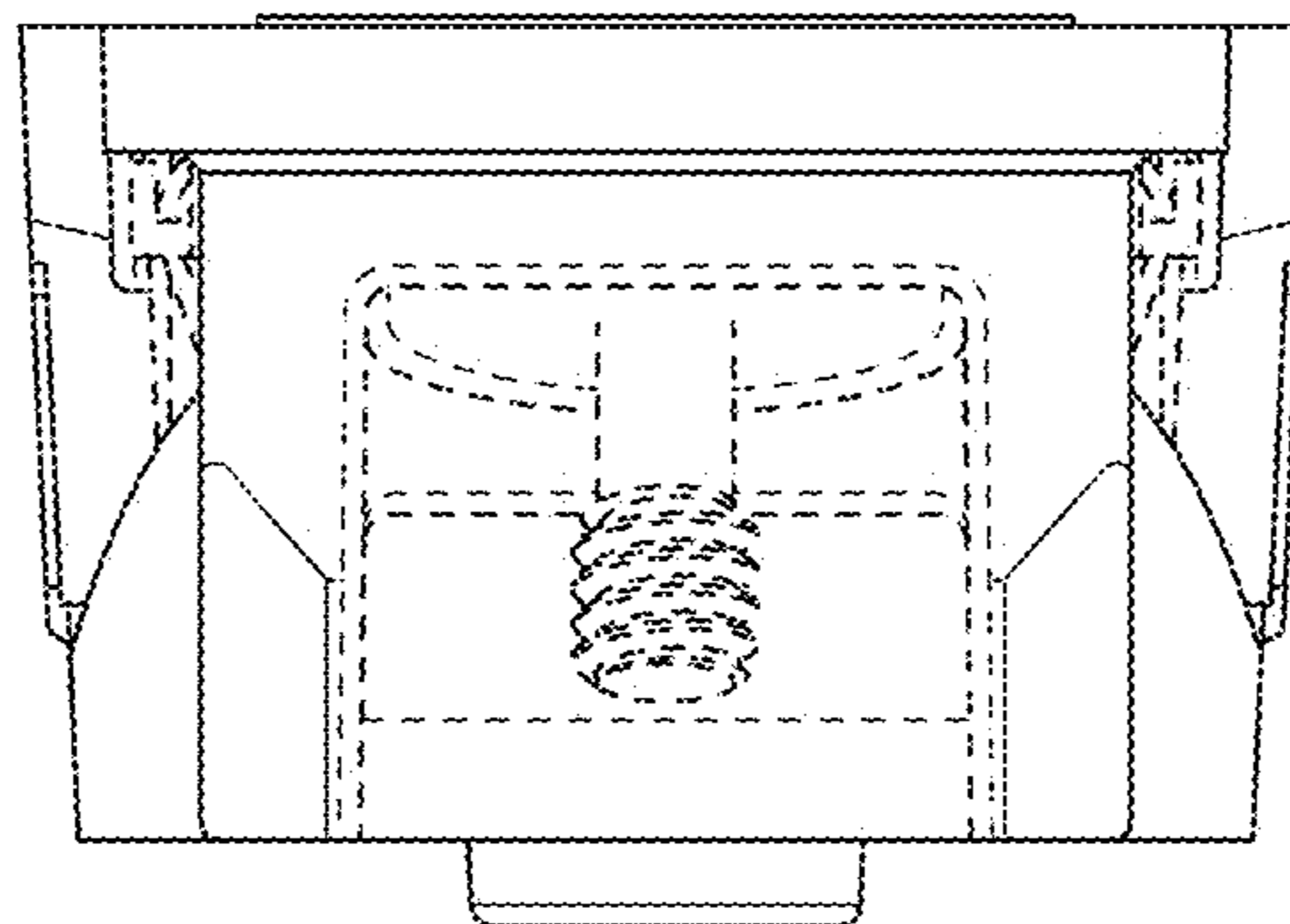


FIG. 3

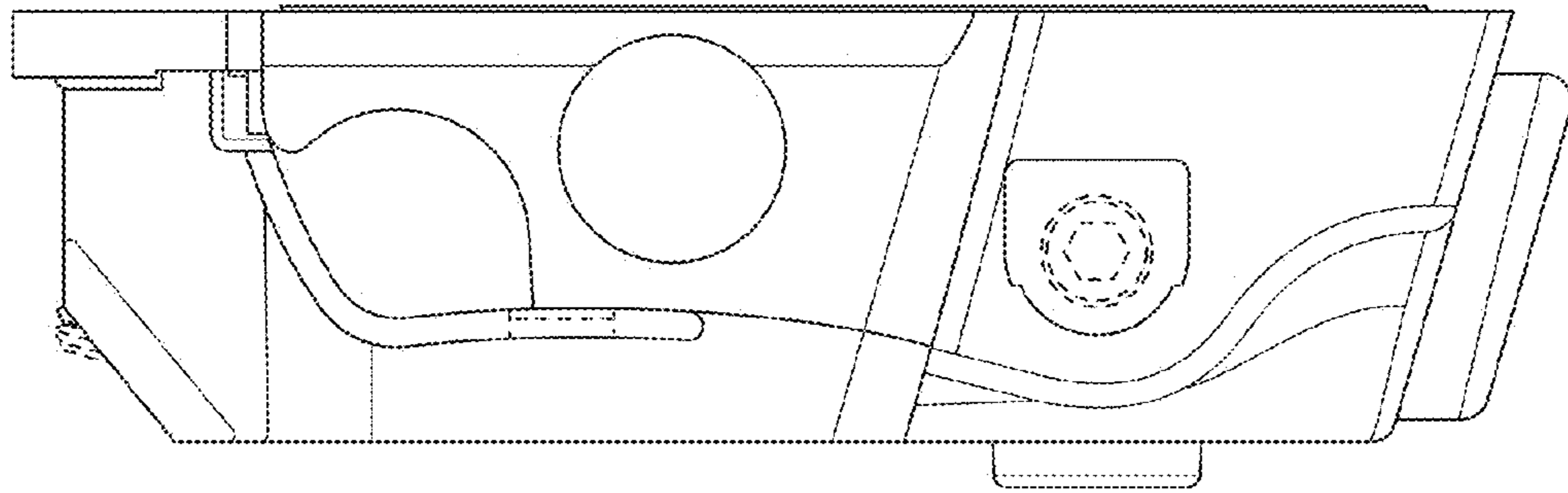


FIG. 4

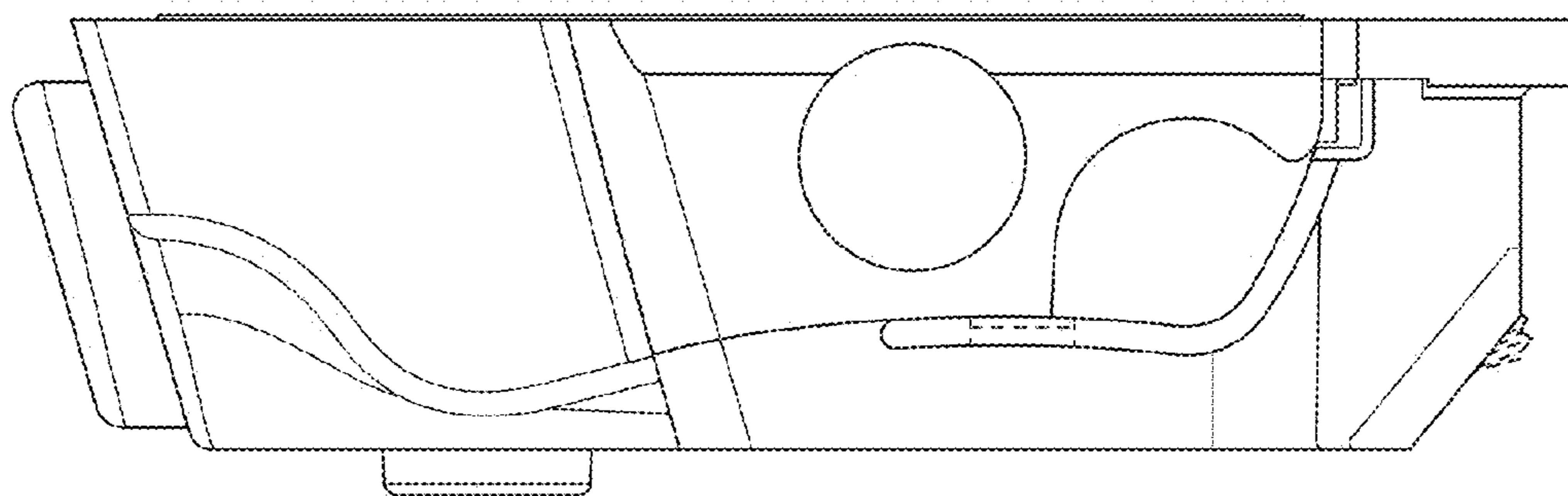


FIG. 5

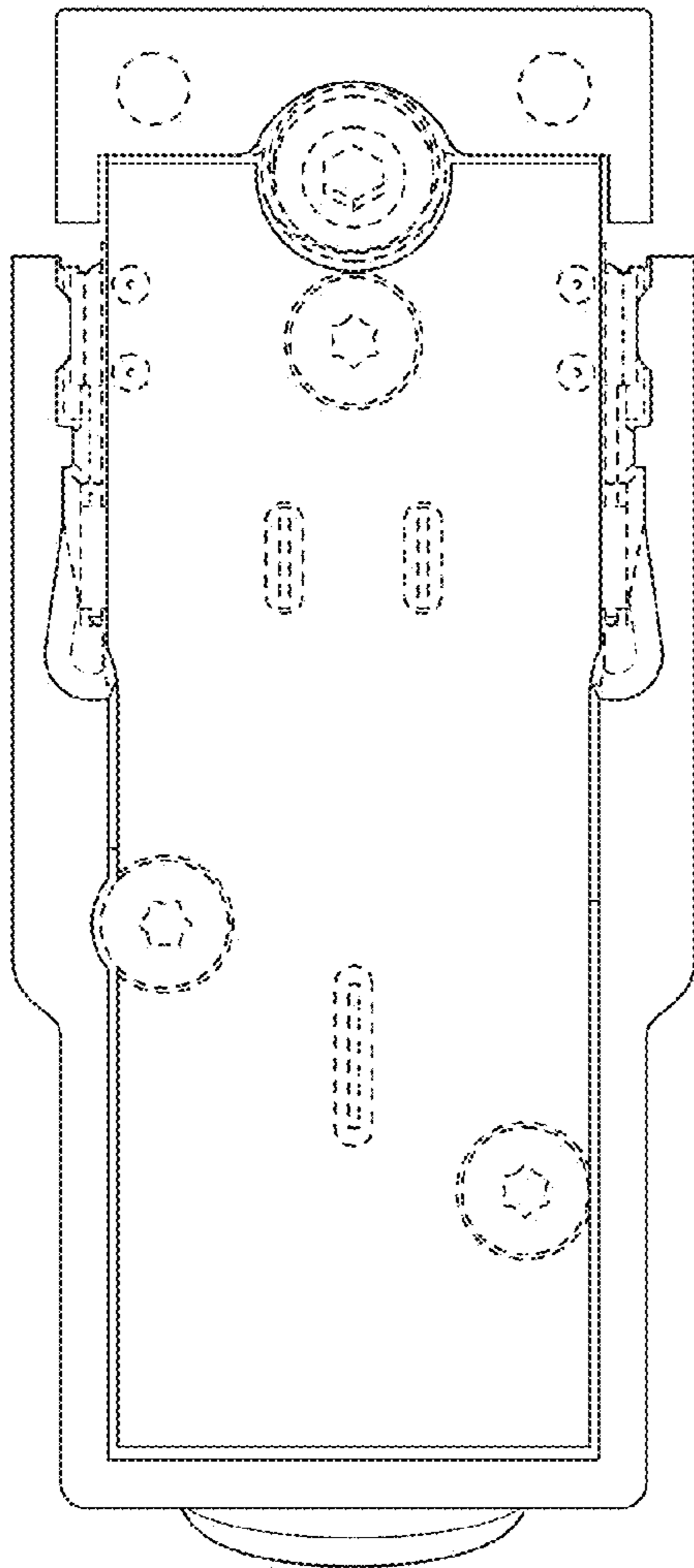


FIG. 6

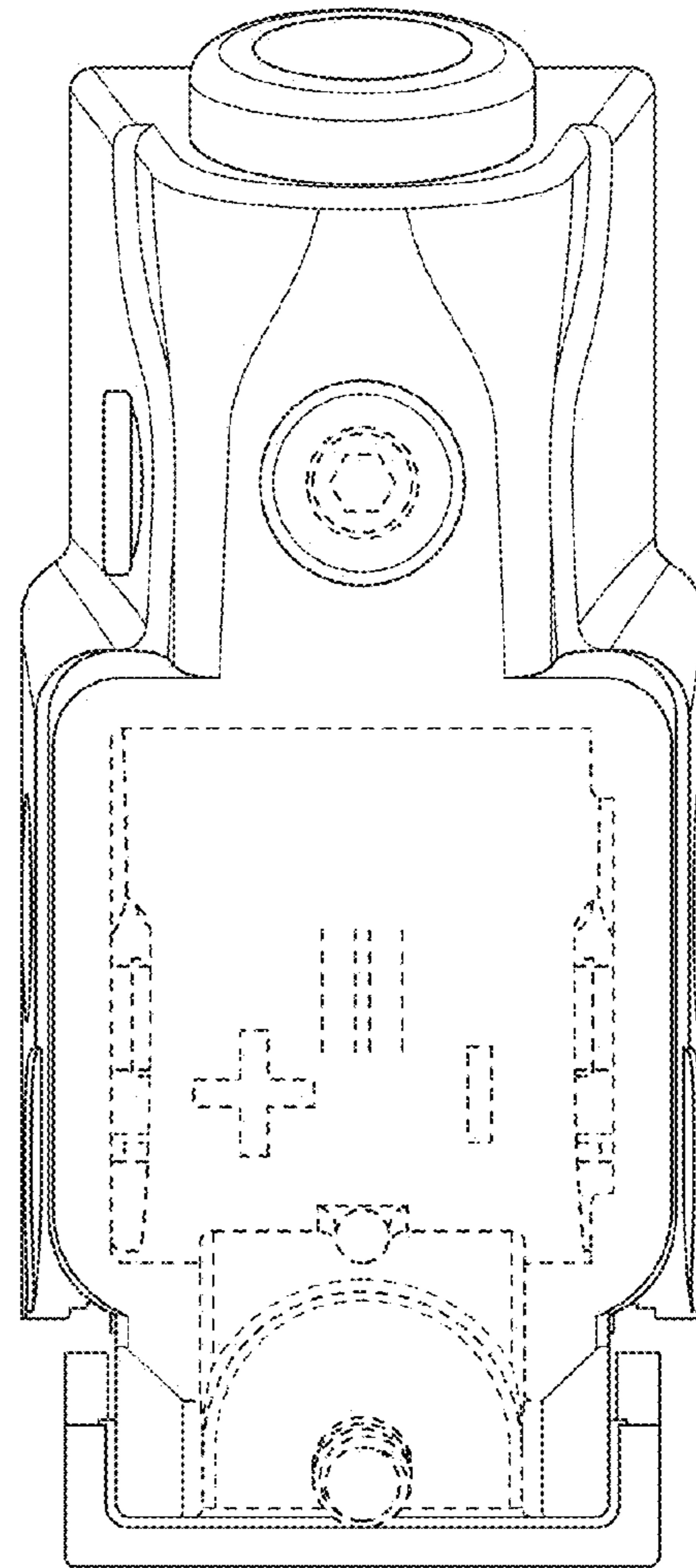


FIG. 7