



US00D742990S

(12) **United States Design Patent**
Huang

(10) **Patent No.:** **US D742,990 S**

(45) **Date of Patent:** **** Nov. 10, 2015**

- (54) **LIGHTWEIGHT GAS BLOCK**
- (71) Applicant: **George Huang**, Henderson, NV (US)
- (72) Inventor: **George Huang**, Henderson, NV (US)
- (**) Term: **14 Years**
- (21) Appl. No.: **29/498,215**
- (22) Filed: **Aug. 1, 2014**
- (51) **LOC (10) Cl.** **22-01**
- (52) **U.S. Cl.**
USPC **D22/108**
- (58) **Field of Classification Search**
USPC D22/108
CPC F41C 23/00; F41C 27/00; F41C 27/06;
F41C 23/10; F41C 23/14; F41C 23/16;
F41C 23/18; F41A 5/18; F41A 5/24; F41A
21/28
See application file for complete search history.

					89/193
2012/0167757	A1 *	7/2012	Gomez	F41A 5/28
					89/193
2013/0098235	A1 *	4/2013	Reinken	F41A 5/28
					89/193

FOREIGN PATENT DOCUMENTS

WO	WO 2010030854	A1 *	3/2010	F41A 5/24
WO	WO 2015027242	A1 *	2/2015	F41A 5/28

* cited by examiner

Primary Examiner — Michael A Pratt

(74) *Attorney, Agent, or Firm* — Shaddock Law Group, PC

(57) **CLAIM**

The ornamental design for a lightweight gas block, as shown and described.

DESCRIPTION

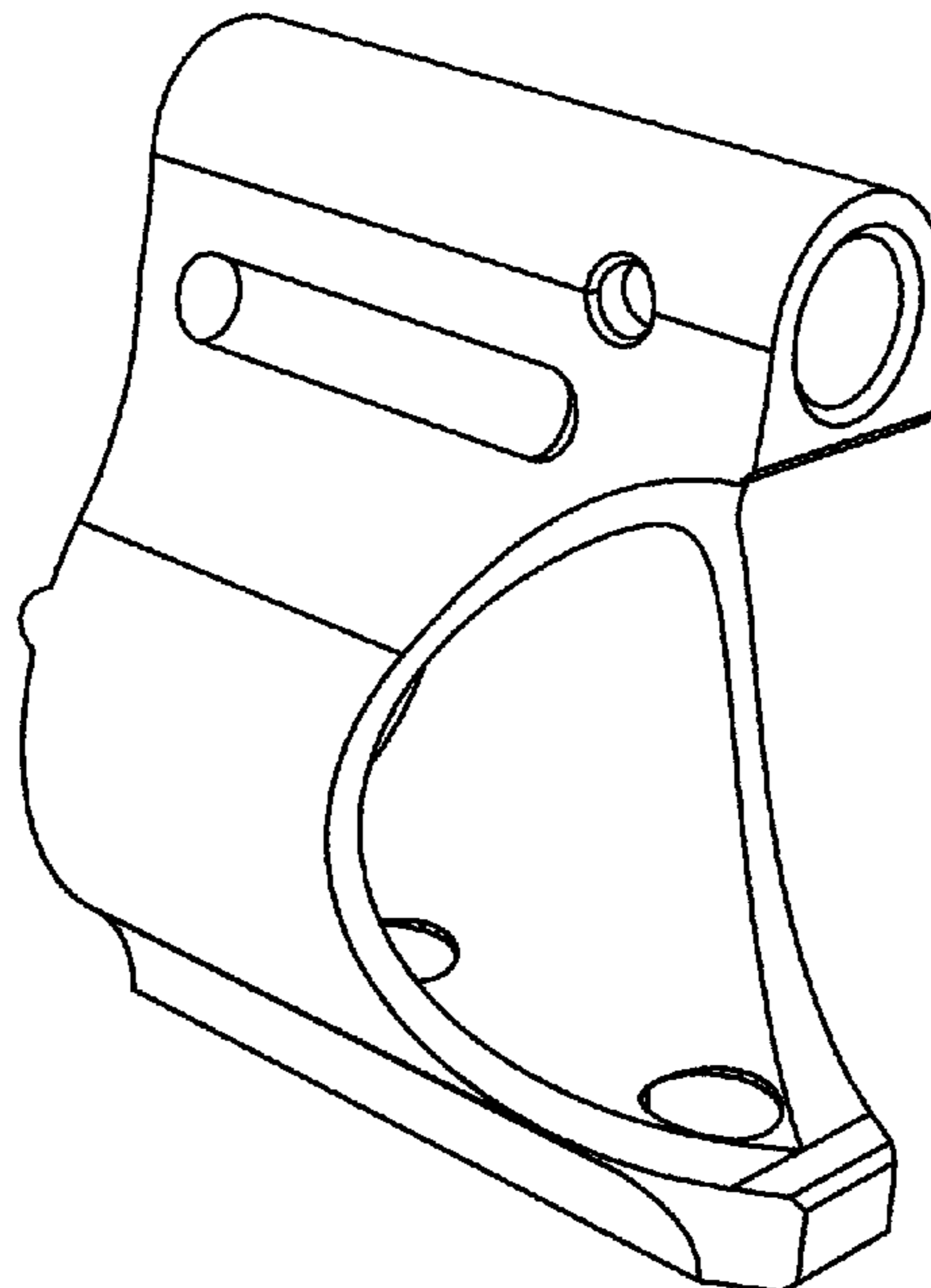
FIG. 1 is a left, front perspective view of a first exemplary embodiment of the lightweight gas block, showing my new design;
 FIG. 2 is a right, front perspective view thereof;
 FIG. 3 is a left, bottom perspective view thereof;
 FIG. 4 is a left, top perspective view thereof;
 FIG. 5 is a front view thereof;
 FIG. 6 is a rear view thereof;
 FIG. 7 is a top view thereof;
 FIG. 8 is a bottom view thereof;
 FIG. 9 is a right side view thereof; and,
 FIG. 10 is a left side perspective view thereof.

1 Claim, 5 Drawing Sheets

(56) **References Cited**

U.S. PATENT DOCUMENTS

8,042,448	B1 *	10/2011	Sylvester	F41A 21/34
					42/1.06
8,596,185	B1 *	12/2013	Soong	F41A 5/28
					89/193
D705,889	S *	5/2014	Geissele	D22/108
8,960,069	B1 *	2/2015	Soong	F41A 5/28
					89/193
9,134,082	B2 *	9/2015	Brown	F41A 5/24
2011/0271827	A1 *	11/2011	Larson	F41A 5/28



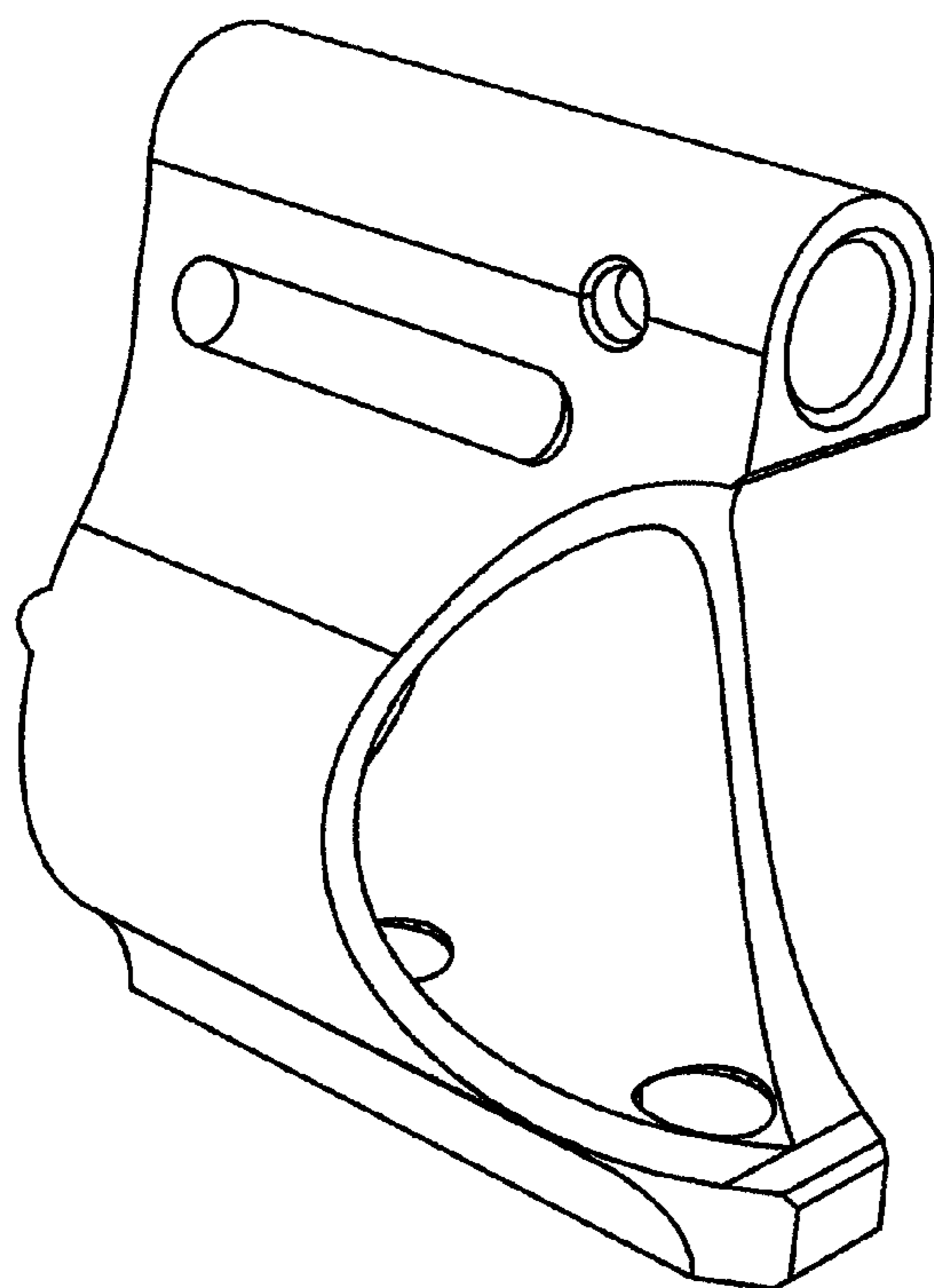


FIG. 1

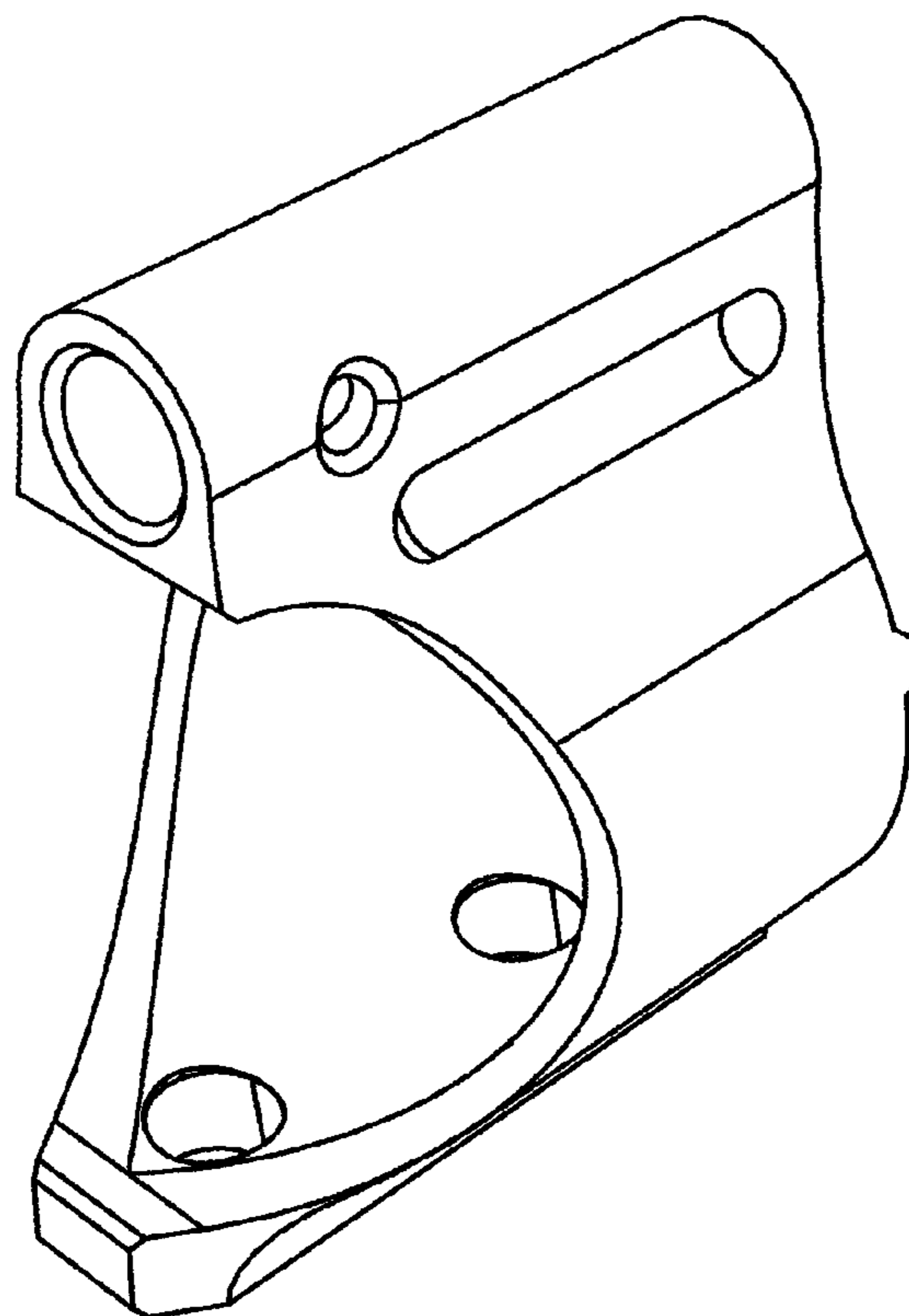


FIG. 2

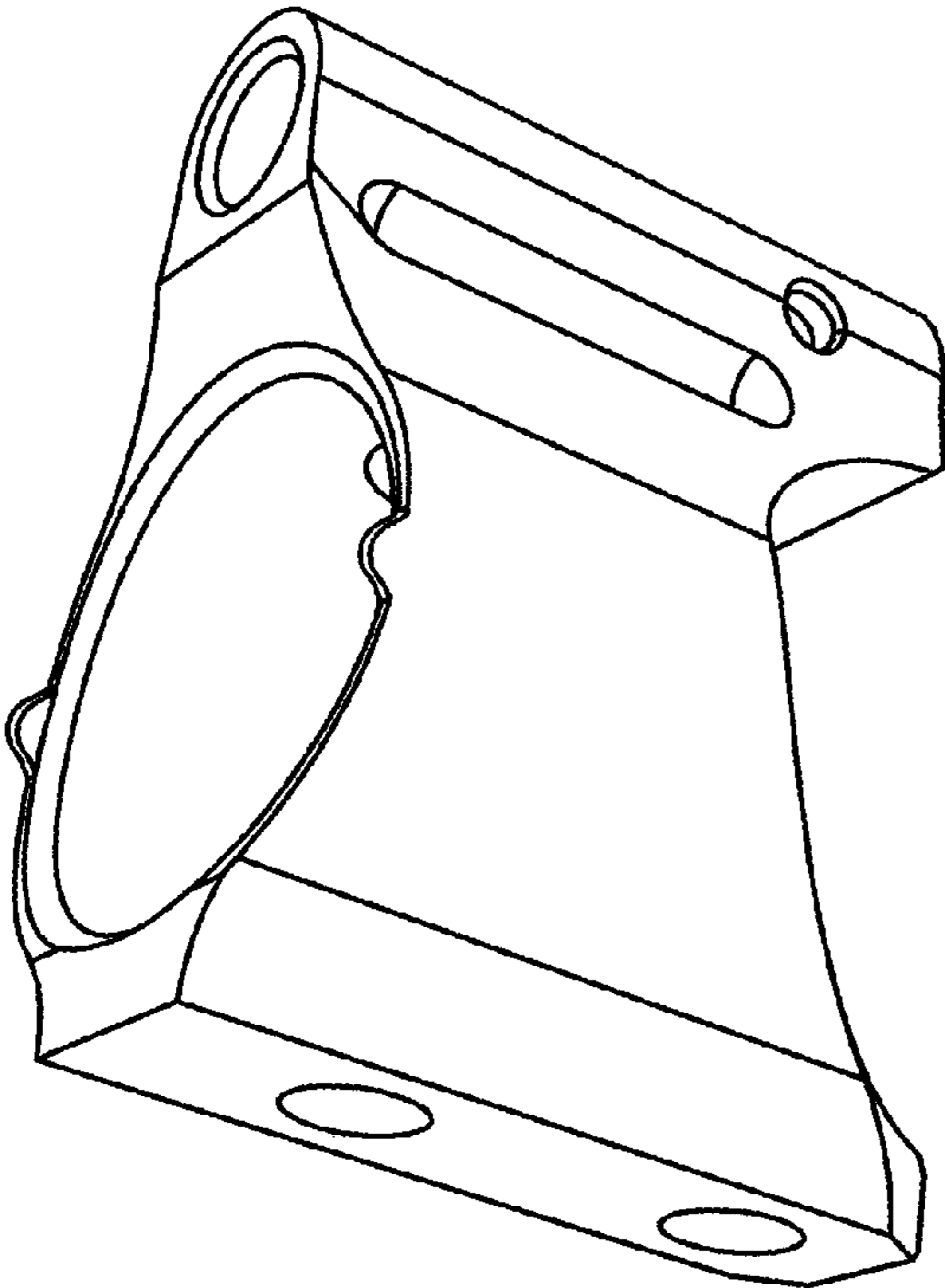


FIG. 3

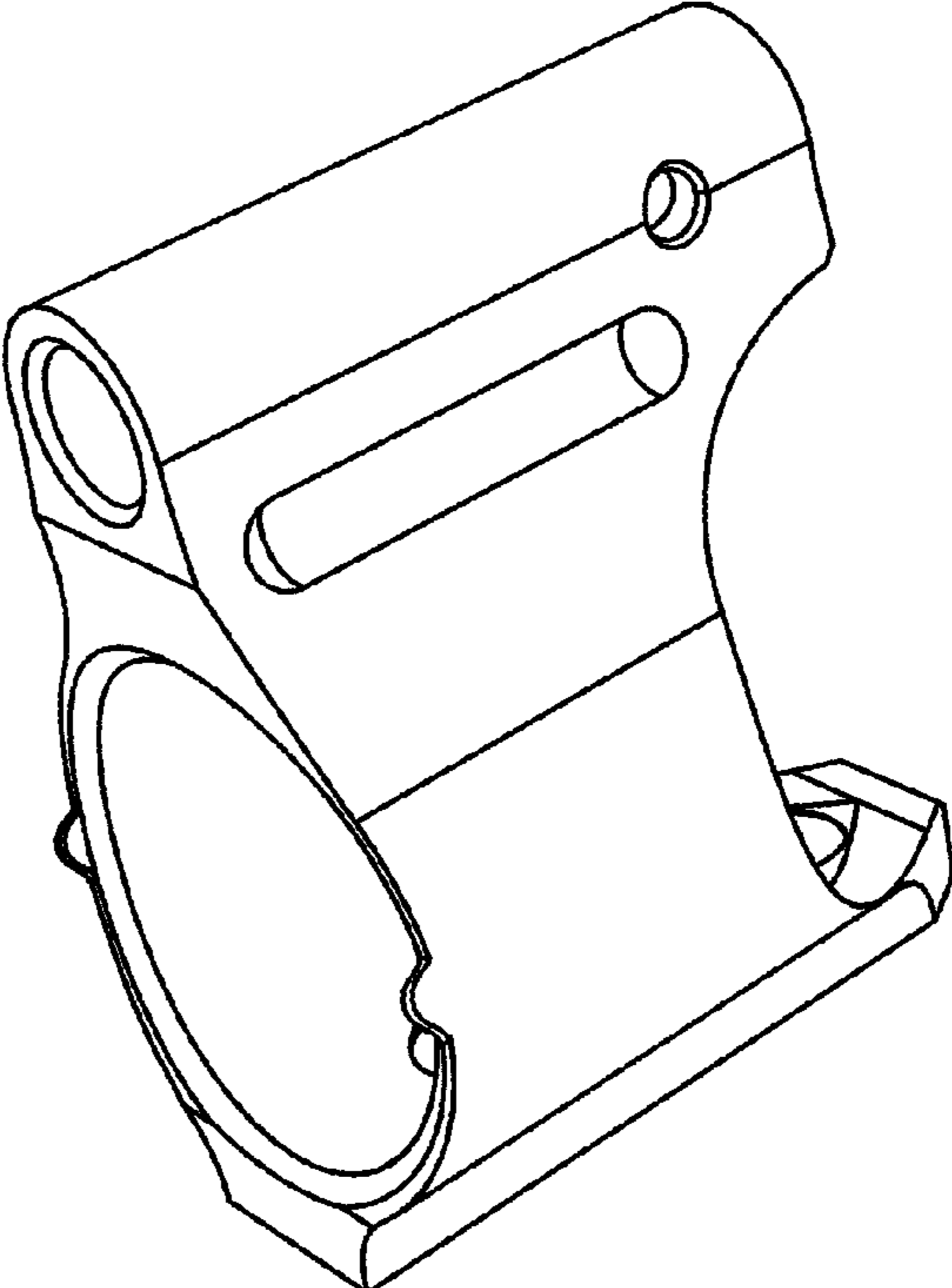


FIG. 4

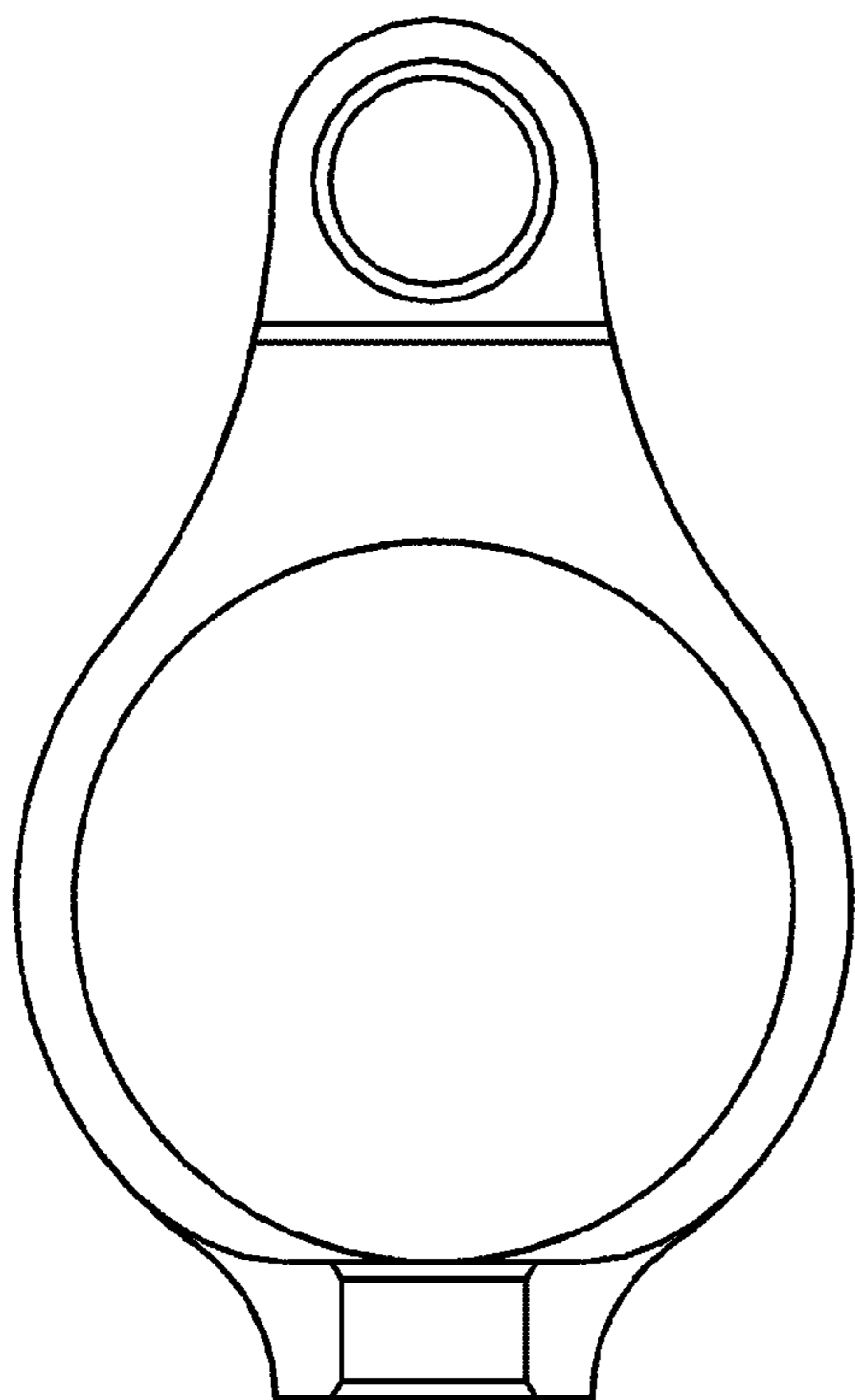


FIG. 5

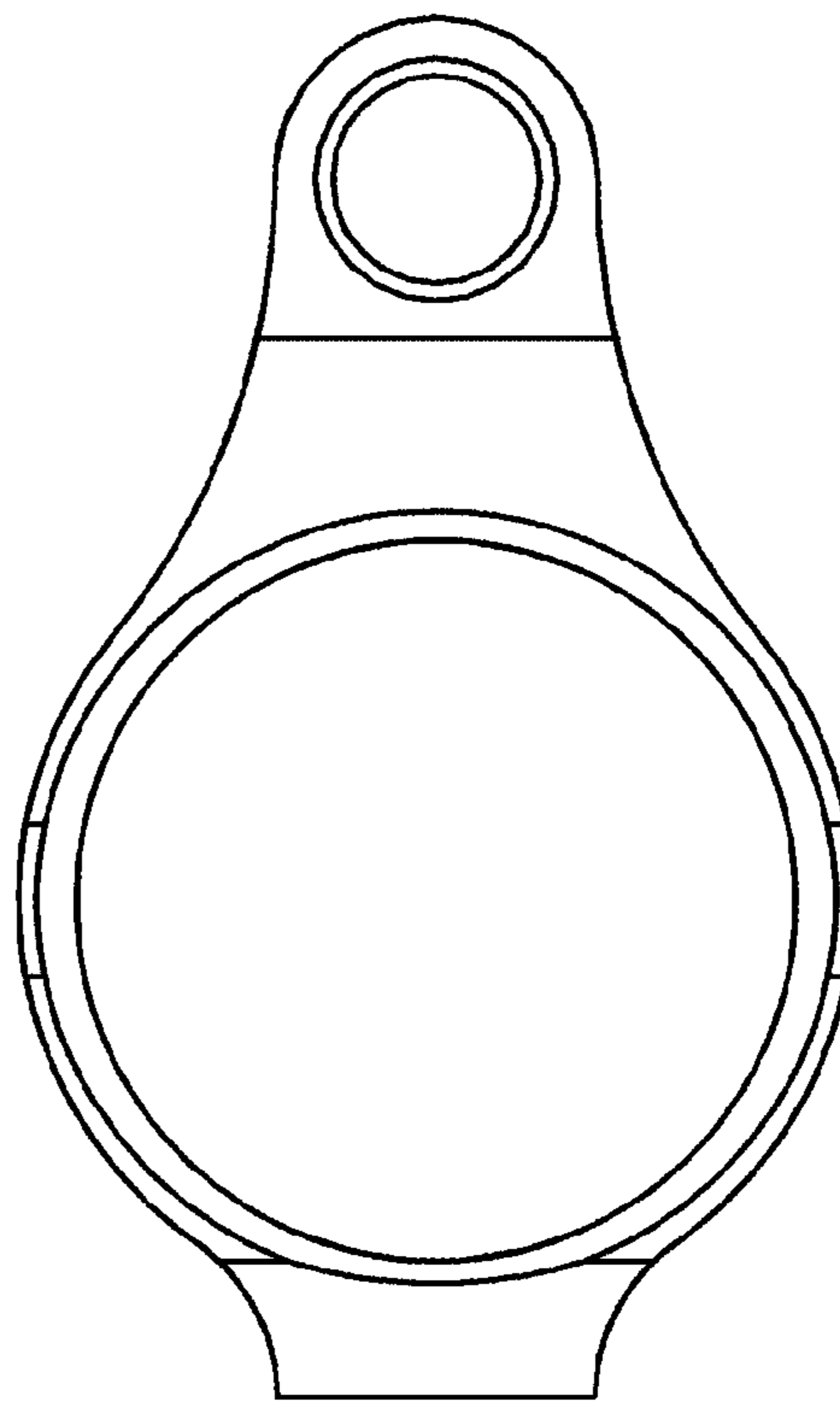


FIG. 6

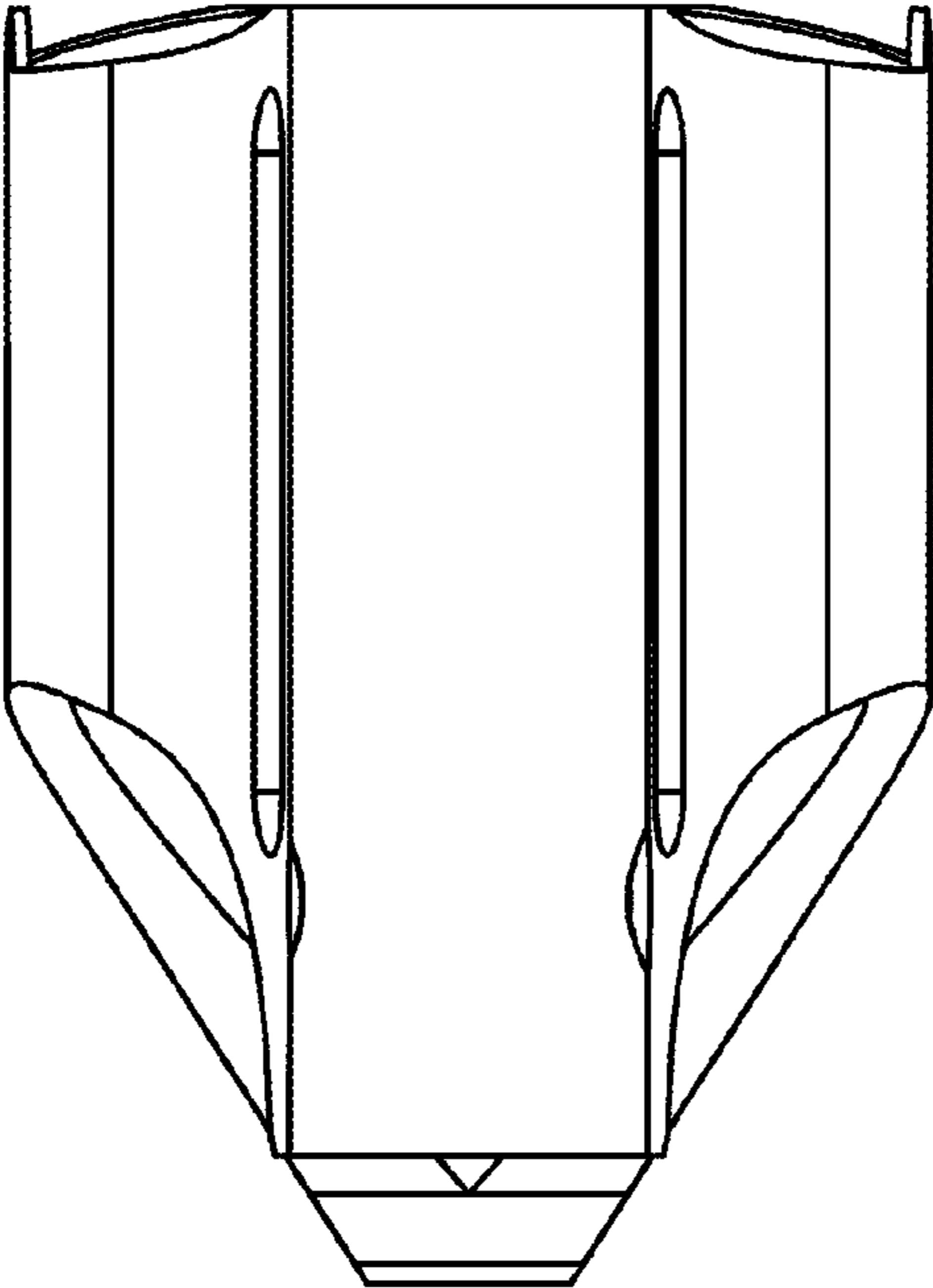


FIG. 7

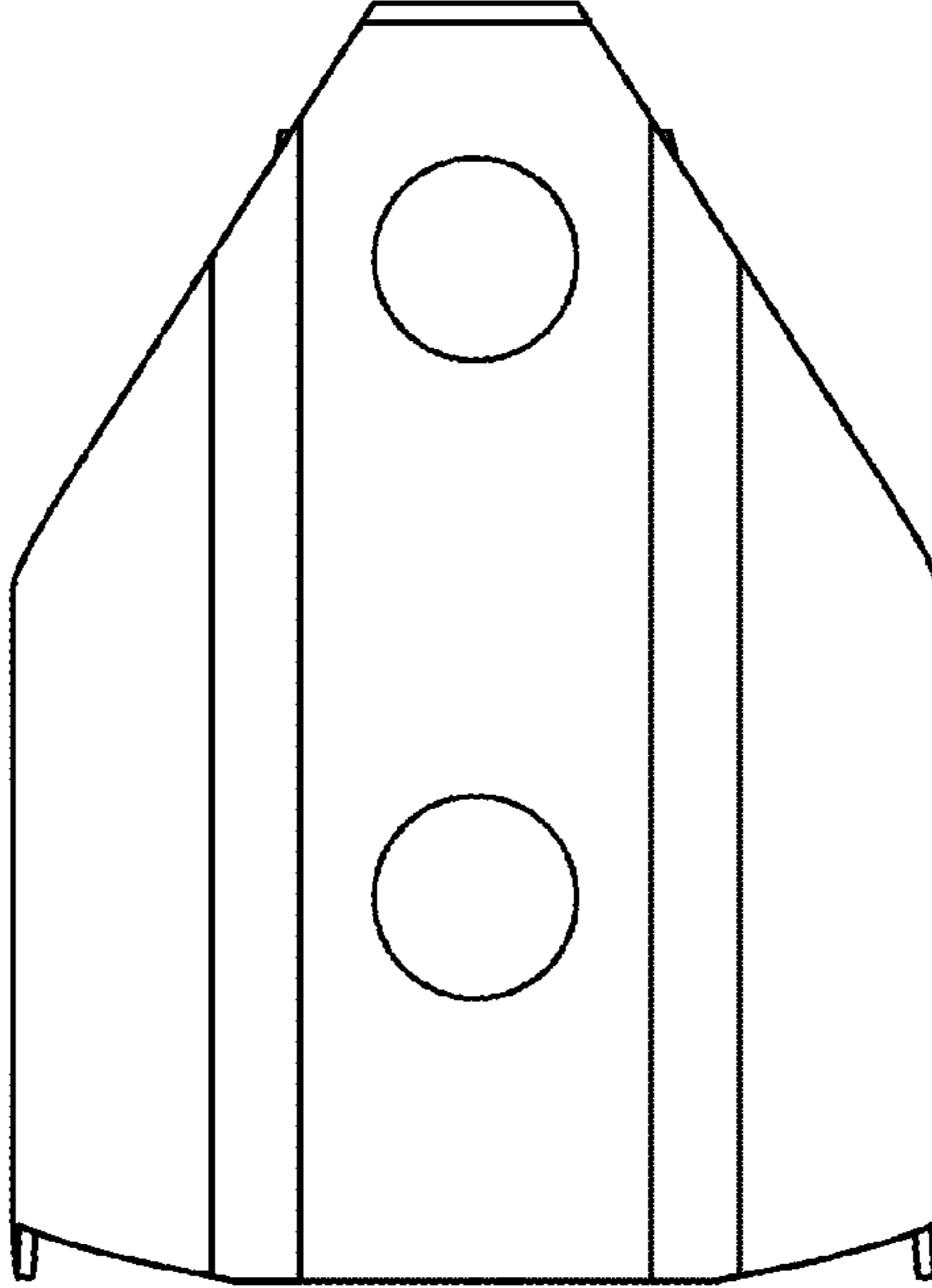


FIG. 8

