



US00D742987S

(12) **United States Design Patent**
Holden et al.

(10) **Patent No.:** **US D742,987 S**

(45) **Date of Patent:** **** Nov. 10, 2015**

(54) **BAFFLE UNIT FOR A SHOTGUN SOUND SUPPRESSOR**

(71) Applicant: **Silencerco, LLC**, West Valley City, UT (US)

(72) Inventors: **Harrison Holden**, Sandy, UT (US);
Casey Brandol, Sandy, UT (US);
Jonathon Shults, Sandy, UT (US)

(73) Assignee: **SilencerCo, LLC**, West Valley City, UT (US)

(**) Term: **14 Years**

(21) Appl. No.: **29/497,008**

(22) Filed: **Jul. 20, 2014**

(51) **LOC (10) Cl.** **22-01**

(52) **U.S. Cl.**
USPC **D22/108**

(58) **Field of Classification Search**
USPC D22/108
CPC F41A 21/30
See application file for complete search history.

(56) **References Cited**

U.S. PATENT DOCUMENTS

5,425,299	A *	6/1995	Teetzel	F41A 9/62 42/1.02
6,575,074	B1 *	6/2003	Gaddini	F41A 21/34 89/14.4
7,587,969	B2 *	9/2009	Silvers	F41A 21/34 181/223
7,931,118	B1 *	4/2011	Cronhelm	F41A 21/30 181/223

7,987,944	B1 *	8/2011	Brittingham	F41A 21/30 181/223
8,100,224	B1 *	1/2012	Olson	F41A 21/30 181/212
8,991,550	B2 *	3/2015	Coley	F41A 21/30 181/223
2012/0152093	A1 *	6/2012	Koumbis	F41A 21/30 89/14.4

* cited by examiner

Primary Examiner — Michael A Pratt

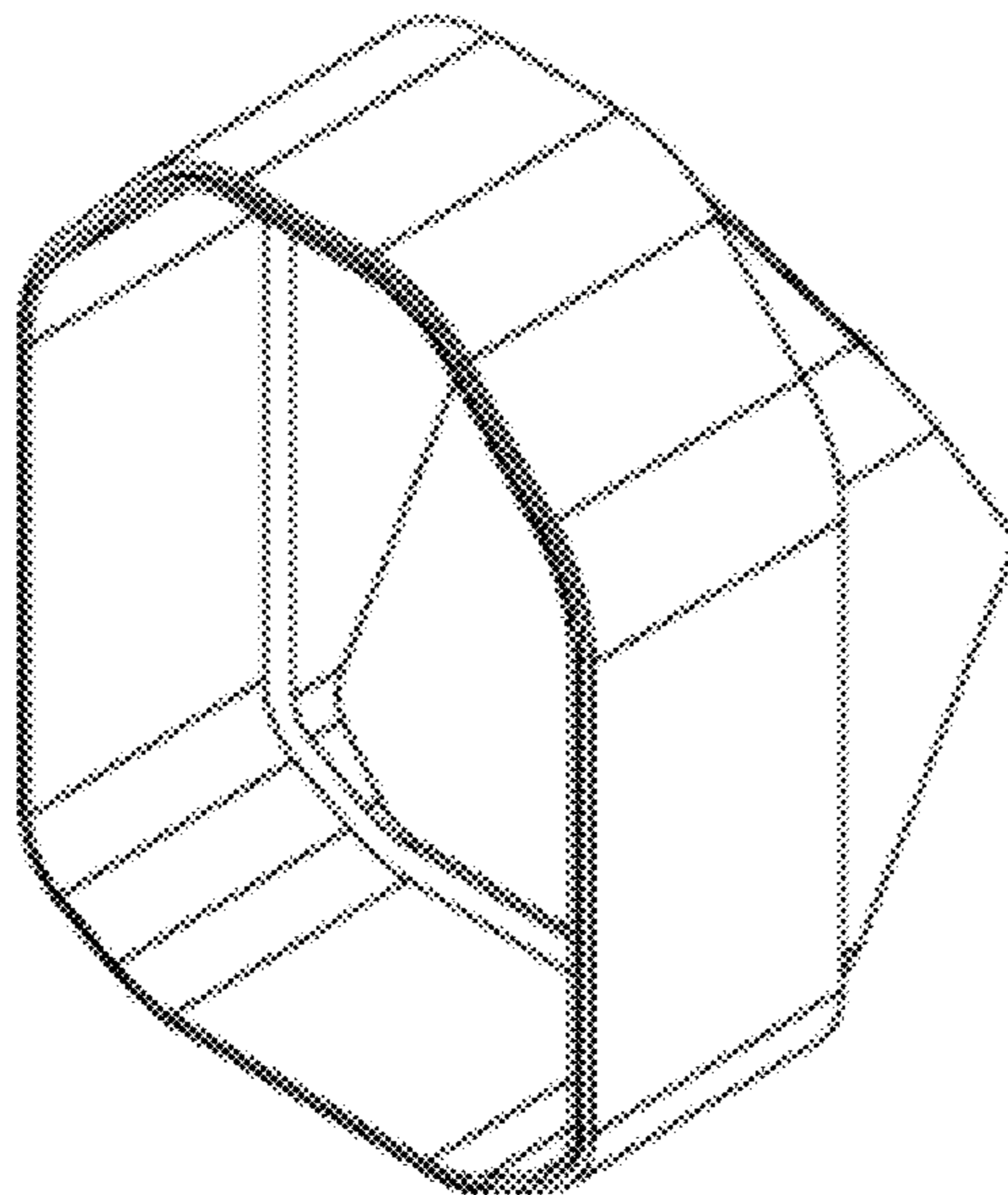
(57) **CLAIM**

The ornamental design for a baffle unit for a shotgun sound suppressor, as shown and described.

DESCRIPTION

FIG. 1 is a front isometric view of an embodiment of baffle unit for a shotgun sound suppressor;
FIG. 2 is a front view of the embodiment of baffle unit shown in FIG. 1;
FIG. 3 is a left side view of the embodiment of baffle unit shown in FIG. 1;
FIG. 4 is a right side view of the embodiment of baffle unit shown in FIG. 1;
FIG. 5 is a top view of the embodiment of sound suppressor shown in FIG. 1;
FIG. 6 is a bottom view of the embodiment of baffle unit shown in FIG. 1;
FIG. 7 is a rear isometric view of the embodiment of baffle unit shown in FIG. 1; and,
FIG. 8 is a rear view of the embodiment of baffle unit shown in FIG. 1.

1 Claim, 2 Drawing Sheets



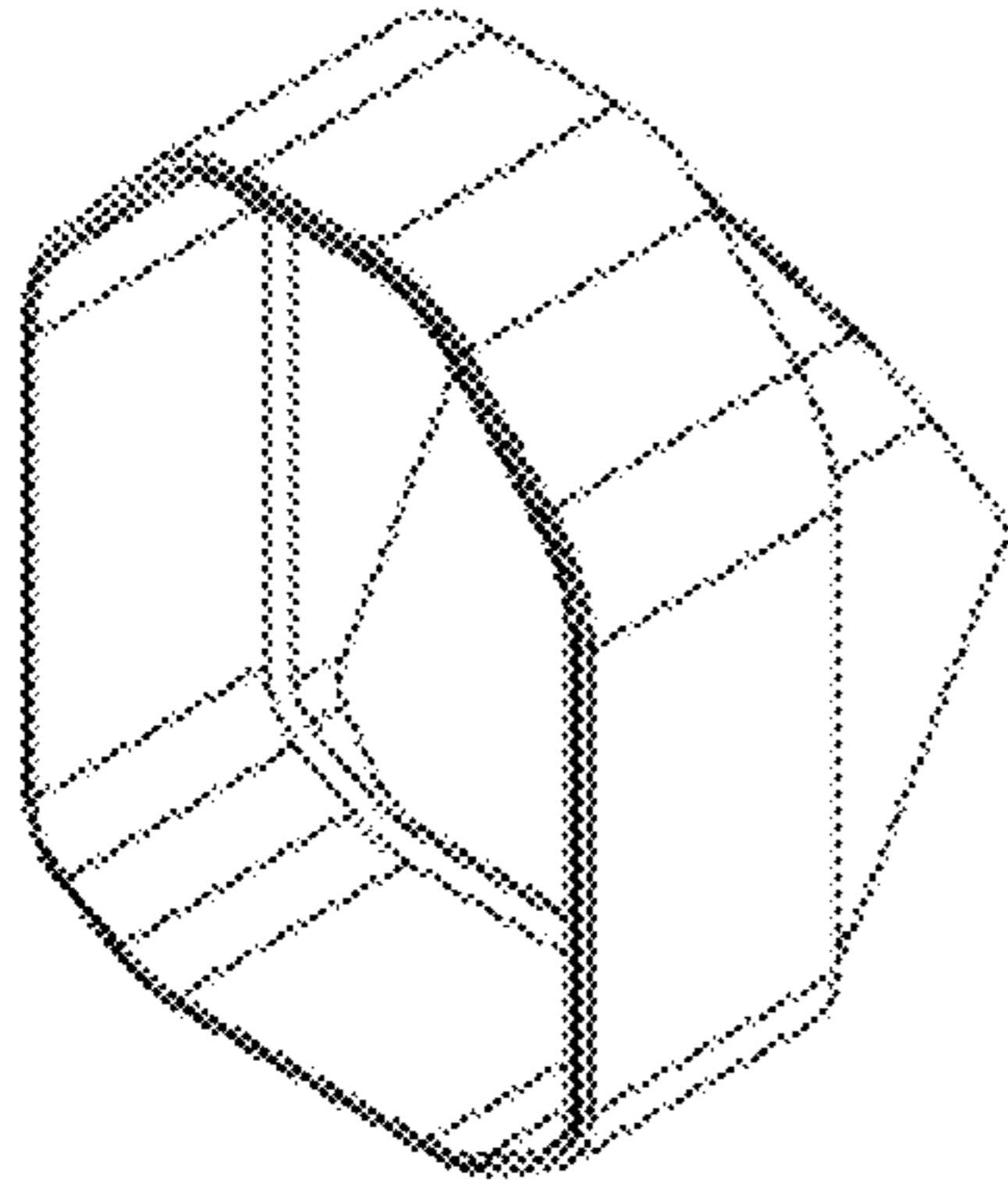


FIG. 1

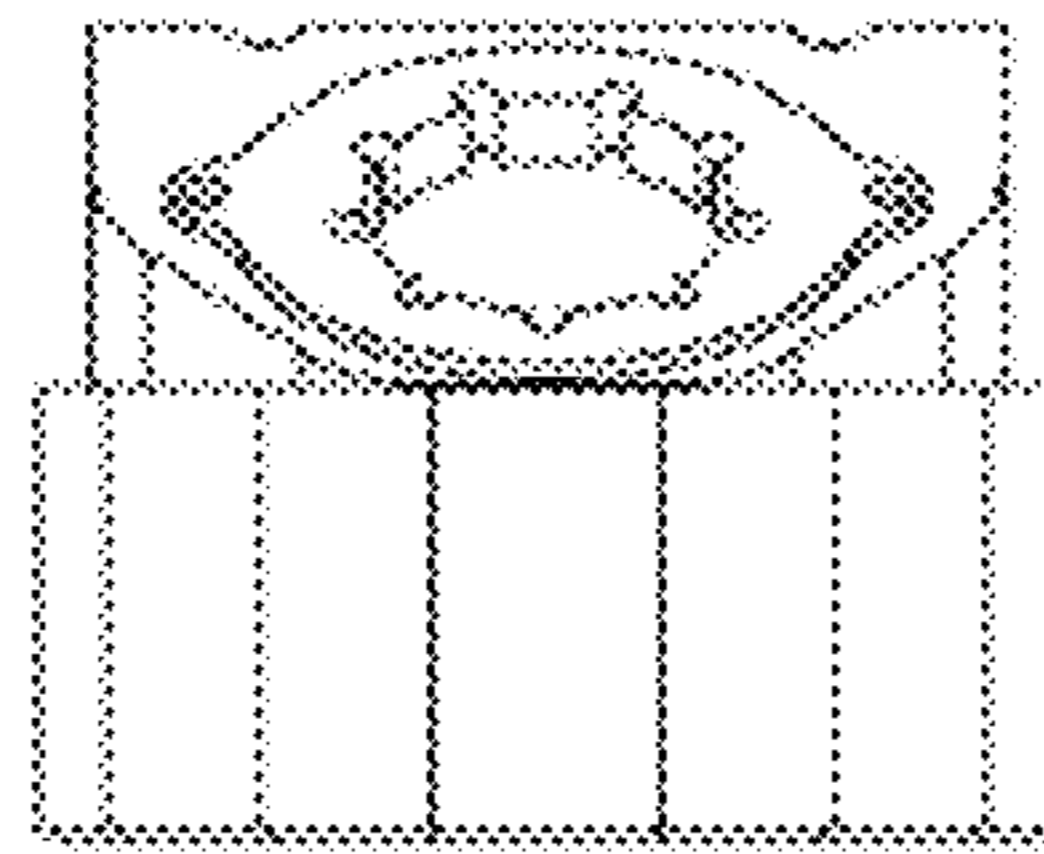


FIG. 5

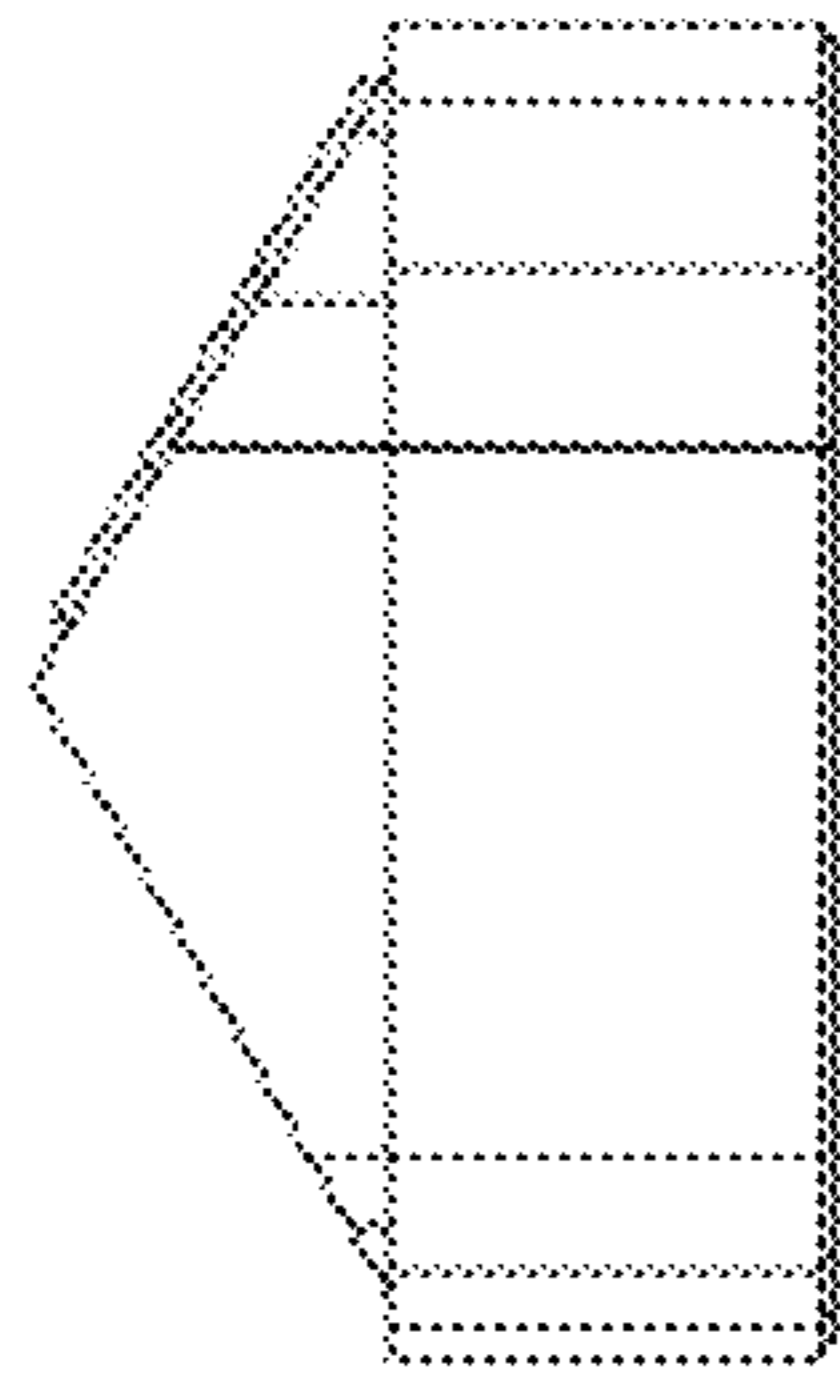


FIG. 3

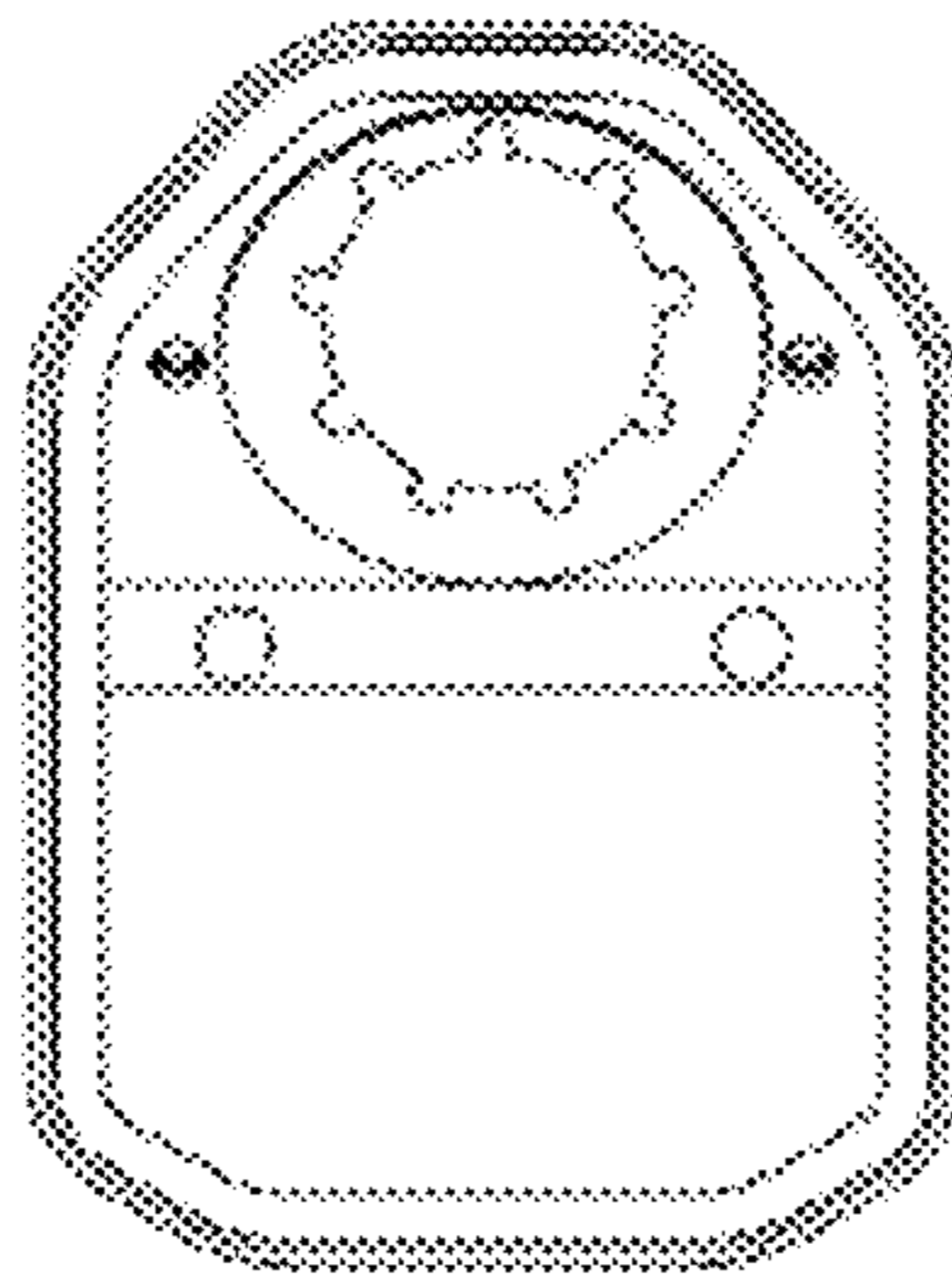


FIG. 2

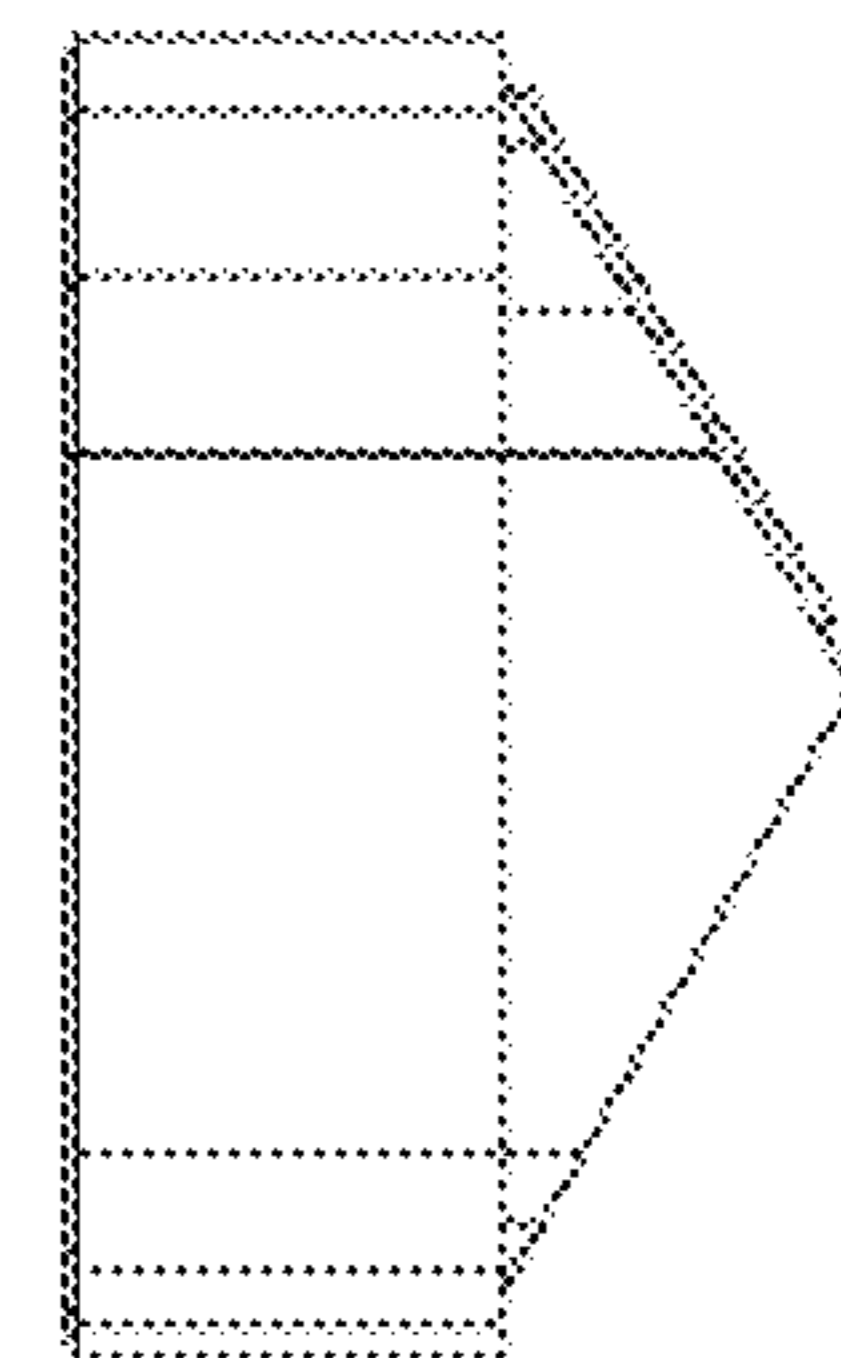


FIG. 4

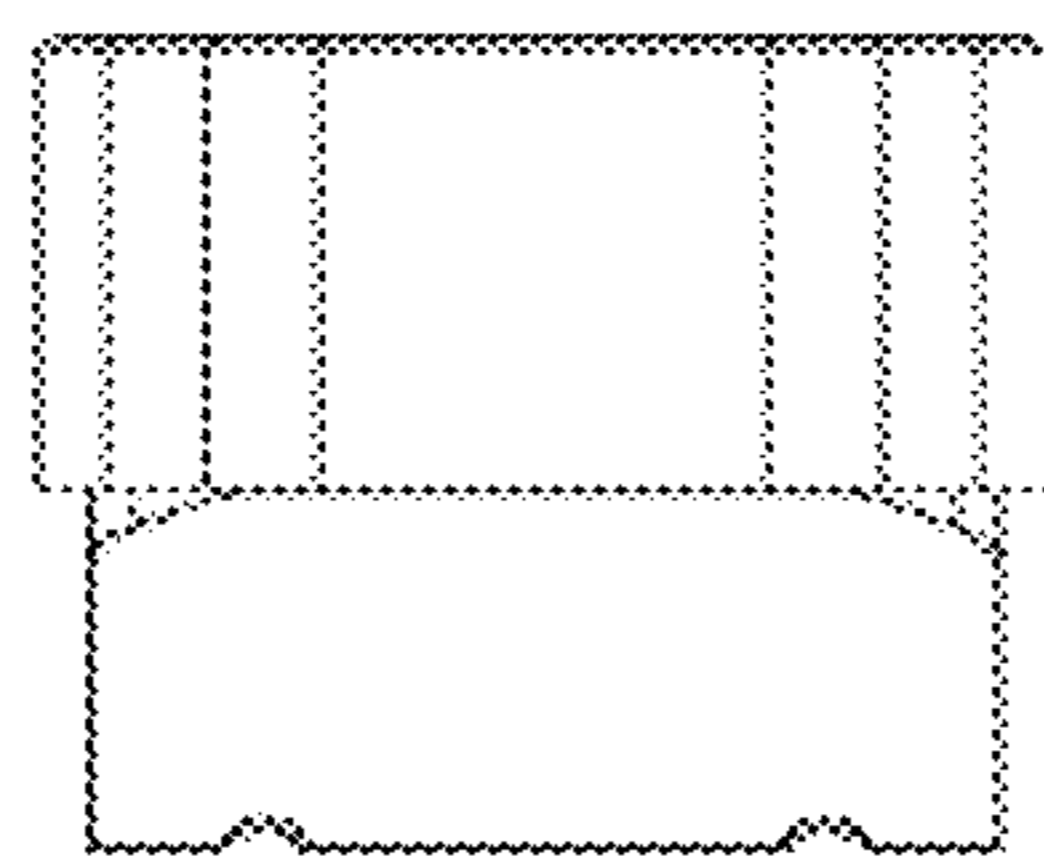


FIG. 6

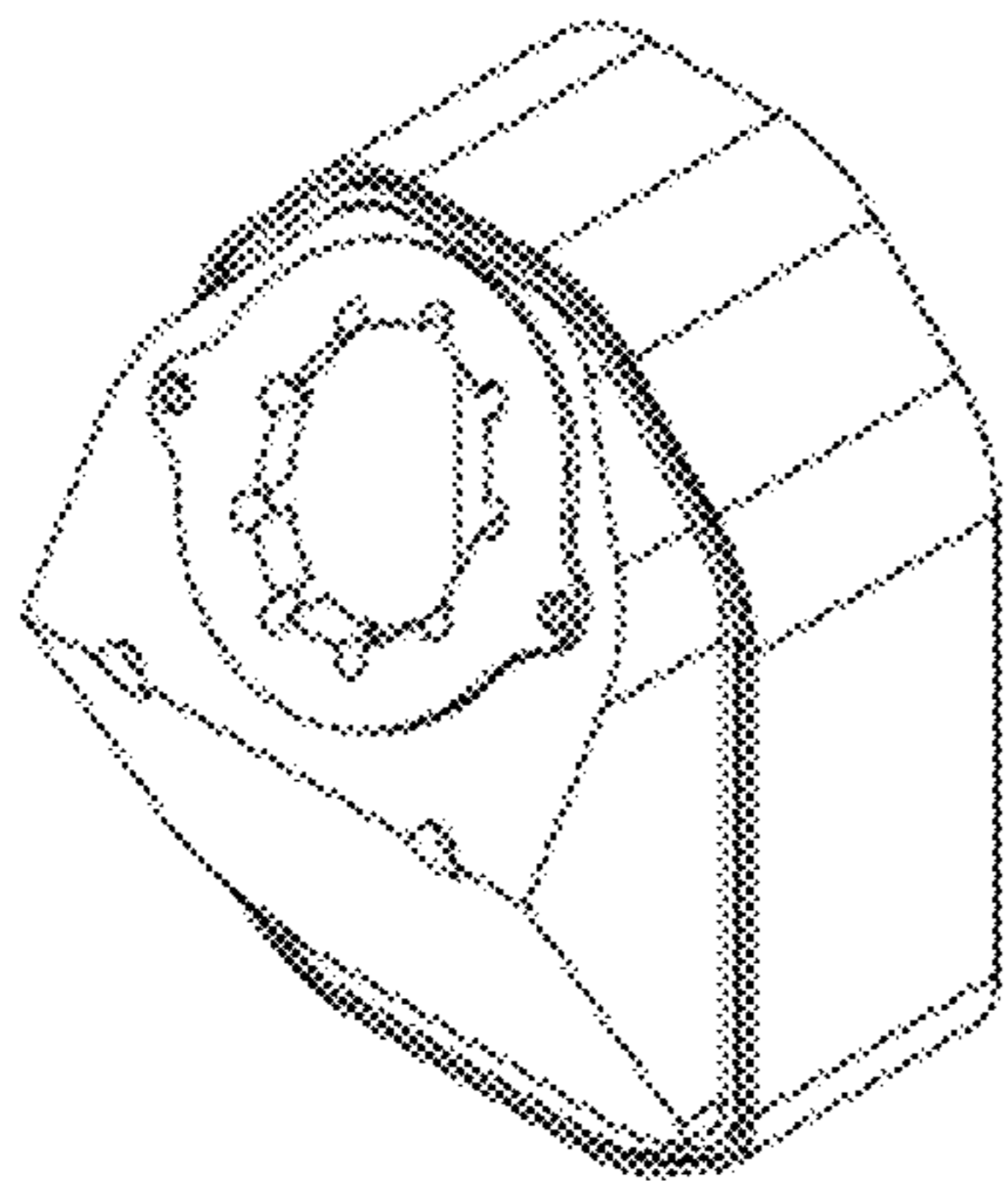


FIG. 7

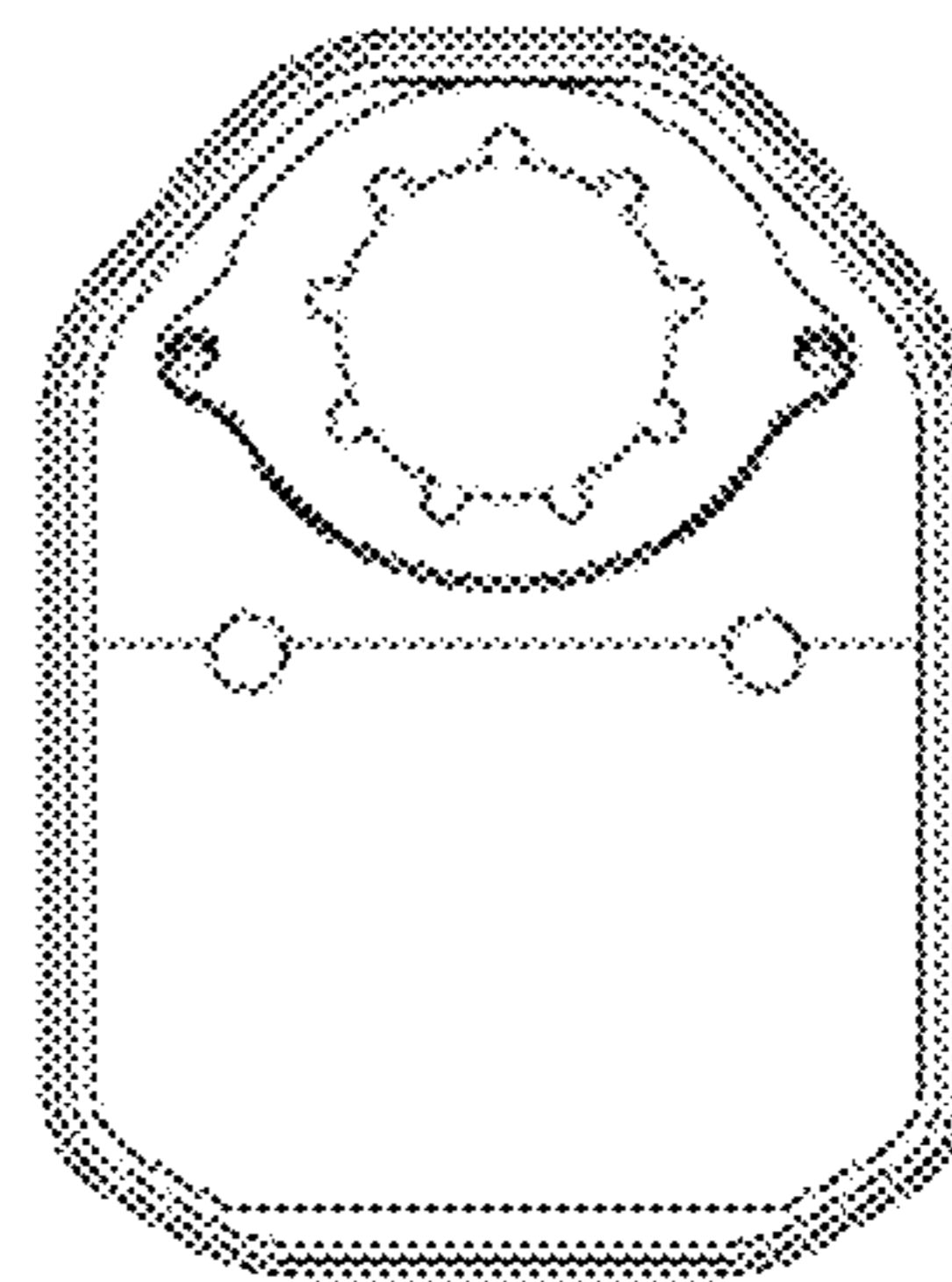


FIG. 8