



US00D742986S

(12) **United States Design Patent**
Ward, Jr. et al.

(10) **Patent No.:** **US D742,986 S**
(45) **Date of Patent:** **** Nov. 10, 2015**

(54) **GRIP FOR A FIREARM**

(71) Applicant: **Magpul Industries Corporation**, Erie, CO (US)

(72) Inventors: **Thomas Ward, Jr.**, Tualatin, OR (US); **Michael T. Mayberry**, Denver, CO (US); **Richard Fitzpatrick**, Longmont, CO (US)

(73) Assignee: **Magpul Industries Corporation**, Louisville, CO (US)

(**) Term: **14 Years**

(21) Appl. No.: **29/492,441**

(22) Filed: **May 30, 2014**

(51) **LOC (10) Cl.** **22-01**

(52) **U.S. Cl.**
USPC **D22/108**

(58) **Field of Classification Search**
USPC D22/100, 108, 199; D8/68;
42/71.01-74; 89/1.42
CPC F41C 23/10; F41C 23/14; F41C 23/16;
F41C 23/18
See application file for complete search history.

(56) **References Cited**

U.S. PATENT DOCUMENTS

D269,895 S 7/1983 Bianchi
D293,357 S 12/1987 Ruger

(Continued)

OTHER PUBLICATIONS

AR15com_WTS_Crimson_Trace_VF-302_Foregrip_Mounted_Laser AR15.com (Dec. 4, 2011) WTS—Crimson Trace VF-302 Foregrip Mounted Laser; Website [Online] Available Website: <http://www.ar15.com/archive/topic.html?b=7&f=25&t=793355>; Last Update: Jul. 3, 2014; Accessed on Sep. 17, 2014.

(Continued)

Primary Examiner — Michael A Pratt

(74) *Attorney, Agent, or Firm* — Swanson & Bratschun, L.L.C.

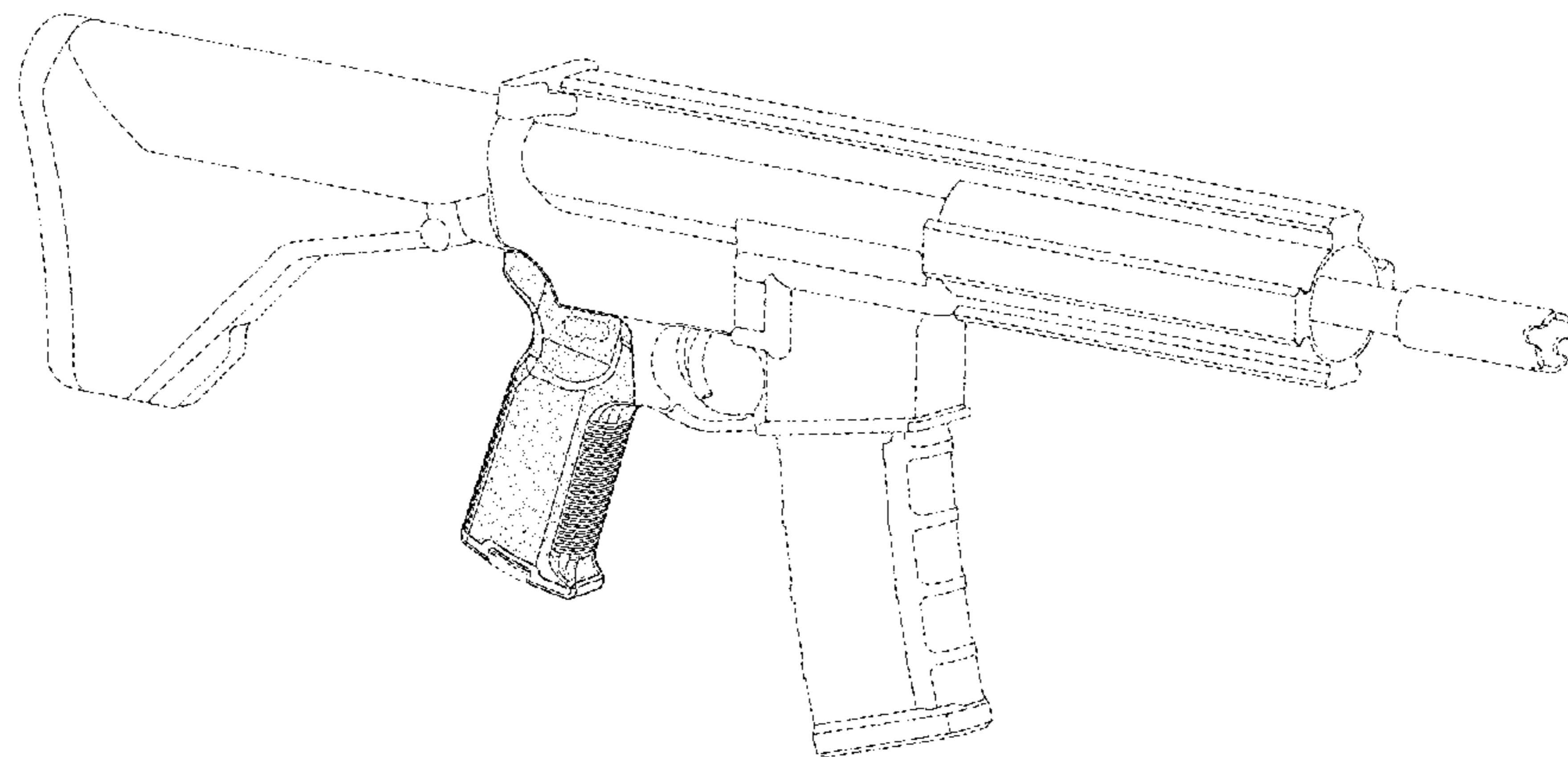
(57) **CLAIM**

The ornamental design for a grip for a firearm, as shown and described.

DESCRIPTION

FIG. 1 is a front, top, right perspective view of a first embodiment of a grip for a firearm attached to a firearm showing our new design;
FIG. 2 is a front, bottom, right perspective view of the grip for a firearm of FIG. 1;
FIG. 3 is a rear, bottom, right perspective view of the grip for a firearm of FIG. 1;
FIG. 4 is a right side elevation view of the firearm grip of FIG. 1, the left side elevation view being a mirror image thereof;
FIG. 5 is a front elevation view of the grip for a firearm of FIG. 1;
FIG. 6 is a rear elevation view of the grip for a firearm of FIG. 1;
FIG. 7 is a top plan view of the grip for a firearm of FIG. 1;
FIG. 8 is a bottom plan view of the grip for a firearm of FIG. 1;
FIG. 9 is a front, bottom, right perspective view of a second embodiment of a grip for a firearm;
FIG. 10 is a rear, bottom, right view of the grip for a firearm of FIG. 9;
FIG. 11 is a right side elevation view of the firearm grip of FIG. 9, the left side elevation view being a mirror image thereof;
FIG. 12 is a front elevation view of the grip for a firearm of FIG. 9;
FIG. 13 is a rear elevation view of the grip for a firearm of FIG. 9;
FIG. 14 is a top plan view of the grip for a firearm of FIG. 9; and,
FIG. 15 is a bottom plan view of the grip for a firearm of FIG. 9.
The stippling in FIGS. 1-8 shows a contrast in appearance with no particular color, material, texture or other feature being claimed thereby.
FIGS. 9-15 show the identical design of FIGS. 2-8 without stippling or shading lines to further clarify the design and without broken lines to illustrate an alternate embodiment.
The broken lines immediately adjacent solid lines represent the bounds of the claimed design while all other broken lines are included for the purpose of illustrating environment and unclaimed features and form not part of the claimed design.

1 Claim, 11 Drawing Sheets



(56)

References Cited

U.S. PATENT DOCUMENTS

D300,057	S	2/1989	Ruger	
D335,520	S	5/1993	Capone	
D410,988	S *	6/1999	Hines	D22/108
6,658,781	B1	12/2003	Bowen	
6,860,053	B2	3/2005	Christiansen	
D517,638	S *	3/2006	Bilgeri	D22/108
7,121,034	B2	10/2006	Keng	
7,356,958	B2	4/2008	Weir	
D577,411	S	9/2008	Dehart	
D598,517	S *	8/2009	Siddle et al.	D22/108
D600,771	S	9/2009	Fitzpatrick et al.	
D606,614	S	12/2009	Fitzpatrick	
D633,163	S	2/2011	Fitzpatrick	
8,151,504	B1 *	4/2012	Aiston	42/71.02
D667,916	S	9/2012	Mayberry	
D692,517	S	10/2013	Faifer	
8,584,390	B1	11/2013	Fraher	
D705,887	S *	5/2014	Fitzpatrick et al.	D22/108
D706,377	S *	6/2014	Zayatz et al.	D22/108
D709,585	S *	7/2014	Klecker et al.	D22/108
D722,125	S *	2/2015	Zayatz et al.	D22/108
D726,861	S *	4/2015	Siddle et al.	D22/108
D732,135	S *	6/2015	Webber	D22/108
D732,136	S *	6/2015	Webber	D22/108
D735,832	S *	8/2015	Fitzpatrick et al.	D22/108
2004/0064994	A1	4/2004	Luke	
2005/0183317	A1	8/2005	Finn	
2006/0272192	A1	12/2006	Zimmermann	
2008/0052979	A1	3/2008	Lee	
2009/0038200	A1	2/2009	Keng	
2010/0139144	A1	6/2010	Fitzpatrick et al.	
2011/0173861	A1	7/2011	Roth	
2011/0283581	A1 *	11/2011	Freed	42/49.01
2012/0180359	A1	7/2012	Fitzpatrick et al.	
2013/0125442	A1	5/2013	Burruss, Jr.	
2013/0205635	A1	8/2013	Hines	

OTHER PUBLICATIONS

Archangel_Manufacturing_2012_Black_Polymer_Vertical_Fore_Grip Archangel Manufacturing (Nov. 12, 2012) Black Polymer Vertical Fore Grip—Compact AAFG03; Website [online] Available Website: <http://www.archangelmanufacturing.com/2012/09/10/aafg03-archangel-vertical-fore-grip-compact-size-black-polymer/>; Last Update: Unknown; Accessed: Sep. 17, 2014.

ATI_Gun_Stocks_AR-15_Scorpion_Recoil_Pistol_Grip ATI Gun Stocks AR-15 Scorpion Recoil Pistol Grip; Website [Online] Available Website: <http://www.atigunstocks.com/ar-15-pistol-grip/>; Last Update: Unknown; Accessed on: Sep. 4, 2014.

BerettaUSA_ARX160_22LR_Vertical_Grip Beretta USA Beretta ARX160.22LR, Vertical Grip; Website [Online] Available Website: <http://www.berettausa.com/en-us/beretta-arx160-22lr-vertical-grip/574102/>; Last Update: Unknown; Accessed on: Oct. 9, 2014.

Bobro_Engineering_2009_VERTICAL_GRIP_FGA-2 Bobro Engineering (Aug. 4, 2009) Vertical Grip—Shorty | Item No: FGA-2; Website [Online] Available Website: <http://www.bobroengineering.com/view/product/2/>; Last Update: May 23, 2013; Accessed: Sep. 17, 2014.

BravoCompanyUSA_com_2007_CQD_Vertical_Grip BravoCompanyUSA.com (Oct. 13, 2007) CQD Vertical Grip; Website [Online] Available Website: <http://www.bravocompanyusa.com/CQD-Vertical-Grip-p/cqd%20vpg.htm>; Last Update: Jul. 1, 2013; Accessed on Sep. 17, 2014.

BravoCompanyUSA_com_2013_BCMGUNFIGHTER_Vertical_Grip_Black BravoCompanyUSA.com (Jun. 15, 2013) BCMGUNFIGHTER Vertical Grip—Black; Website [Online] Available Website: <http://www.bravocompanyusa.com/BCM-GUN-FIGHTER-s-Vertical-Grip-VG-Black-p/bcm-gfv-g-black.htm>; Last Update: Sep. 11, 2014; Accessed on: Sep. 17, 2014.

BravoCompanyUSA_com_2013_Vertical_Grip_SHORT_Black BravoCompanyUSA.com (Oct. 19, 2013) BCMGUNFIGHTER Ver-

tical Grip SHORT—Black; Website [Online] Available Website: <http://www.bravocompanyusa.com/BCM-GUN-FIGHTER-s-Vertical-Grip-VG-Black-p/bcm-gfv-g-black.htm>; Last Update: Sep. 11, 2014; Accessed on: Sep. 17, 2014.

Command_Arms_Accessories_2011_BVG_Forearm_Vertical_Grip Command Arms Accessories (May 14, 2011) BVG Forearm Vertical Grip; Website [Online] Available Website: <http://store.commandarms.com/products/BVG.html>; Last Update: Jun. 28, 2013; Accessed on: Sep. 17, 2014.

Command_Arms_Accessories_2011_CGRIP—Combat_Ergonomic_Forearm_Grip Command Arms Accessories (Oct. 3, 2011) CGRIP—Combat Ergonomic Forearm Grip; Website [Online] Available Website: <http://store.commandarms.com/products/CGRIP.html>; Last Update: Dec. 4, 2011; Accessed on: Sep. 17, 2014.

Command_Arms_Accessories_2011_EVG_Ergonomic_Vertical_Grip Command Arms Accessories (May 14, 2011) Ergonomic Vertical Grip | EVG; Website [Online] Available Website: <http://store.commandarms.com/products/EVG.html>; Last Update: Jun. 22, 2013; Accessed on: Sep. 17, 2014.

Command_Arms_Accessories_2011_FGA_Fore_Grip_Flashlight_Holder Command Arms Accessories (May 7, 2011) FGA Fore Grip & Flashlight Holder; Website [Online] Available Website: <http://store.commandarms.com/products/FGA.html>; Last Update: Jun. 19, 2013; Accessed on: Sep. 17, 2014.

Command_Arms_Accessories_2011_FVG5_5-Position_Folding_Forearm_Grip Command Arms Accessories (May 17, 2011) FVG5 5-Position Folding Forearm Grip; Website [Online] Available Website: <http://store.commandarms.com/products/FVG5.html>; Last Update: Jun. 19, 2013; Accessed: Sep. 17, 2014.

Command_Arms_Accessories_2011_MVG_Short_Vertical_Grip Command Arms Accessories (May 14, 2011) MVG Short Vertical Grip; Website [Online] Available Website: <http://store.commandarms.com/productst/MVG.html>; Last Update: Dec. 27, 2013; Accessed on: Sep. 17, 2014.

Command_Arms_Accessories_2011_Pistol_Grip_UPG16 Command Arms Accessories (May 5, 2011) Pistol Grip | UPG16; Website [Online] Available Website: <http://store.commandarms.com/products/UPG16.html>; Last Update: Sep. 3, 2013; Accessed on: Sep. 4, 2014.

Command_Arms_Accessories_2011_Replacement_Pistol_Grip_G16 Command Arms Accessories (May 7, 2011) Replacement Pistol Grip | G16; Website [Online] Available Website: <http://store.commandarms.com/products/G16.html>; Last Update: Aug. 28, 2013; Accessed on: Sep. 22, 2014.

Command_Arms_Accessories_2011_SVG_Short_Vertical_Grip Command Arms Accessories (May 14, 2011) SVG Short Vertical Grip; Website [Online] Available Website: <http://store.commandarms.com/products/SVG.html>; Last Update: May 25, 2013; Accessed on Sep. 17, 2014.

Command_Arms_Accessories_2011_TVG_Vertical_Forward_Grip Command Arms Accessories (May 17, 2011) TVG Vertical Forward Grip; Website [Online] Available Website: <http://store.commandarms.com/products/TVG.html>; Last Update: Jun. 19, 2013; Accessed on: Sep. 17, 2014.

Command_Arms_Accessories_TVG1_Vertical_Forward_Grip Command Arms Accessories TVG1 Vertical Forward Grip; Website [Online] Available website: <http://store.commandarms.com/products/thunder-three-1-finger-vertical-forward-grip/>; Last Update: Unknown; Accessed on: Sep. 17, 2014.

Crimson_Trace_2011_MVF_515 Crimson Trace (Dec. 4, 2011) MVF-515; Website [Online] Available Website: <http://www.crimsontrace.com/products/type/modular-vertical-foregrips/>; Last Update: Jul. 3, 2013; Accessed on: Sep. 17, 2014.

Daniel_Defense_2012_CONVERT_GRIP_BLACK Daniel Defense (Nov. 22, 2012) Convert Grip™ Black; Website [Online] Available Website: <https://danieldefense.com/convert-griptm-black.html>; Last Update: Jul. 23, 2014; Accessed on: Sep. 17, 2014.

Daniel_Defense_2012_Vertical_Foregrip_Black Daniel Defense (Nov. 18, 2012) Vertical Foregrip, Black; Website [Online] Available Website: <https://danieldefense.com/components-parts/vertical-grips/vertical-foregrip-black.html>; Last Update: Jul. 23, 2014; Accessed on: Sep. 17, 2014.

(56)

References Cited

OTHER PUBLICATIONS

Defense_Review_2009_HK416_Pistol_Driven_556_Carbine Defense Review (Apr. 10, 2009) HK416 Piston-Driven 5.56 Carbine and High-Reliability 30-Round Steel Mag; Website [Online] Available Website: <http://www.defensereview.com/hk416-piston-driven-556-carbine-and-high-reliability-30-round-steel-mag/>; Last Update: Oct. 14, 2013; Accessed on Sep. 22, 2014.

DPMS_Panther_Arms_2014_SPR_Pistol_Grip DPMS Panther Arms SPR Pistol Grip; Website [Online] Available Website: http://www.dpmsinc.com/SPR-Pistol-Grip_p_490.html; Last Update: Unknown; Accessed on: Sep. 4, 2014.

DPMS_Panther_Arms_Panther_Tactical_Grip DPMS Panther Arms; Panther Tactical Grip; Website [Online] Available Website: http://www.dpmsinc.com/Panthertrade-Tactical-Grip_p_464.html; Last Update: Unknown; Accessed on: Oct. 6, 2014.

eSarcoInccom_2014_Product_Image ESarcoInc.com (Sep. 14, 2014) Product Image; Website [Online] Available Website: <http://www.e-sarcoinc.com/images/products/detail/ar074.jpg>; Last Update: Unknown; Accessed on: Sep. 4, 2014.

Fortis_Manufacturing_Shift_Vertical_Grip Fortis Manufacturing Shift™ Vertical Grip; Website [Online] Available website: <http://fortismfg.com/ar15-fortis-shift-vertical-grip/>; Last Update: Unknown; Accessed on: Oct. 6, 2014.

Gear_Sector_2011_Vertical_Grips Gear Sector (Apr. 3, 2011) Vertical Grips; Website [Online] Available Website: <https://www.gearsector.com/browse/category/mounts/weapon-controls/vertical-grips/>; Last Update: Sep. 18, 2012; Accessed on: Sep. 17, 2014.

GGG_2011_Vertical_Foregrip GG&G (Apr. 25, 2011) Vertical Foregrip; Website [Online] Available Website: <http://www.gggaz.com/vertical-foregrip.html>; Last Update: Aug. 5, 2014; Accessed on: Sep. 17, 2014.

Grip_Pod_2012_Grip_Pod_Models Grip Pod Systems International, LLC (Sep. 30, 2012) Grip Pod Models; Website [Online] Available Website: <http://www.grippod.com/gsp-02-military/>; Last Update: Jul. 16, 2014; Accessed on: Sep. 17, 2014.

Gun_Blast_2005_Bushmaster_XM_15 GunBlast.com (Dec. 14, 2005) Bushmaster XM 15; Website [Online] Available Website: http://www.gunblast.com/images/Bushmaster_XM15/Mvc-017f.jpg; Last Update: Aug. 11, 2014; Accessed on: Sep. 4, 2014.

HKParts_net_2010_MP5_Trigger_Housings HKParts.net (Nov. 2, 2010) MP5—Trigger Housings; Website [Online] Available Website: <http://www.hkparts.net/shop/pc/MP5-Trigger-Housings-c242.htm>; Last Update: Jul. 2, 2014; Accessed on: Sep. 8, 2014.

HKParts_net_2012_HK_416_MR556_MR762_Battle_Grip_Storage HKParts.net (Jun. 29, 2012) HK 416, MR556 & MR762 Battle Grip W/ Storage; Website [Online] Available Website: http://www.hkparts.net/shop/pc/HK-416-MR556-MR762-Battle-Grip-W-Storage-p33.htm#.VA4I2_ldWVN; Last Update: Mar. 16, 2013; Accessed on Sep. 8, 2014.

HKparts_net_2012_HK_German_Vertical_Grip HKParts.net (Mar. 1, 2012) HK German Vertical Grip; Website [Online] Available Website: <http://www.hkparts.net/shop/pc/HK-German-Vertical-Grip-p34.htm#.VBokmPldWVN>; Last Update: Jun. 23, 2013; Accessed on: Sep. 17, 2014.

HKParts_net_2014_MP5 HKParts.net (Jul. 29, 2014) MP5; Website [Online] Available Website: <http://www.hkparts.net/shop/pc/MP5-c5.htm>; Last Update: Sep. 5, 2014; Accessed on: Sep. 8, 2014.

Hogue_2012_Extreme_Series_G10_Grips Hogue (May 10, 2012) Extreme™ Series G10 Grips; Website [Online] Available Website: http://www.hoguestore.com/index.php?main_page=index&cPath=16_680; Last Update: Jul. 3, 2014; Accessed on: Sep. 8, 2014.

Hogue_2013_Soft_OverMolded_Rubber Hogue (May 7, 2013) Soft OverMolded Rubber; Website [Online] Available website: http://www.hoguestore.com/index.php?main_page=index&cPath=16_763; Last Update: Jul. 3, 2014; Accessed on: Sep. 8, 2014.

Hogue_2014_Extreme_Series_Aluminum_Grips Hogue (Apr. 3, 2014) Extreme™ Series Aluminum Grips; Website [Online] Avail-

able Website: http://www.hoguestore.com/index.php?main_page=index&cPath=16_818; Last Update: Jul. 3, 2014; Accessed on: Sep. 8, 2014.

Impact_Guns_2013_Bushmaster_Enhanced_Pistol_Grip_M16_AR15 Impact Guns (Apr. 20, 2013) Bushmaster Enhanced Pistol Grip M16/AR-15/M4/HK416, Milspec, Black; Website [Online] Available Website: <http://www.impactguns.com/bushmaster-enhanced-pistol-grip-will-fit-m16ar-15m4hk416-milspec-black-93392-604206933928.aspx>; Last Update: Sep. 1, 2014; Accessed on Sep. 4, 2014.

John_Masen_Nylon_Vertical_Foregrip_no_bar John Masen Co. Nylon Vertical Foregrip (no bar); Website [Online] Available Website: http://www.johnmasen.com/Merchant2/merchant.mvc?Screen=PROD&Store_Code=J&Product_Code=1505NPG

&Category_Code=AA; Last Update: Unknown; Accessed on: Sep. 17, 2014.

LaRue_Tactical_2011_Ergo_AR15_M16_Ambidextrous_SureGrip LaRue Tactical (Oct. 2, 2011) Ergo AR15/M16 Ambidextrous Suregrip; Website [Online] available Website: <http://www.laruetaactical.com/ergo-ar15m16-ambidextrous-suregrip/>; Last Update: Aug. 8, 2014; Accessed on Sep. 4, 2014.

Magpul_2013_MIAD_GEN_1-1_Grip_Kit_Type_1 Magpul Industries Corporation (Jan. 18, 2013) MIAD® GEN 1.1 Grip Kit—Type 1; Website [Online] Available Website: <http://store.magpul.com/product/MAG520/grips>; Last Update: Jul. 2, 2014; Accessed on Sep. 4, 2014.

Magpul_2013_MOE_K2_Grip_AR15_M4 Magpul Industries Corporation (Feb. 12, 2013); MOE-K2® Grip—AR15/M4; Website [Online] Available Website: <http://store.magpul.com/product/MAG522/grips>; Last Update: Jul. 2, 2014; Accessed on: Sep. 4, 2014.

Magpul_MVG_MOE_Vertical_Grip Magpul Industries Corporation; MVG®—MOE® Vertical Grip; Website [Online] Available Website: <http://store.magpul.com/product/MAG413/rails>; Last Update: Unknown; Accessed on: Sep. 17, 2014.

Magpul_RVG_Rail_Vertical_Grip Magpul Industries Corporation RVG®—Rail Vertical Grip; Website [Online] Available Website: <http://store.magpul.com/product/MAG412/rails>; Last Update: Unknown; Accessed on: Sep. 17, 2014.

Mako_Group_Israeli_Defense_Forces_Pistol_Grip Mako Group Israeli Defense Forces Pistol Grip for M16/M4/AR-15; Website [Online] Available Website: <http://www.themakogroup.com/Detail.aspx?PROD=1042609&CAT=8667>; Last Update: Unknown; Accessed on: Sep. 4, 2014.

Mako_Group_Magazine_Well_Grip_Magwell_Funnel Mako Group Magazine Well Grip and Magwell Funnel for M16/M4/AR-15; Website [Online] Available Website: <http://www.themakogroup.com/Detail.aspx?PROD=1042801>; Last Update: Unknown; Accessed on: Sep. 18, 2014.

Mako_Group_Quick_Release_Ergonomic_Vertical_Foregrip Mako Group Quick Release Ergonomic Vertical Foregrip; Website [Online] Available Website: <http://www.themakogroup.com/Detail.aspx?PROD=1042622>; Last Update Unknown; Accessed on: Sep. 18, 2014.

Mako_Group_Quick_Release_Tactical_Vertical_Grip Mako Group Quick Release Tactical Vertical Grip with Battery Compartment; Website [Online] Available Website: <http://www.themakogroup.com/Detail.aspx?PROD=1042885>; Last Update: Unknown; Accessed on: Sep. 18, 2014.

Mako_Group_Rubberized_Pistol_Grip_M16_M4_AR-15 Mako Group Rubberized Pistol Grip for M16/M4/AR-15; Website [Online] Available Website: <http://www.themakogroup.com/Detail.aspx?PROD=1042623&CAT=8667>; Last Update: Unknown; Accessed on: Sep. 4, 2014.

Mako_Group_Tactical_Pivoting_QR_Vertical_Foregrip Mako Group Tactical Pivoting QR Vertical Foregrip with Integrated Adjustable Bipod—Gen 2; Website [Online] Available Website: <http://www.themakogroup.com/Detail.aspx?PROD=1042875>; Last Update: Unknown; Accessed on: Sep. 18, 2014.

Mako_Group_Tactical_Vertical_Foregrip Mako Group Tactical Vertical Foregrip with Integrated Adjustable Bipod and 1" flashlight adapter—Gen 2; Website [Online] Available Website: <http://www.themakogroup.com/Detail.aspx?PROD=1042874>; Last Update: Unknown; Accessed on: Sep. 18, 2014.

(56)

References Cited

OTHER PUBLICATIONS

MidwayUSA_2011_Hogue_OverMolded_Pistol_Grip_AR-15_Rubber MidwayUSA (Nov. 13, 2011) Hogue OverMolded Pistol Grip AR-15 Rubber; Website [Online] Available Website: <http://www.midwayusa.com/product/1151348749/hogue-overmolded-pistol-grip-ar-15-rubber>; Last Update: Dec. 12, 2013; Accessed on: Sep. 8, 2014.

MidwayUSA_2012_Beretta_Vertical_Forend_Grip_w_Logo MidwayUSA (Mar. 26, 2012) Beretta Vertical Forend Grip 2-Position Folding Beretta Cx4 Storm with Beretta Logo; Website [Online] Available Website: <http://www.midwayusa.com/product/523585/beretta-vertical-forend-grip-2-position-folding-bretta-cx4-storm-with-beretta-logo>; Last Update: Nov. 4, 2012; Accessed on: Sep. 17, 2014.

MidwayUSA_2013_Advanced_Technology_Vertical_Forend_Grip MidwayUSA (Mar. 17, 2013) Advanced Technology Vertical Forend Grip 5-Position Folding Fits Picatinny Rail Polymer; Website [Online] Available Website: <http://www.midwayusa.com/product/111125747/advanced-technology-vertical-forend-grip-5-position-folding-fits-picatinny-rail-polymer>; Last Update: Jun. 2, 2013; Advanced on: Sep. 17, 2014.

MidwayUSA_2013_Mission_First_Tactical_G27_Tactical_Pistol_Grip MidwayUSA (Jan. 1, 2013) Mission First Tactical G27 Tactical Pistol Grip with Storage Compartment AR-15 Polymer; Website [Online] Available Website: <http://www.midwayusa.com/product/3022325112/mission-first-tactical-g27-tactical-pistol-grip-with-storage-compartment-ar-15-polymer>; Last Update: Oct. 26, 2013; Accessed: Oct. 10, 2014.

MidwayUSA_2014_Hogue_Overmolded_Grip MidwayUSA (Sep. 4, 2014) Hogue Overmolded Grip & G10 Grip; Website [Online] Available Website: <http://media.midwayusa.com/productimages/880x660/Primary/493/493634.jpg>; Last Update: Unknown; Accessed on: Sep. 22, 2014.

Mission_First_Tactical_2011_MFT_Classic_VG1 Mission First Tactical (Oct. 28, 2011) MFT Classic™ VG1 Quick Detach Vertical Grip; Website [Online] Available Website: <http://www.missionfirsttactical.com/Products/Vertical-Grips/Quick-Detach-Vertical-Grip>; Last Update: Unknown; Accessed on: Sep. 18, 2014.

Mission_First_Tactical_2011_React_Folding_Grip Mission First Tactical (Oct. 28, 2011) React™ Folding Grip; Website [Online] Available Website: <http://www.missionfirsttactical.com/Products/Vertical-Grips/RAECT-Folding-Grip>; Last Update: Unknown; Accessed on: Sep. 18, 2014.

Mission_First_Tactical_2011_React_Full_Size_Grip Mission First Tactical (Oct. 28, 2011) React™ Full Size Grip; Website [Online] Available Website: <http://www.missionfirsttactical.com/Products/Vertical-Grips/REACT-Ergonomic-Vertrical-Grip>; Last Update: Unknown; Accessed on: Sep. 18, 2014.

Mission_First_Tactical_2011_React_Magwell_Grip Mission First Tactical (Oct. 28, 2011) React™ Magwell Grip; Website [Online] Available Website: <http://www.missionfirsttactical.com/Products/Vertical-Grips/REACT-Magwell-Grip>; Last Update: Apr. 23, 2013; Accessed on Sep. 18, 2014.

Mission_First_Tactical_2011_React_Short_Grip Mission First Tactical (Oct. 28, 2011) React™ Short Grip; Website [Online] Available Website: <http://www.missionfirsttactical.com/Products/Vertical-Grips/REACT-Short-Vertical-Grip>; Last Update: Unknown; Accessed on: Sep. 18, 2014.

Mission_First_Tactical_2011_React_Torch_Grip Mission First Tactical (Oct. 28, 2011) React™ Torch Grip; Website [Online] Available Website: <http://www.missionfirsttactical.com/Products/Vertical-Grips/REACT-Torch-and-Vertical-Grip>; Last Update: Unknown; Accessed on: Sep. 18, 2014.

Ozark_Surplus_M16_M16A1_Original_Pistol_Grip Ozark Surplus M16/M16A1 Original Pistol Grip; Website [Online] Available Website: <http://www.ozarksurplus.com/M16-M16A1-Original-Pistol-Grip-M16PSTLGRP.htm>; Last Update: Unknown; Accessed on: Sep. 4, 2014.

Pro_Mag_Industries_2014_PM007_AR-15_M16_Swiss_Pattern Pro Mag Industries (Feb. 10, 2014) PM007—AR-15/M16

“Swiss Pattern” Vertical Fore Grip—Black Polymer; Website [Online] Available Website: <http://promagindustries.com/ar-15-accessories/156-ar-15m16-swiss-pattern-vertical-fore-grip-black-polymer.html>; Last Update: Jul. 1, 2014; Accessed on: Sep. 18, 2014.

Pro_Mag_Industries_2014_PM191_Picatinny_Rail_Vertical_Fore_Grip Pro Mag Industries (Feb. 13, 2014) PM191—Picatinny Rail Vertical Fore Grip and Adapter; Website [Online] Available Website: <http://promagindustries.com/rail-adapters/354-picatinny-rail-vertical-fore-grip-and-adapter.html>; Last Update: Jul. 2, 2014; Accessed on: Sep. 18, 2014.

Samson_Evolution_Vertical_Grip_AL_Short Samson Manufacturing Evolution Vertical Grip (AL short); Website [Online] Available Website: http://www.samson-mfg.com/mm5/merchant.mvc?Screen=PROD&Store_Code=SM&Product_Code=Evolution-Grip-VG02s&Category_Code=EVOLUTION_ACCESSORIES; Last Update: Unknown; Accessed on: Sep. 18, 2014.

Samson_Evolution_Vertical_Grip_Long Samson Manufacturing Evolution Vertical Grip (AL Long); Website [Online] Available Website: http://www.samson-mfg.com/mm5/merchant.mvc?Screen=PROD&Store_Code=SM&Product_Code=Evolution-Grip-VG02&Category_Code=EVOLUTION_ACCESSORIES; Last Update: Unknown; Accessed on Sep. 18, 2014.

Samson_Evolution_Vertical_Grip_Plastic_Long Samson Manufacturing Evolution Vertical Grip (Plastic Long); Website [Online] Available Website: http://www.samson-mfg.com/mm5/merchant.mvc?Screen=PROD&Store_Code=SM&Product_Code=Evolution-Grip-VG01&Category_Code=EVOLUTION_ACCESSORIES; Last Update: Unknown; Accessed on: Sep. 18, 2014.

Sog_Armory_ABS_Vertical_Grip Sog Armory SOG ABS Vertical Grip; Website [Online] Available Website: <http://www.sogarmory.com/Product.aspx?ProductId=101226&Catid=0&ParentId=0>; Last Update: Unknown; Accessed on: Sep. 18, 2014.

Sog_Armory_Graphite_Vertical_Grip Sog Armory SOG Graphite Vertical Grip With Quick Detach Lockdown Post; Website [Online] Available Website: <http://www.sogarmory.com/Product.aspx?ProductId=101452&Catid=0&ParentId=0>; Last Update: Unknown; Accessed on: Sep. 18, 2014.

SureFire_2012_M900L_Vertical_Foregrip_LED_WeaponLight SureFire (Dec. 16, 2012) M900L Vertical Foregrip LED WeaponLight; Website [Online] Available Website: <http://www.surefire.com/m900l-weaponlight.html>; Last Update: Sep. 7, 2013; Accessed on: Sep. 18, 2014.

SureFire_2012_M900LT_Vertical_Foregrip_LED_WeaponLight_Extedned_Range SureFire (Dec. 7, 2012) M900LT Vertical Foregrip LED WeaponLight—Extended Range; Website [Online] Available Website: <http://www.surefire.com/m900lt-weaponlight.html>; Last Update: Aug. 10, 2014; Accessed on: Sep. 18, 2014.

SureFire_2012_M900V_Vertical_Foregrip_LED_WeaponLight SureFire.com (Jul. 2, 2012) M900V Vertical Foregrip LED WeaponLight—White and IR Output; Website [Online] Available Website: <http://www.surefire.com/m900v.html>; Last Update: Oct. 4, 2013; Accessed on: Sep. 18, 2014.

Tacstar_2014_AR-15_Tactical_Front_Rear_Grips TacStar (Sep. 8, 2014) AR-15 Tactical Front & Rear Grips; Website [Online] Available Website: <http://www.tacstar.com/home/ar-15-grip.php>; Last update: Unknown; Accessed on: Sep. 18, 2014.

TangoDown_2013_TangoDown_BattleGrip_BG-16 TangoDown (Oct. 28, 2013) TangoDown Battlegrip BG-16; Website [Online] Available Website: <http://tangodown.com/shop/tangodown-battlegrip-bg-16/>; Last Update: Unknown; Accessed on: Sep. 4, 2014.

Tapco_2011_Vertical_Grip_Black Tapco (Nov. 6, 2011) Vertical Grip—Black; Website [Online] Available Website: http://www.tapco.com/products/gear/index.php?_a=viewProd&productId=279; Last Update: Oct. 6, 2013; Accessed on: Sep. 18, 2014.

Tapco_2011_Vertical_Grip_Short_Black Tapco Vertical Grip, Short—Black; Website [Online] Available Website: <http://www>

(56)

References Cited

OTHER PUBLICATIONS

tapco.com/products/index.php?_a=viewProd&productId=282; Last Update: Unknown; Accessed on: Sep. 18, 2014.

Tapco_Vertical_Grip_and_Bipod Tapco Vertical Grip and Bipod; Website [Online] Available Website: http://www.tapco.com/product/gear/index.php?_a=viewProd&productId=293; Last Update: Unknown; Accessed on Sep. 18, 2014.

Tapco_Vertical_Grip_Bipod Tapco Vertical Grip Bipod; Website [Online] Available Website: http://www.tapco.com/products/gear/index.php?_a=viewProd&productId=236; Last Update: Unknown; Accessed on: Sep. 18, 2014.

Troy_2014_Grip_CQB_Vertical_Aluminum_Black Troy Industries (Apr. 23, 2014) Grip, CQB Vertical, Aluminum—Blk; Website [Online] Available Website: <https://troyind.com/products/grip-cqb-vertical-aluminum-blk>; Last Update: Unknown; Accessed on: Sep. 18, 2014.

Troy_2014_Modular_Combat_Grip_Black Troy Industries (Apr. 23, 2014) Modular Combat Grip—Blk; Website [Online] Available Website: <https://troyind.com/products/modular-combat-grip-blk>; Last Update: Unknown; Accessed on: Sep. 18, 2014.

Design U.S. Appl. No. 29/410,910, filed Jan. 13, 2012, “PMAG 30M3 Firearm Magazine” by Fitzpatrick Issued.

Design U.S. Appl. No. 29/420,155, filed May 4, 2012, “Translucent Magazine for a Firearm” by Fitzpatrick.

Design U.S. Appl. No. 29/423,116, filed May 29, 2012, “M3 10 Magazine” by Bennett Issued.

Design U.S. Appl. No. 29/423,117, filed May 29, 2012, “M3 20 Magazine” by Bennett.

Design U.S. Appl. No. 29/440,787, filed Dec. 27, 2012, “Firearm Magazine” by Mayberry.

Design U.S. Appl. No. 29/440,889, filed Dec. 28, 2012, “Firearm Magazine” by Kielsmeier.

Design U.S. Appl. No. 29/440,792, filed Dec. 27, 2012, “Firearm Magazine with Window” by Kielsmeier.

Design U.S. Appl. No. 29/450,963, filed Mar. 26, 2013, “Magazine for a Firearm” by Nakayama.

Design U.S. Appl. No. 29/450,964, filed Mar. 26, 2013, “Magazine for a Firearm” by Nakayama.

VISM_QR_Vertical_Grip VISM QR Vertical Grip; Website [Online] Available Website: <http://vism.com/vism-product/product-list-MountAccToolsHG.aspx?productseries=QR%20Vertical%20Grip>; Last Update: Unknown; Accessed on: Sep. 18, 2014.

Wikipedia_2003_AK-47 Wikipedia (Dec. 29, 2003) AK-47; Website [Online] Available Website: <http://en.wikipedia.org/wiki/AK-47>; Last Update: Aug. 28, 2014; Accessed: Sep. 4, 2014.

Wikipedia_2005_ArmaLite_AR-18 Wikipedia (Dec. 15, 2005) ArmaLite AR-18; Website [online] Available Website: http://en.wikipedia.org/wiki/ArmaLite_AR-18; Last Update: Oct. 24, 2013; Accessed on Sep. 4, 2014.

Wikipedia_2005_Heckler_Koch_MP5 Wikipedia (Mar. 31, 2005) Heckler & Koch MP5; Website [Online] Available Website: http://en.wikipedia.org/wiki/Heckler_%26_Koch_MP5; Last Update: Aug. 17, 2014; Accessed on: Sep. 8, 2014.

Wikipedia_2007_Heckler_Koch_HK416 Wikipedia (Oct. 15, 2007) Heckler & Koch HK₄₁₆; Website [Online] Available Website: http://en.wikipedia.org/wiki/Heckler_%26_Koch_HK416; Last Update: May 29, 2014; Accessed on: Sep. 22, 2014.

Wikipedia_2007_Heckler_Koch_HK416 Wikipedia (Oct. 15, 2007) Heckler & Koch HK₄₁₆; Website [Online] Available Website: http://en.wikipedia.org/wiki/Heckler_%26_Koch_HK416; Last Update: May 29, 2014; Accessed on: Sep. 22, 2014.

* cited by examiner

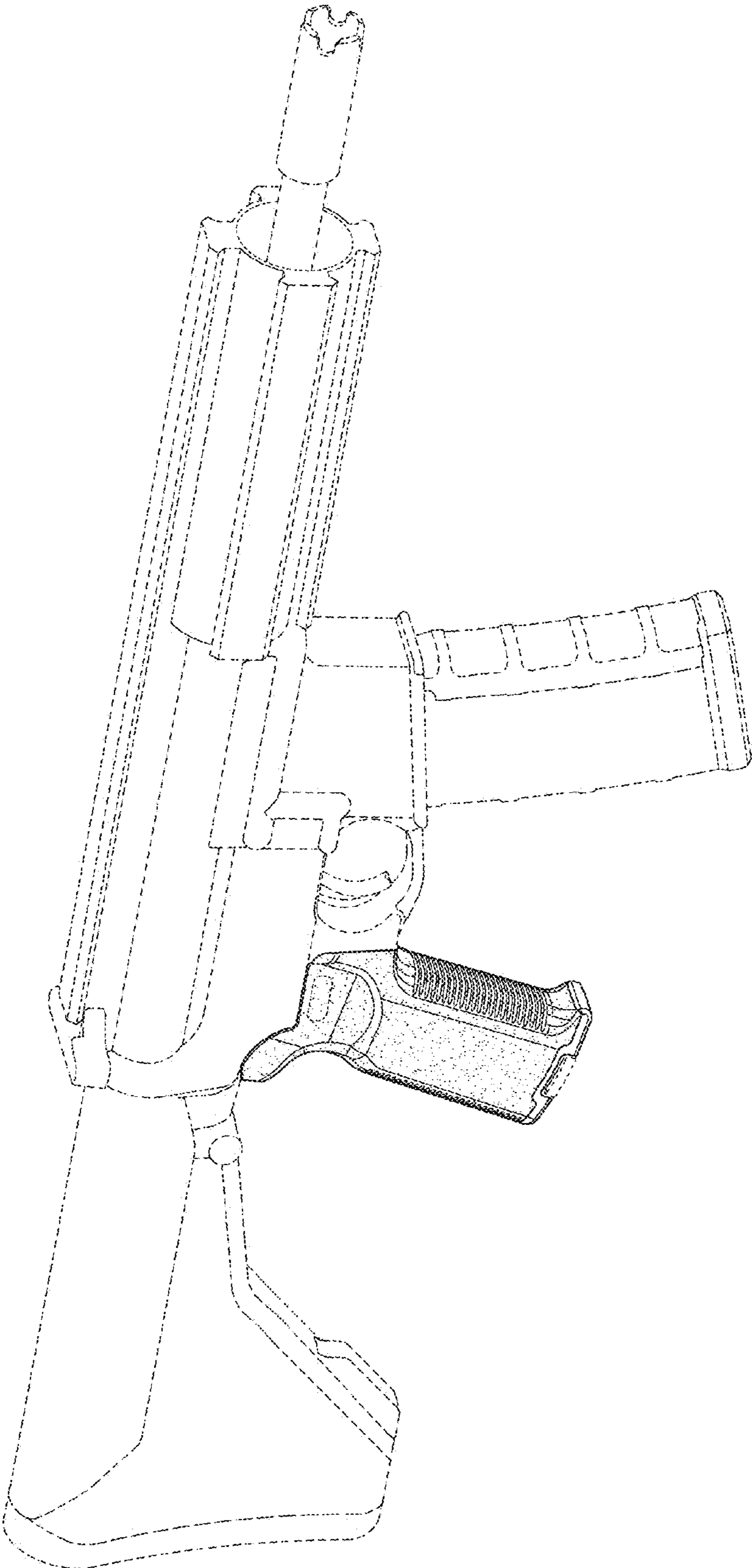


FIG. 1

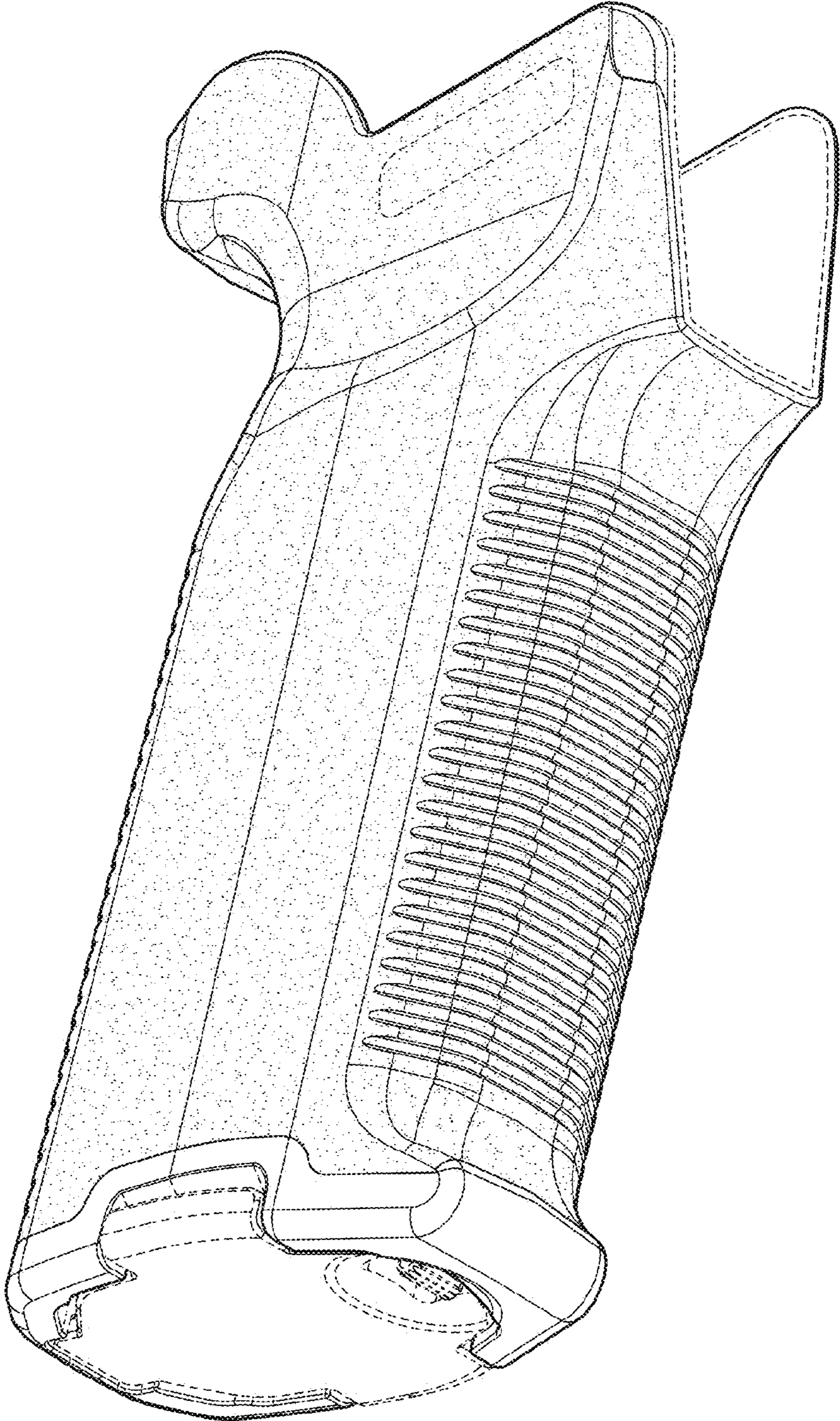


FIG. 2

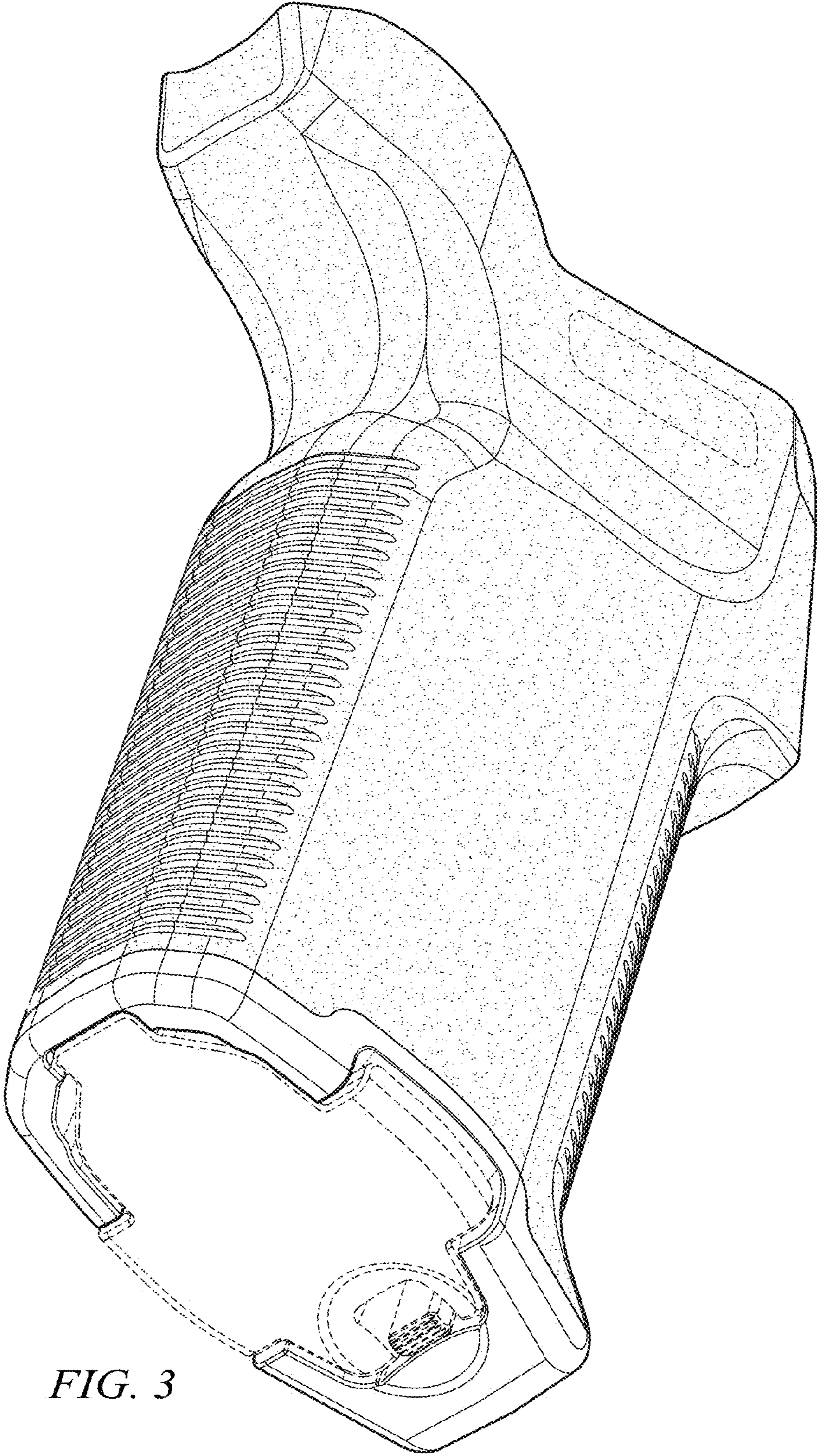


FIG. 3

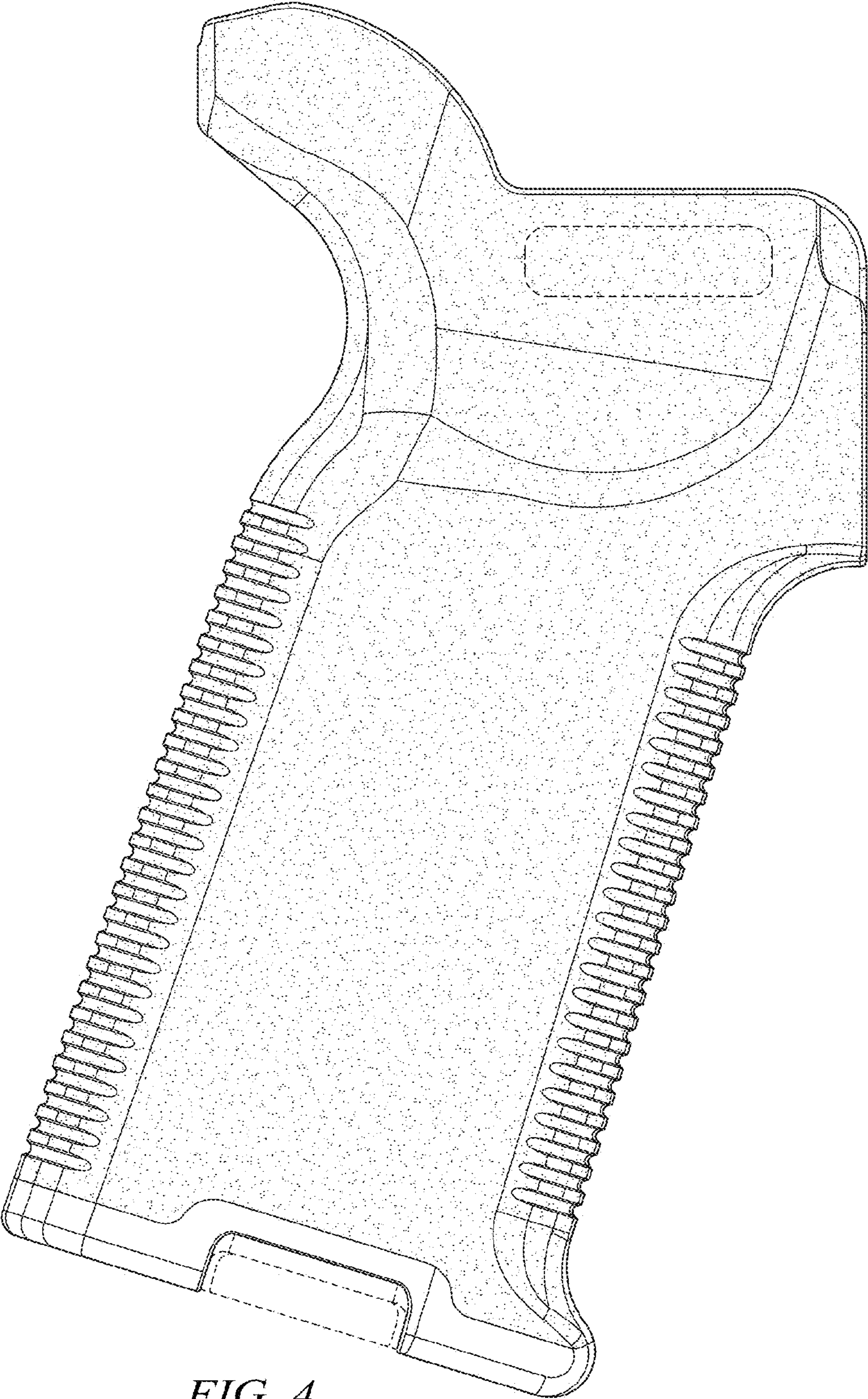


FIG. 4

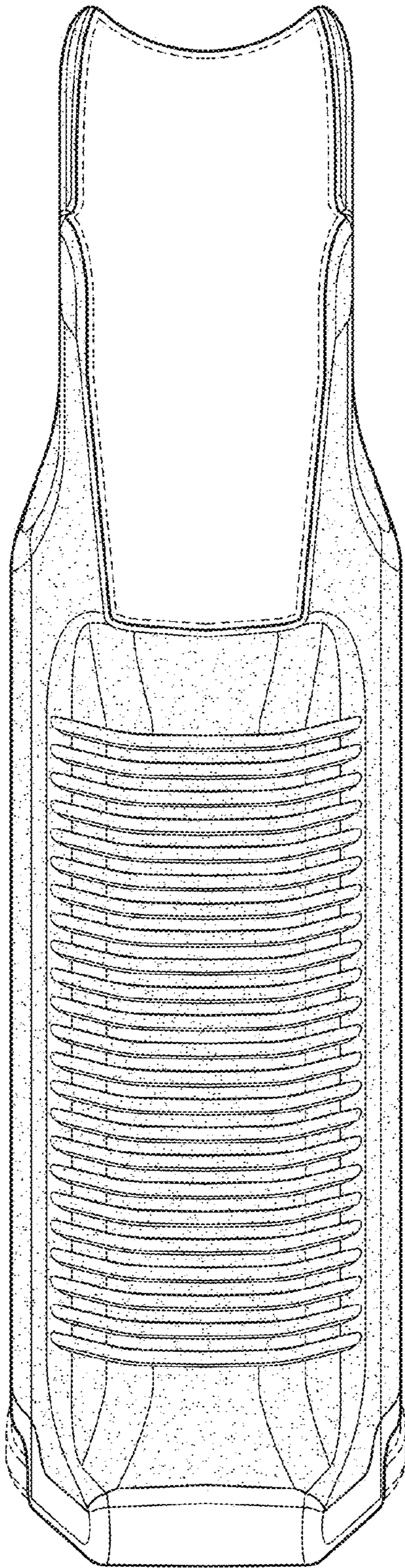


FIG. 5

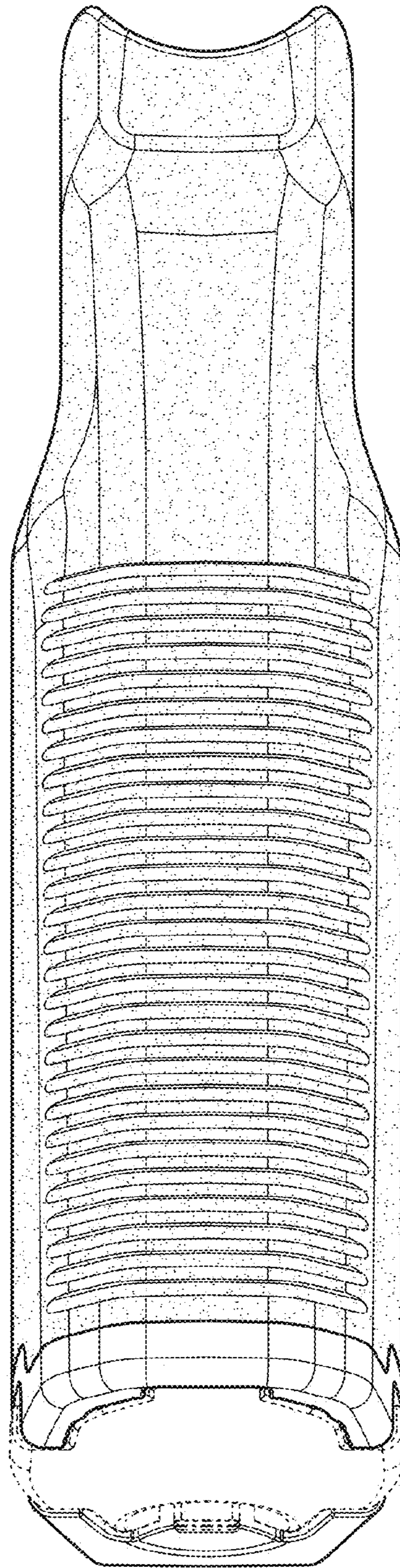


FIG. 6

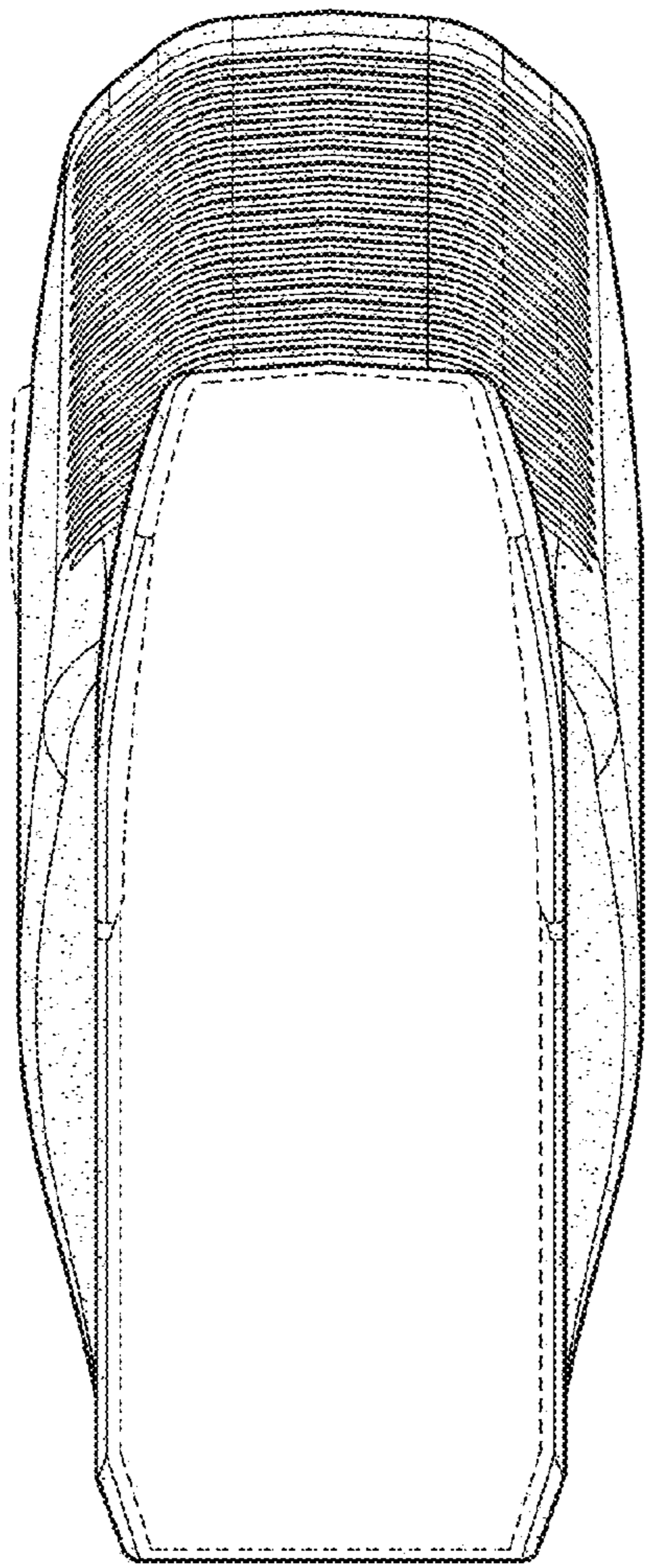


FIG. 7

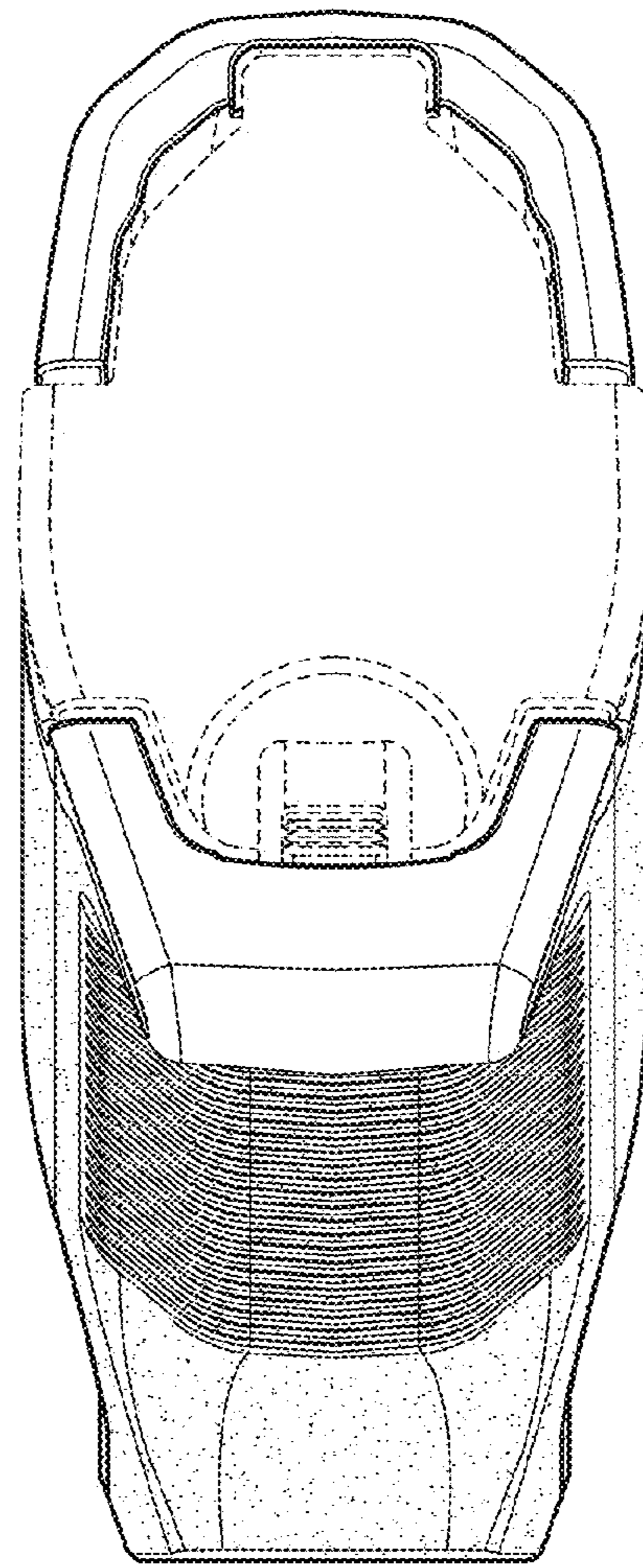


FIG. 8

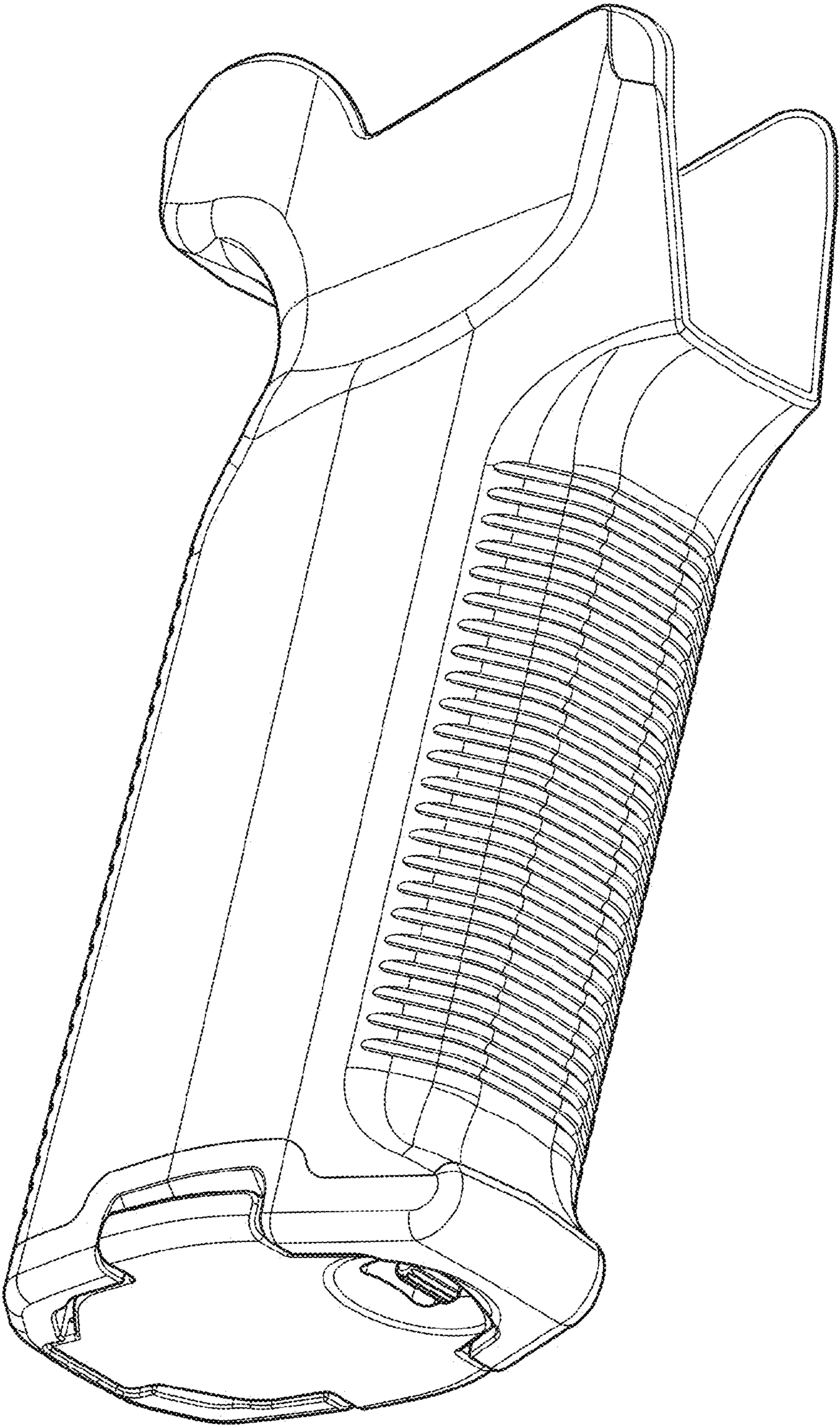


FIG. 9

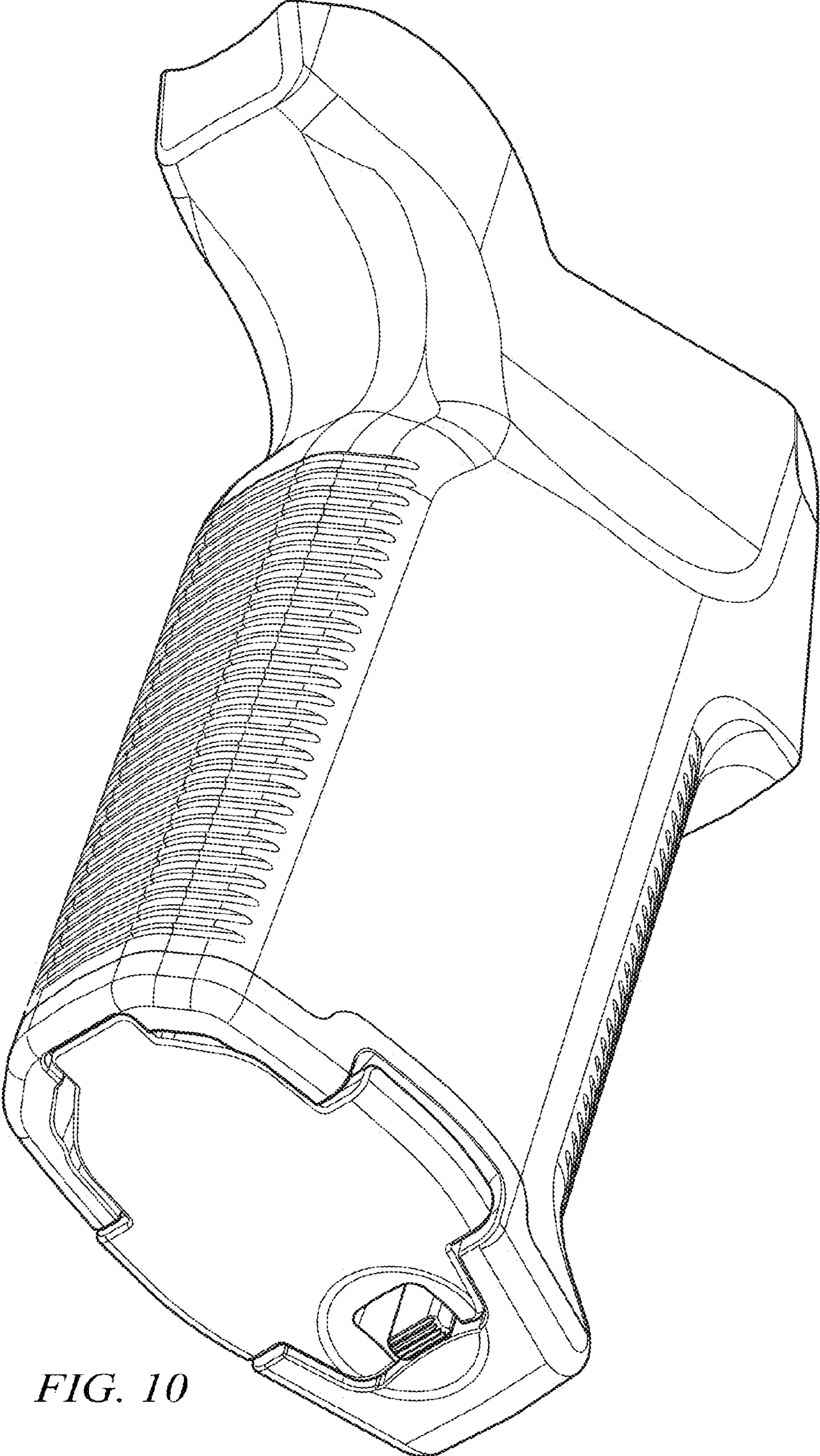


FIG. 10

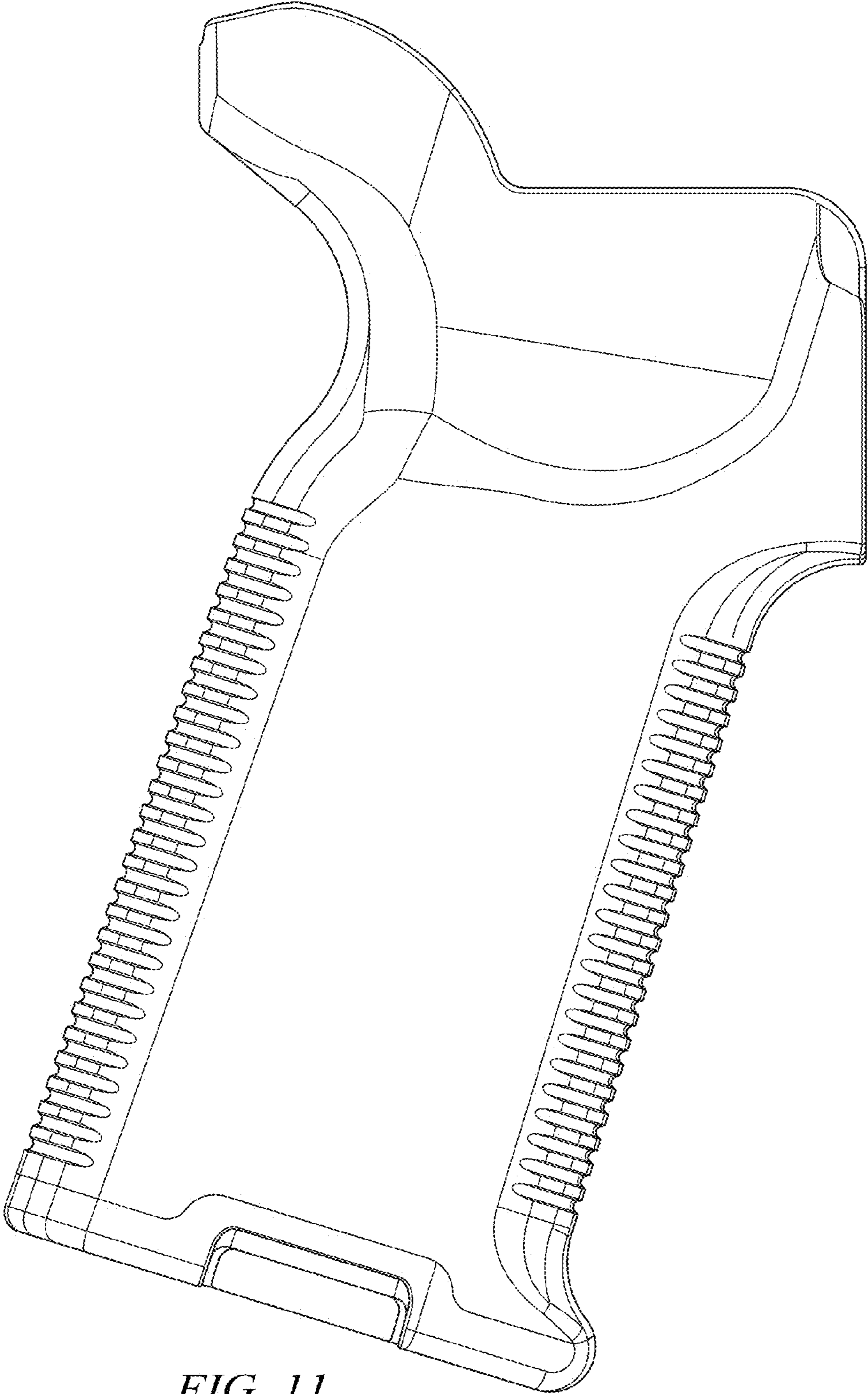


FIG. 11

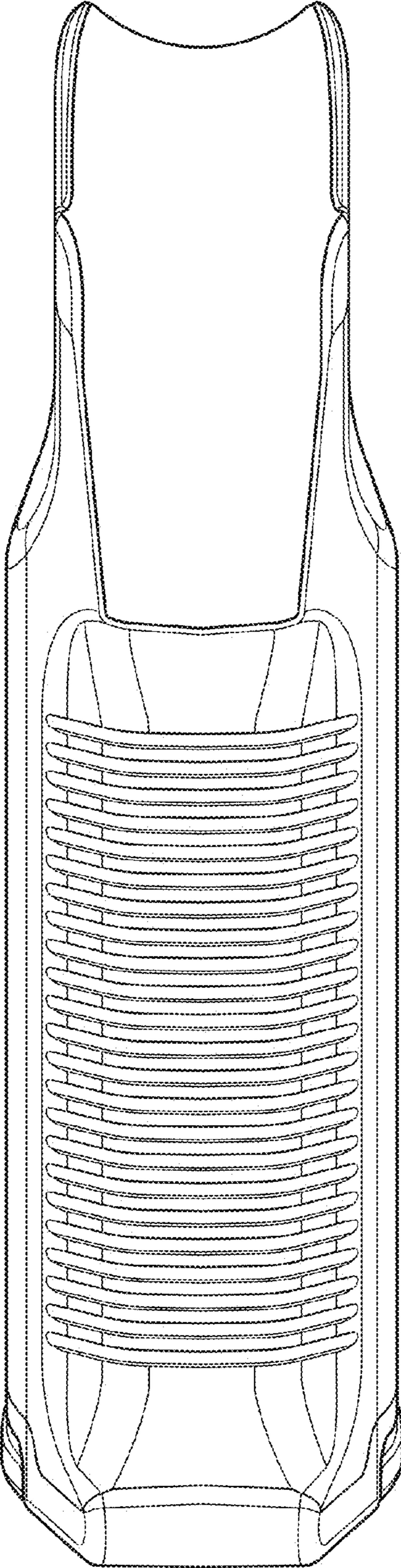


FIG. 12

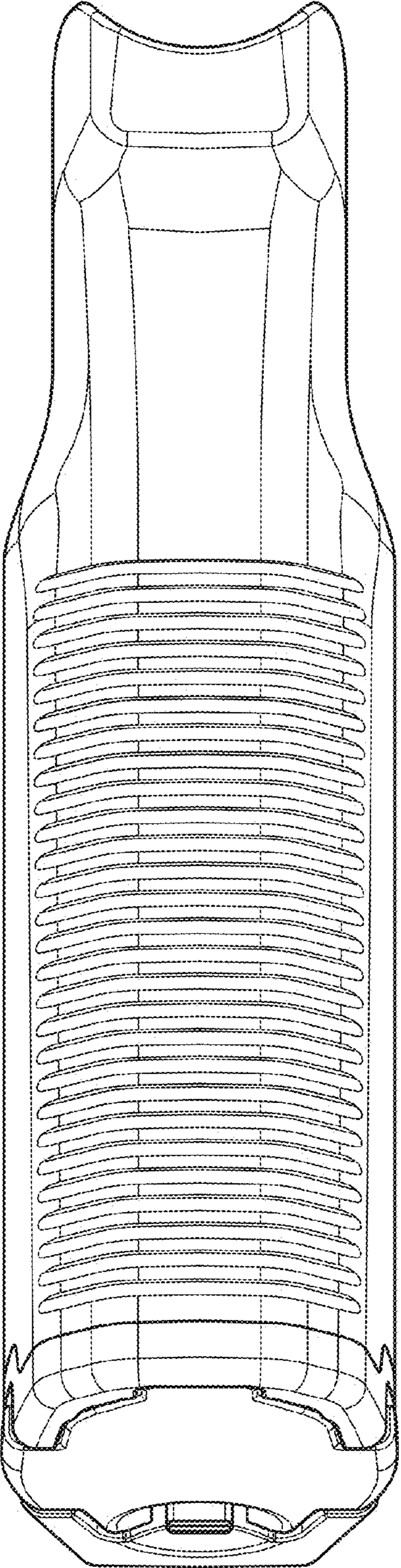


FIG. 13

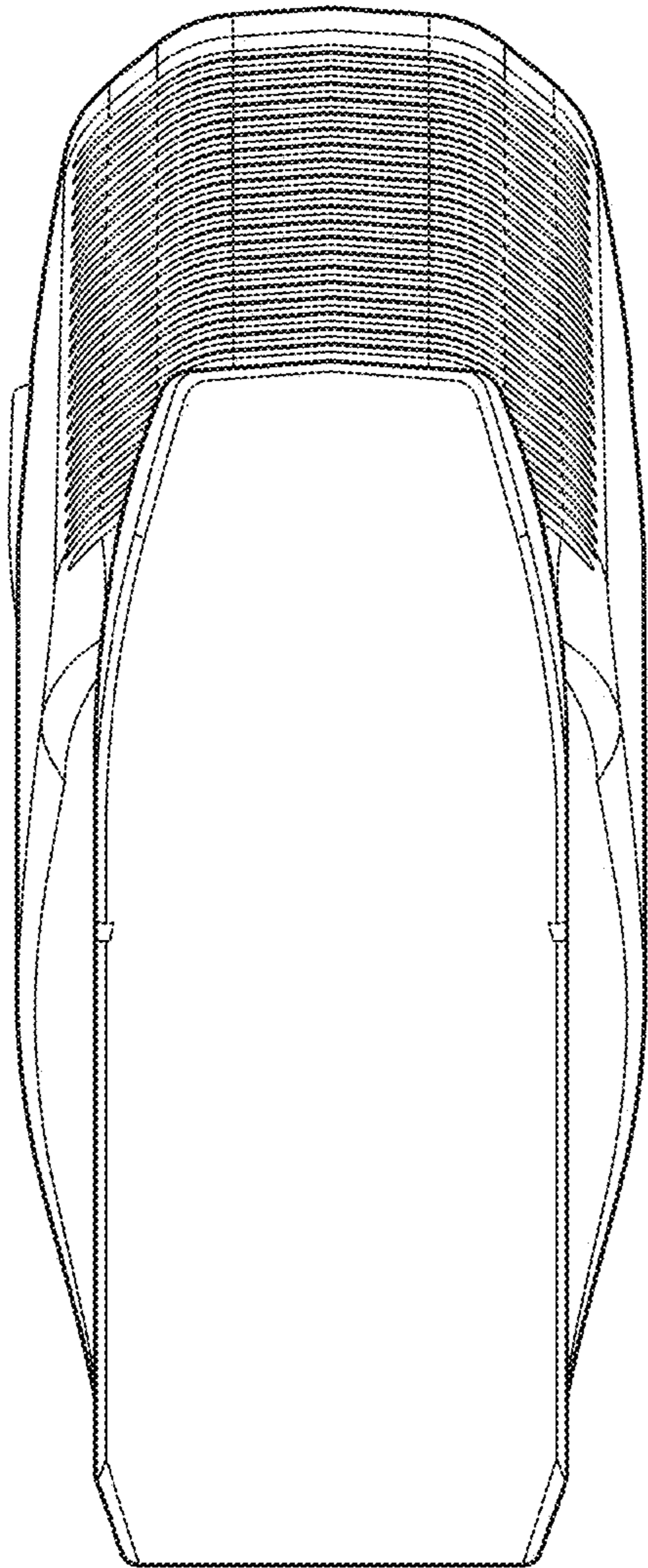


FIG. 14

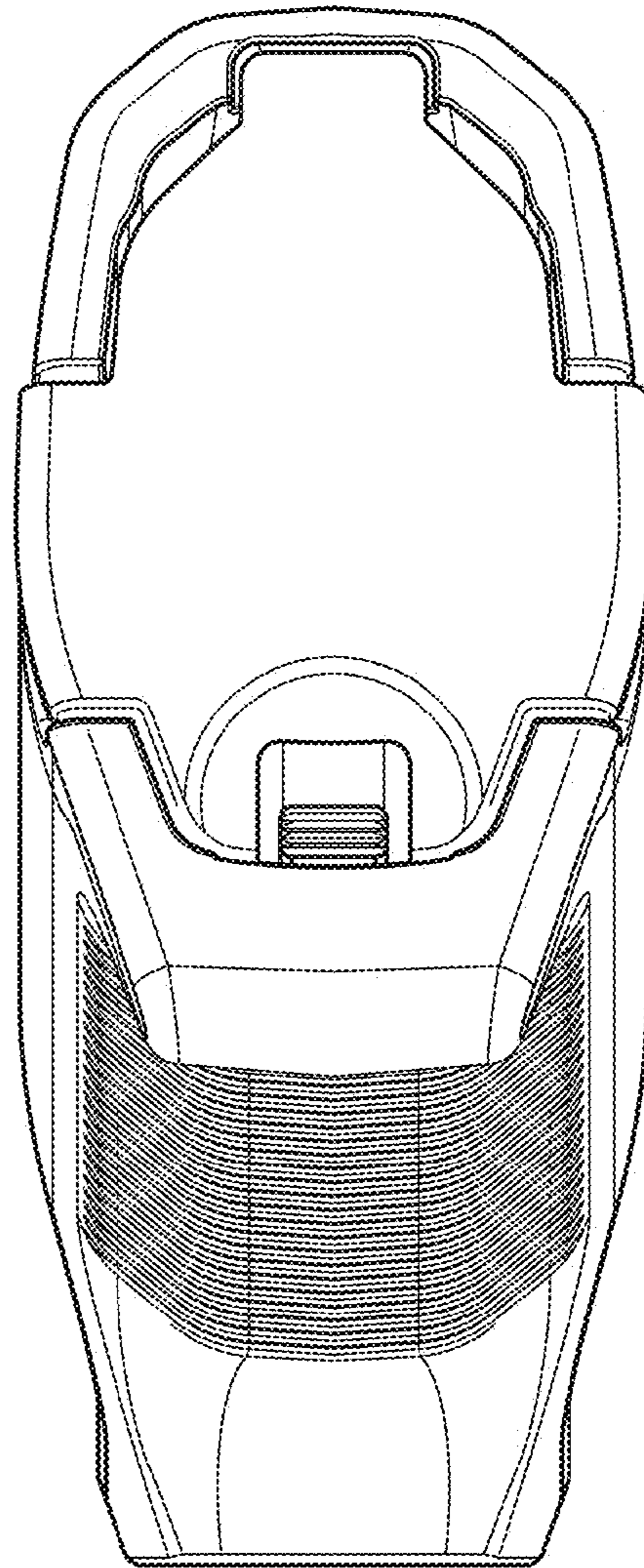


FIG. 15