



US00D742985S

(12) **United States Design Patent**  
**Hudson, III et al.**

(10) **Patent No.:** **US D742,985 S**  
(45) **Date of Patent:** **\*\* Nov. 10, 2015**

- (54) **SEMI-AUTOMATIC PISTOL**
- (71) Applicant: **Billie Cyril Hudson, III**, Georgetown, TX (US)
- (72) Inventors: **Billie Cyril Hudson, III**, Georgetown, TX (US); **Eugene Cannon Kane, II**, North Canton, OH (US)
- (73) Assignee: **Billie Cyril Hudson, III**, Georgetown, TX (US)
- (\*\*) Term: **14 Years**
- (21) Appl. No.: **29/494,027**
- (22) Filed: **Jun. 17, 2014**
- (51) **LOC (10) Cl.** ..... **22-01**
- (52) **U.S. Cl.**  
USPC ..... **D22/104**
- (58) **Field of Classification Search**  
USPC ..... D22/104; 89/40.06, 41.19, 37.04, 89/33.04, 191.01, 200-204; D21/145, D21/146, 147, 567, 572, 573-575; 42/40, 42/41, 42.01, 42.02, 42.03, 43, 44, 45, 57, 42/69.01, 71.02, 72, 100; 124/31, 37; 362/110, 113  
CPC ..... F41C 3/00; F41C 3/005; F41C 3/02; F41C 3/04; F41C 3/06; F41C 3/14; F41C 3/16; F41C 9/02; F41C 9/04; F41C 9/06; F41C 9/08  
See application file for complete search history.

5,415,075 A	5/1995	Moon	
D359,098 S *	6/1995	Stevens	D22/104
5,906,066 A	5/1999	Felk	
D430,916 S *	9/2000	Bubits	D22/104
D503,208 S *	3/2005	Krieger	D22/104
D505,475 S *	5/2005	Salva	D22/104
7,194,833 B1	3/2007	Curry	
D598,065 S *	8/2009	Vukovic et al.	D22/104
D627,028 S *	11/2010	Coulombier	D22/104
D687,117 S *	7/2013	Yigit	D22/104
D688,764 S *	8/2013	Yigit	D22/104
D690,374 S *	9/2013	Lee	D21/574
D692,513 S *	10/2013	Yigit	D22/104
D708,692 S *	7/2014	Sutcu	D22/104
D716,396 S *	10/2014	Rothmann	D22/104
2015/0211822 A1 *	7/2015	Hirschheiter	42/69.01

**FOREIGN PATENT DOCUMENTS**

EP 2 350 550 B9 6/2013

\* cited by examiner

*Primary Examiner* — Michael A Pratt

(74) *Attorney, Agent, or Firm* — Bennet K. Langlotz; Langlotz Patent & Trademark Works, Inc.

(57) **CLAIM**

The ornamental design for a semi-automatic pistol, as shown and described.

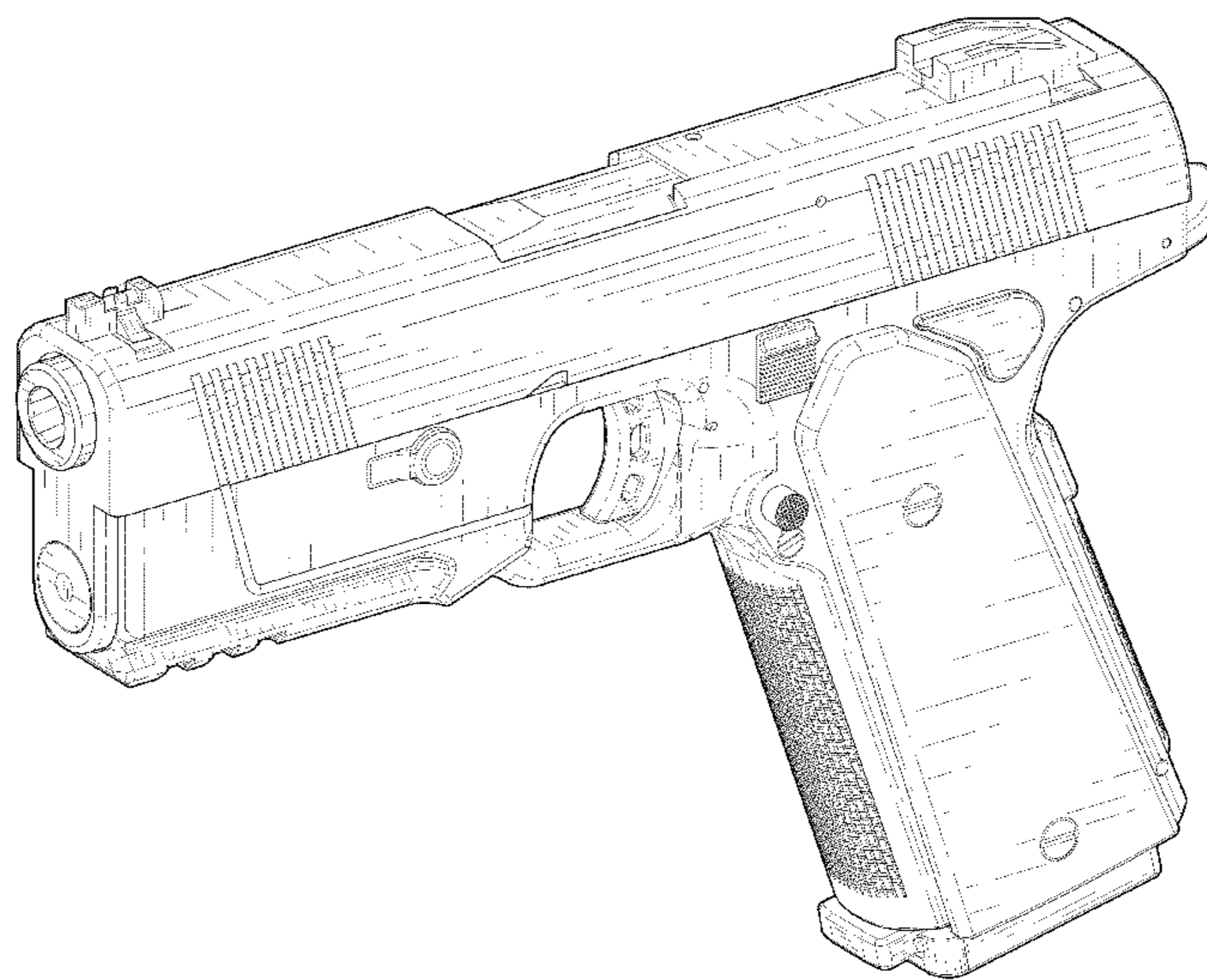
**DESCRIPTION**

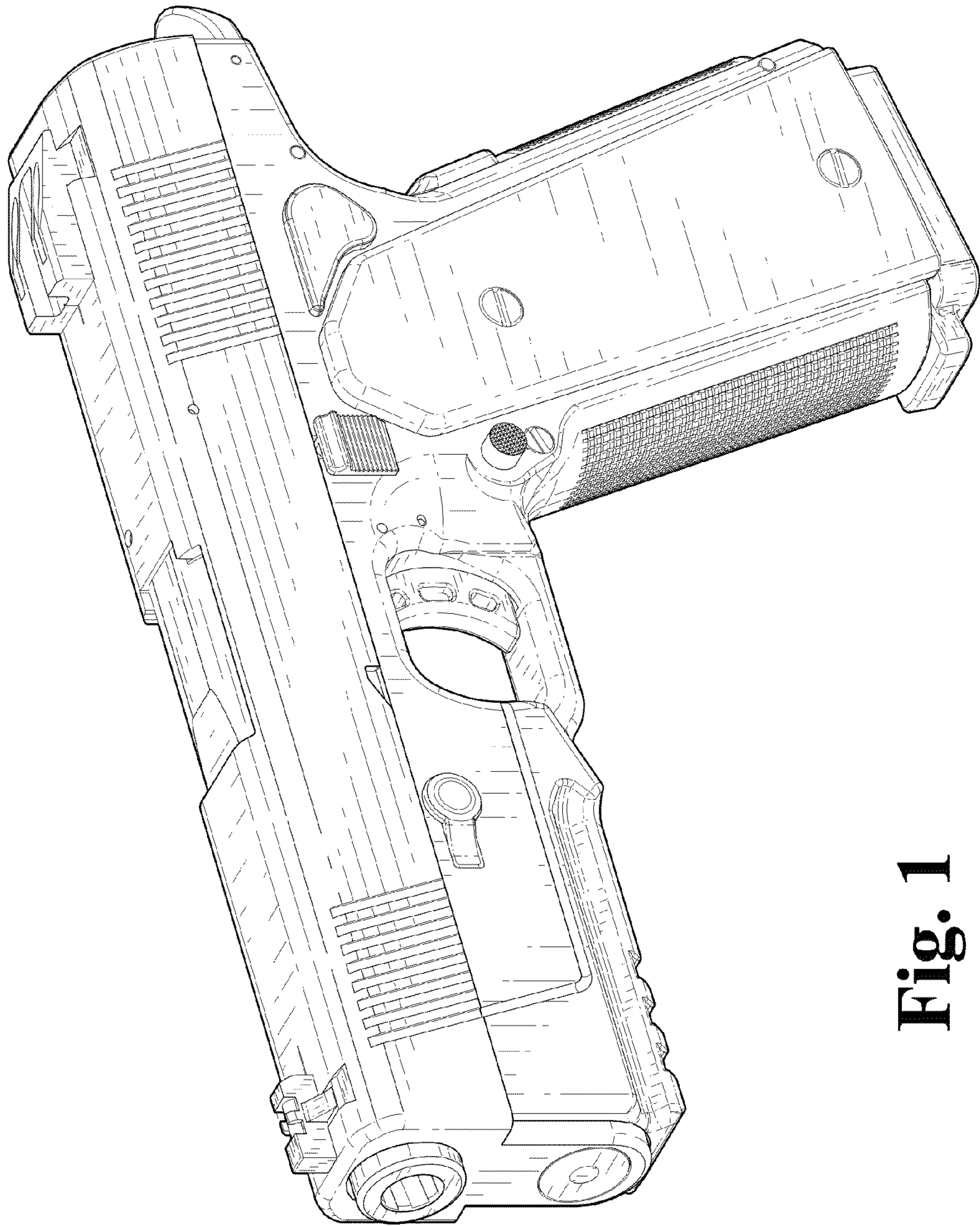
FIG. 1 is a front upper right perspective view of the pistol showing our new design;  
 FIG. 2 is a rear upper left perspective view thereof;  
 FIG. 3 is a front lower right perspective view thereof;  
 FIG. 4 is a right side elevational view thereof;  
 FIG. 5 is a top plan view thereof;  
 FIG. 6 is a left side elevational view thereof;  
 FIG. 7 bottom plan view thereof;  
 FIG. 8 is a front elevational view thereof; and,  
 FIG. 9 is a rear end elevational view thereof.

**1 Claim, 7 Drawing Sheets**

(56) **References Cited**  
**U.S. PATENT DOCUMENTS**

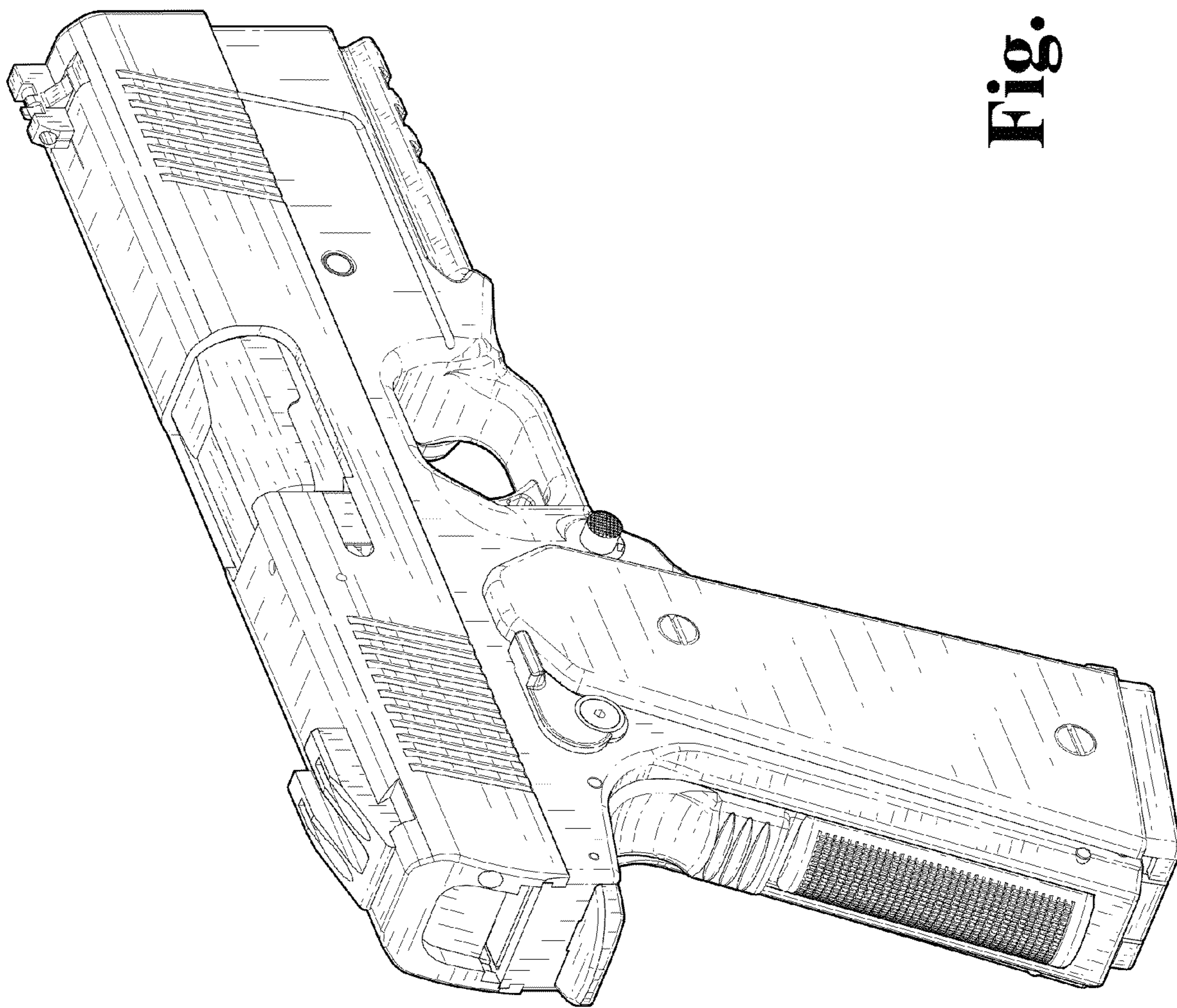
984,519 A	2/1911	Browning
1,618,510 A	2/1927	Browning
4,825,744 A	5/1989	Glock
5,157,209 A	10/1992	Dunn
5,386,659 A	2/1995	Vaid et al.





**Fig. 1**

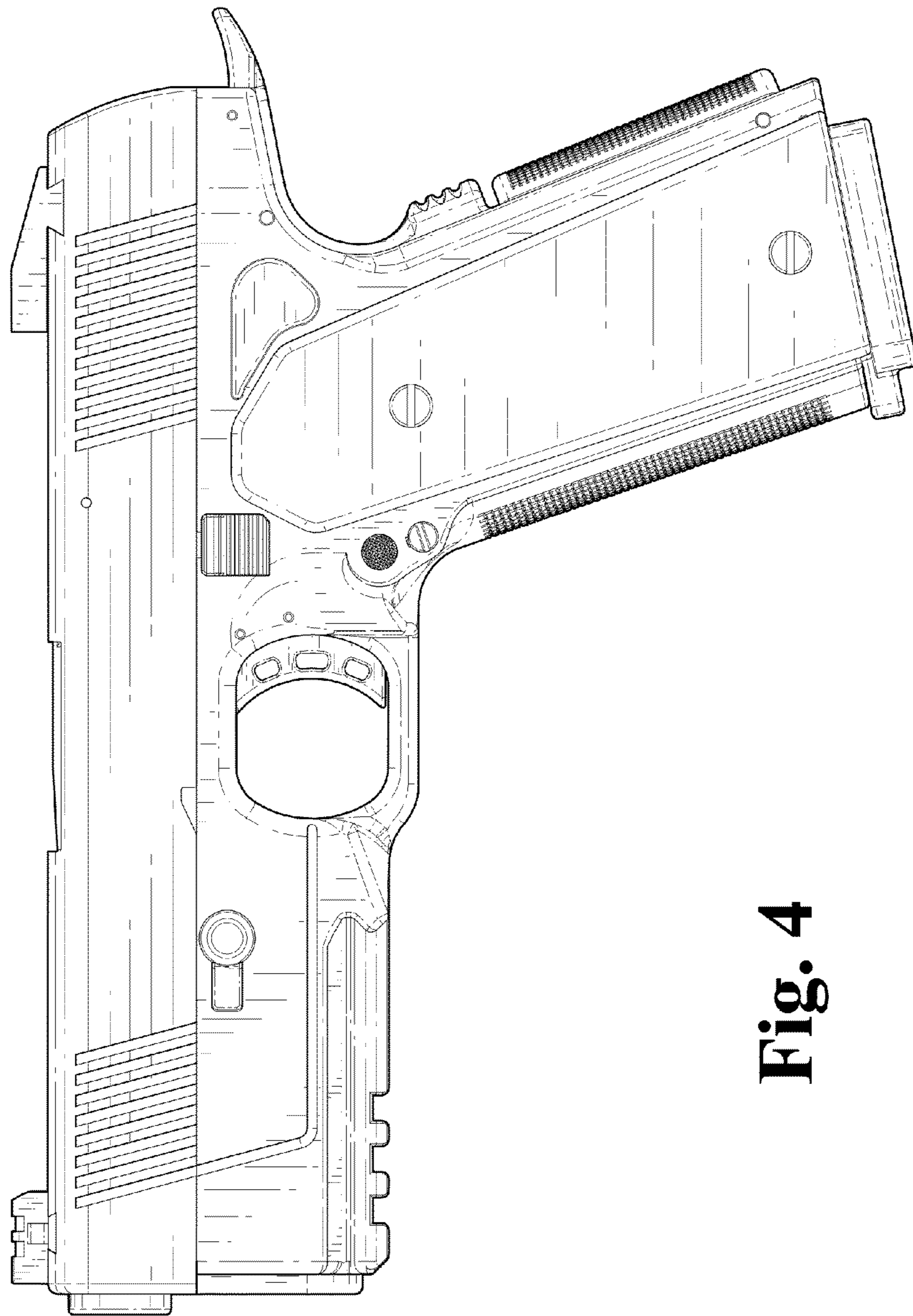




**Fig. 2**

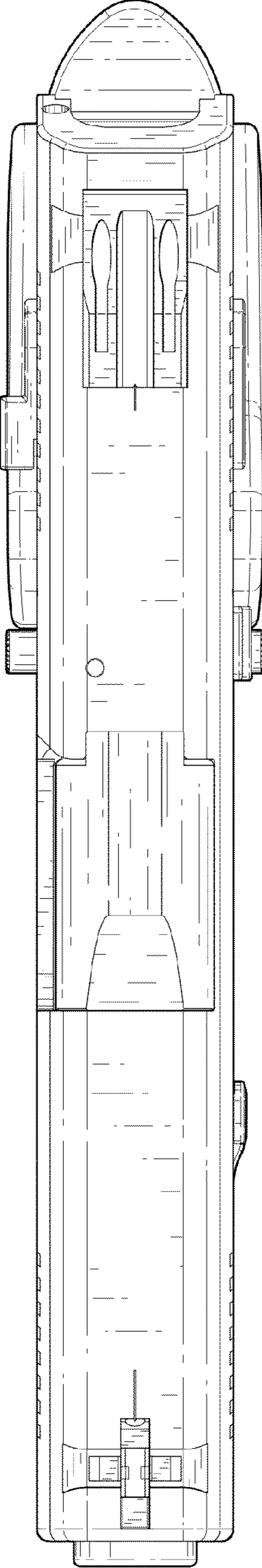


**Fig. 3**

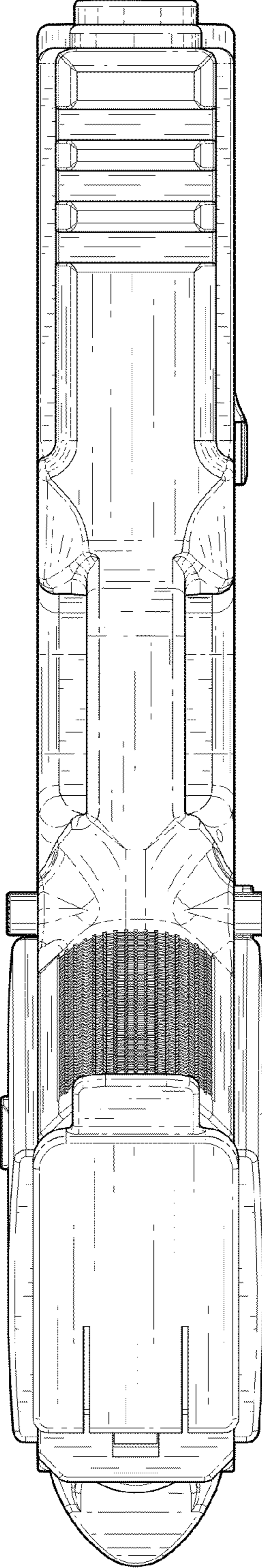


**Fig. 4**

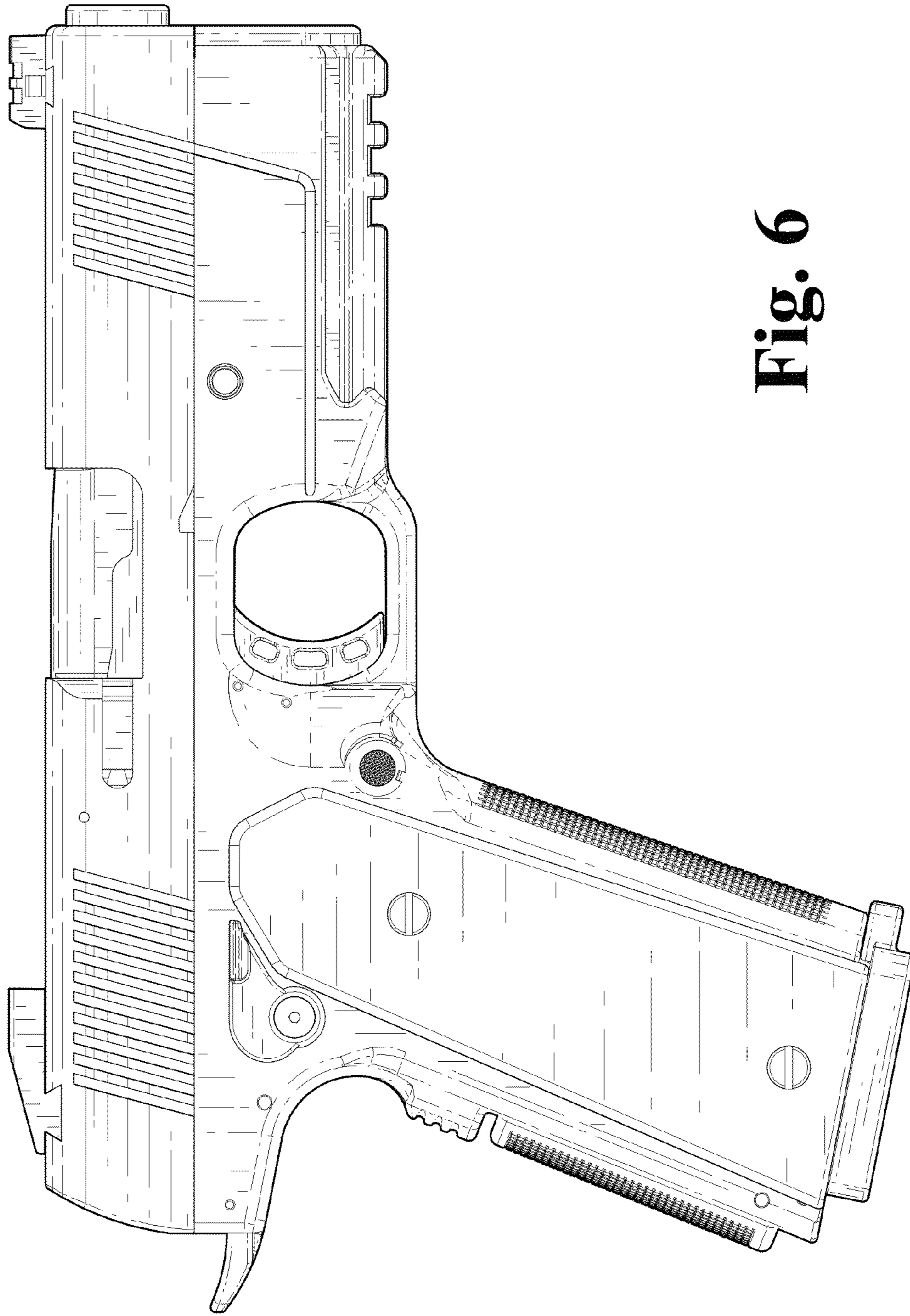




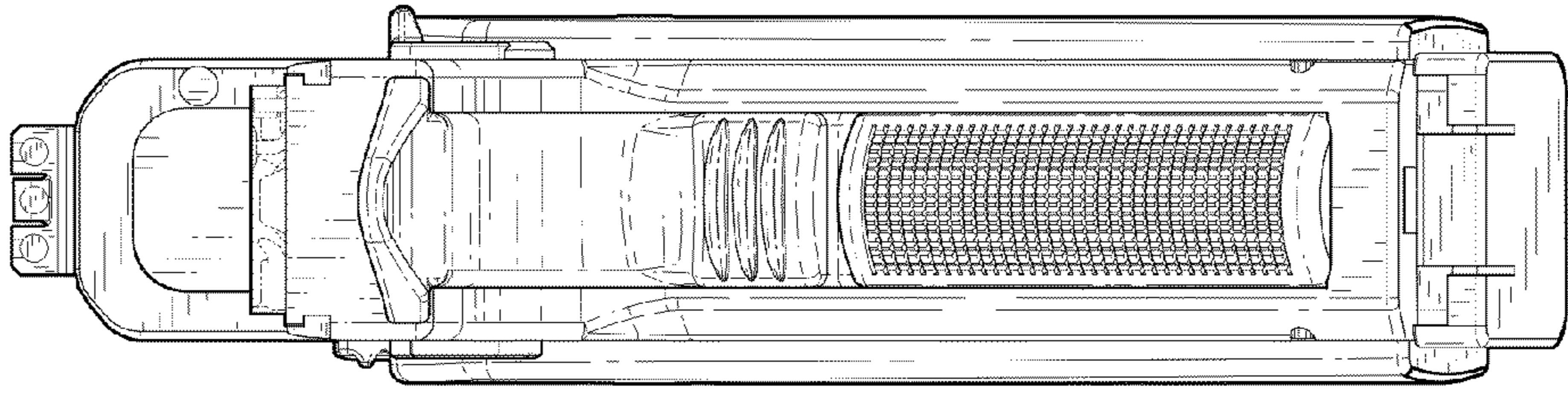
**Fig. 5**



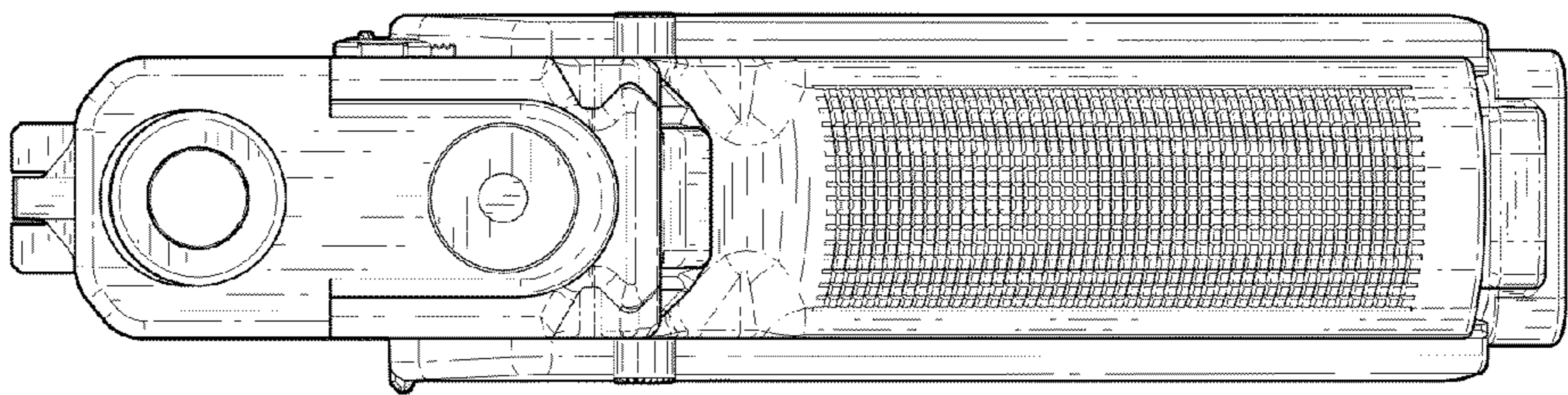
**Fig. 7**



**Fig. 6**



**Fig. 9**



**Fig. 8**