



US00D742980S

(12) **United States Design Patent**
Cameron

(10) **Patent No.:** **US D742,980 S**

(45) **Date of Patent:** **** Nov. 10, 2015**

(54) **PUTTER HEAD**

(71) Applicant: **Acushnet Company**, Fairhaven, MA
(US)

(72) Inventor: **Don T. Cameron**, Carlsbad, CA (US)

(73) Assignee: **Acushnet Company**, Fairhaven, MA
(US)

(**) Term: **14 Years**

(21) Appl. No.: **29/511,861**

(22) Filed: **Dec. 15, 2014**

(51) **LOC (10) Cl.** **21-02**

(52) **U.S. Cl.**
USPC **D21/759**

(58) **Field of Classification Search**
USPC D21/733-753, 759
CPC A63B 53/00-53/08; A63B
2053/002-2053/0495

See application file for complete search history.

(56) **References Cited**

U.S. PATENT DOCUMENTS

1,046,343	A	*	12/1912	Smith	473/252
D240,751	S	*	7/1976	Taylor	D21/734
D257,870	S	*	1/1981	MacDougall	D21/739
D257,872	S	*	1/1981	MacDougall	D21/744
D298,767	S	*	11/1988	Szczepanski	D21/744
D347,253	S	*	5/1994	Cook	D21/744
D364,205	S	*	11/1995	Duclos	D21/745
5,489,097	A	*	2/1996	Simmons	473/326
5,533,728	A	*	7/1996	Pehoski et al.	473/252

D393,674	S	*	4/1998	Rhee	D21/745
D399,899	S	*	10/1998	Sizemore, Jr.	D21/742
D400,610	S	*	11/1998	Cameron et al.	D21/742
D405,137	S	*	2/1999	Nelson	D21/738
D424,642	S	*	5/2000	Reed et al.	D21/744
D425,157	S	*	5/2000	Reed et al.	D21/744
D426,601	S	*	6/2000	Reed et al.	D21/744
D434,820	S	*	12/2000	Reed et al.	D21/744
D464,696	S	*	10/2002	Long	D21/759
D493,857	S	*	8/2004	Cameron	D21/738
D591,806	S	*	5/2009	Cameron	D21/743
D701,928	S	*	4/2014	Cameron	D21/736

* cited by examiner

Primary Examiner — Mitchell Siegel

(74) *Attorney, Agent, or Firm* — Randy K. Chang

(57) **CLAIM**

The ornamental design for a putter head, as shown and described.

DESCRIPTION

FIG. 1 is a perspective top view of my new design for a putter head;

FIG. 2 is a back side view thereof;

FIG. 3 is a top view thereof;

FIG. 4 is a front side view thereof;

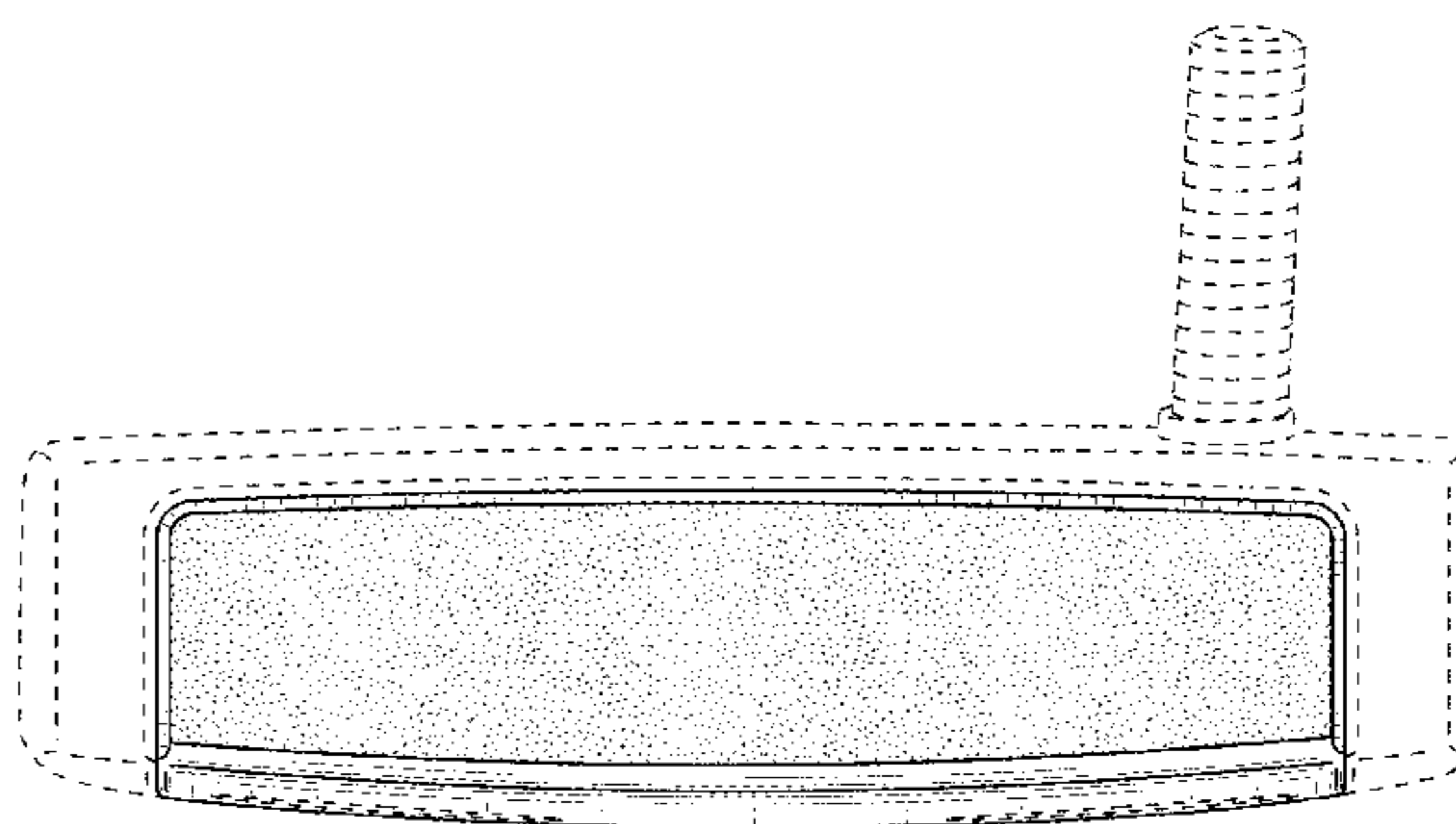
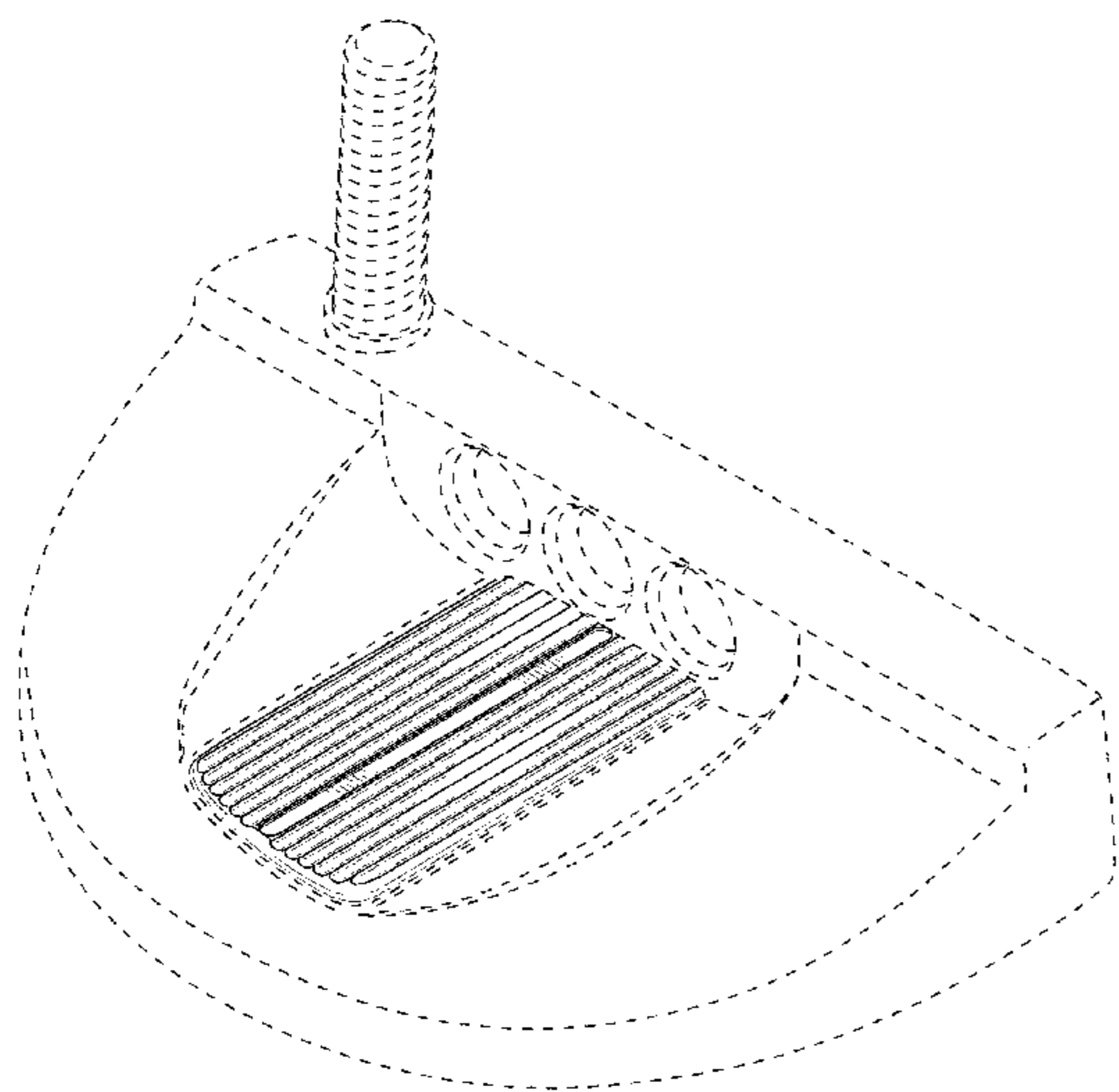
FIG. 5 is a heel view thereof;

FIG. 6 is a toe view thereof; and,

FIG. 7 is a bottom view thereof.

The portion of the club head shown in phantom are for illustrative purposes only and do not form any portion of the claimed design.

1 Claim, 4 Drawing Sheets



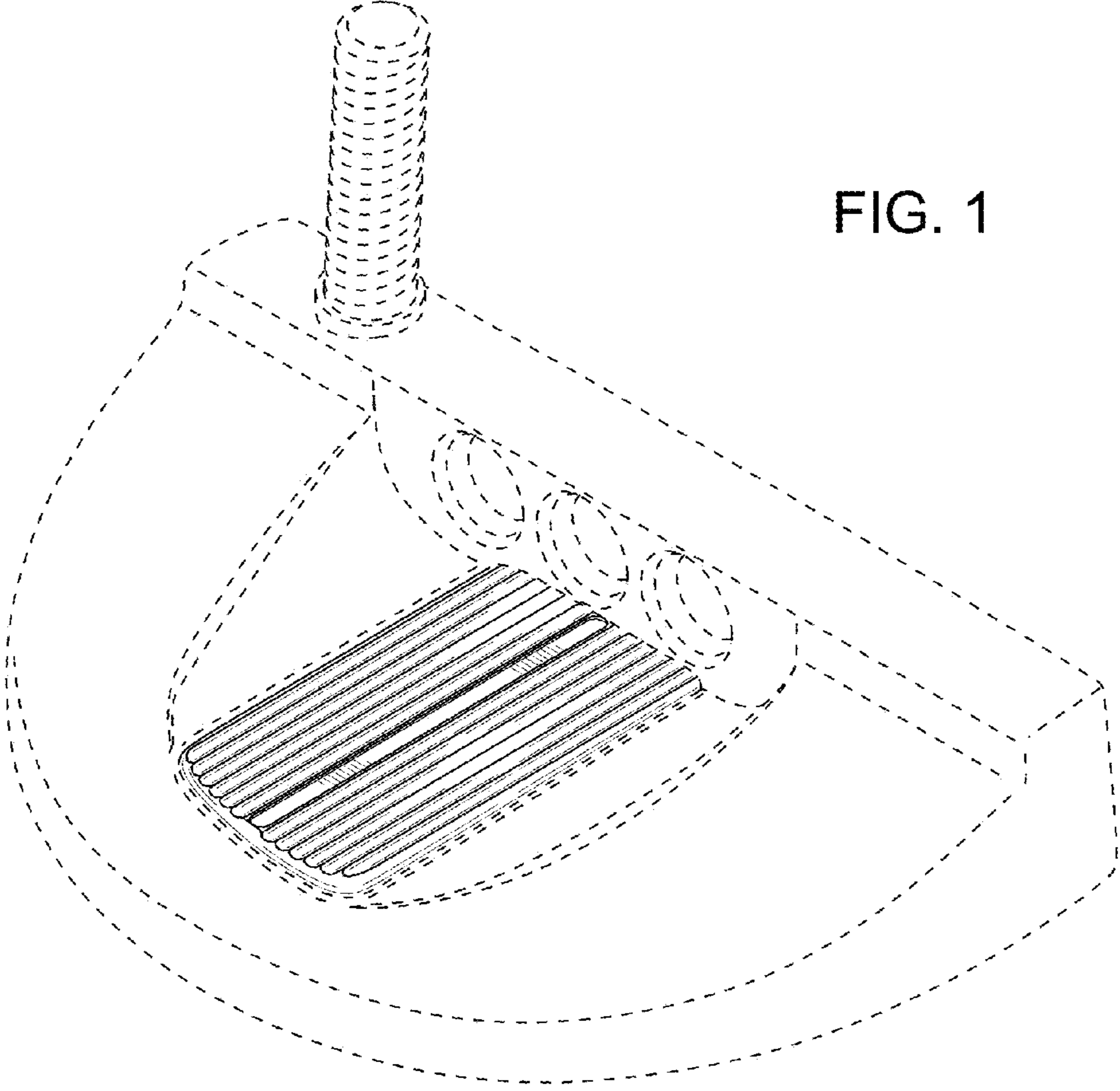


FIG. 1

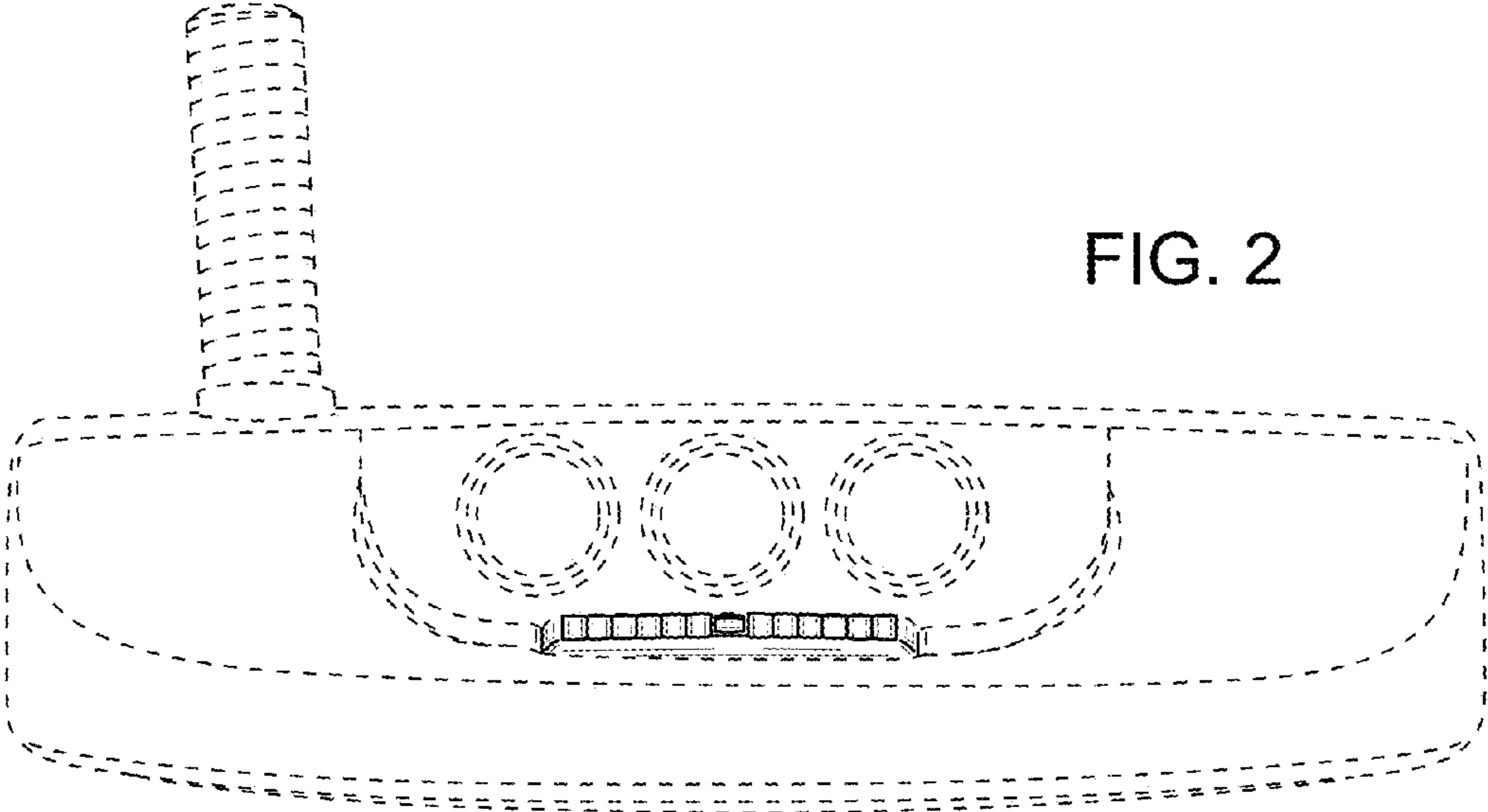


FIG. 2

FIG. 3

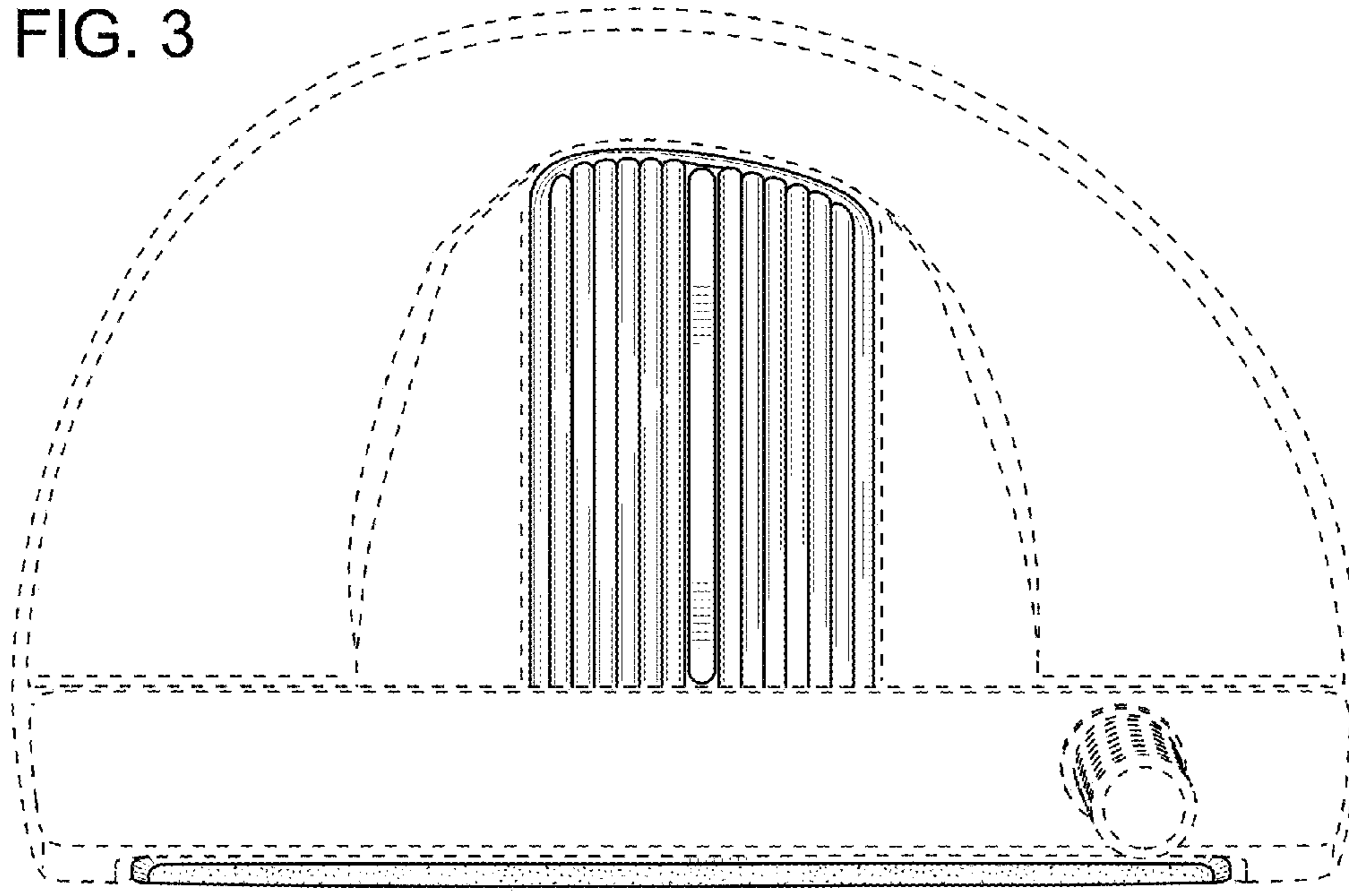
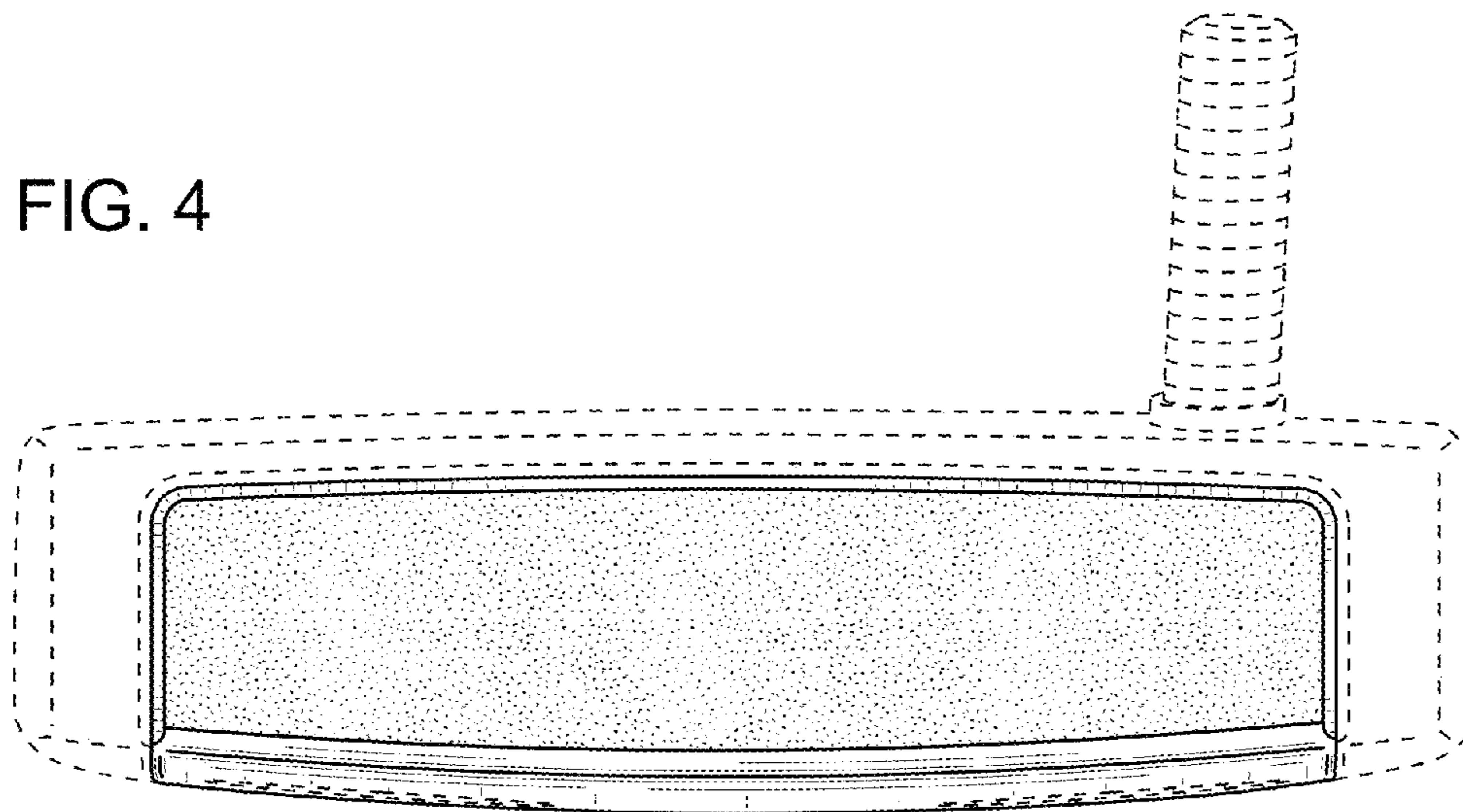


FIG. 4



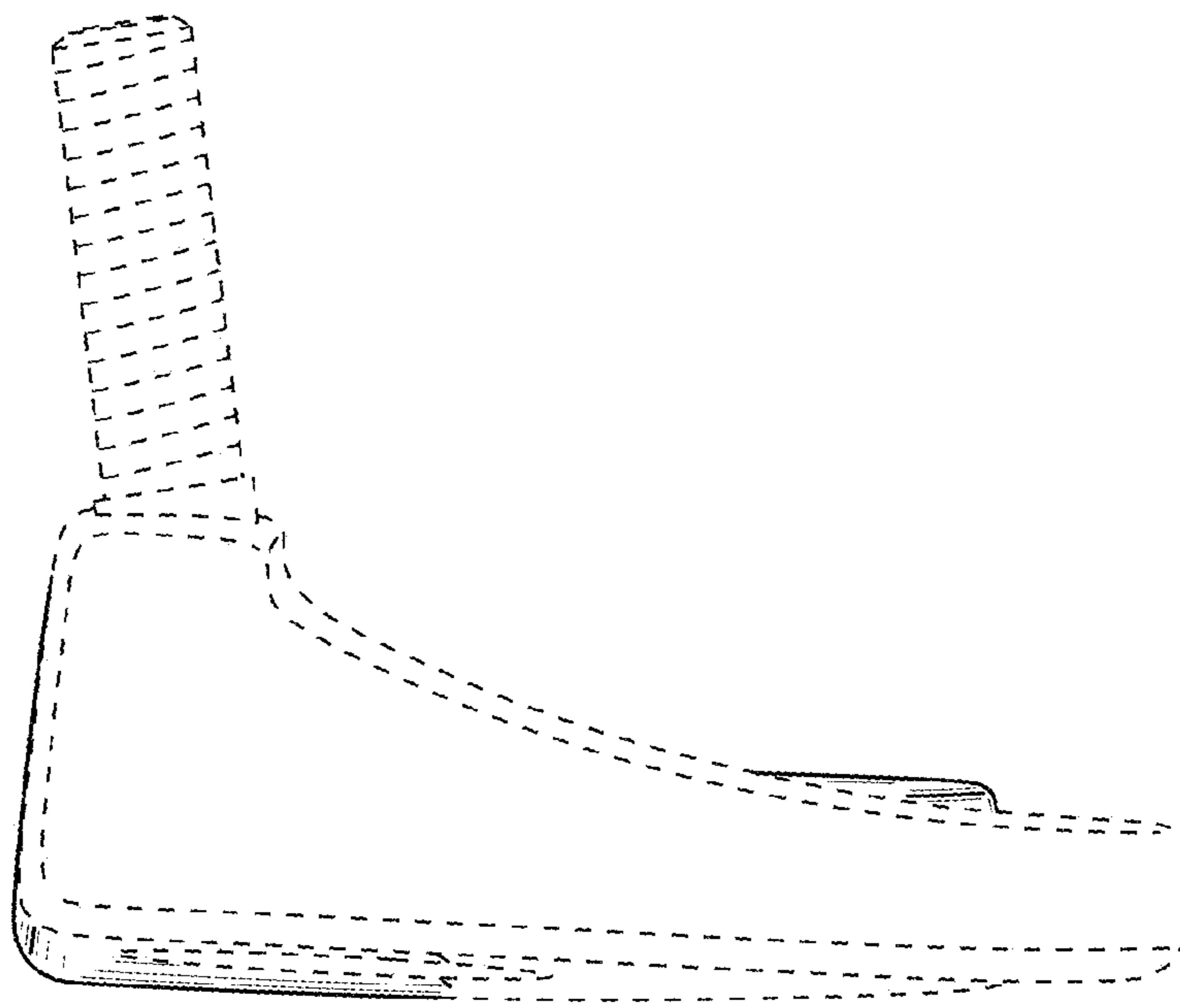


FIG. 5

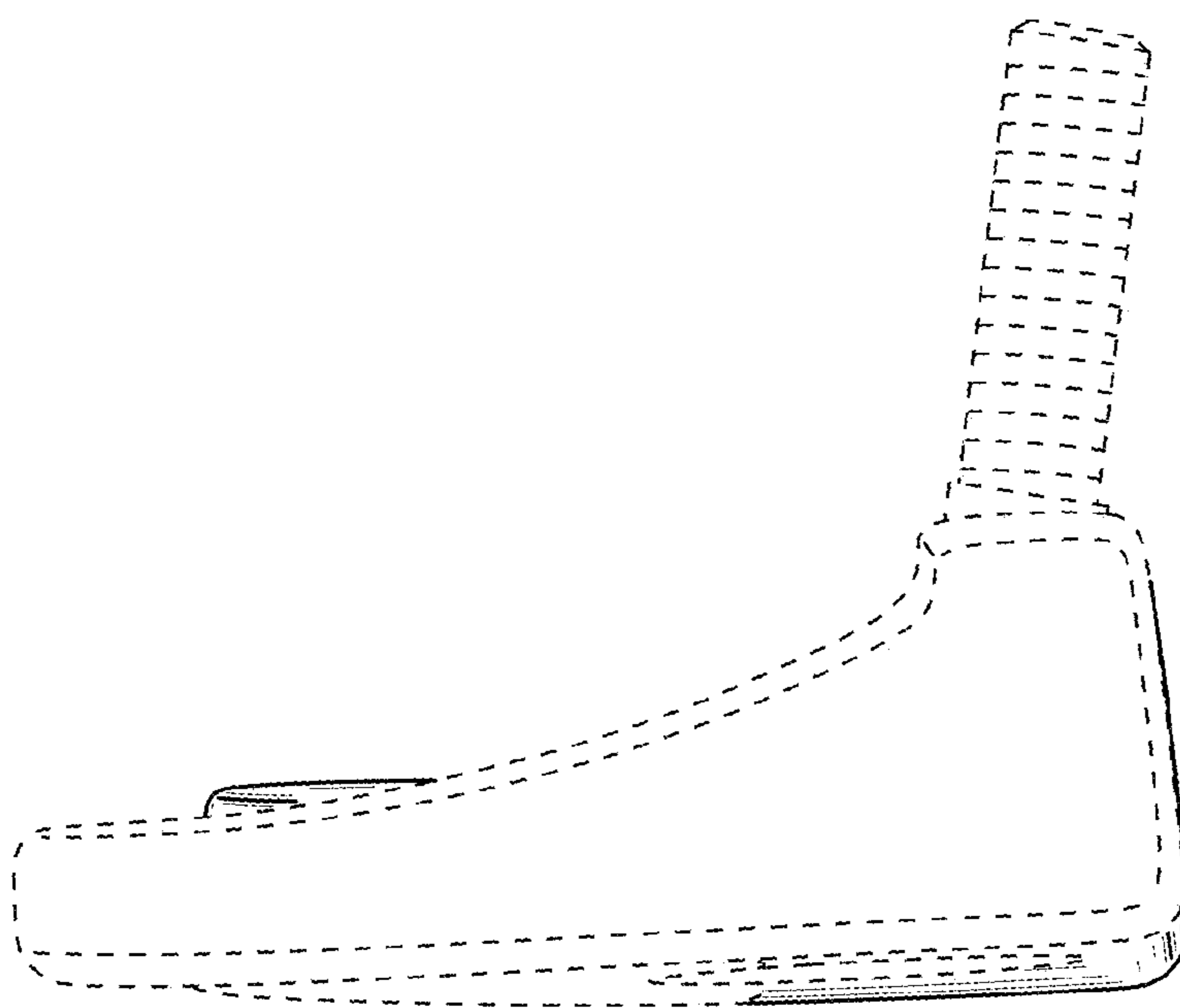


FIG. 6

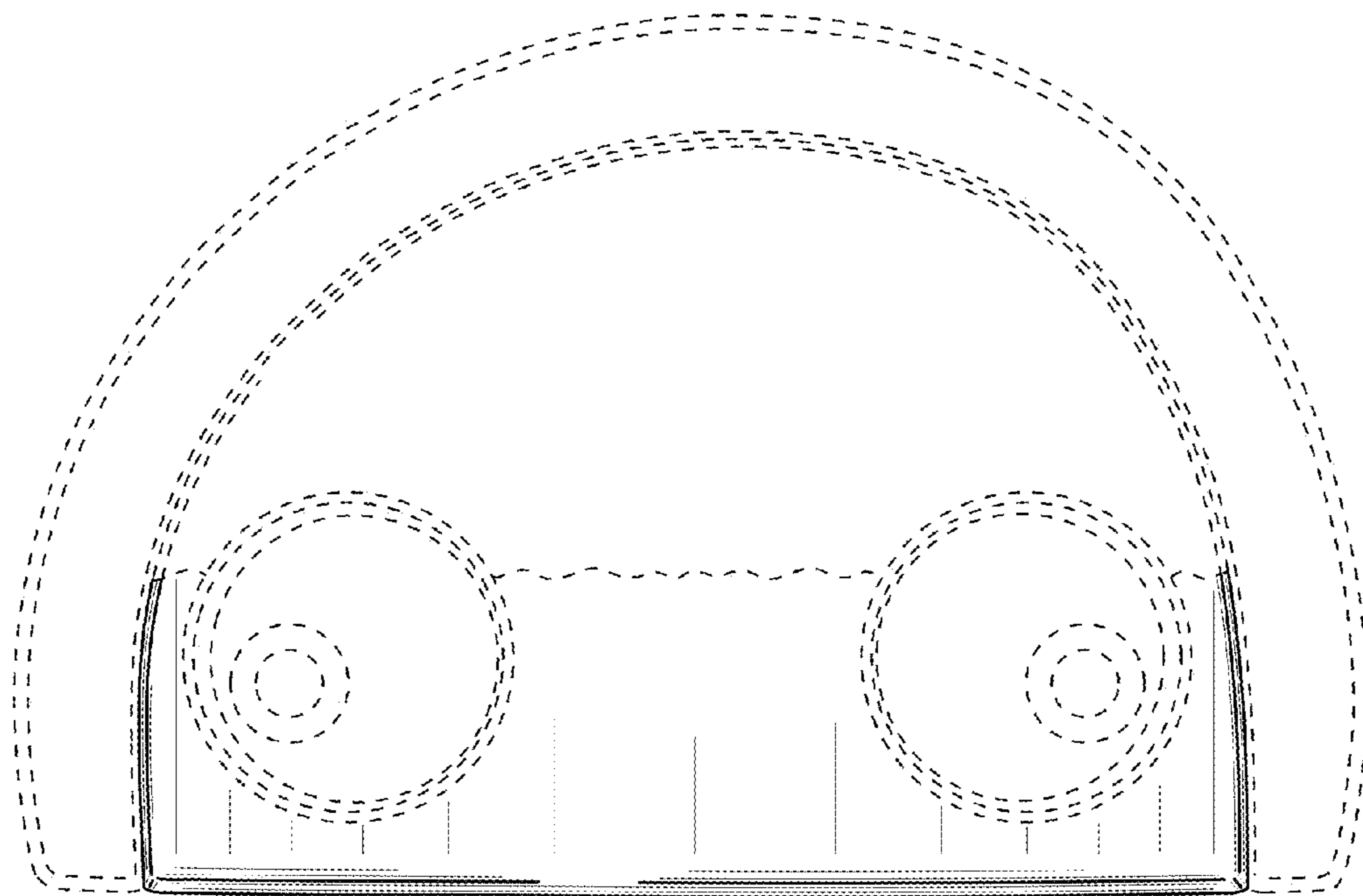


FIG. 7