



US00D742978S

(12) **United States Design Patent**
Summers

(10) **Patent No.:** **US D742,978 S**

(45) **Date of Patent:** **** Nov. 10, 2015**

(54) **EXERCISE APPARATUS**

(71) Applicant: **ENANEF Limited**, Dorking, Surrey (GB)

(72) Inventor: **Neil Summers**, Dorking (GB)

(73) Assignee: **ENANEF Limited**, Dorking (GB)

(**) Term: **14 Years**

(21) Appl. No.: **29/479,650**

(22) Filed: **Jan. 17, 2014**

(30) **Foreign Application Priority Data**

Jan. 8, 2014 (EM) 002381624

(51) **LOC (10) Cl.** **21-02**

(52) **U.S. Cl.**
USPC **D21/686**

(58) **Field of Classification Search**
USPC D21/676, 687, 690; 482/51, 70-72, 96,
482/97, 112, 121, 130-132, 135, 138, 140,
482/142, 147

CPC A63B 21/1492; A63B 2208/0233;
A63B 21/068; A63B 23/0211; A63B 23/0233;
A63B 21/0615; A63B 21/062; A63B 21/159
See application file for complete search history.

(56) **References Cited**

U.S. PATENT DOCUMENTS

D370,506 S * 6/1996 Clem D21/687
5,573,482 A * 11/1996 Wang et al. 482/96
D379,483 S * 5/1997 England et al. D21/676
5,626,542 A * 5/1997 Dalebout et al. 482/96
D424,142 S * 5/2000 McBride et al. D21/690

7,134,989 B2 * 11/2006 Liao 482/142
D541,358 S * 4/2007 Webber D21/690
D647,151 S * 10/2011 Van Straaten D21/676
D664,615 S * 7/2012 Chuang D21/690
2002/0065174 A1 * 5/2002 Chen 482/72
2003/0130100 A1 * 7/2003 Perez 482/140
2006/0217240 A1 * 9/2006 White et al. 482/72
2006/0217249 A1 * 9/2006 Webber 482/142
2006/0281610 A1 * 12/2006 Perez, Jr. 482/130
2013/0337984 A1 * 12/2013 Lung 482/140
2014/0121080 A1 * 5/2014 Verheem 482/140

* cited by examiner

Primary Examiner — George D Kirschbaum

Assistant Examiner — Jennifer Watkins

(74) *Attorney, Agent, or Firm* — Kilpatrick Townsend & Stockton LLP

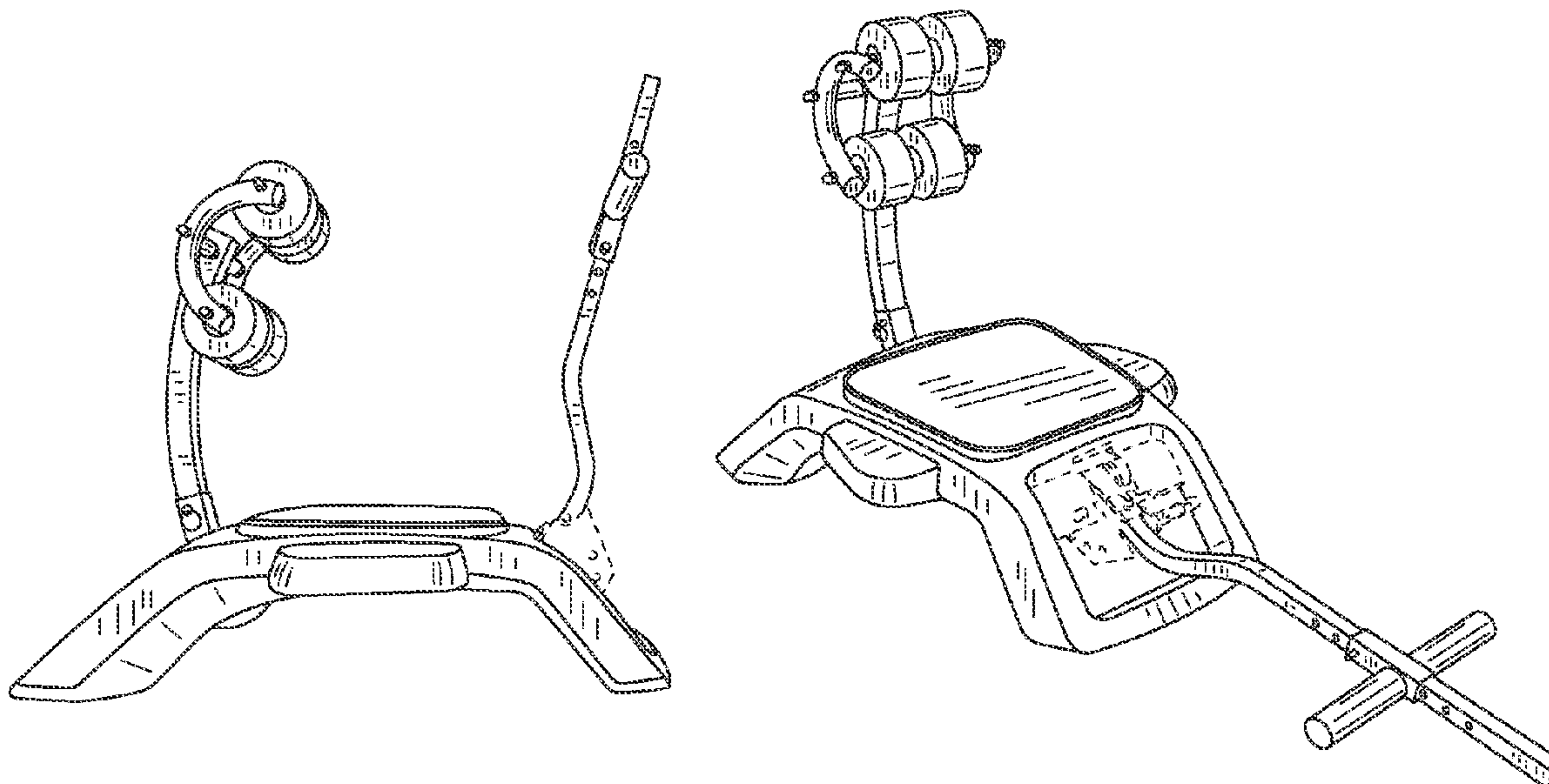
(57) **CLAIM**

The ornamental design for exercise apparatus, as shown and described.

DESCRIPTION

FIG. 1 is a view of the exercise apparatus from one side with leg rest pivoted to one position;
FIG. 2 is a view from one side with leg rest pivoted to another position;
FIG. 3 is a view from other side with leg rest pivoted to further position;
FIG. 4 is a perspective view from front, above and one side;
FIG. 5 is a view from front;
FIG. 6 is a view from rear; and,
FIG. 7 is a view from above.
The broken lines in the drawings are for the purpose of illustrating portions of the exercise apparatus that form no part of the claim.

1 Claim, 4 Drawing Sheets



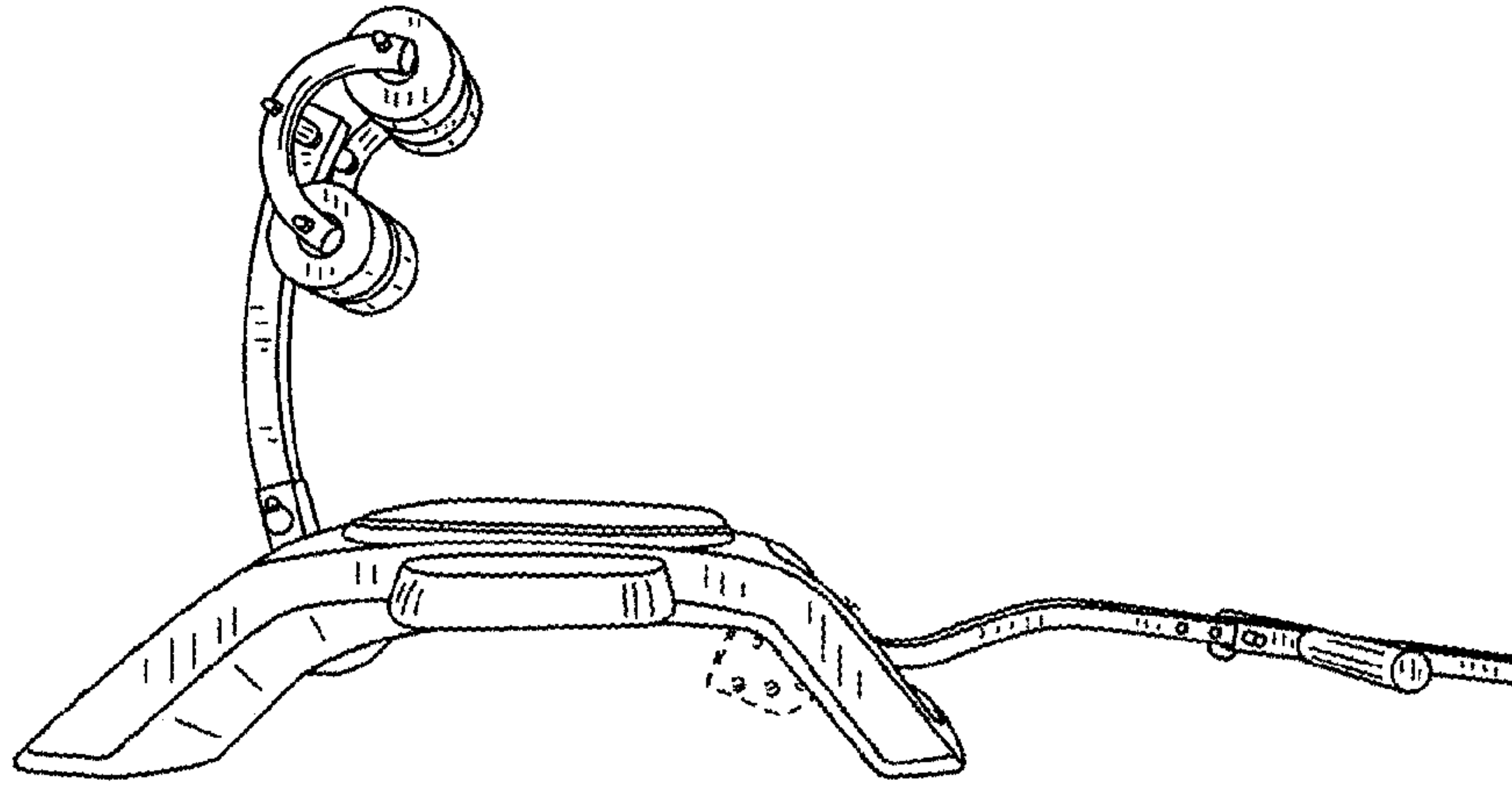


FIG. 1

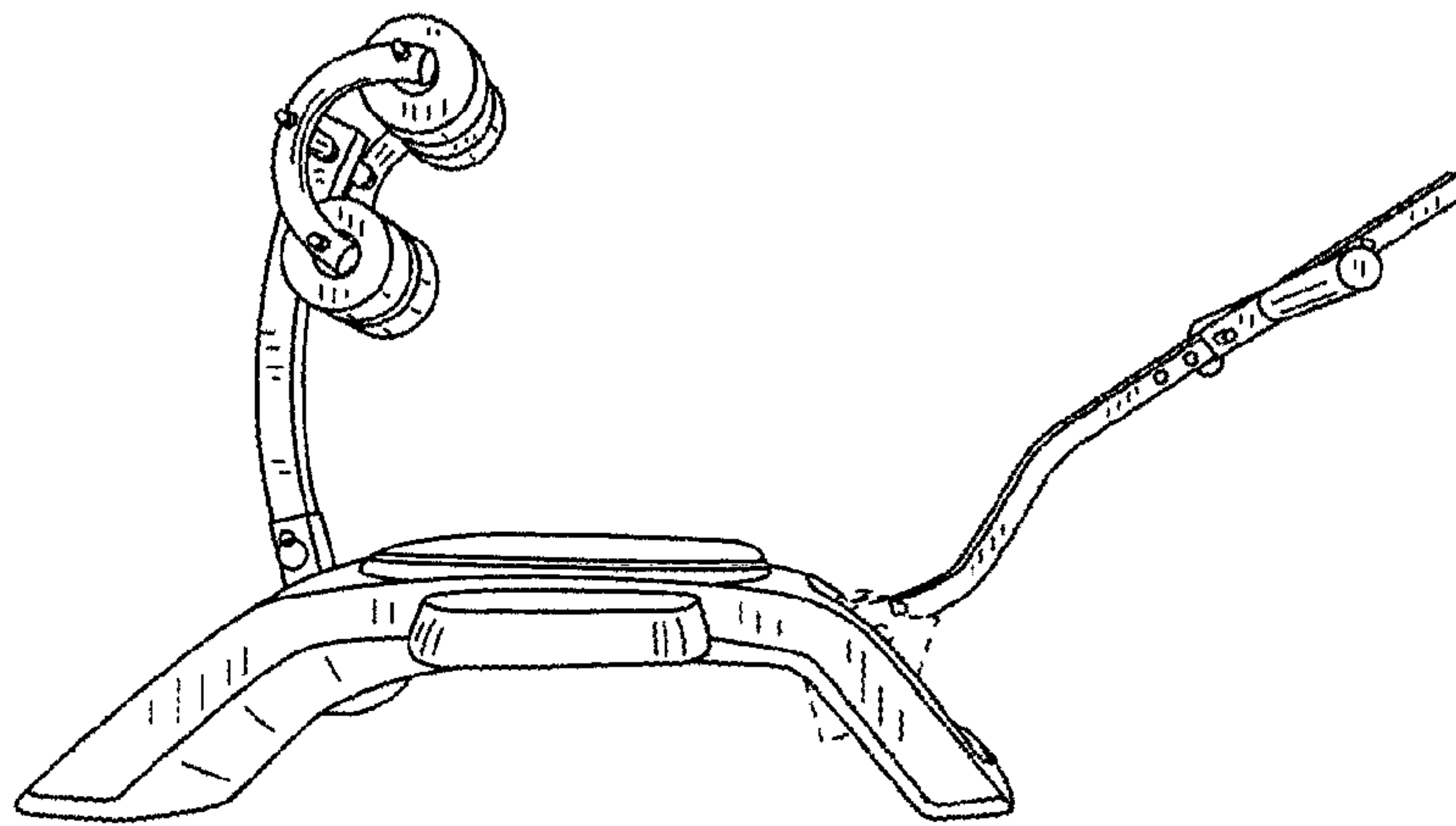


FIG. 2

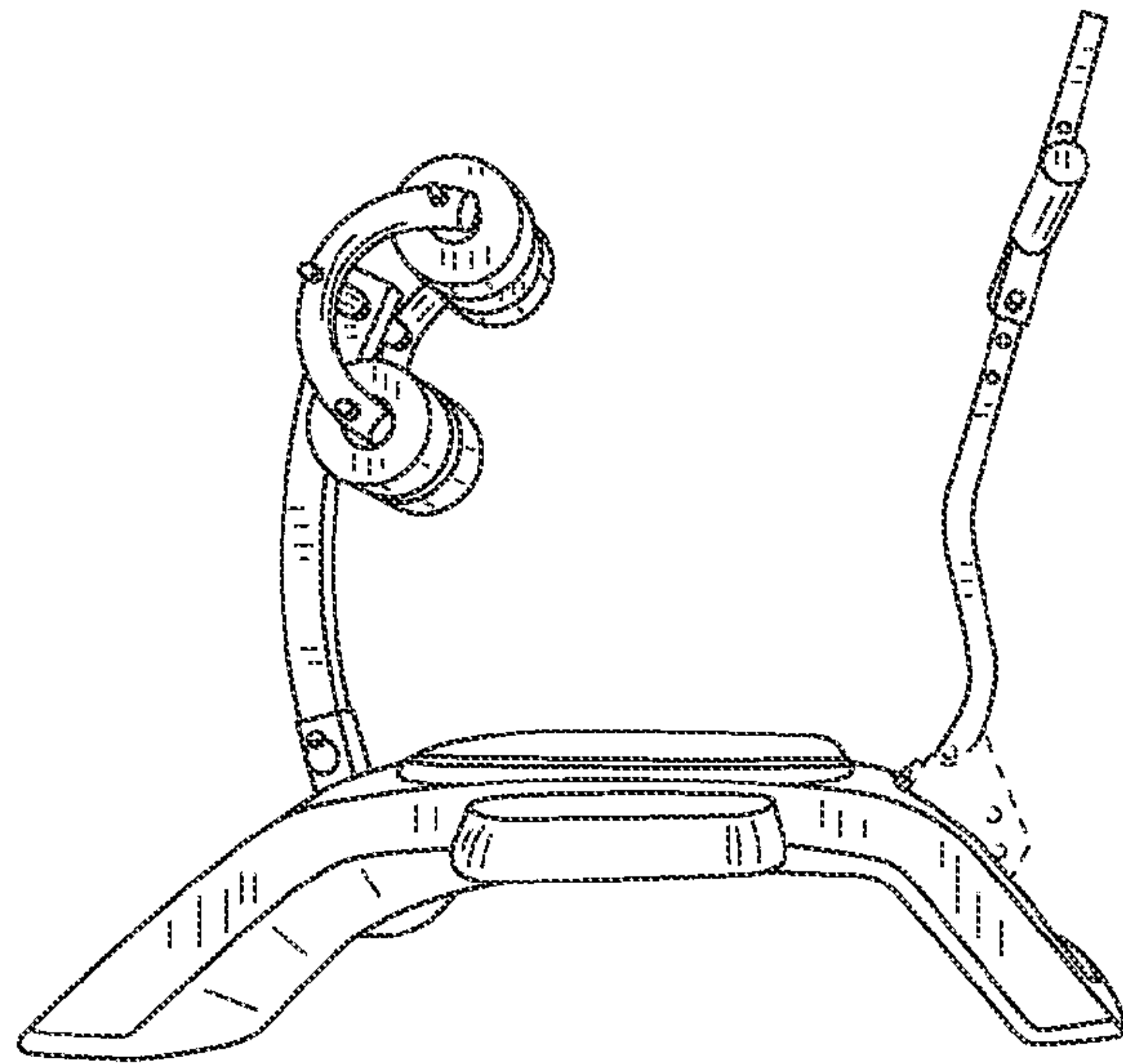


FIG. 3

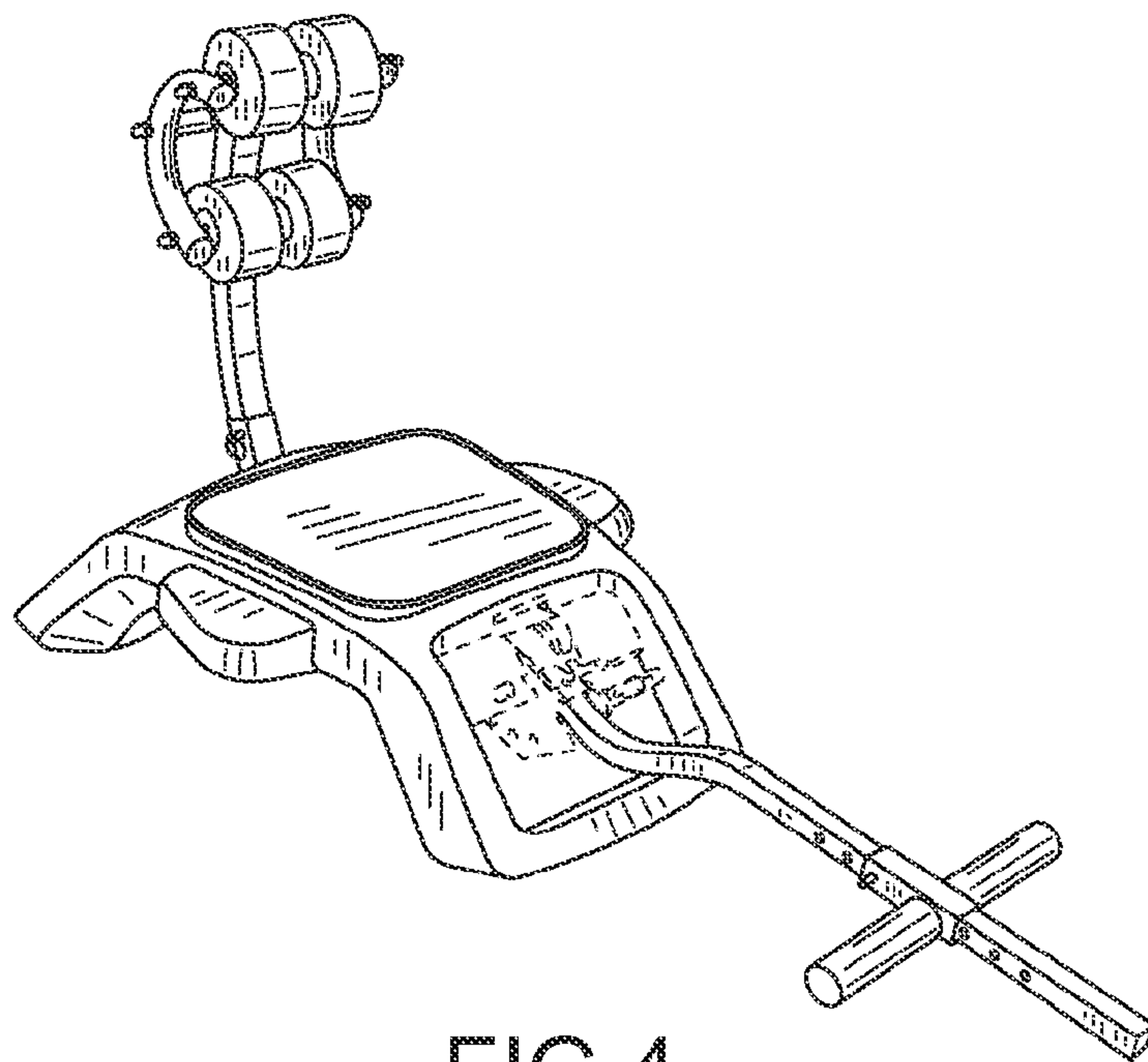


FIG. 4

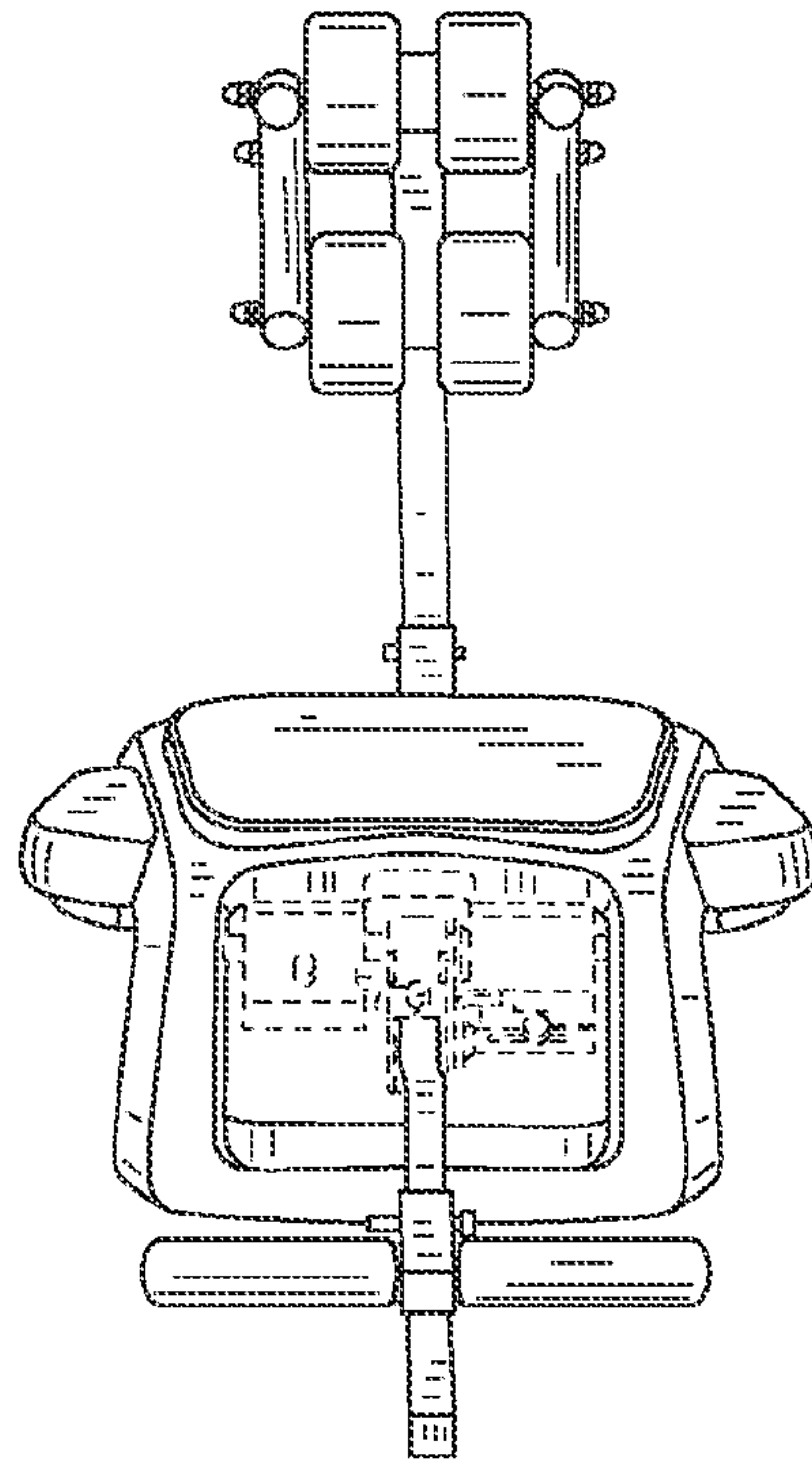


FIG. 5

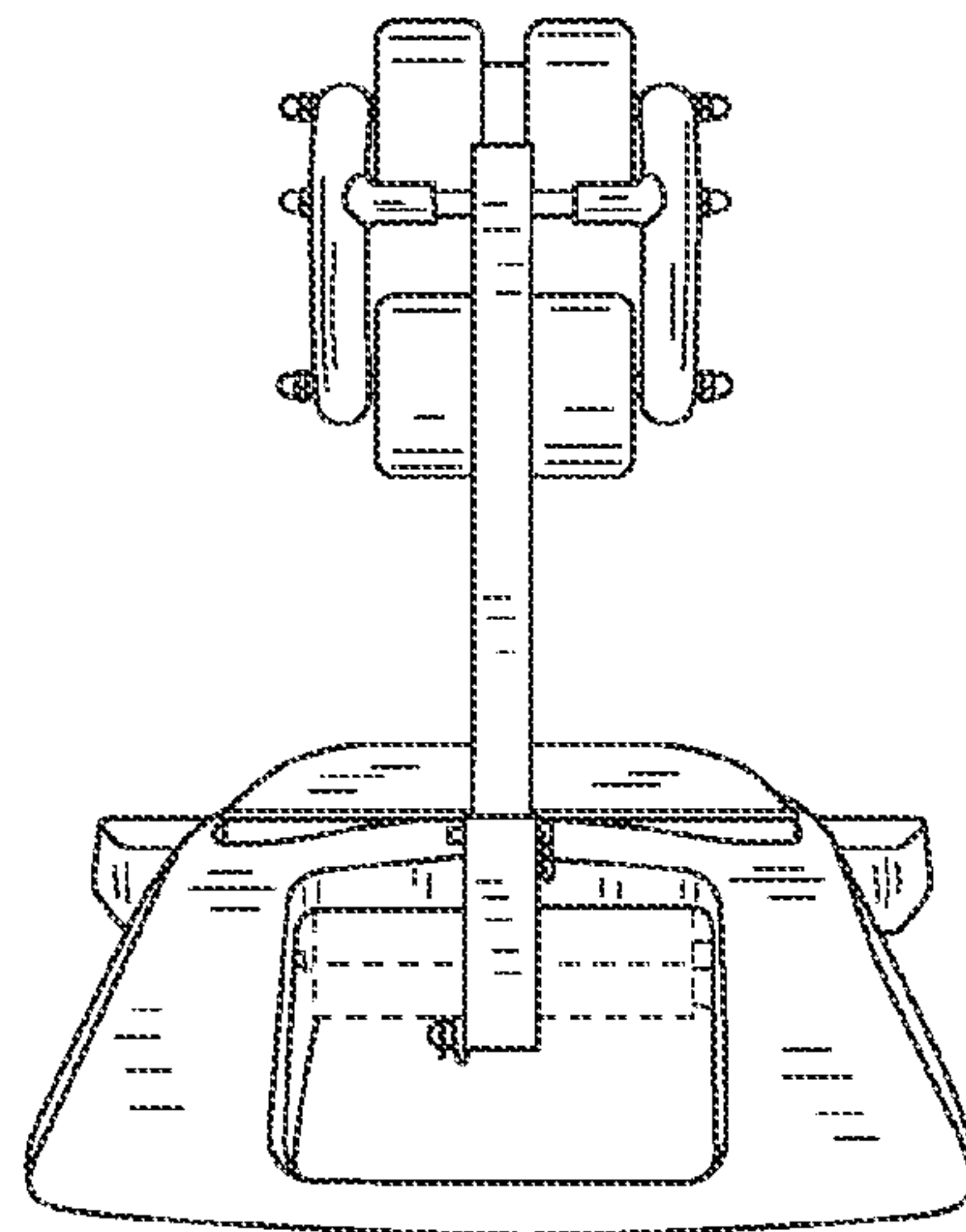


FIG. 6

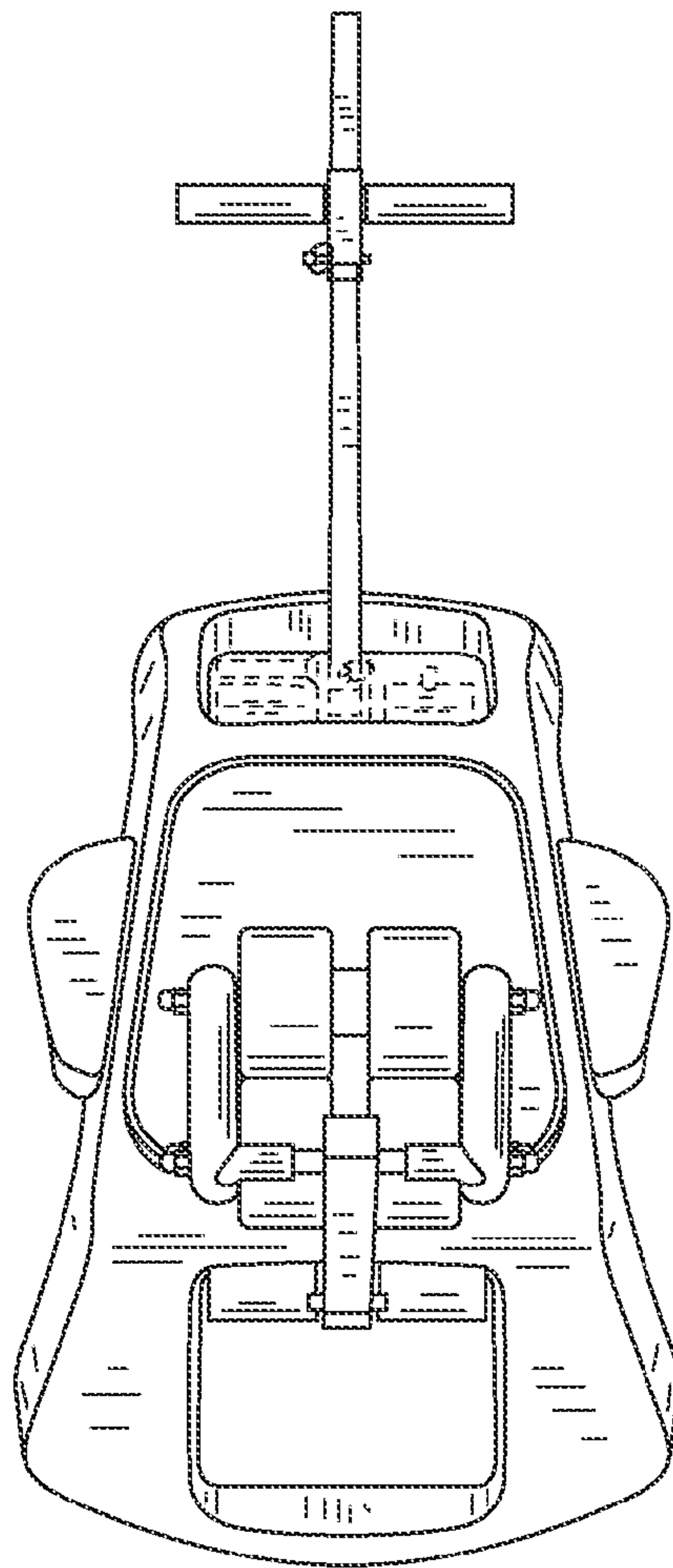


FIG.7