



US00D742977S

(12) **United States Design Patent**  
**Porth et al.**

(10) **Patent No.:** **US D742,977 S**

(45) **Date of Patent:** **\*\* Nov. 10, 2015**

(54) **STATIONARY EXERCISE MACHINE**

(71) Applicant: **Octane Fitness, LLC**, Brooklyn Park, MN (US)

(72) Inventors: **Timothy J. Porth**, Edina, MN (US);  
**Thomas C. Coy**, Saint Michael, MN (US); **Nathan R. Luger**, Roseville, MN (US)

(73) Assignee: **Octane Fitness, LLC**, Brooklyn Park, MN (US)

(\*\*) Term: **14 Years**

(21) Appl. No.: **29/465,593**

(22) Filed: **Aug. 29, 2013**

(51) **LOC (10) Cl.** ..... **21-02**

(52) **U.S. Cl.**  
USPC ..... **D21/668**

(58) **Field of Classification Search**  
USPC ..... D21/662-671, 694, 697; 482/52, 54, 482/56, 57, 59-61, 63-66, 70, 71, 74-76, 482/80, 140-145

CPC ..... A63B 22/001; A63B 22/0664; A63B 21/225; A63B 2022/067; A63B 22/0015; A63B 22/0056; A63B 2022/0676; A63B 22/0023; A63B 22/203; A63B 2208/0204; A63B 2022/0017; A63B 2022/0682; A63B 21/015; A63B 2022/0051; A63B 2022/00  
See application file for complete search history.

(56) **References Cited**

**U.S. PATENT DOCUMENTS**

219,439 A	9/1879	Blend
3,316,898 A	5/1967	Brown
3,316,899 A	5/1967	Raeder
3,970,302 A	7/1976	McFee
3,995,491 A	12/1976	Wolfla, II
4,023,795 A	5/1977	Pauls

4,053,173 A	10/1977	Chase, Sr.
4,185,622 A	1/1980	Swenson
4,188,030 A	2/1980	Hooper
4,379,566 A	4/1983	Titcomb
4,456,276 A	6/1984	Bortolin
4,456,279 A	6/1984	Dirck
4,470,597 A	9/1984	McFee
4,496,147 A	1/1985	DeCloux et al.
4,509,742 A	4/1985	Cones
4,555,109 A	11/1985	Hartmann
4,561,318 A	12/1985	Schirrmacher
4,679,786 A	7/1987	Rodgers
4,685,666 A	8/1987	DeCloux
4,708,338 A	11/1987	Potts
4,709,918 A	12/1987	Grinblat

(Continued)

**FOREIGN PATENT DOCUMENTS**

DE	2919494 A1	11/1980
TW	M378001	4/2010

*Primary Examiner* — Jeffrey D Asch

*Assistant Examiner* — Jennifer Watkins

(74) *Attorney, Agent, or Firm* — Sherill Law Offices, PLLC

(57) **CLAIM**

The ornamental design for a stationary exercise machine, as shown and described.

**DESCRIPTION**

FIG. 1 is a front isometric view of a stationary exercise machine depicting the ornamental design.

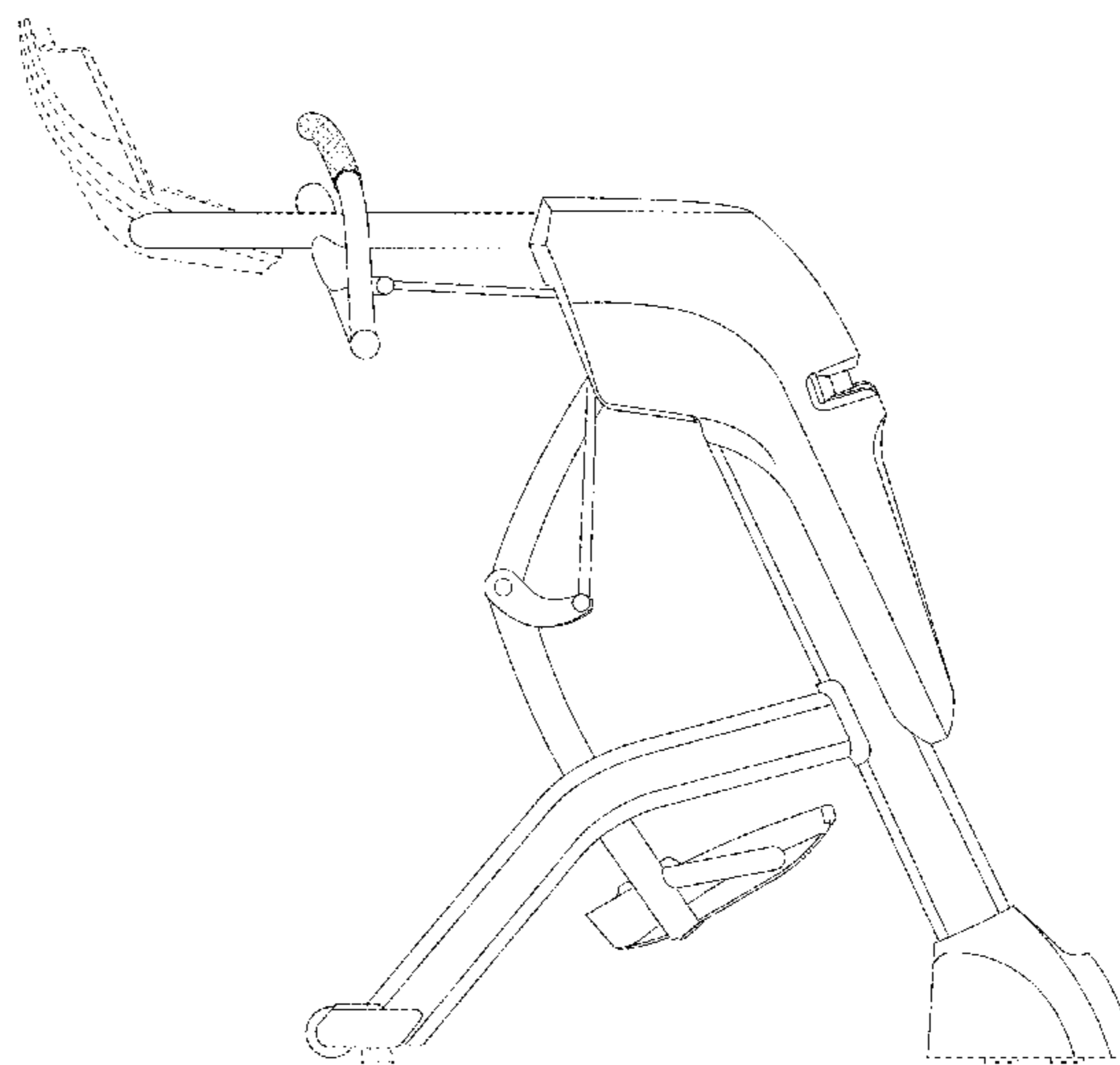
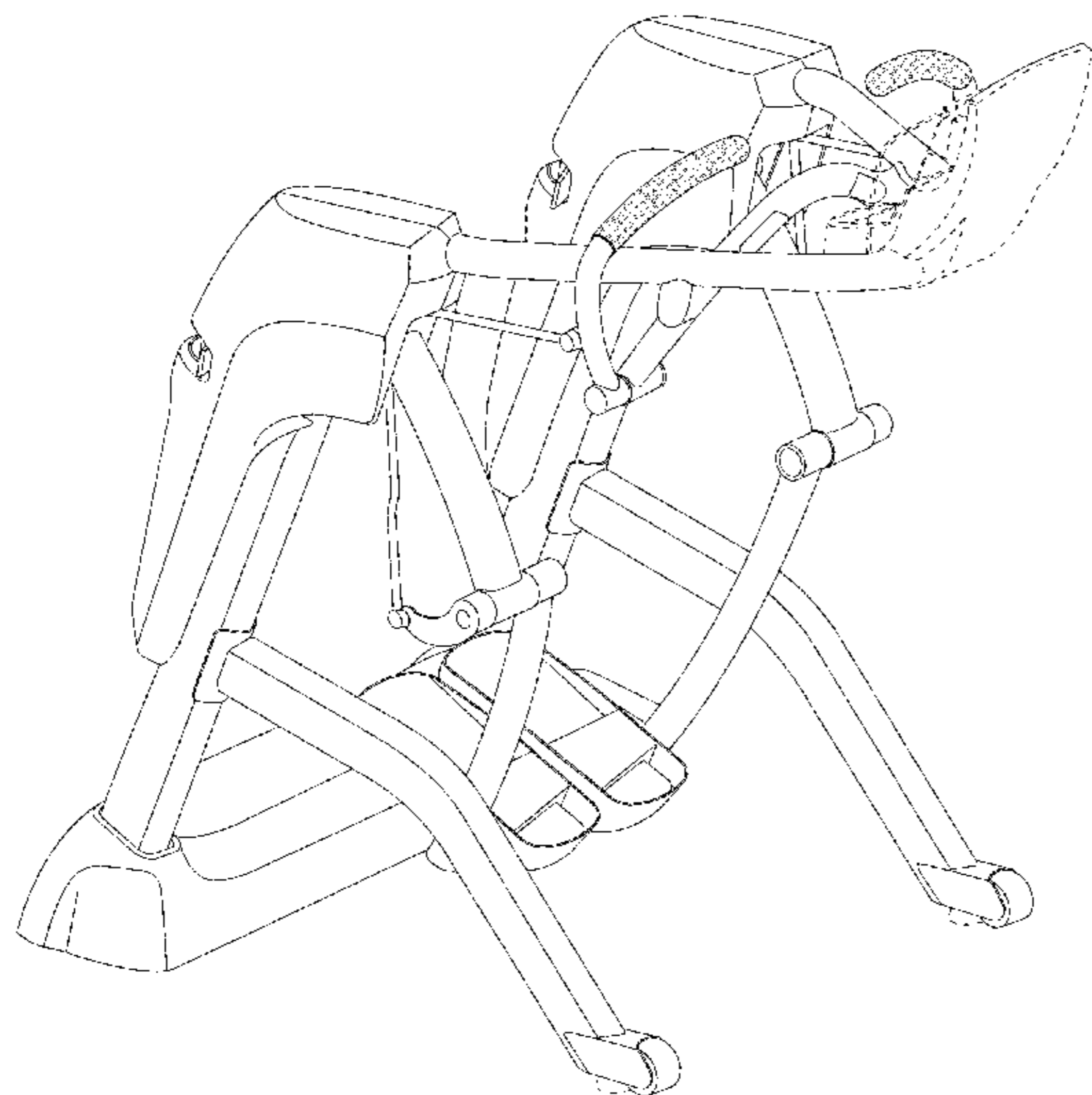
FIG. 2 is a right side view of the stationary exercise machine of FIG. 1.

FIG. 3 is a left side view of the stationary exercise machine of FIG. 1; and,

FIG. 4 is a rear view of the stationary exercise machine of FIG. 1.

The broken lines in the drawings are for the purpose of illustrating portions of the stationary exercise machine that form no part of the claim.

**1 Claim, 4 Drawing Sheets**



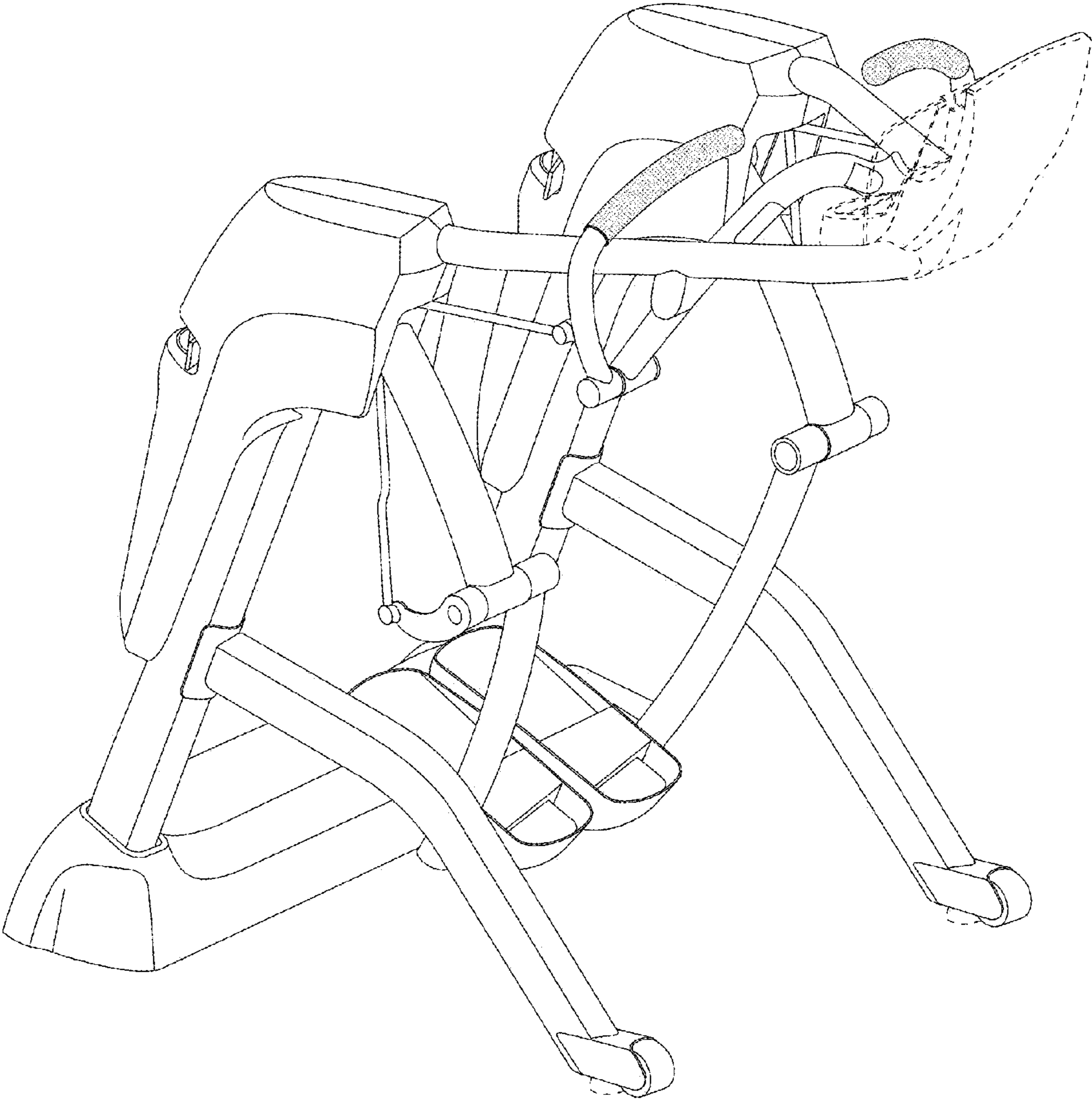
(56)

References Cited

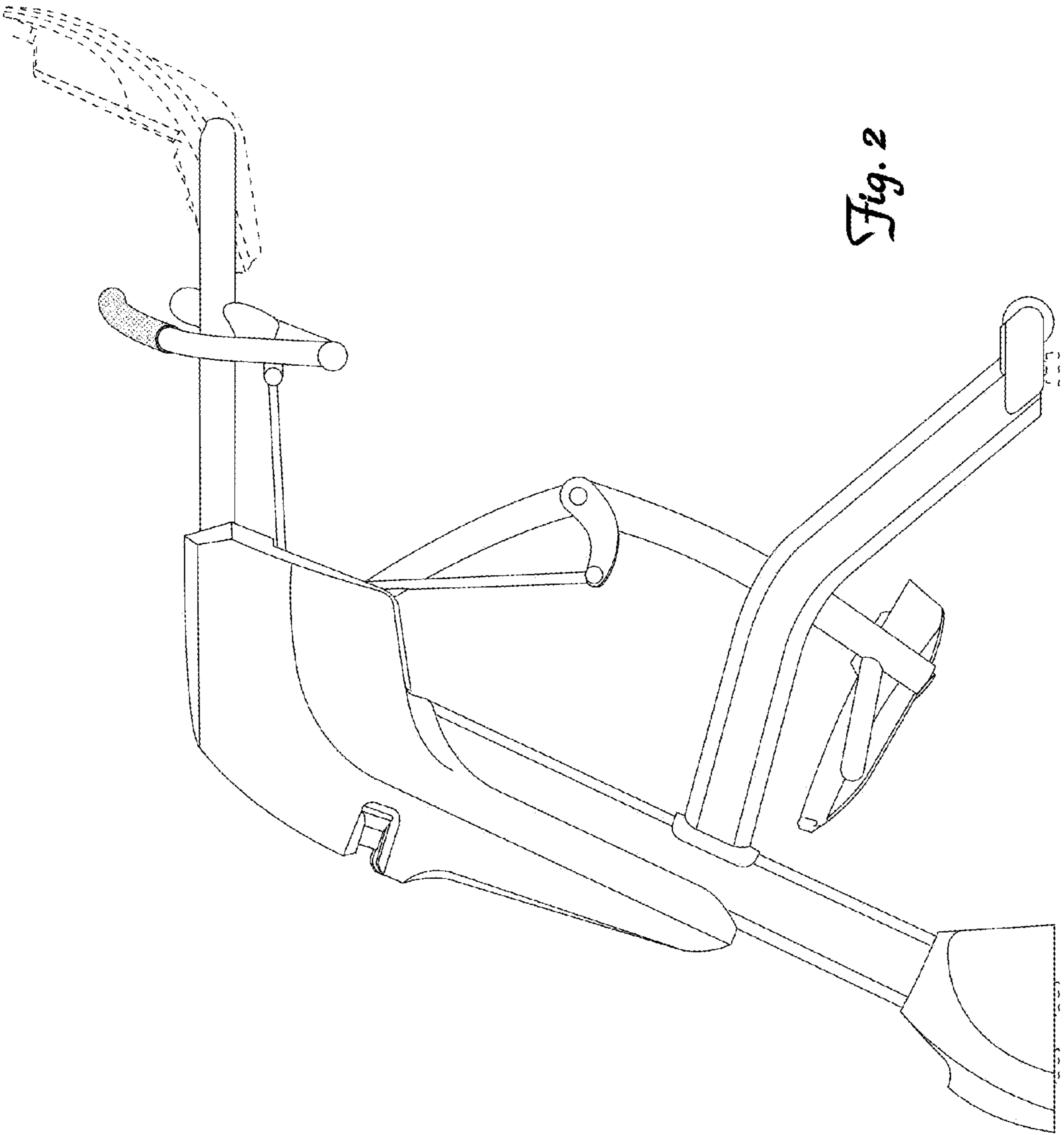
U.S. PATENT DOCUMENTS

4,720,093 A	1/1988	Del Mar	5,595,553 A	1/1997	Rodgers, Jr.	
4,733,858 A	3/1988	Lan	5,611,756 A	3/1997	Miller	
4,779,863 A	10/1988	Yang	5,637,058 A	6/1997	Rodgers, Jr.	
4,786,050 A	11/1988	Geschwender	5,735,773 A	4/1998	Vittone et al.	
4,850,585 A	7/1989	Dalebout	5,746,681 A	5/1998	Bull	
4,869,494 A	9/1989	Lambert, Sr.	5,769,760 A	6/1998	Lin et al.	
4,900,013 A	2/1990	Rodgers, Jr.	5,788,610 A	8/1998	Eschenbach	
4,940,233 A	7/1990	Bull et al.	5,792,026 A	8/1998	Maresh et al.	
4,949,954 A	8/1990	Hix	5,792,027 A	8/1998	Gvoich	
4,949,993 A	8/1990	Stark et al.	5,792,028 A	8/1998	Jarvie	
4,951,942 A	8/1990	Walden	5,792,029 A	8/1998	Gordon	
4,989,857 A	2/1991	Kuo	5,813,949 A	9/1998	Rodgers, Jr.	
5,000,442 A	3/1991	Dalebout et al.	5,857,940 A	1/1999	Husted	
5,000,443 A	3/1991	Dalebout et al.	5,910,072 A	6/1999	Rawls et al.	
5,038,758 A	8/1991	Iams et al.	5,967,944 A	10/1999	Vittone et al.	
5,039,087 A	8/1991	Kuo	6,036,622 A	3/2000	Gordon	
5,039,088 A	8/1991	Shifferaw	6,045,487 A	4/2000	Miller	
5,040,786 A	8/1991	Jou	6,183,397 B1	2/2001	Stearns et al.	
5,048,821 A	9/1991	Kuo-Liang	6,368,252 B1	4/2002	Stearns	
5,062,627 A	11/1991	Bingham	D476,046 S	6/2003	Wang et al.	
5,072,928 A	12/1991	Stearns et al.	D478,365 S *	8/2003	Giannelli et al. ....	D21/668
5,129,872 A	7/1992	Dalton et al.	7,226,390 B2	6/2007	Stearns	
5,131,895 A	7/1992	Rogers, Jr.	7,285,075 B2	10/2007	Cutler et al.	
5,135,447 A	8/1992	Robards, Jr. et al.	D555,743 S	11/2007	Wang	
5,149,312 A	9/1992	Croft et al.	D565,129 S *	3/2008	Chang et al. ....	D21/668
5,186,697 A	2/1993	Rennex	D565,130 S *	3/2008	Olson ....	D21/670
5,195,935 A	3/1993	Fencel	7,608,018 B2	10/2009	Chuang et al.	
5,242,343 A	9/1993	Miller	D606,599 S *	12/2009	Murray et al. ....	D21/668
5,279,529 A	1/1994	Eschenbach	7,645,215 B2	1/2010	Gordon	
5,279,530 A	1/1994	Hess	7,833,134 B2	11/2010	Gordon	
5,290,211 A	3/1994	Stearns	7,862,482 B1	1/2011	Hsu	
5,295,928 A	3/1994	Rennex	D640,337 S	6/2011	Liu	
5,299,993 A	4/1994	Habing	8,062,185 B2 *	11/2011	Giannelli et al. ....	482/51
5,336,141 A	8/1994	Vittone	8,082,029 B2	12/2011	Honda	
5,352,169 A	10/1994	Eschenbach	8,092,348 B2 *	1/2012	Anderson et al. ....	482/52
5,383,829 A	1/1995	Miller	8,109,861 B2	2/2012	Gordon et al.	
5,401,226 A	3/1995	Stearns	8,210,993 B2 *	7/2012	Lee et al. ....	482/52
5,419,747 A	5/1995	Piaget et al.	8,403,815 B2 *	3/2013	Liao et al. ....	482/52
5,423,729 A	6/1995	Eschenbach	8,454,478 B2 *	6/2013	Giannelli et al. ....	482/52
5,496,235 A	3/1996	Stevens	D703,278 S	4/2014	Horita	
5,518,473 A	5/1996	Miller	2002/0049121 A1	4/2002	Anderson et al.	
5,527,246 A	6/1996	Rodgers, Jr.	2004/0043871 A1 *	3/2004	Chang ....	482/52
5,529,554 A	6/1996	Eschenbach	2005/0054488 A1	3/2005	Husted et al.	
5,529,555 A	6/1996	Rodgers, Jr.	2005/0277519 A1 *	12/2005	Moon ....	482/52
5,538,486 A	7/1996	France et al.	2006/0189454 A1	8/2006	Bull	
5,540,637 A	7/1996	Rodgers, Jr.	2007/0037667 A1	2/2007	Gordon	
5,549,526 A	8/1996	Rodgers, Jr.	2008/0020905 A1 *	1/2008	Habing ....	482/52
5,573,480 A	11/1996	Rodgers, Jr.	2008/0132385 A1	6/2008	Alessandri et al.	
5,577,985 A	11/1996	Miller	2009/0203501 A1	8/2009	Rodgers, Jr.	
5,593,371 A	1/1997	Rodgers, Jr.	2010/0160115 A1	6/2010	Morris et al.	
5,593,372 A	1/1997	Rodgers, Jr.	2010/0267524 A1	10/2010	Stewart et al.	
			2011/0028275 A1 *	2/2011	Stewart et al. ....	482/52
			2011/0065552 A1 *	3/2011	Anderson et al. ....	482/52

\* cited by examiner



*Fig. 1*



*Fig. 2*

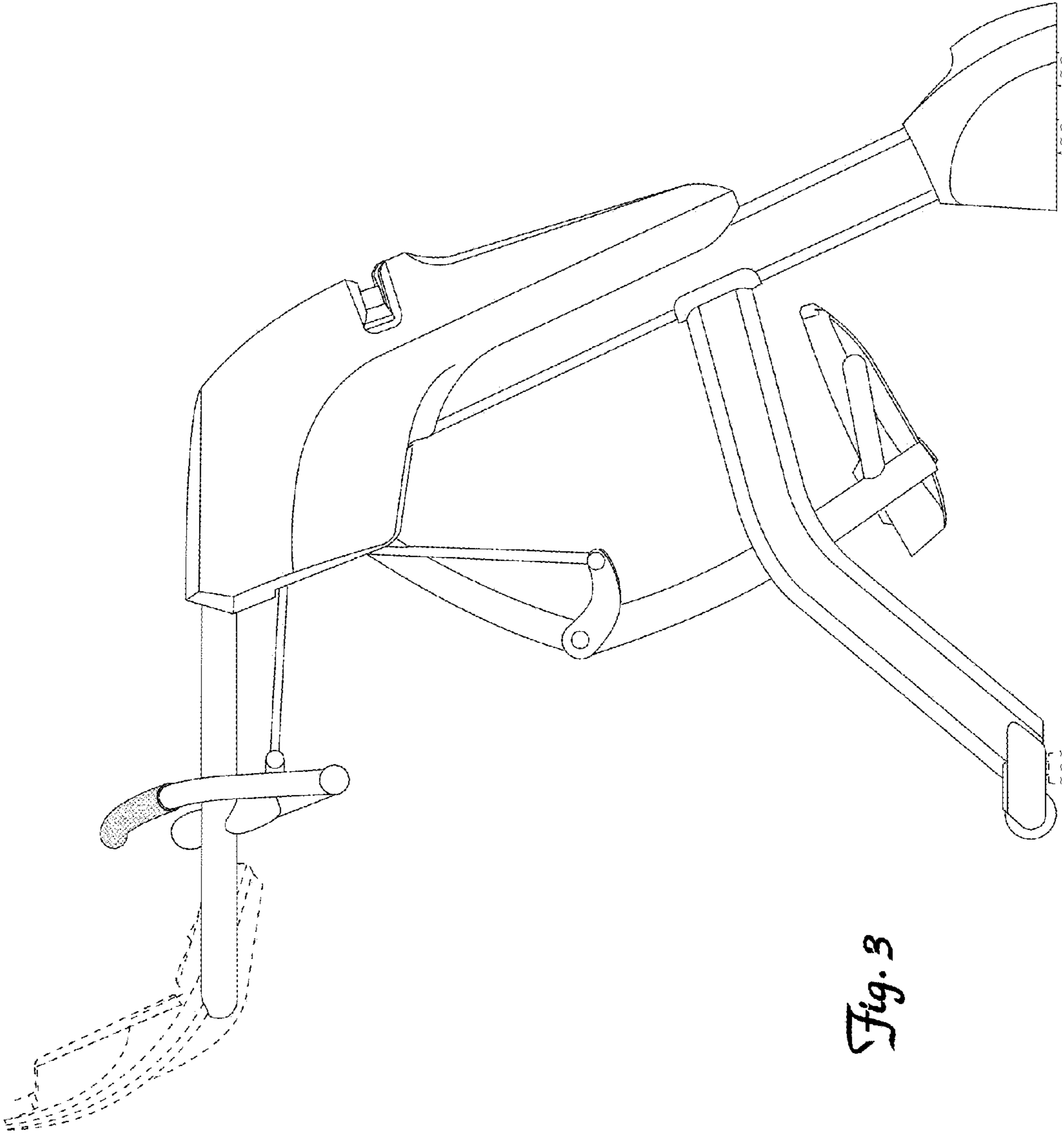
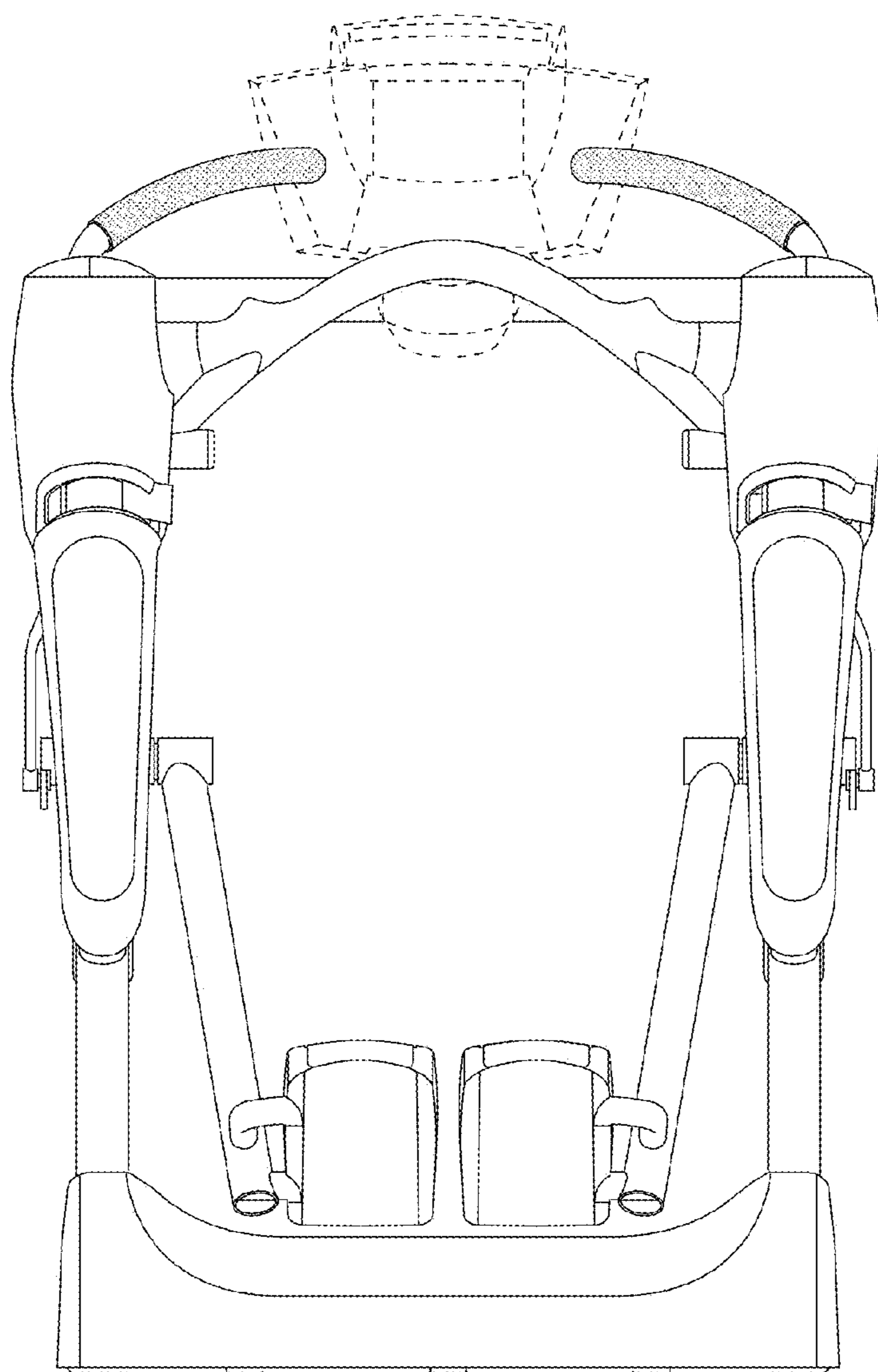


Fig. 3



*Fig. 4*