



US00D742974S

(12) **United States Design Patent**  
**Lesley et al.**

(10) **Patent No.:** **US D742,974 S**  
(45) **Date of Patent:** **\*\* Nov. 10, 2015**

- (54) **GAMING MACHINE**
- (71) Applicant: **WMS Gaming Inc.**, Waukegan, IL (US)
- (72) Inventors: **Paul M. Lesley**, Blue Island, IL (US);  
**Larry J. Pacey**, Chicago, IL (US);  
**Walter E. Smolucha**, Melrose Park, IL (US)
- (73) Assignee: **Bally Gaming, Inc.**, Las Vegas, NV (US)
- (\*\*) Term: **14 Years**
- (21) Appl. No.: **29/493,014**
- (22) Filed: **Jun. 4, 2014**

**Related U.S. Application Data**

- (62) Division of application No. 29/452,500, filed on Apr. 17, 2013, now Pat. No. Des. 712,975.
- (51) **LOC (10) Cl.** ..... **21-03**
- (52) **U.S. Cl.**  
USPC ..... **D21/369**; D21/385
- (58) **Field of Classification Search**  
USPC ..... D14/302, 304–309, 485–486;  
D21/324–325, 329, 333, 354, 369–371,  
D21/385; 273/146, 156, 268, 274; 463/17,  
463/20, 46–47; 715/781, 786  
CPC . G07F 17/32; G07F 17/3211; G07F 17/3216;  
G07F 17/322; G07F 17/3272; G07F 17/3283  
See application file for complete search history.

(56) **References Cited**

**U.S. PATENT DOCUMENTS**

2,661,954 A	12/1953	Koci	.....	463/57
D236,720 S	9/1975	Baker	.....	D21/370

(Continued)

**FOREIGN PATENT DOCUMENTS**

EP	649 671 A1	4/1995	.....	A63F 7/02
JP	03210172 B2	2/1993	.....	A63F 9/22

**OTHER PUBLICATIONS**

Product Sheet for “American Eagle,” Eagle Co. Ltd., 1997 (2 pages).

Product Sheet for “Monopoly Chairman of the Board™,” WMS Gaming Inc., 1999 (2 pages).  
Product Sheet for “American Eagle,” Eagle Co., Ltd., 2000 (2 pages).  
Product Sheet for “Survivor,” WMS Gaming Inc., 2001 (4 pages).

(Continued)

*Primary Examiner* — Sandra Morris

(74) *Attorney, Agent, or Firm* — Nixon Peabody LLP

(57) **CLAIM**

We claim the ornamental design for a “gaming machine,” as shown and described.

**DESCRIPTION**

FIG. 1 is a left isometric view of a gaming machine, according to a first embodiment.

FIG. 2 is a right isometric view of the gaming machine shown in FIG. 1.

FIG. 3 is a front view of the gaming machine shown in FIG. 1.

FIG. 4 is a top view of the gaming machine shown in FIG. 1.

FIG. 5 is a right cross-sectional view along lines “5-5” shown in FIG. 4.

FIG. 6 is a left isometric view of a gaming machine, according to a second embodiment.

FIG. 7 is a right isometric view of the gaming machine shown in FIG. 6.

FIG. 8 is a front view of the gaming machine shown in FIG. 6.

FIG. 9 is a top view of the gaming machine shown in FIG. 6; and,

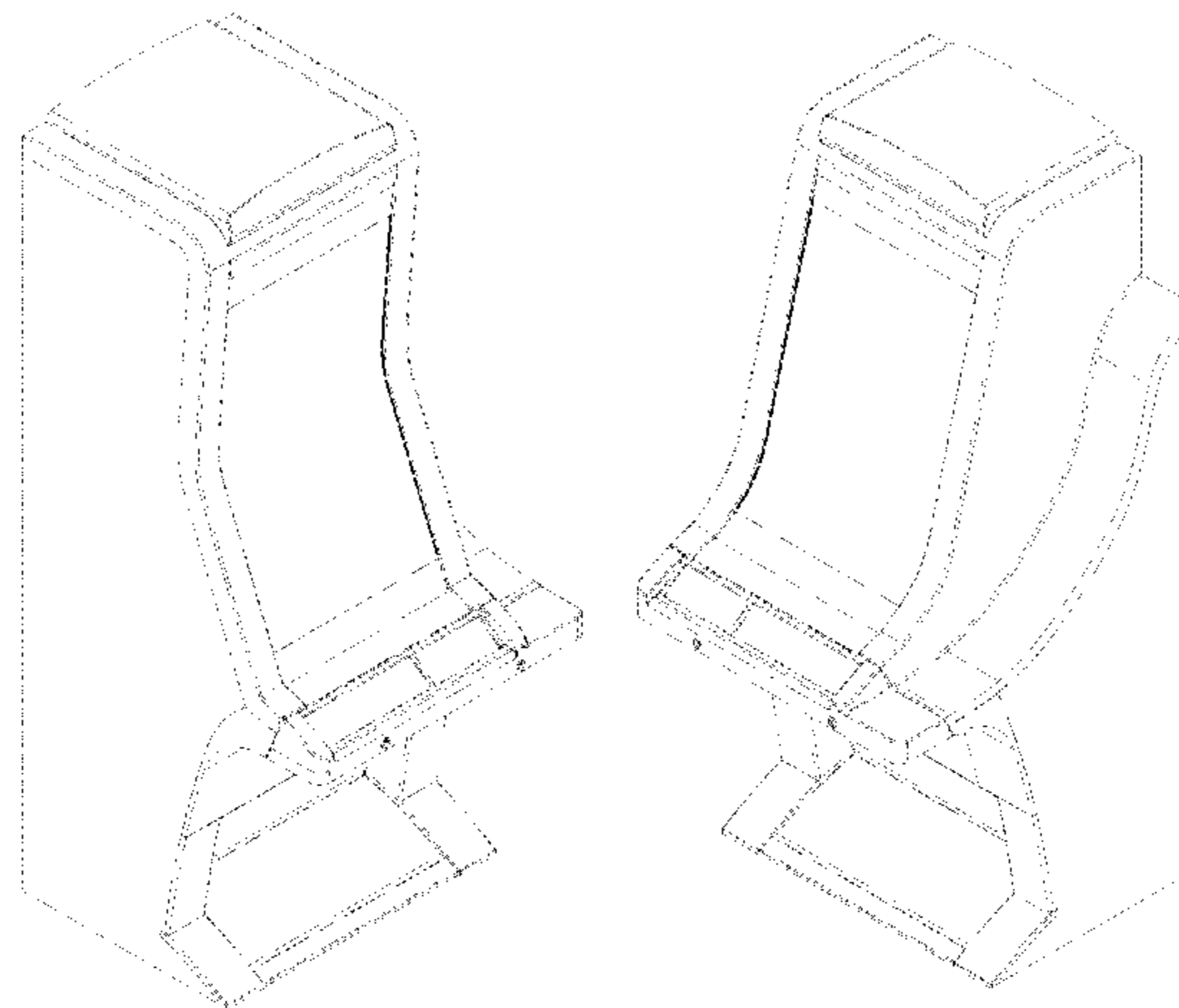
FIG. 10 is a right cross-sectional view along lines “10-10” shown in FIG. 9.

The broken lines shown in dashed form are only for illustrative purposes to show visible environmental structure and form no part of the claimed design.

The boundary lines shown in dot-dash form do not exist in reality in the gaming machine embodying the design and are only for illustrative purposes to show bounds of the claimed design. It is understood that the claimed design extends to the boundary but does not include the boundary.

The right cross-sectional views, i.e., FIGS. 5 and 10, are mirror images of respective left cross-sectional views along the cross-sectional lines, and are included to clarify an exterior shape of the claimed design.

**1 Claim, 10 Drawing Sheets**



(56)

## References Cited

## U.S. PATENT DOCUMENTS

- 4,046,419 A 9/1977 Schmitt ..... 297/153  
D264,485 S 5/1982 Kitchen ..... D21/370  
4,373,725 A 2/1983 Ritchie ..... 273/121  
D275,772 S 10/1984 Akopian et al. .... D21/13  
D280,835 S 10/1985 Berge et al. .... D21/13  
D280,836 S 10/1985 Ludzia et al. .... D21/13  
4,606,545 A 8/1986 Ritchie ..... 273/121  
4,705,274 A 11/1987 Lubeck ..... 273/148  
4,840,343 A 6/1989 Gasser ..... 248/500  
4,861,037 A 8/1989 Oursler ..... 273/121 D  
4,960,117 A 10/1990 Moncrief et al. .... 463/46  
4,981,298 A 1/1991 Lawlor et al. .... 273/121 A  
D315,110 S 3/1991 Slater ..... D10/88  
5,015,189 A 5/1991 Wenzinger et al. .... 434/63  
5,074,558 A 12/1991 Bleich et al. .... 273/121 A  
5,083,738 A 1/1992 Infanti ..... 248/500  
5,091,677 A 2/1992 Bleich et al. .... 315/360  
5,102,192 A 4/1992 Barile ..... 297/257  
5,110,120 A 5/1992 Smolucha ..... 273/121 R  
5,114,112 A 5/1992 Infanti ..... 248/500  
5,120,058 A 6/1992 Trudeau et al. .... 773/121 R  
5,123,647 A 6/1992 Lawlor et al. .... 273/121 A  
5,143,055 A 9/1992 Eakin ..... 601/47  
5,149,094 A 9/1992 Tastad ..... 273/121 A  
D333,164 S 2/1993 Kraft et al. .... D21/325  
5,193,807 A 3/1993 Schilling et al. .... 273/121 R  
5,195,746 A 3/1993 Boyd et al. .... 463/37  
D335,150 S 4/1993 Biagi et al. .... D21/48  
5,226,653 A 7/1993 Bil et al. .... 273/121 A  
5,232,191 A 8/1993 Infanti ..... 248/500  
5,290,034 A 3/1994 Hineman ..... 273/148  
5,297,793 A 3/1994 DeMar et al. .... 273/129 V  
5,316,303 A 5/1994 Trudeau et al. .... 273/121 A  
5,322,283 A 6/1994 Ritchie et al. .... 273/177  
5,326,104 A 7/1994 Pease et al. .... 273/138 A  
5,350,174 A 9/1994 Ritchie et al. .... 273/121 A  
D351,869 S 10/1994 Rothschild et al. .... D21/37  
5,351,954 A 10/1994 Oursler et al. .... 273/127 R  
5,357,104 A 10/1994 Bleich ..... 250/229  
5,358,241 A 10/1994 Anghelo et al. .... 273/118 R  
5,358,242 A 10/1994 Trudeau et al. .... 273/119 R  
5,358,243 A 10/1994 Eddy et al. .... 273/121 D  
D352,738 S 11/1994 Anghelo et al. .... D21/13  
5,383,663 A 1/1995 Anghelo et al. .... 273/118 R  
5,405,144 A 4/1995 Ritchie et al. .... 273/121 A  
5,409,296 A 4/1995 Barlie ..... 297/344.1  
5,411,257 A 5/1995 Fulton ..... 273/85  
5,415,402 A 5/1995 Morrison et al. .... 273/121 A  
5,415,403 A 5/1995 Ritchie et al. .... 273/121 A  
5,417,423 A 5/1995 Oursler et al. .... 273/127 R  
5,437,453 A 8/1995 Hineman ..... 273/148  
5,465,963 A 11/1995 Patla, Sr. .... 273/118 R  
5,472,197 A 12/1995 Gwiasda et al. .... 273/143 R  
5,494,286 A 2/1996 DeMar et al. .... 273/121 A  
5,507,488 A 4/1996 Eddy et al. .... 273/127 R  
5,511,783 A 4/1996 Popadiuk ..... 273/118 R  
5,516,103 A 5/1996 Lawlor et al. .... 273/127 R  
5,522,641 A 6/1996 Infanti ..... 297/344.13  
5,524,887 A 6/1996 Trudeau et al. .... 273/129 S  
5,533,726 A 7/1996 Nordman et al. .... 273/119 R  
5,542,748 A 8/1996 Barlie ..... 297/463.1  
D376,391 S 12/1996 Okumura ..... D21/326  
5,580,052 A 12/1996 Popadiuk et al. .... 273/127 R  
5,632,482 A 5/1997 Anghelo ..... 273/121 R  
D380,014 S 6/1997 Yang ..... D21/370  
5,655,965 A 8/1997 Takemoto et al. .... 463/20  
5,664,777 A 9/1997 Nordman et al. .... 273/127 R  
5,669,818 A 9/1997 Thorner et al. .... 463/30  
5,678,886 A 10/1997 Infanti ..... 297/217.3  
5,697,612 A 12/1997 Piotrowski et al. .... 273/127 R  
5,704,835 A 1/1998 Dietz, II ..... 463/20  
5,707,059 A 1/1998 Sullivan et al. .... 273/121 A  
5,720,480 A 2/1998 Lawlor et al. .... 273/118 A  
D395,463 S 6/1998 Scott et al. .... D21/38  
5,762,617 A 6/1998 Infanti ..... 601/49  
5,791,731 A 8/1998 Infanti ..... 297/217.3  
5,806,851 A 9/1998 Gomez et al. .... 273/121 A  
5,820,460 A 10/1998 Fulton ..... 463/13  
5,833,236 A 11/1998 Oursler et al. .... 273/127 R  
D405,473 S 2/1999 Tikhonski et al. .... D20/42  
D407,759 S 4/1999 Isetani et al. .... D21/326  
D408,366 S 4/1999 Popadiuk ..... D13/58  
5,890,715 A 4/1999 Gomez et al. .... 273/118 R  
5,899,454 A 5/1999 Eddy et al. .... 273/127 C  
5,924,690 A 7/1999 Kopera et al. .... 273/127 R  
5,934,672 A 8/1999 Sines et al. .... 273/143 R  
5,938,195 A 8/1999 Anghelo et al. .... 273/127 D  
5,944,309 A 8/1999 Popadiuk et al. .... 273/121 A  
5,984,782 A 11/1999 Inoue ..... 463/20  
6,000,697 A 12/1999 Popadiuk et al. .... 273/118 R  
D419,201 S 1/2000 De Haas ..... D21/370  
D419,606 S 1/2000 Toriyama ..... D21/325  
6,036,188 A 3/2000 Gomez et al. .... 273/118 R  
6,047,962 A 4/2000 Popadiuk ..... 273/119 A  
6,047,963 A 4/2000 Pierce et al. .... 273/143 R  
D424,122 S 5/2000 Dickenson et al. .... D21/325  
6,071,190 A 6/2000 Weiss et al. .... 463/25  
D428,062 S 7/2000 Hayashi ..... D21/325  
6,089,663 A 7/2000 Hill ..... 297/258.1  
6,102,394 A 8/2000 Wurz et al. .... 273/138.2  
6,113,097 A 9/2000 Krutsch et al. .... 273/118 A  
6,117,010 A 9/2000 Canterbury ..... 463/20  
6,120,021 A 9/2000 Piotrowski et al. .... 273/118 R  
6,129,353 A 10/2000 DeMar et al. .... 273/119 R  
6,129,355 A 10/2000 Hahn et al. .... 273/142 R  
6,135,449 A 10/2000 Cornell et al. .... 273/119 R  
6,135,562 A 10/2000 Infanti ..... 297/440.2  
6,149,153 A 11/2000 Sheats, Jr. .... 273/129 V  
6,155,565 A 12/2000 Gomez et al. .... 273/118 R  
6,155,925 A 12/2000 Giobbi et al. .... 463/20  
6,158,737 A 12/2000 Cornell et al. .... 273/118 R  
6,159,098 A 12/2000 Slomiany et al. .... 463/25  
6,164,644 A 12/2000 Cornell et al. .... 273/118 R  
6,173,955 B1 1/2001 Perrie et al. .... 273/146  
6,199,861 B1 3/2001 Hume et al. .... 273/118 R  
D439,931 S 4/2001 Yamaguchi ..... D21/369  
6,210,279 B1 4/2001 Dickinson ..... 463/37  
6,224,482 B1 5/2001 Bennett ..... 463/20  
6,227,614 B1 5/2001 Rubin ..... 297/172  
6,227,970 B1 5/2001 Shimizu et al. .... 463/20  
D443,313 S 6/2001 Brettschneider ..... D21/369  
D446,252 S 8/2001 Yamaguchi ..... D21/325  
6,283,546 B1 9/2001 Hill ..... 297/271.1  
6,290,229 B1 9/2001 Perez ..... 273/148  
D450,094 S 11/2001 Hedrick et al. .... D21/369  
6,334,612 B1 1/2002 Wurz et al. .... 273/143 R  
6,354,660 B1 3/2002 Friedrich ..... 297/217.1  
D459,402 S 6/2002 Wurz et al. .... D21/325  
6,422,670 B1 7/2002 Hedrick et al. .... 312/223.1  
6,422,941 B1 7/2002 Thorner et al. .... 463/30  
6,439,993 B1 8/2002 O'Halloran ..... 463/16  
D463,504 S 9/2002 Stephen ..... D21/325  
D464,377 S 10/2002 Wurz et al. .... D21/325  
D465,813 S 11/2002 Randall ..... D21/370  
D466,160 S 11/2002 Hirato et al. .... D21/325  
D467,977 S 12/2002 Gatto et al. .... D21/326  
D468,364 S 1/2003 Beadell et al. .... D21/325  
6,530,842 B1 3/2003 Wells et al. .... 463/46  
6,530,872 B2 3/2003 Freshland et al. .... 494/49  
6,572,187 B2 6/2003 Laufer ..... 297/217.1  
6,589,114 B2 7/2003 Rose ..... 463/20  
6,609,972 B2 8/2003 Seelig ..... 463/20  
6,616,142 B2 9/2003 Adams ..... 273/292  
6,620,047 B1 9/2003 Alcorn et al. .... 463/37  
D481,078 S 10/2003 Stephan ..... D21/369  
6,646,695 B1 11/2003 Gauselmann ..... 349/58  
D483,075 S 12/2003 Kang ..... D21/326  
D484,548 S 12/2003 Franco Muñoz et al. .... D21/370  
D485,583 S 1/2004 Porto ..... D21/369  
6,715,756 B2 4/2004 Inoue ..... 273/138  
6,729,618 B1 5/2004 Koenig et al. .... 273/138.2  
D492,363 S 6/2004 Seelig et al. .... D21/370  
D492,364 S 6/2004 Seelig et al. .... D21/370  
D492,365 S 6/2004 Muñoz et al. .... D21/370

(56)

References Cited

U.S. PATENT DOCUMENTS

D492,676 S 7/2004 Monson et al. .... D14/306  
 D493,843 S 8/2004 Jackson et al. .... D21/327  
 D493,846 S 8/2004 Seelig et al. .... D21/370  
 D495,754 S 9/2004 Wurz et al. .... D21/370  
 D495,755 S 9/2004 Wurz et al. .... D21/370  
 D498,267 S 11/2004 Crouch ..... D21/370  
 D500,098 S 12/2004 Doi ..... D21/477  
 6,880,825 B2 4/2005 Seelig et al. .... 273/143 R  
 D508,268 S 8/2005 Hanchar et al. .... D21/369  
 D508,269 S 8/2005 Wichinsky ..... D21/369  
 D508,719 S 8/2005 de Haas ..... D21/369  
 D508,961 S 8/2005 Gatto et al. .... D21/369  
 D509,254 S 9/2005 Rasmussen et al. .... D21/369  
 D512,105 S 11/2005 Chitrapongse et al. .... D21/370  
 6,997,810 B2 2/2006 Cole ..... 463/46  
 7,063,615 B2 6/2006 Alcorn et al. .... 463/1  
 7,108,237 B2 9/2006 Gauselmann ..... 248/220.22  
 D531,677 S 11/2006 Mallory et al. .... D21/369  
 7,184,277 B2 2/2007 Beirne ..... 361/807  
 D539,854 S 4/2007 Luciano et al. .... D21/369  
 D549,785 S 8/2007 Luciano, Jr. et al. .... D21/370  
 7,267,612 B2 9/2007 Alcorn et al. .... 463/16  
 D559,328 S 1/2008 Rasmussen et al. .... D21/333  
 D559,917 S 1/2008 Cole ..... D21/369  
 D560,724 S 1/2008 Johnson ..... D21/370  
 D560,725 S 1/2008 Johnson ..... D21/370  
 D563,326 S 3/2008 Patel et al. .... D13/164  
 D563,481 S 3/2008 Looks et al. .... D21/370  
 D564,600 S 3/2008 Greenberg et al. .... D21/370  
 D564,601 S 3/2008 Strahinic et al. .... D21/370  
 D566,197 S 4/2008 Greenberg et al. .... D21/370  
 D572,314 S 7/2008 Vallejo et al. .... D21/370  
 D578,168 S 10/2008 Looks et al. .... D21/369  
 D581,983 S 12/2008 Bergström ..... D20/2  
 RE40,625 E 1/2009 Wurz et al. .... D21/325  
 RE40,671 E 3/2009 Wurz et al. .... D21/325  
 7,503,849 B2 3/2009 Hornik et al. .... 463/20  
 D599,858 S 9/2009 Lesley et al. .... D21/370  
 D599,859 S 9/2009 Lesley et al. .... D21/370  
 D599,860 S 9/2009 Lesley et al. .... D21/385  
 D604,368 S 11/2009 Lesley et al. .... D21/370  
 7,628,693 B2 12/2009 Thomas ..... 463/20  
 7,686,689 B2 3/2010 Thomas ..... 463/27  
 D615,598 S 5/2010 McComb et al. .... D21/370  
 7,713,119 B2 5/2010 Pacey et al. .... 463/20  
 D622,780 S 8/2010 Lesley et al. .... D21/369  
 D622,781 S 8/2010 Lesley et al. .... D21/369  
 D622,782 S 8/2010 Lesley et al. .... D21/385  
 7,811,167 B2 10/2010 Giobbi et al. .... 463/24  
 7,976,393 B2 7/2011 Haga et al. .... 463/46  
 7,985,139 B2 7/2011 Lind et al. .... 463/46  
 8,002,424 B2 8/2011 Hwang et al. .... 362/125  
 8,002,626 B2 8/2011 Englman ..... 463/20  
 D646,337 S 10/2011 Kelly et al. .... D21/370  
 D649,605 S 11/2011 Terpstra et al. .... D21/370

8,152,623 B2 4/2012 Fiden ..... 463/20  
 8,162,740 B2 4/2012 Aoki ..... 463/20  
 8,216,061 B2 7/2012 Pacey ..... 463/25  
 8,267,764 B1 9/2012 Aoki et al. .... 463/16  
 8,292,451 B2 10/2012 Hwang et al. .... 362/125  
 8,303,420 B2 11/2012 Chudek et al. .... 463/46  
 8,323,114 B2 12/2012 Burak et al. .... 463/46  
 8,353,755 B2 1/2013 Vann et al. .... 463/20  
 8,371,920 B2 2/2013 Gomez et al. .... 463/17  
 8,371,927 B2 2/2013 Englman ..... 463/20  
 8,371,928 B2 2/2013 Englman et al. .... 463/20  
 8,376,832 B2 2/2013 O'Connor et al. .... 463/20  
 8,430,756 B2 4/2013 McComb et al. .... 463/46  
 D685,033 S 6/2013 Wudtke ..... D21/370  
 D704,273 S 5/2014 Chudek ..... D21/369  
 D704,275 S 5/2014 Lesley et al. .... D21/385  
 2002/0041069 A1 4/2002 Steelman ..... 273/138.1  
 2003/0122973 A1 7/2003 Huang ..... 348/836  
 2004/0018877 A1 1/2004 Tastad et al. .... 463/46  
 2004/0053662 A1 3/2004 Pacey ..... 463/16  
 2005/0014547 A1 1/2005 Gomez et al. .... 463/16  
 2006/0009284 A1 1/2006 Schwartz et al. .... 463/30  
 2006/0079316 A1 4/2006 Flemming et al. .... 463/25  
 2006/0131810 A1 6/2006 Nicely ..... 273/292  
 2006/0183553 A1 8/2006 Kiriyaama et al. .... 463/46  
 2006/0199638 A1 9/2006 Walker et al. .... 463/30  
 2006/0281559 A1 12/2006 Luciano ..... 463/46  
 2006/0287111 A1 12/2006 Mitchell et al. .... 463/46  
 2008/0039213 A1 2/2008 Cornell et al. .... 463/46  
 2008/0051202 A1 2/2008 Lube ..... 463/46  
 2012/0122569 A1 5/2012 Kowolik et al. .... 463/30

OTHER PUBLICATIONS

Product Sheet for "ProSLOT® 6000," Bally Gaming Systems, 2002 (4 pages).  
 Product Sheet for "EVO™ Hybrid," Bally Gaming Systems, 2002 (4 pages).  
 Product Sheet for "3RV™," WMS Gaming Inc., 2002 or earlier (2 pages).  
 Product Sheet for "Miss America," AC Coin & Slot, 2002 or earlier (2 pages).  
 Product Catalog for Ainsworth Game Technology Ltd, date estimated as early as 2007 (6 pages).  
 Product Sheet for "Ultrapin™," Global VR, 2007 (1 pages).  
 Brochure for "Virtual Pinball," Tab-Austria, 2007 (8 pages).  
 Catalog for Atronic®-Spielo®, date estimated as early as 2008 (2 pages).  
 Product Catalog for "Alpha Elite™," Bally Technologies, date estimated as early as 2008-2009 (2 pages).  
 Cabinet Brochure for Hydako Co., date estimated as early as 2009 (1 page).  
 Product Catalog for Bally Technologies, date estimated as early as 2010 (2 pages).  
 Fall & Winter Catalog for Aristocrat, date estimated as early as 2010-2011 (7 pages).  
 Catalog for "Your Partner Innovation," Bally Technologies, date estimated as early as 2011 (4 pages).

FIG. 1

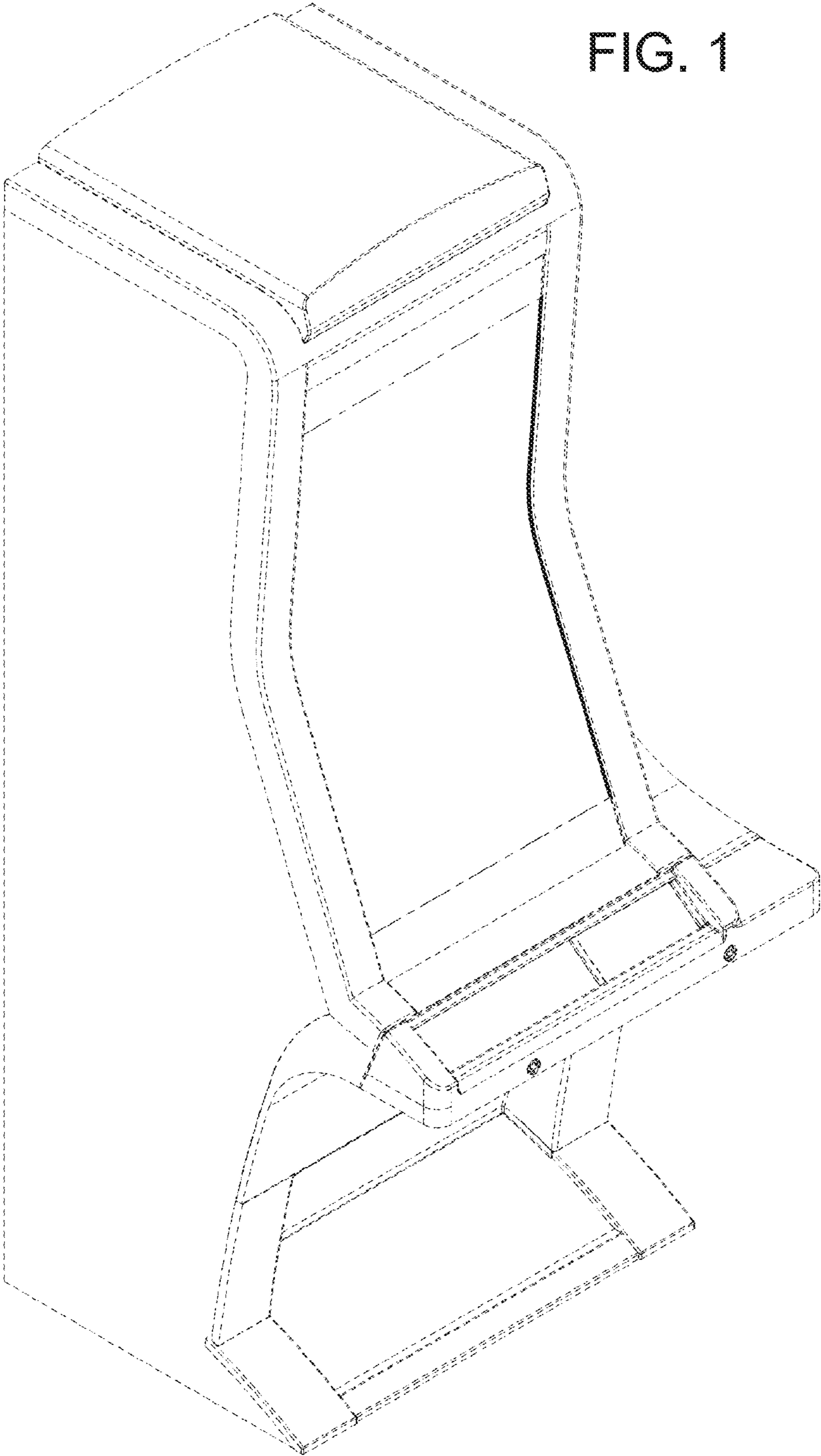


FIG. 2

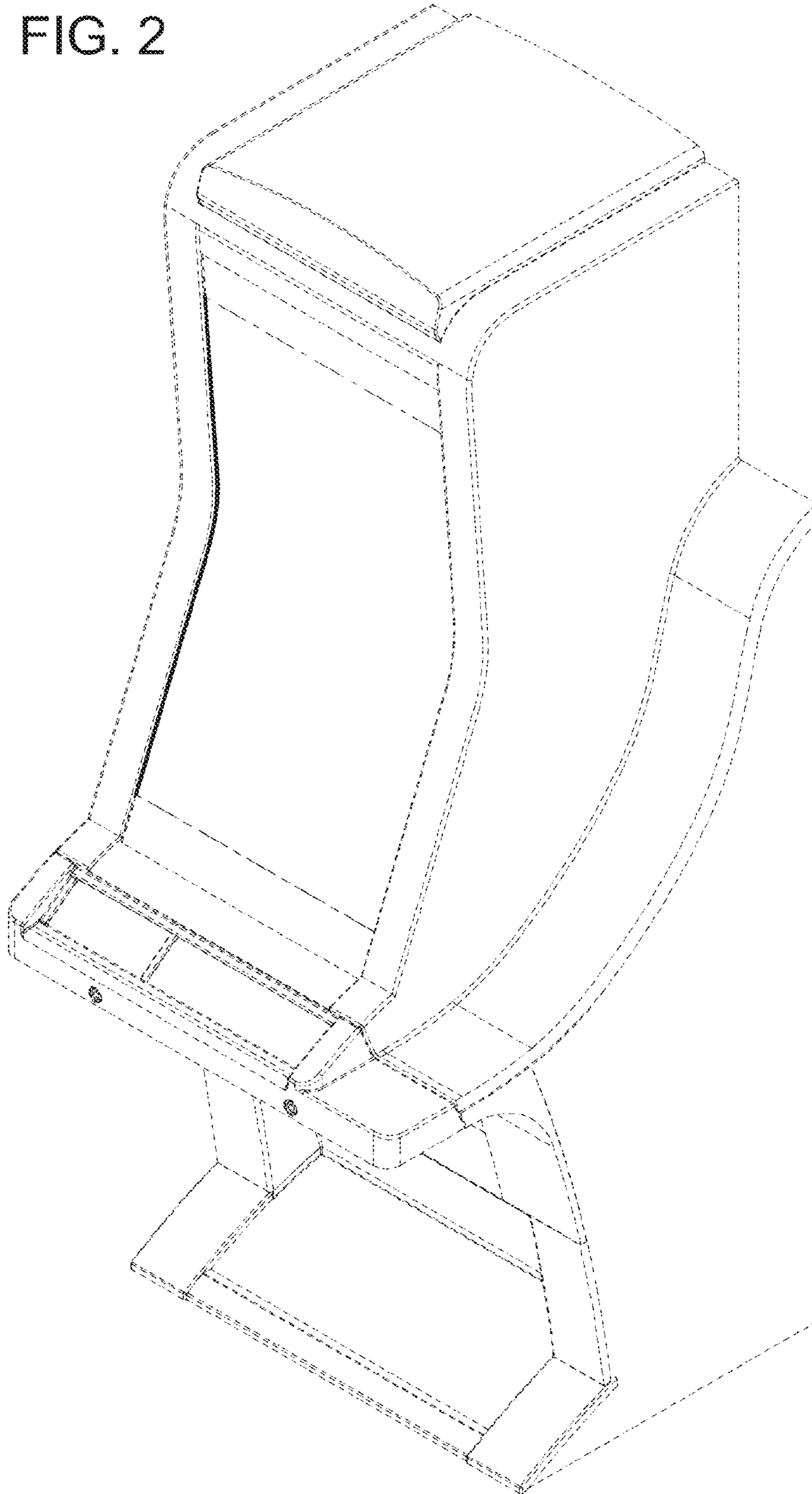


FIG. 3

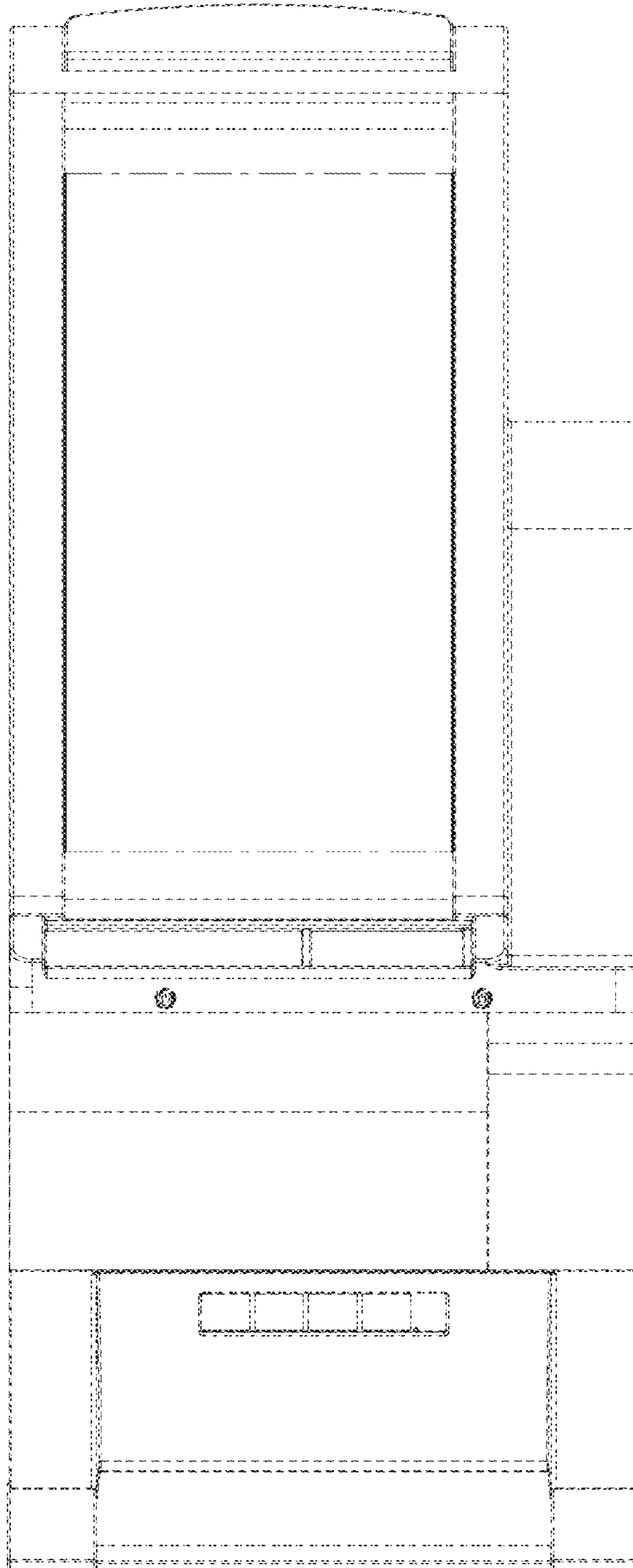


FIG. 4

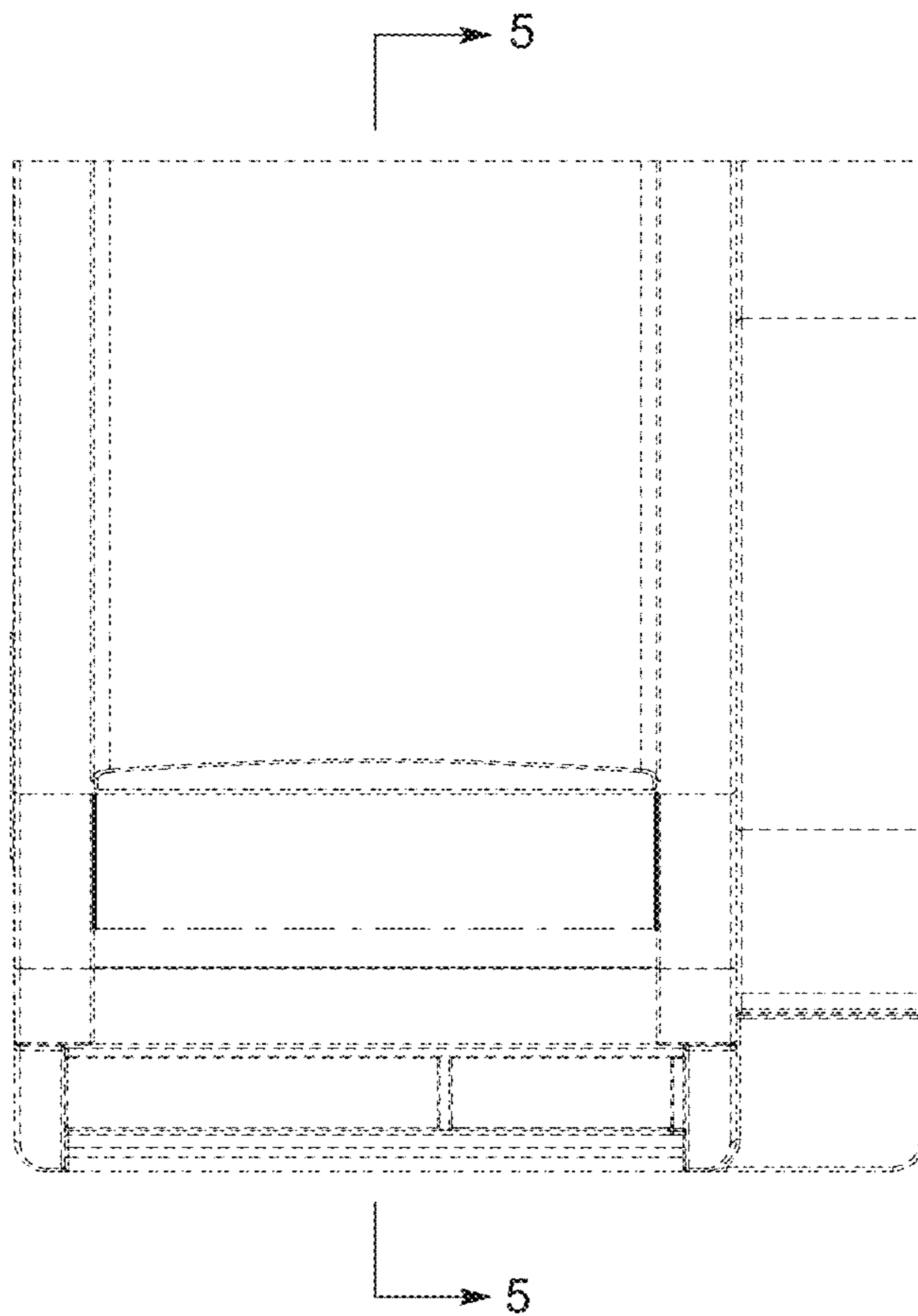


FIG. 5

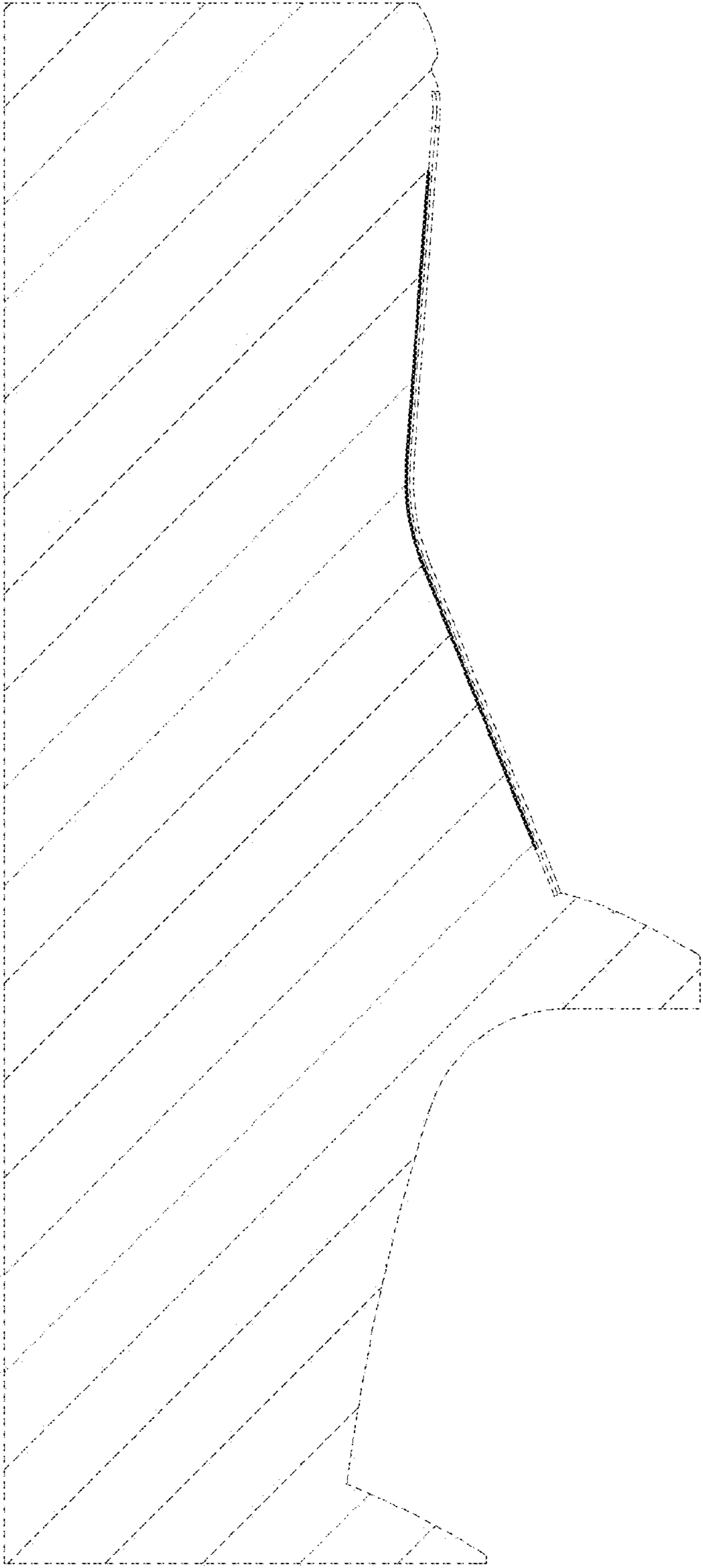




FIG. 6

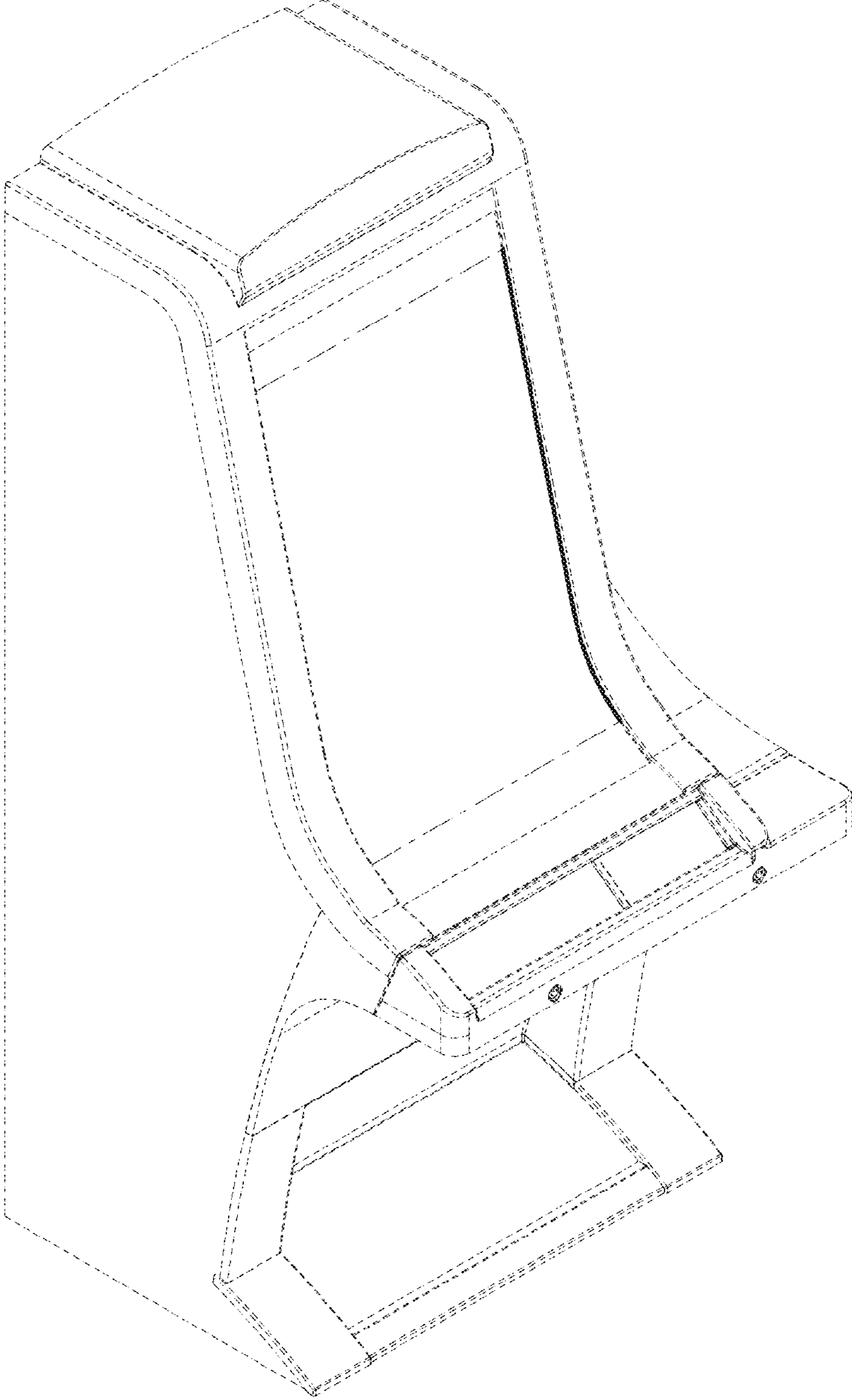


FIG. 7

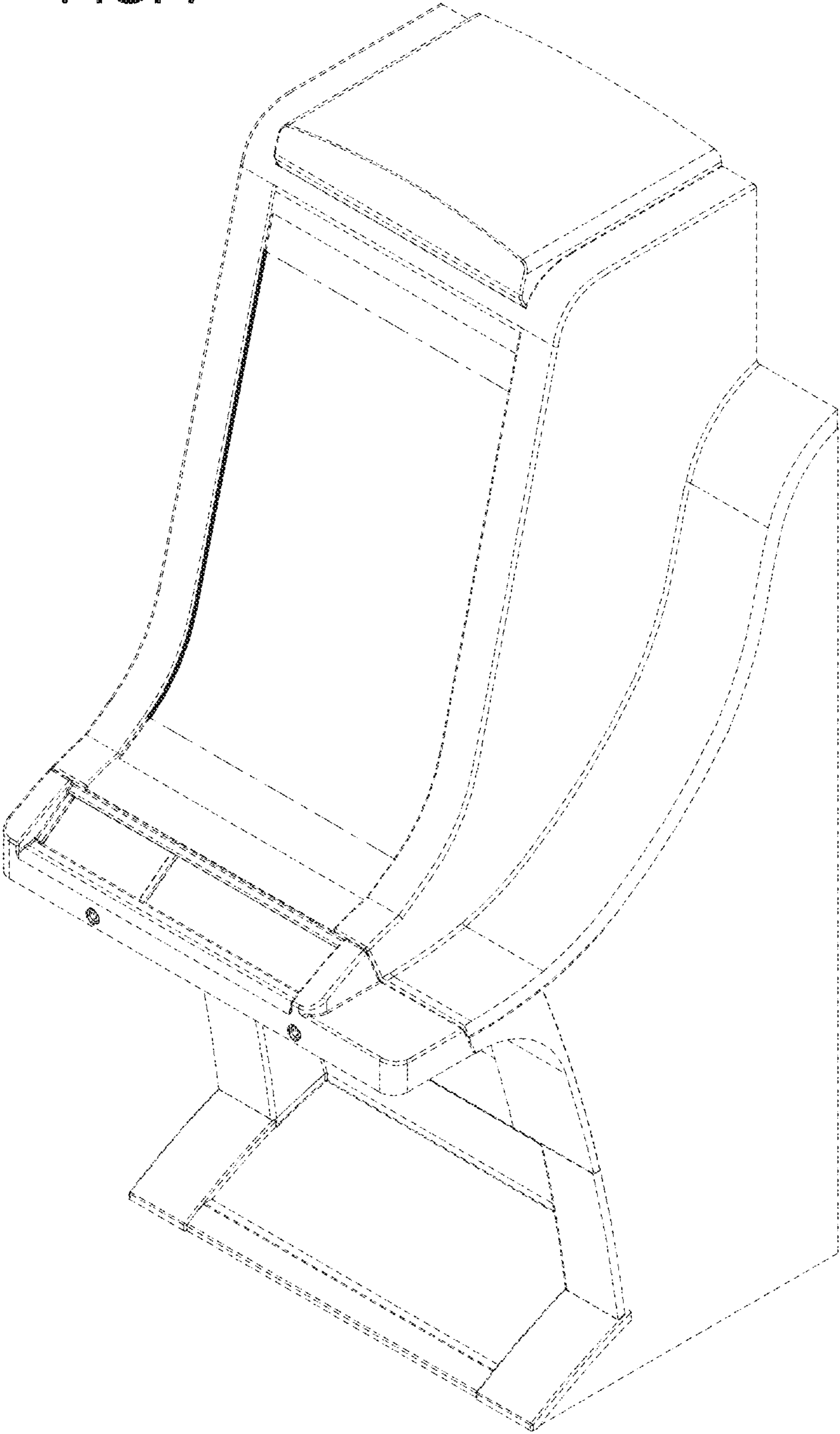


FIG. 8

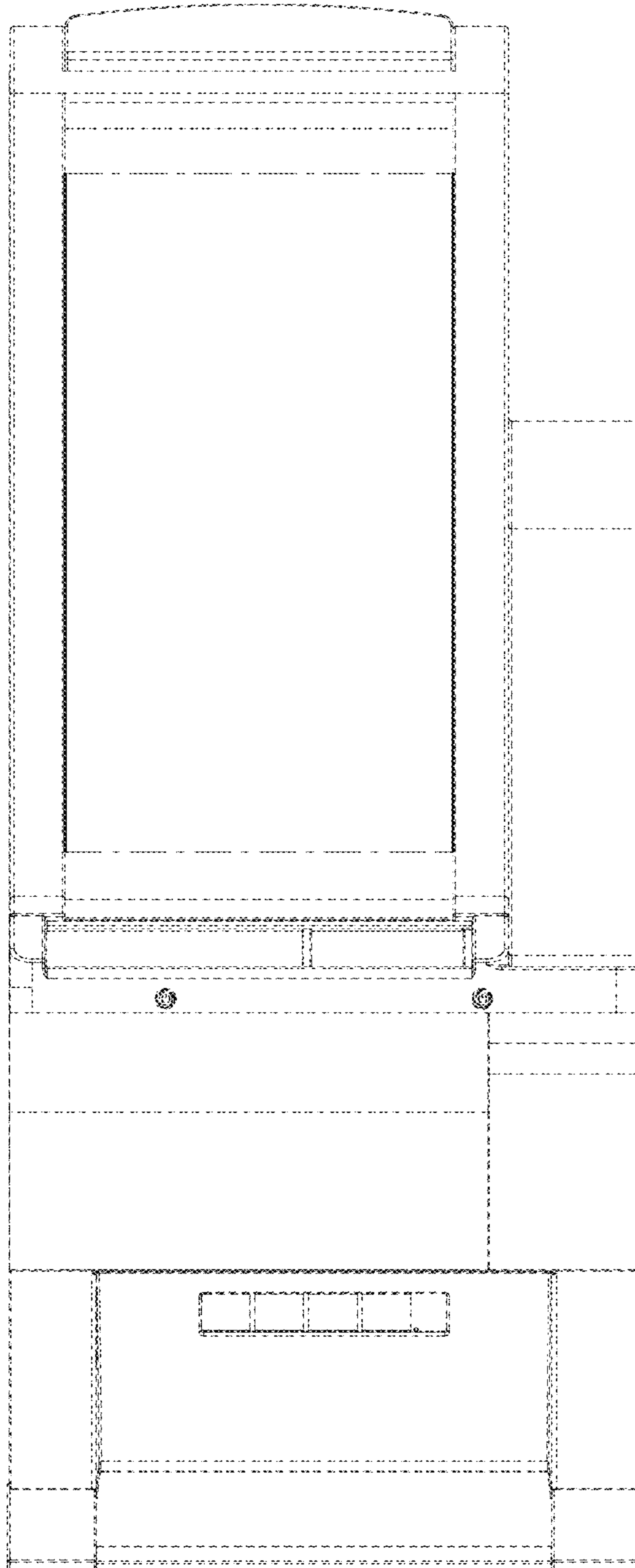


FIG. 9

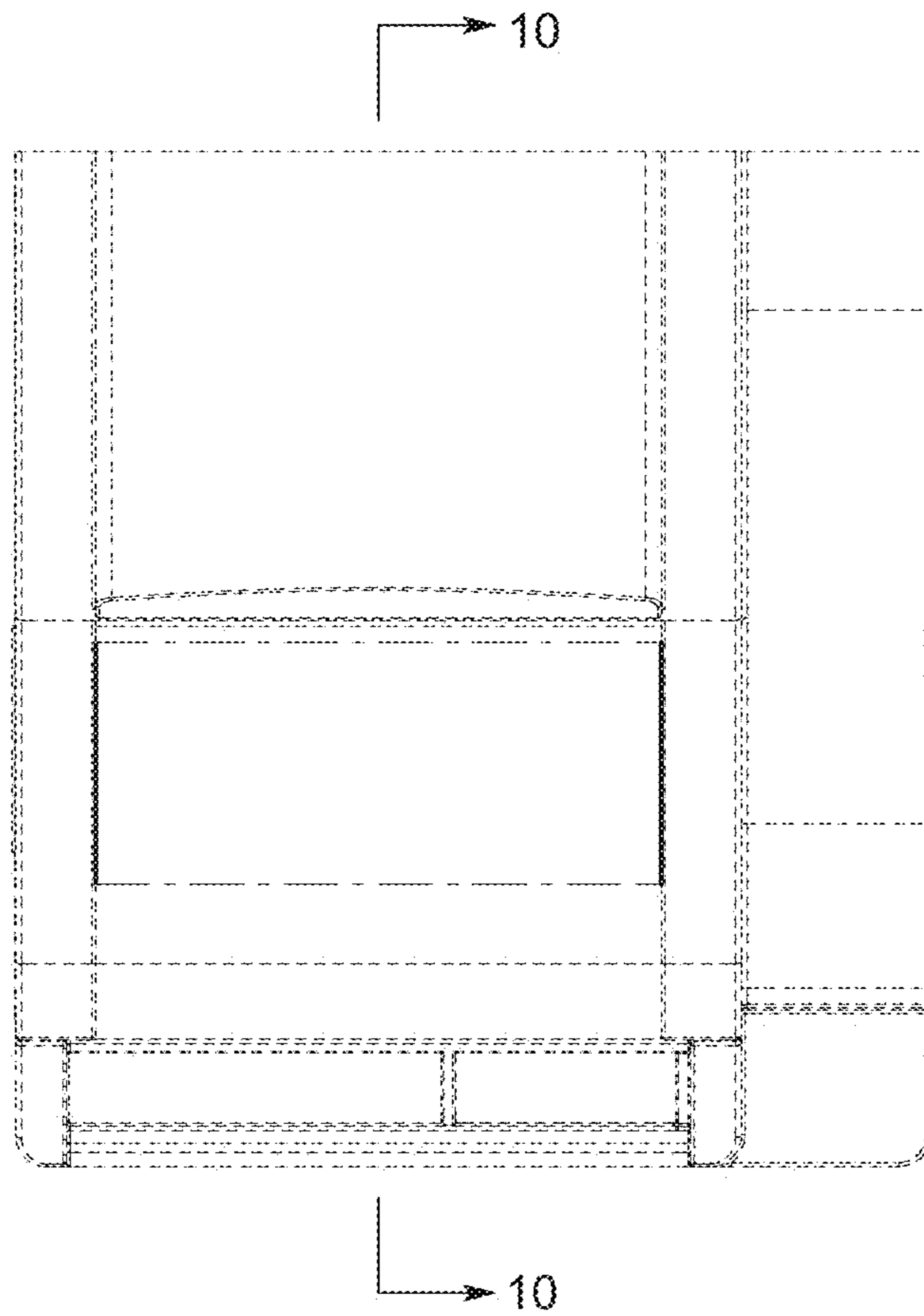


FIG. 10

