



US00D742970S

(12) **United States Design Patent**
White

(10) **Patent No.:** **US D742,970 S**

(45) **Date of Patent:** **** Nov. 10, 2015**

(54) **HINGED OFFSET DISPLAY HOLDER**

(71) Applicant: **Michael J. White**, Ripon, WI (US)

(72) Inventor: **Michael J. White**, Ripon, WI (US)

(73) Assignee: **K-International, Inc.**, Waukegan, IL (US)

(**) Term: **14 Years**

(21) Appl. No.: **29/492,094**

(22) Filed: **May 28, 2014**

(51) **LOC (10) Cl.** **20-03**

(52) **U.S. Cl.**
USPC **D20/43; D8/380**

(58) **Field of Classification Search**

USPC D8/380, 349, 354, 381, 373, 367, 355, D8/363, 382, 374, 339, 376, 398, 47, 19, D8/16; D20/40, 42, 43, 44, 99; 52/4, 260, 52/649.1, 649.2, 296; D6/702, 550, 310; D23/259; 482/16; D12/160; D25/133; D14/238, 251, 447, 253; 224/250, 269, 224/901.4, 930, 242, 246, 669; 24/16 R; 248/59, 62, 58, 68.1, 295.11; D7/701; D3/218, 220; D52/677
CPC G09F 7/04; G09F 1/10; G09F 1/12; G09F 19/00; G09F 2007/1852; G09F 3/08; G09F 5/00; G09B 1/08

See application file for complete search history.

(56) **References Cited**

U.S. PATENT DOCUMENTS

D238,412 S *	1/1976	De Mars	D20/44
D322,634 S *	12/1991	Callas	D20/44
D372,939 S *	8/1996	Callas	D20/43
D381,695 S *	7/1997	Lewis	D20/40
D386,531 S *	11/1997	Callas	D20/40
D389,259 S *	1/1998	Tichy et al.	D20/43
D389,526 S *	1/1998	Callas	D20/43
D423,592 S *	4/2000	Wamsley	D20/42
D496,248 S *	9/2004	Liebendorfer	D8/354
D511,548 S *	11/2005	Wamsley	D20/43

D537,326 S *	2/2007	Wolff et al.	D8/381
D669,135 S *	10/2012	Garfinkle	D20/43
D673,223 S *	12/2012	White	D20/43

* cited by examiner

Primary Examiner — Robert M Spear

Assistant Examiner — Eliza Bennett-Hattan

(74) *Attorney, Agent, or Firm* — Schiff Harding LLP

(57) **CLAIM**

The ornamental design for a hinged offset display holder, as shown and described.

DESCRIPTION

FIG. 1 is a perspective view taken from the back, top, left side of a first embodiment of the hinged offset display holder showing my new design;

FIG. 2 is a top plan view thereof;

FIG. 3 is a bottom plan view thereof;

FIG. 4 is a back elevational view thereof;

FIG. 5 is a front elevational view thereof;

FIG. 6 is a left side elevational view thereof, the right side elevational view being a mirror image thereof and thus not shown;

FIG. 7 is a perspective view taken from the back, top, left side of a second embodiment of the magnetic display holding channel showing my new design;

FIG. 8 is a top plan view thereof;

FIG. 9 is a bottom plan view thereof;

FIG. 10 is a back elevational view thereof;

FIG. 11 is a front elevational view thereof;

FIG. 12 is a left side elevational view thereof, the right side elevational view being a mirror image thereof and thus not shown;

FIG. 13 is a perspective view taken from the back, top, left side of a third embodiment of the hinged offset display holder showing my new design;

FIG. 14 is a top plan view thereof;

FIG. 15 is a bottom plan view thereof;

FIG. 16 is a back elevational view thereof;

FIG. 17 is a front elevational view thereof;

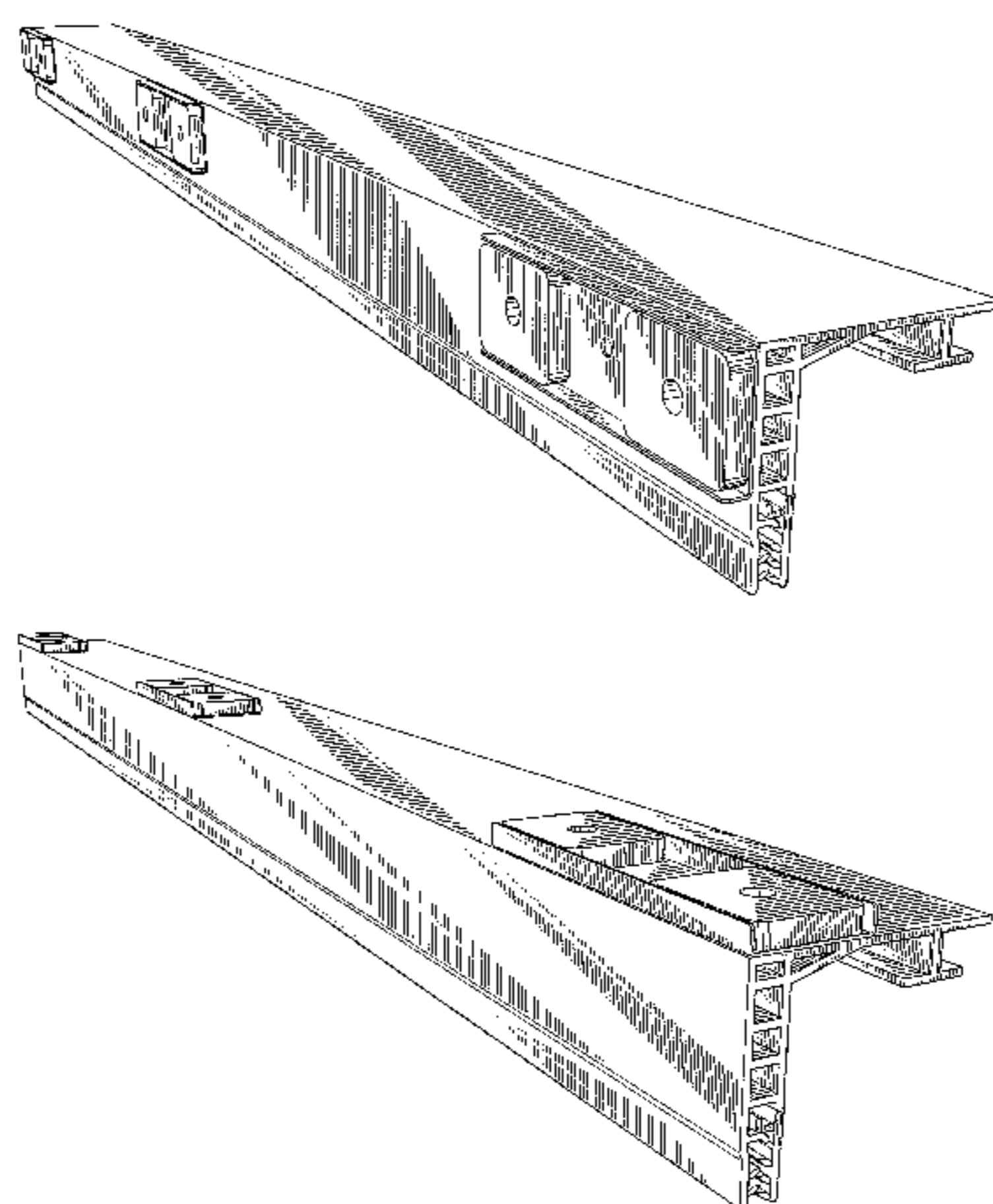


FIG. 18 is a left side elevational view thereof, the right side elevational view being a mirror image thereof and thus not shown;

FIG. 19 is a perspective view taken from the back, top, left side of a fourth embodiment of the hinged offset display holder showing my new design;

FIG. 20 is a top plan view thereof;

FIG. 21 is a bottom plan view thereof;

FIG. 22 is a back elevational view thereof;

FIG. 23 is a front elevational view thereof;

FIG. 24 is a left side elevational view thereof, the right side elevational view being a mirror image thereof and thus not shown;

FIG. 25 is a perspective view taken from the back, top, left side of a fifth embodiment of the hinged offset display holder showing my new design;

FIG. 26 is a top plan view thereof;

FIG. 27 is a bottom plan view thereof;

FIG. 28 is a back elevational view thereof;

FIG. 29 is a front elevational view thereof;

FIG. 30 is a left side elevational view thereof, the right side elevational view being a mirror image thereof and thus not shown;

FIG. 31 is a perspective view taken from the back, top, left side of a sixth embodiment of the hinged offset display holder showing my new design;

FIG. 32 is a top plan view thereof;

FIG. 33 is a bottom plan view thereof;

FIG. 34 is a back elevational view thereof;

FIG. 35 is a front elevational view thereof; and,

FIG. 36 is a left side elevational view thereof, the right side elevational view being a mirror image thereof and thus not shown.

1 Claim, 18 Drawing Sheets

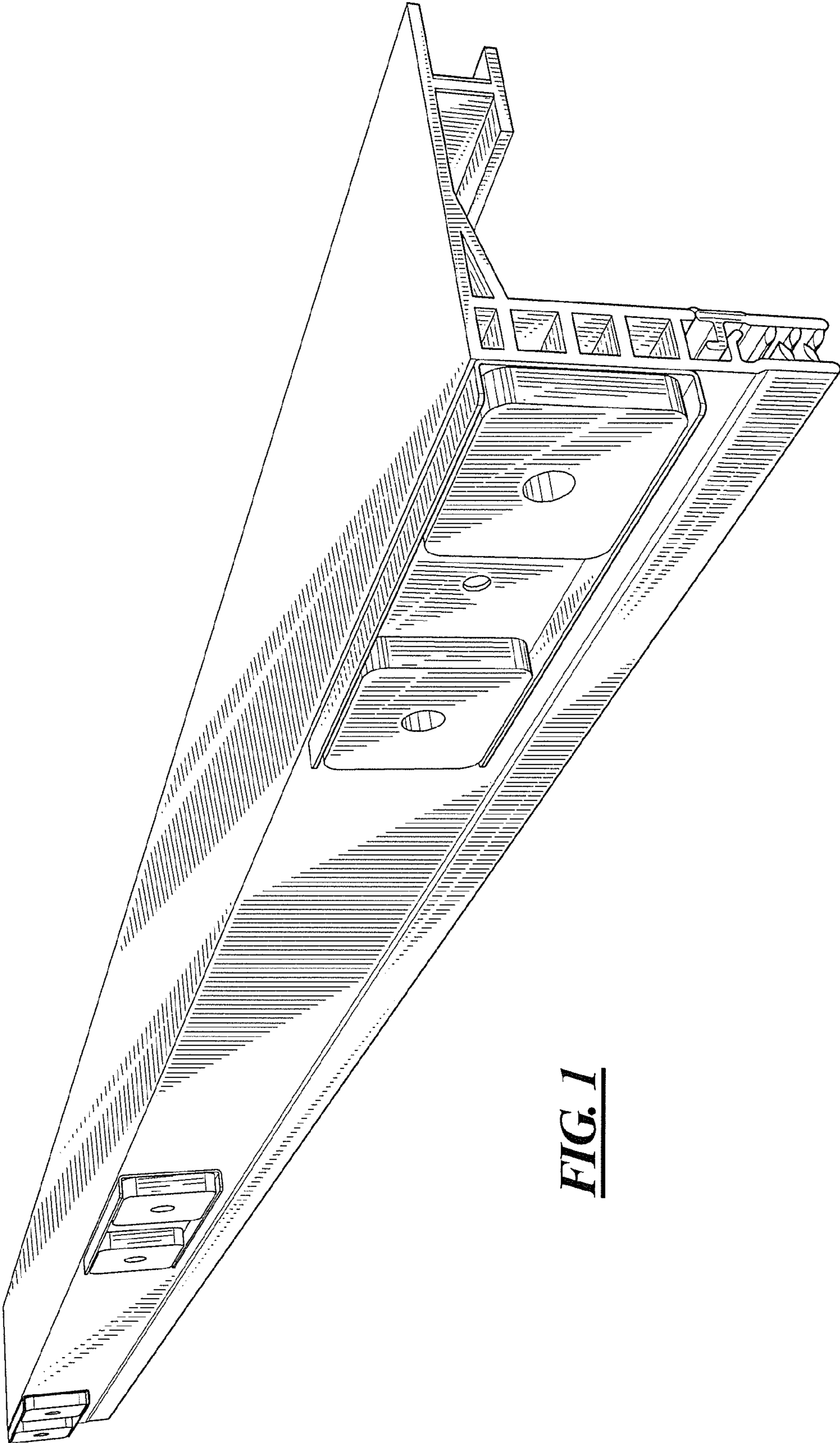


FIG. 1

FIG. 2

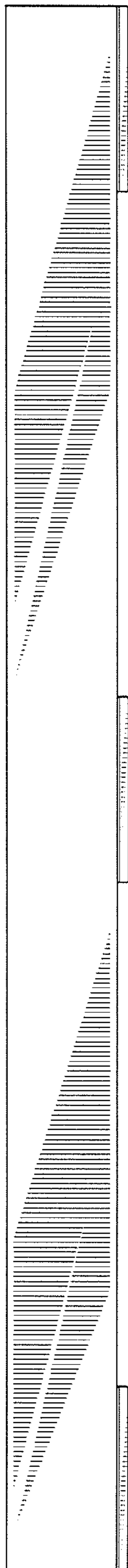


FIG. 3

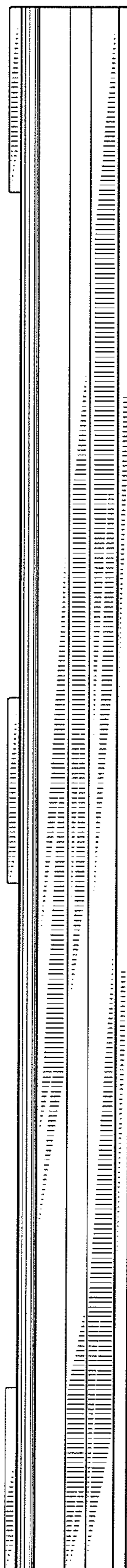


FIG. 4

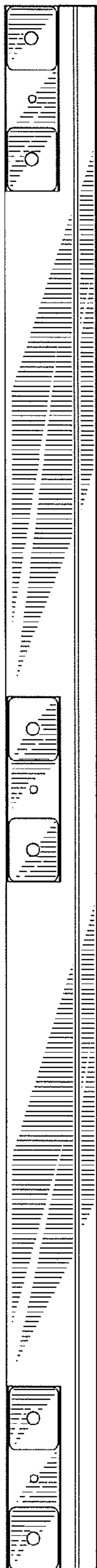


FIG. 5

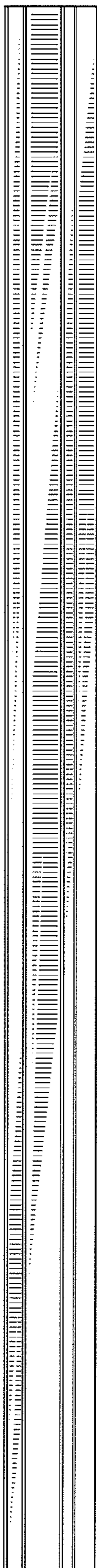
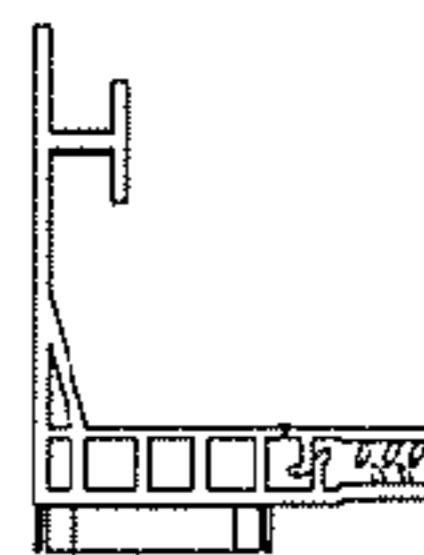


FIG. 6



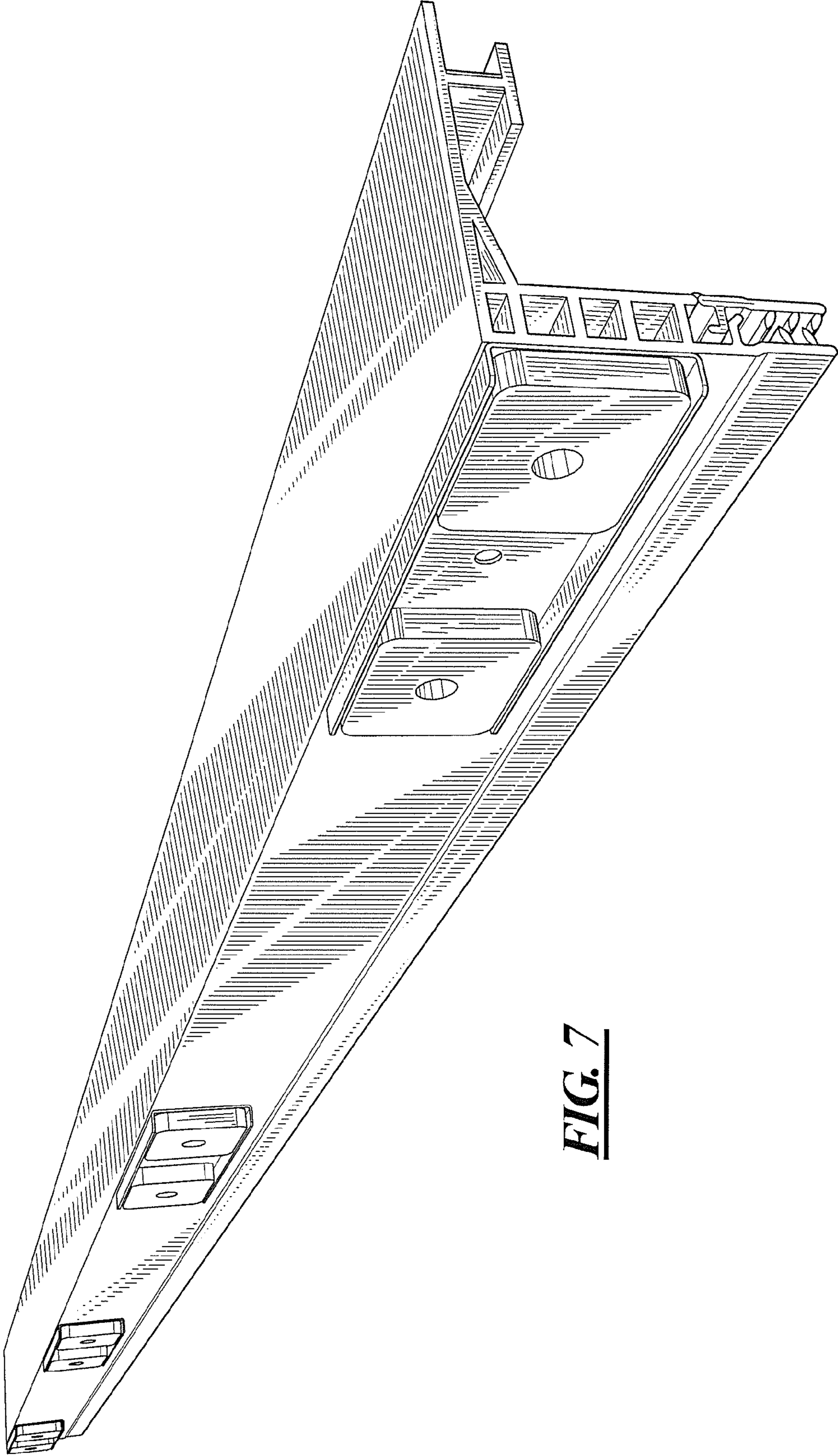


FIG. 7

FIG. 8

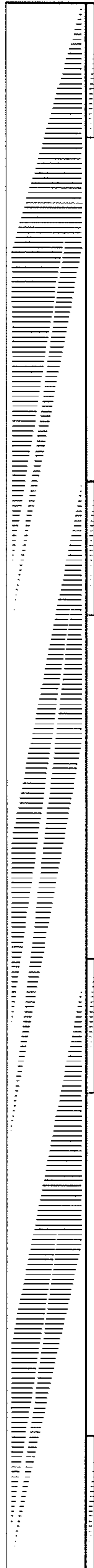


FIG. 9

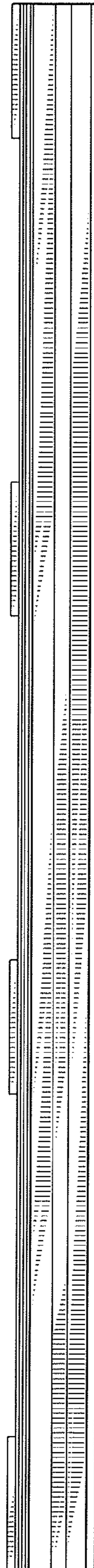


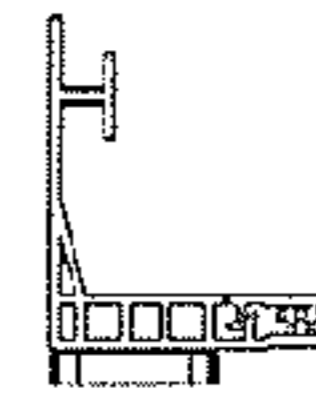
FIG. 10



FIG. 11



FIG. 12



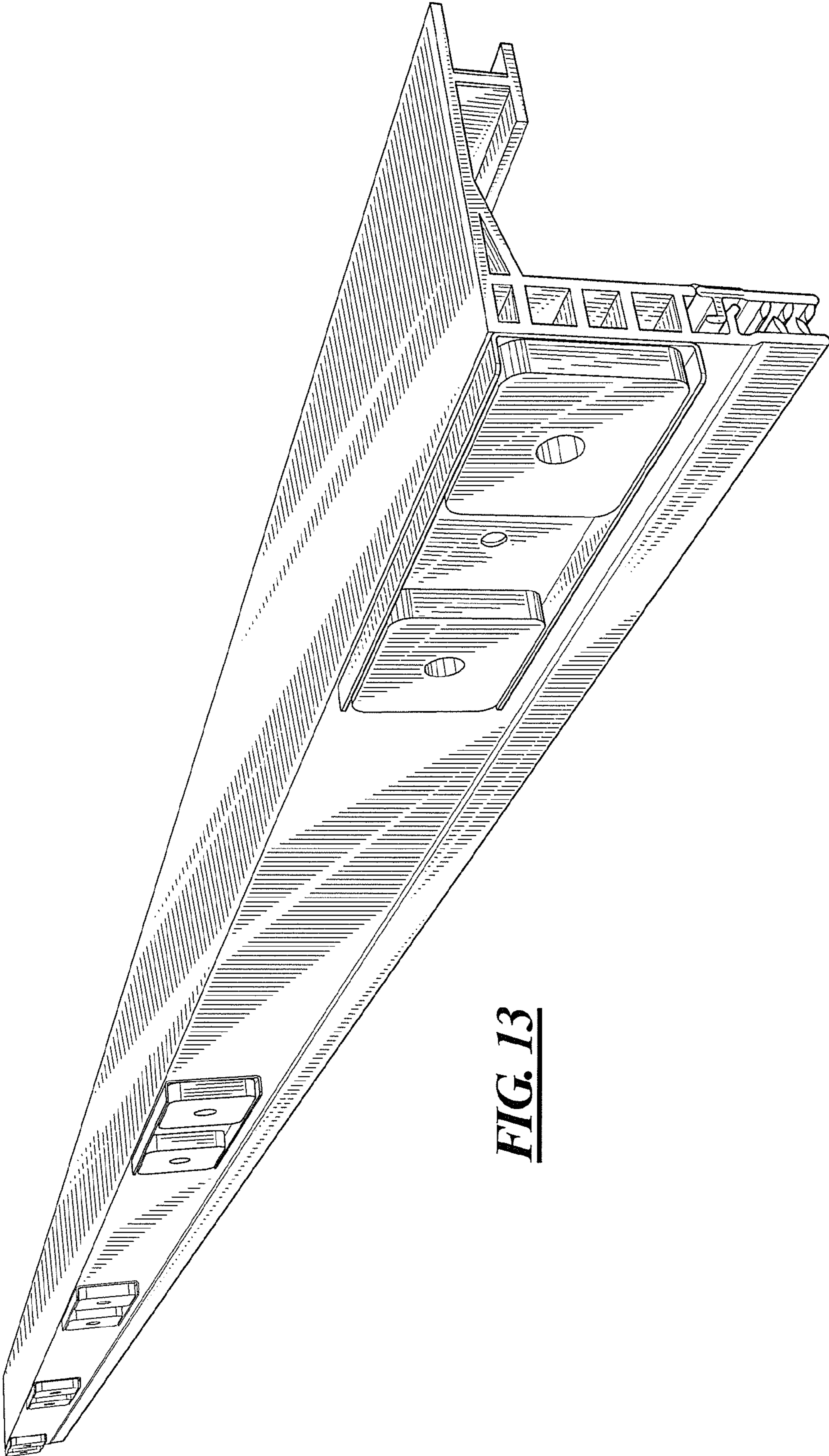


FIG. 13

FIG. 14

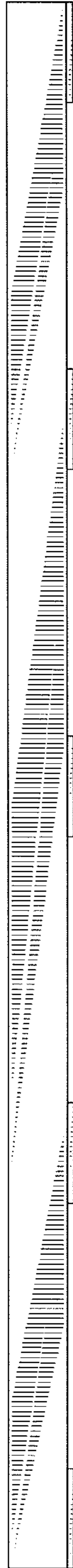


FIG. 15

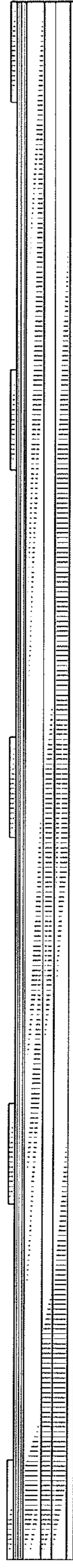


FIG. 16

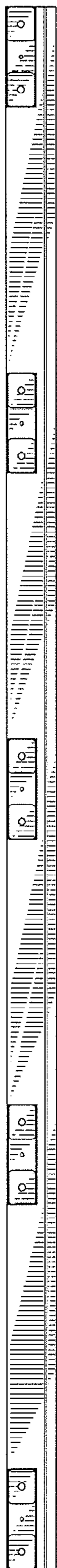


FIG. 17

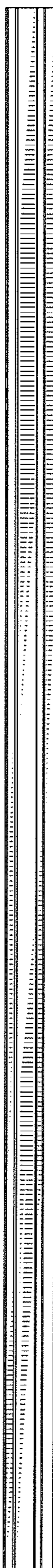
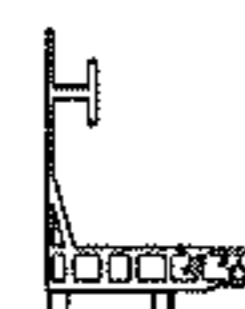


FIG. 18



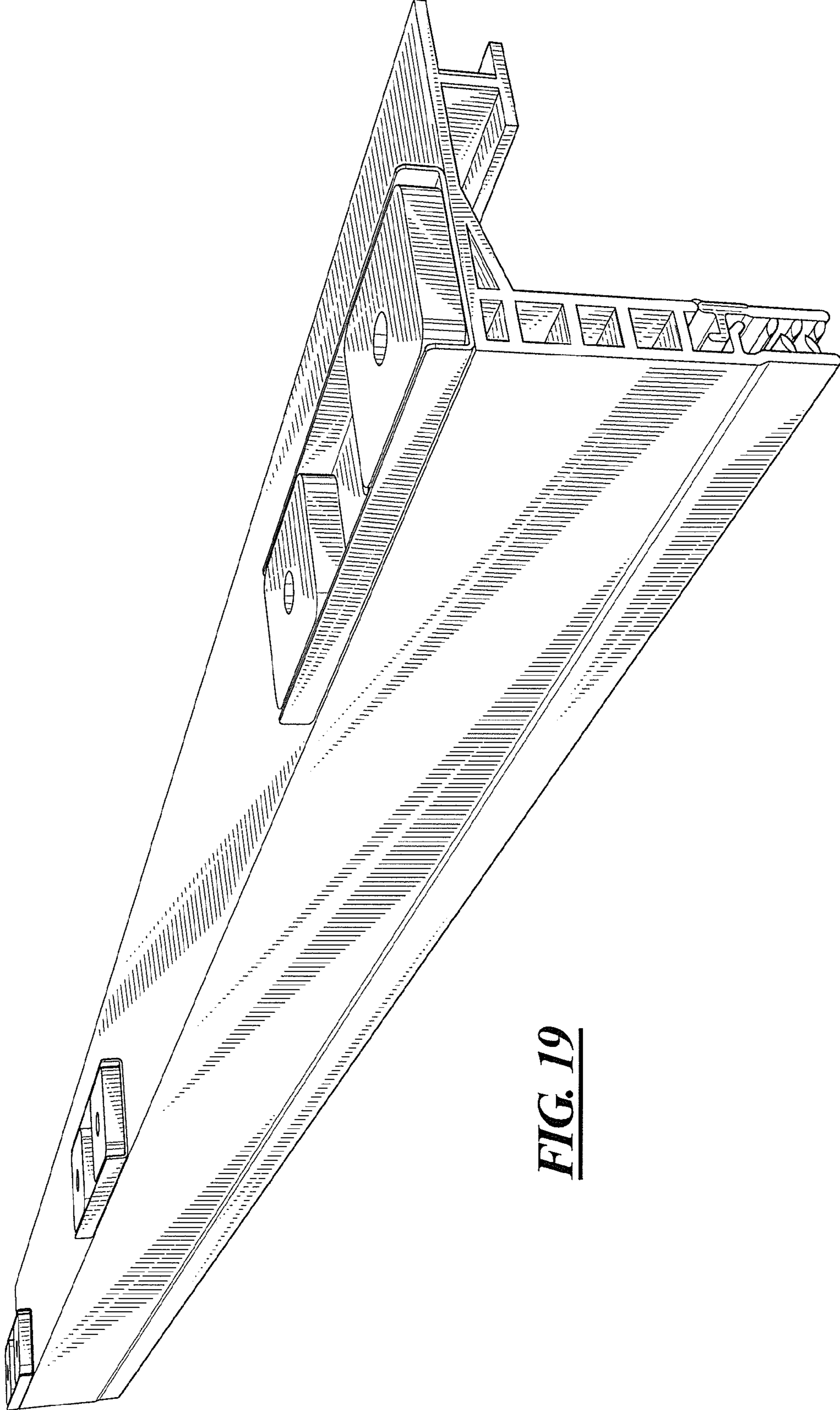


FIG. 19

FIG. 20

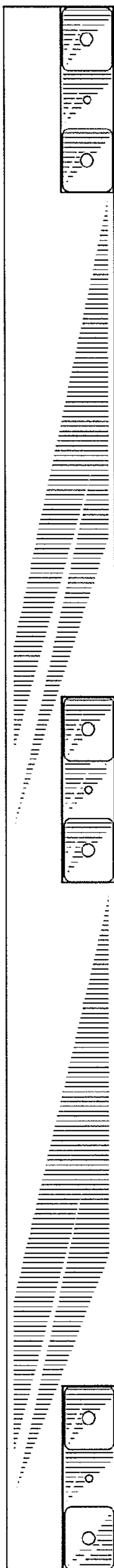


FIG. 21

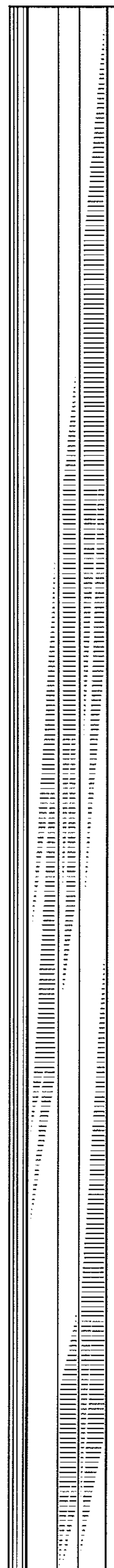


FIG. 22

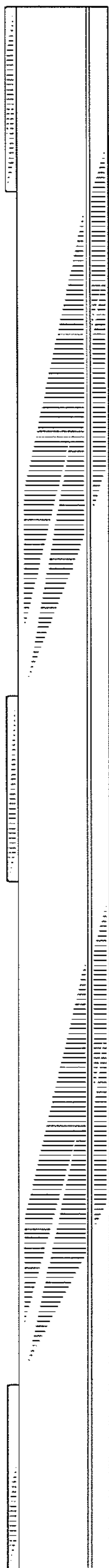


FIG. 23

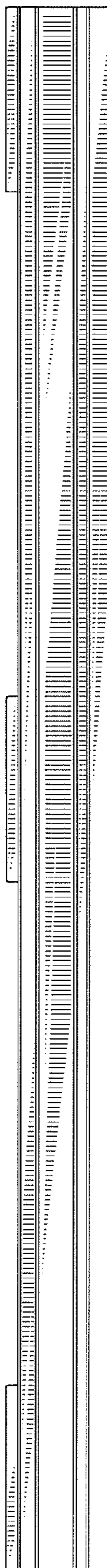
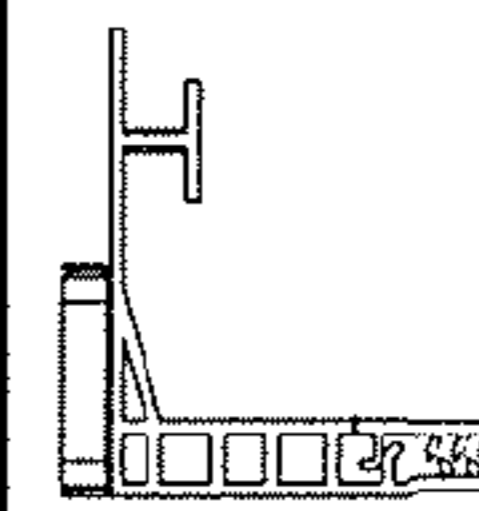


FIG. 24



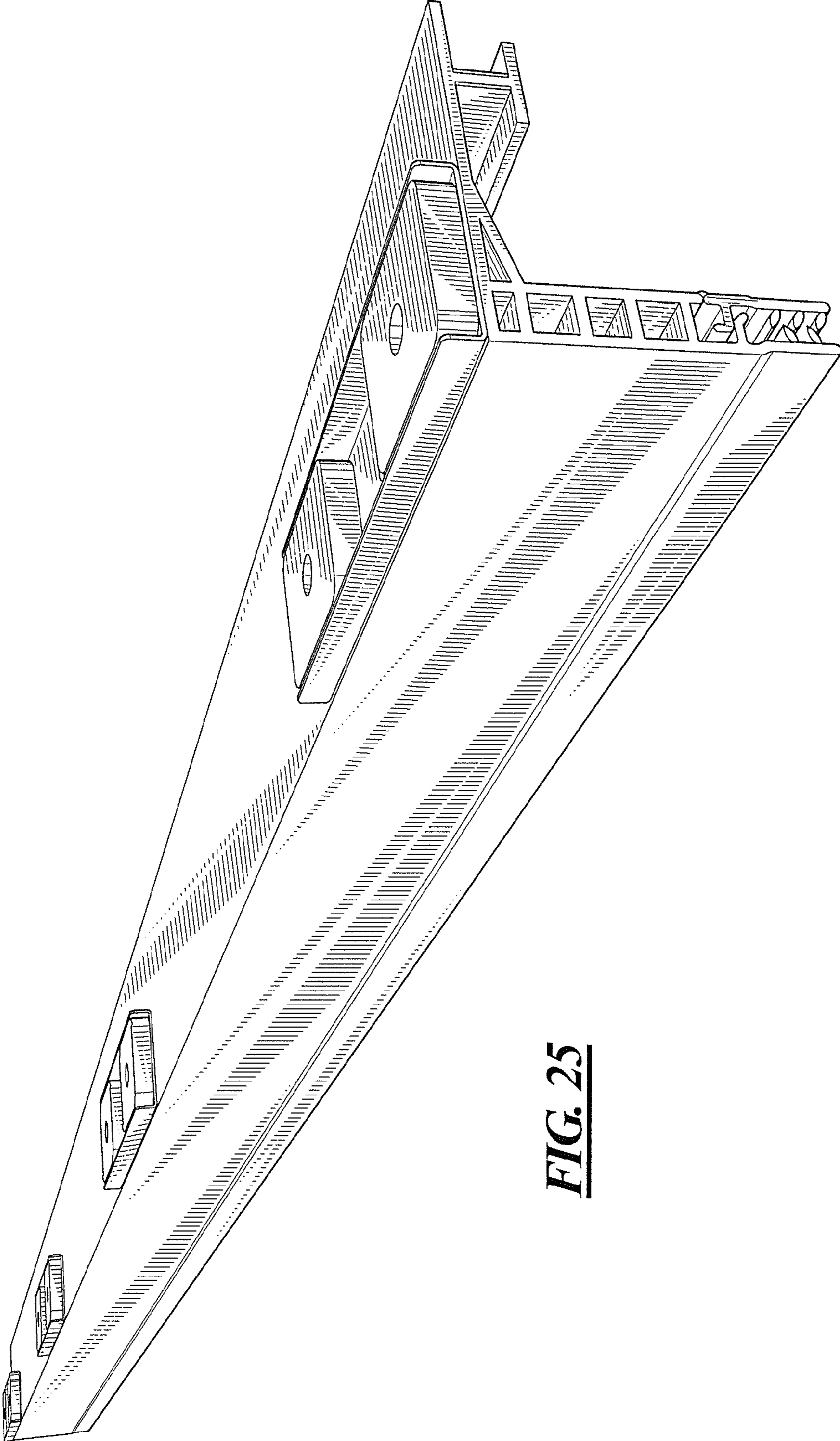


FIG. 25

FIG. 26

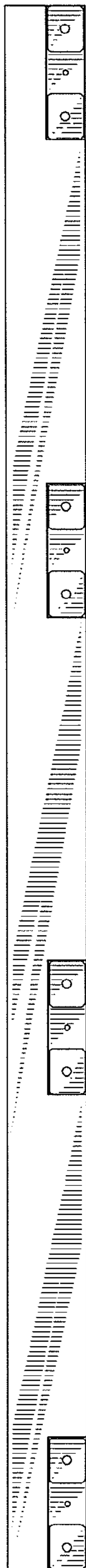


FIG. 27

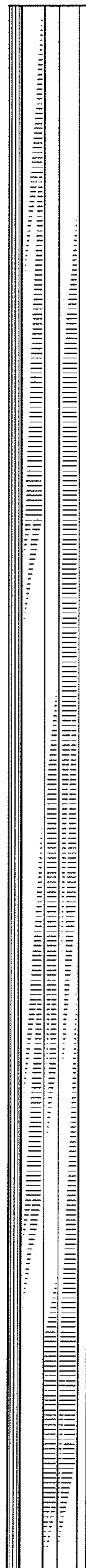


FIG. 28



FIG. 29

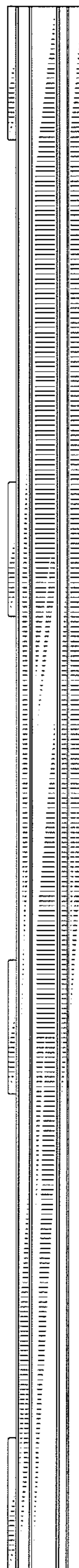
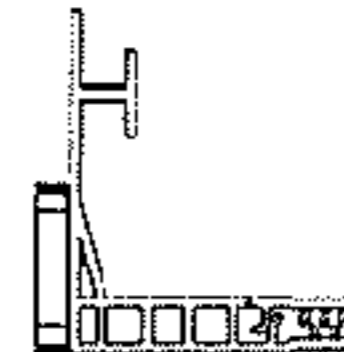


FIG. 30



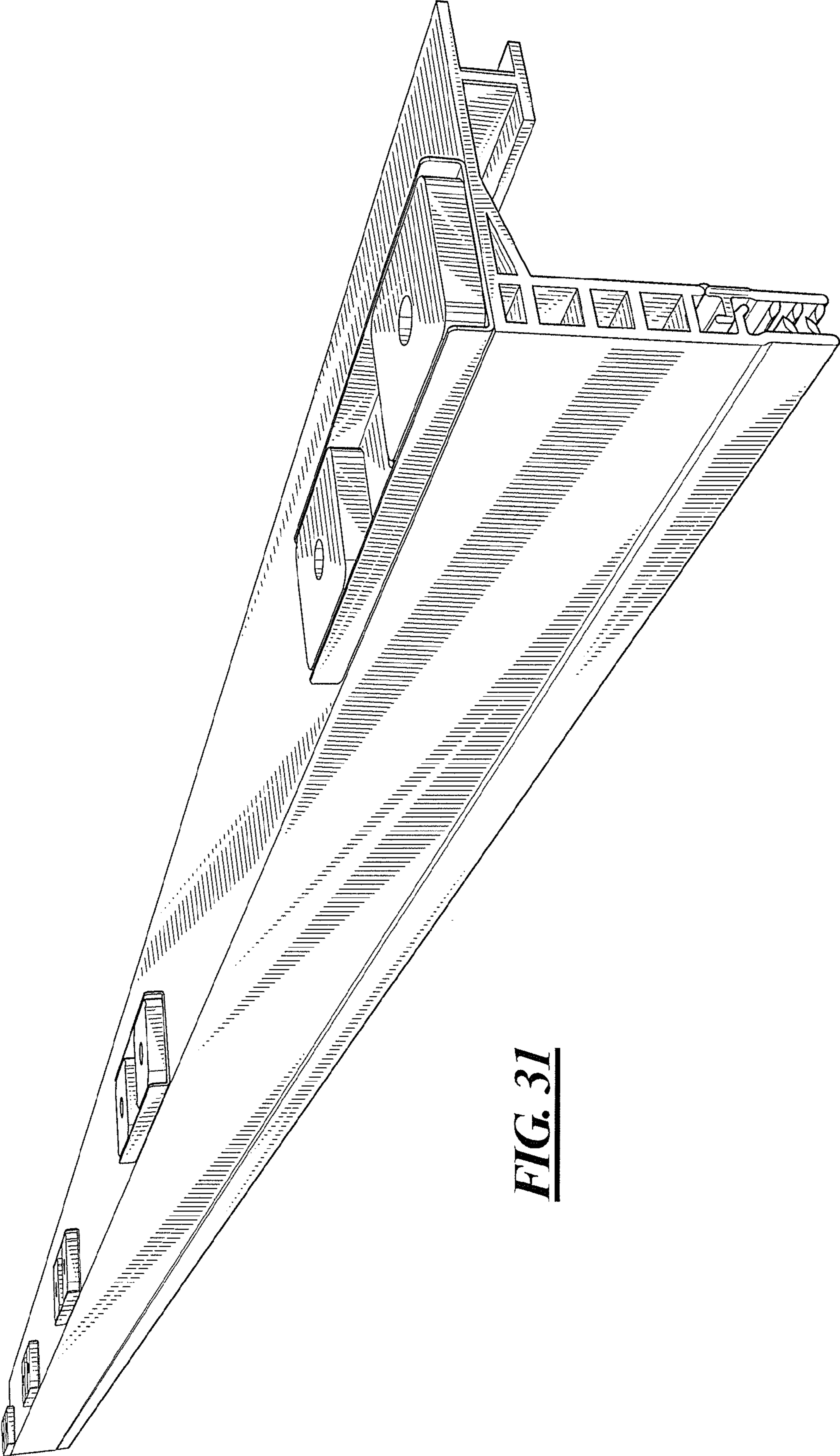


FIG. 31

FIG. 32

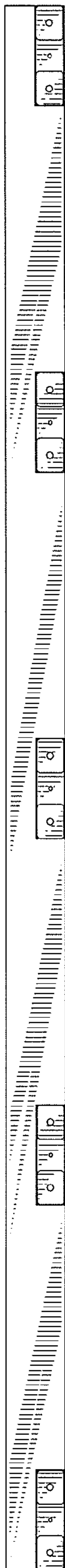


FIG. 33

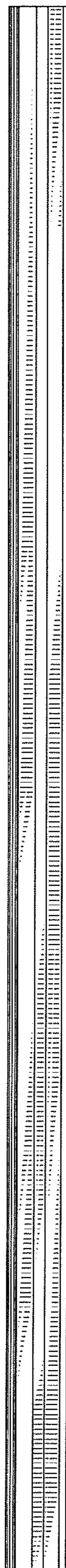


FIG. 34

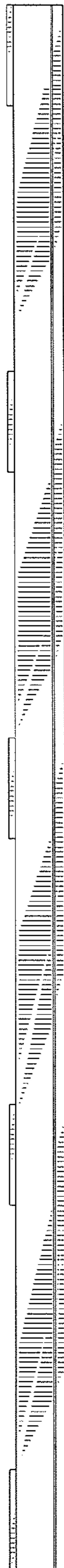


FIG. 35

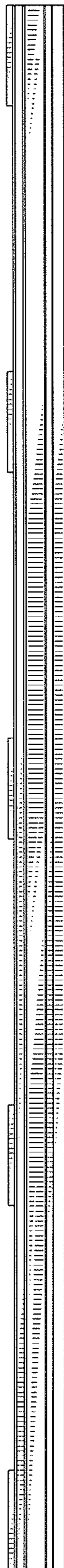


FIG. 36

