



US00D742969S

(12) **United States Design Patent**  
**White**

(10) **Patent No.:** **US D742,969 S**

(45) **Date of Patent:** **\*\* Nov. 10, 2015**

(54) **MAGNETICALLY MOUNTED DISPLAY  
HOLDER**

(71) Applicant: **Michael J. White**, Ripon, WI (US)

(72) Inventor: **Michael J. White**, Ripon, WI (US)

(73) Assignee: **K-International, Inc.**, Waukegan, IL  
(US)

(\*\*) Term: **14 Years**

(21) Appl. No.: **29/484,732**

(22) Filed: **Mar. 12, 2014**

(51) **LOC (10) Cl.** ..... **20-03**

(52) **U.S. Cl.**  
USPC ..... **D20/43; D8/380**

(58) **Field of Classification Search**

USPC ..... D8/380, 349, 354, 381, 373, 367, 355,  
D8/363, 382, 374, 339, 376, 398, 47, 19,  
D8/16; D20/40, 42, 43, 44, 99; 52/4, 260,  
52/649.1, 649.2, 296; D6/702, 550, 310;  
D23/259; 482/16; D12/160; D25/133;  
D14/238, 251, 447, 253; 224/250, 269,  
224/901.4, 930, 242, 246, 669; 24/16 R;  
248/59, 62, 58, 68.1, 295.11; D7/701;  
D3/218, 220; D52/677  
CPC ..... G09F 7/04; G09F 1/10; G09F 1/12;  
G09F 19/00; G09F 2007/1852; G09F 3/08;  
G09F 5/00; G09F 1/08

See application file for complete search history.

(56) **References Cited**

U.S. PATENT DOCUMENTS

|              |         |              |       |        |
|--------------|---------|--------------|-------|--------|
| D238,412 S * | 1/1976  | De Mars      | ..... | D20/44 |
| D322,634 S * | 12/1991 | Callas       | ..... | D20/44 |
| D372,939 S * | 8/1996  | Callas       | ..... | D20/43 |
| D381,695 S * | 7/1997  | Lewis        | ..... | D20/40 |
| D386,531 S * | 11/1997 | Callas       | ..... | D20/40 |
| D389,259 S * | 1/1998  | Tichy et al. | ..... | D20/43 |
| D389,526 S * | 1/1998  | Callas       | ..... | D20/43 |
| D423,592 S * | 4/2000  | Wamsley      | ..... | D20/42 |
| D496,248 S * | 9/2004  | Liebendorfer | ..... | D8/354 |
| D511,548 S * | 11/2005 | Wamsley      | ..... | D20/43 |
| D537,326 S * | 2/2007  | Wolff et al. | ..... | D8/381 |
| D669,135 S * | 10/2012 | Garfinkle    | ..... | D20/43 |
| D673,223 S * | 12/2012 | White        | ..... | D20/43 |

\* cited by examiner

*Primary Examiner* — Robert M Spear

*Assistant Examiner* — Eliza Bennett-Hattan

(74) *Attorney, Agent, or Firm* — Schiff Hardin LLP

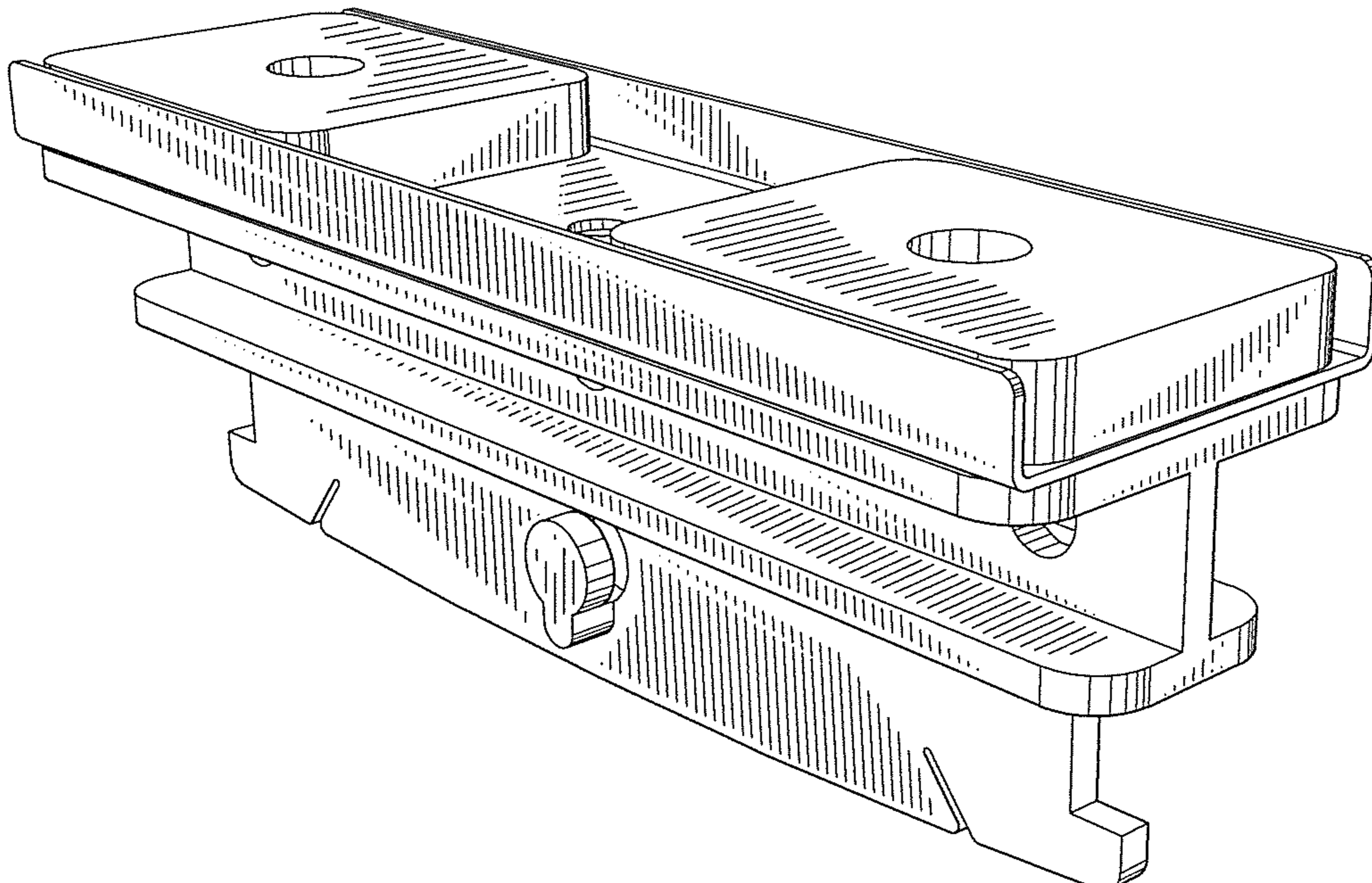
(57) **CLAIM**

The ornamental design for a magnetically mounted display holder, as shown and described.

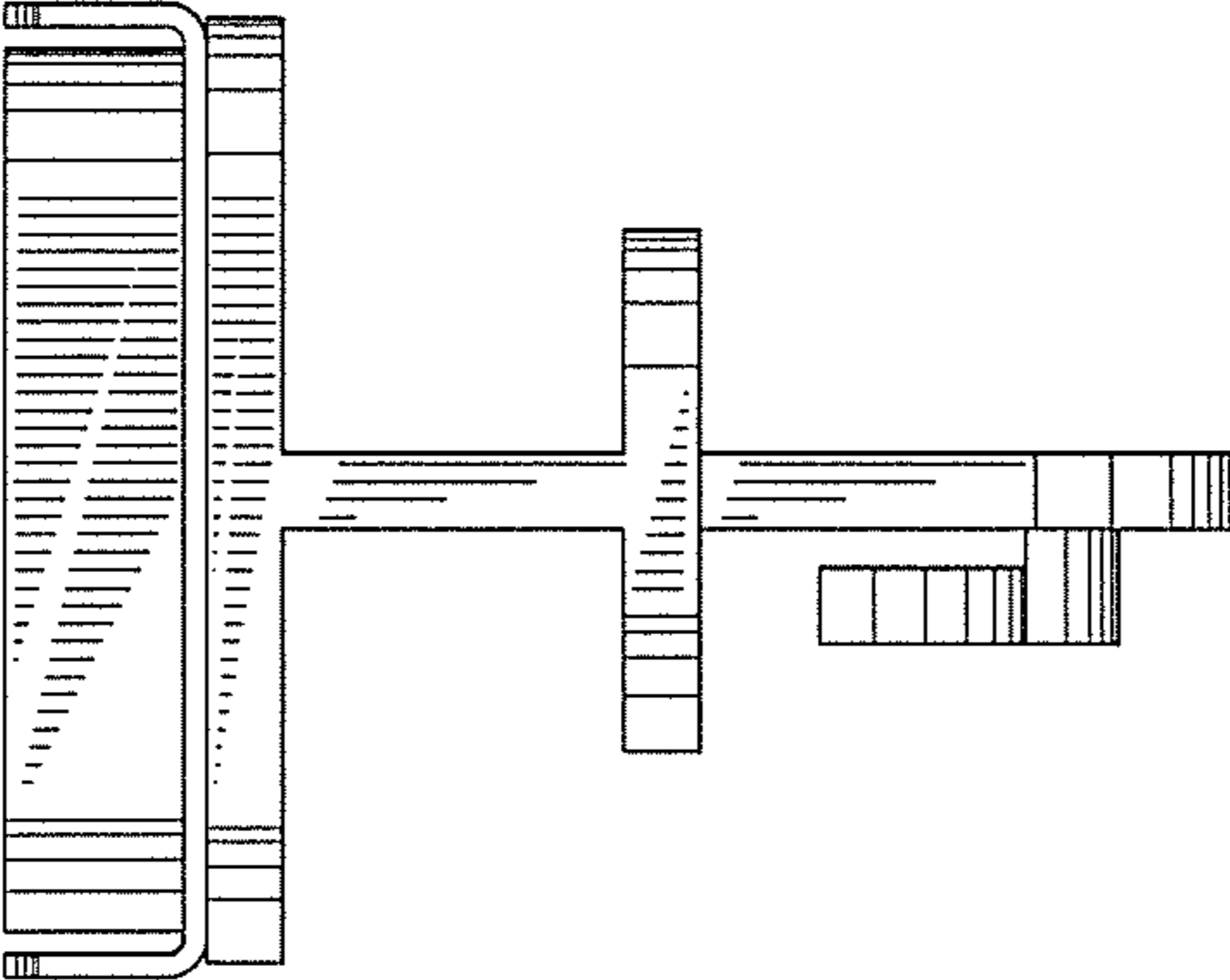
**DESCRIPTION**

FIG. 1 is a perspective view taken from the front, top, right side of the magnetically mounted display holder showing my new design;  
FIG. 2 is a right side elevational view thereof, the left side elevational view being a mirror image thereof but otherwise identical;  
FIG. 3 is a top plan view thereof;  
FIG. 4 is a bottom plan view thereof;  
FIG. 5 is a front elevational view thereof; and,  
FIG. 6 is a back elevational view thereof.

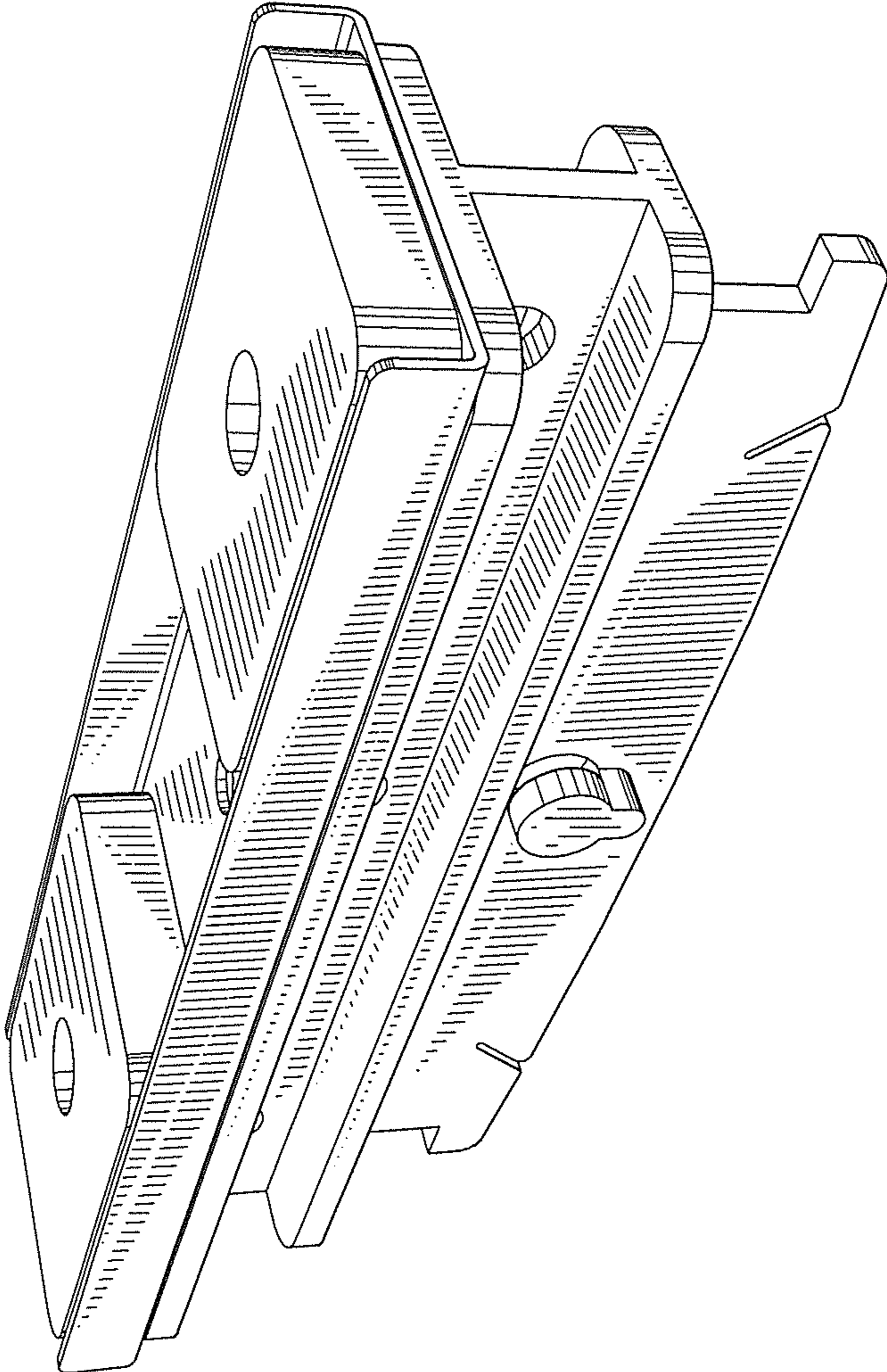
**1 Claim, 3 Drawing Sheets**

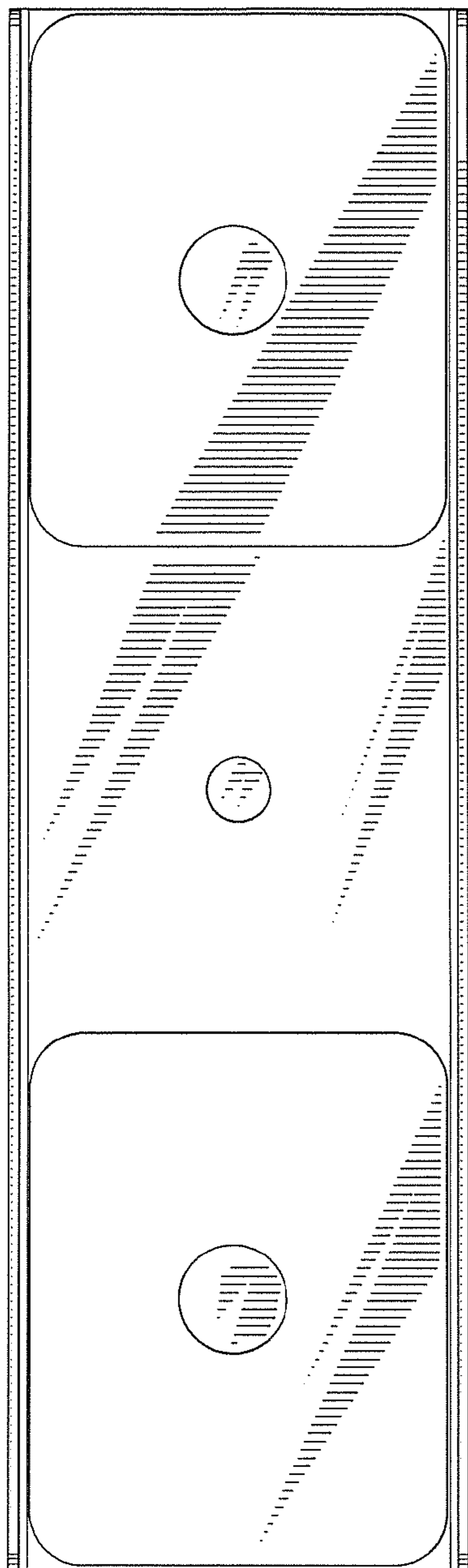


**FIG. 2**

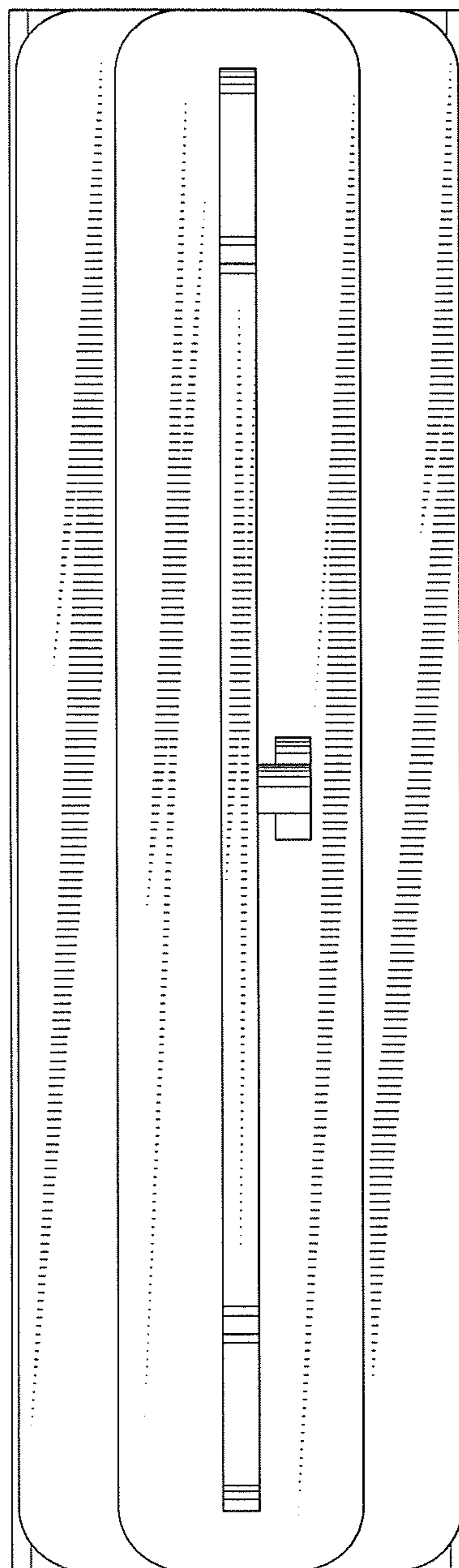


**FIG. 1**



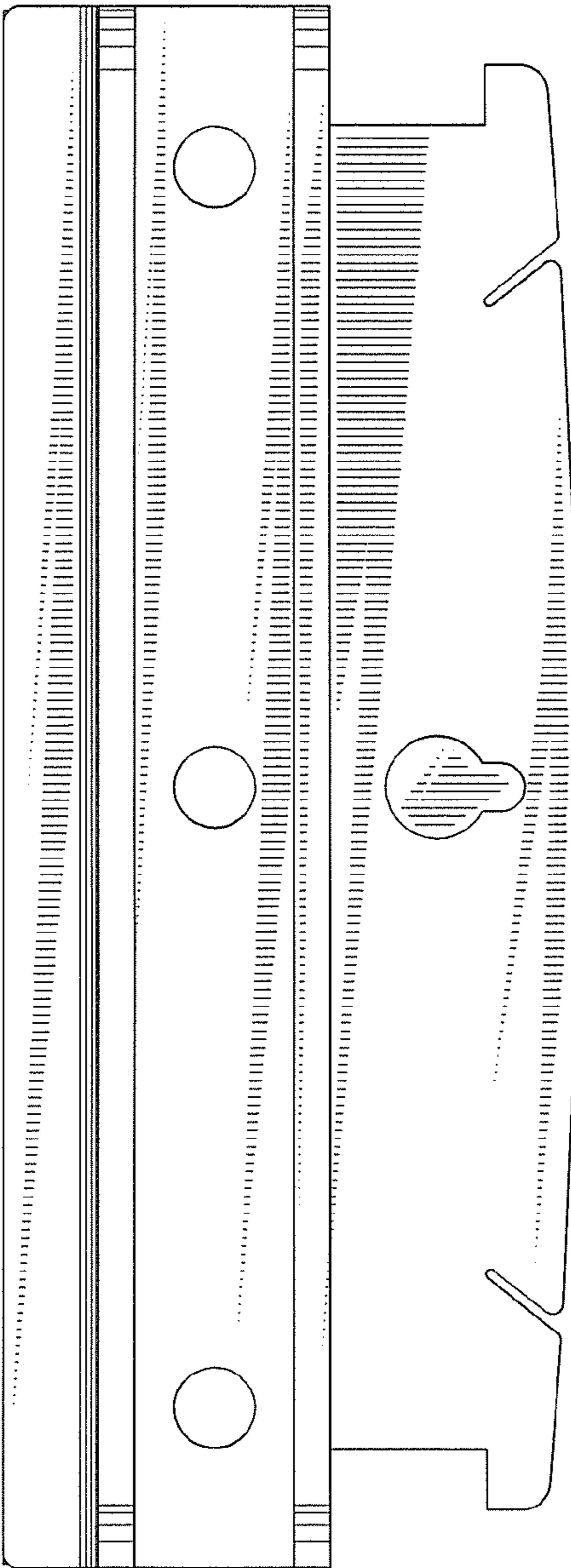


**FIG. 3**

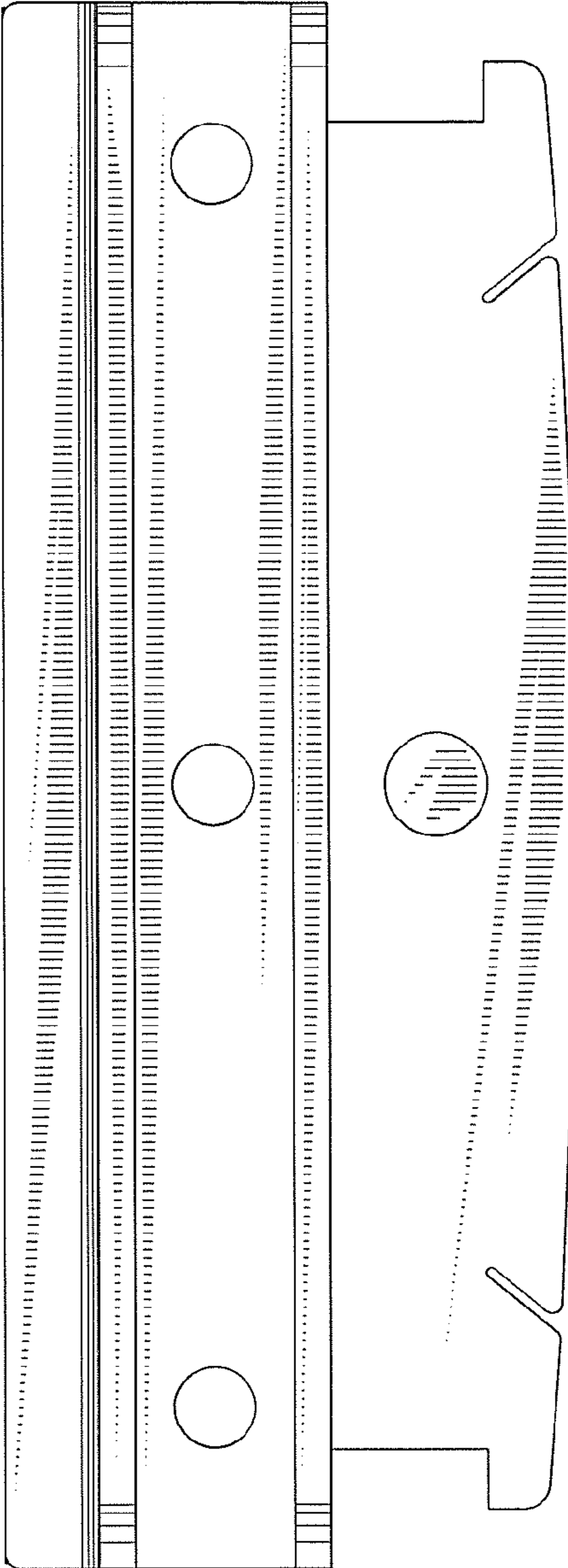


**FIG. 4**





**FIG. 5**



**FIG. 6**