



US00D742967S

(12) **United States Design Patent**
Lei et al.

(10) **Patent No.:** **US D742,967 S**

(45) **Date of Patent:** **** Nov. 10, 2015**

(54) **WRITING INSTRUMENT**

(71) Applicant: **Klio-Eterna Schreibgerate GmbH & Co KG**, Wolfach (DE)

(72) Inventors: **Xie Lei**, Shanghai (CN); **Cao Li**, Shanghai (CN)

(73) Assignee: **Klio-Eterna Schreibgerate GmbH & Co KG**, Wolfach (DE)

(**) Term: **14 Years**

(21) Appl. No.: **29/509,032**

(22) Filed: **Nov. 13, 2014**

Related U.S. Application Data

(62) Division of application No. 29/466,192, filed on Sep. 5, 2013.

(30) **Foreign Application Priority Data**

Mar. 5, 2013 (WO) DM/080 283

(51) **LOC (10) Cl.** **19-06**

(52) **U.S. Cl.**
USPC **D19/173; D19/933**

(58) **Field of Classification Search**
USPC D14/411; D19/115-189, 192-204
CPC B43K 7/00; B43K 7/10; B43K 24/00
See application file for complete search history.

(56) **References Cited**

U.S. PATENT DOCUMENTS

3,288,114 A	11/1966	Ritter	
3,362,778 A *	1/1968	Pavese	401/107
3,602,600 A *	8/1971	Kanski	401/115
4,017,195 A	4/1977	Jahraus	
D252,028 S	6/1979	Carre	

D312,391 S	11/1990	Vitrac	
D319,845 S *	9/1991	Grotsch et al.	D19/175
D335,144 S	4/1993	Katami et al.	
5,688,061 A	11/1997	Aoki	
D436,623 S	1/2001	Schmidt et al.	
D456,845 S *	5/2002	Rommel	D19/175
D456,846 S	5/2002	Pellisa Beneyto	
D476,684 S	7/2003	Rommel	
D485,300 S	1/2004	Schung	
D486,858 S	2/2004	Schung	
D508,951 S *	8/2005	Cetera	D19/174
D523,081 S	6/2006	Pellisa Beneyto	
D532,821 S	11/2006	Banderet	
D536,733 S *	2/2007	Cetera	D19/174
D542,349 S	5/2007	Anand	
D546,883 S	7/2007	Briggl	
D564,026 S	3/2008	Bhavnani	
D581,462 S	11/2008	Katami	
D589,559 S	3/2009	Slemp	
D590,882 S	4/2009	Katami	
D590,883 S	4/2009	Dong	
D591,793 S *	5/2009	Booker	D19/175
D593,604 S	6/2009	Yu et al.	

(Continued)

Primary Examiner — Elizabeth Albert

(74) *Attorney, Agent, or Firm* — Volpe and Koenig, P.C.

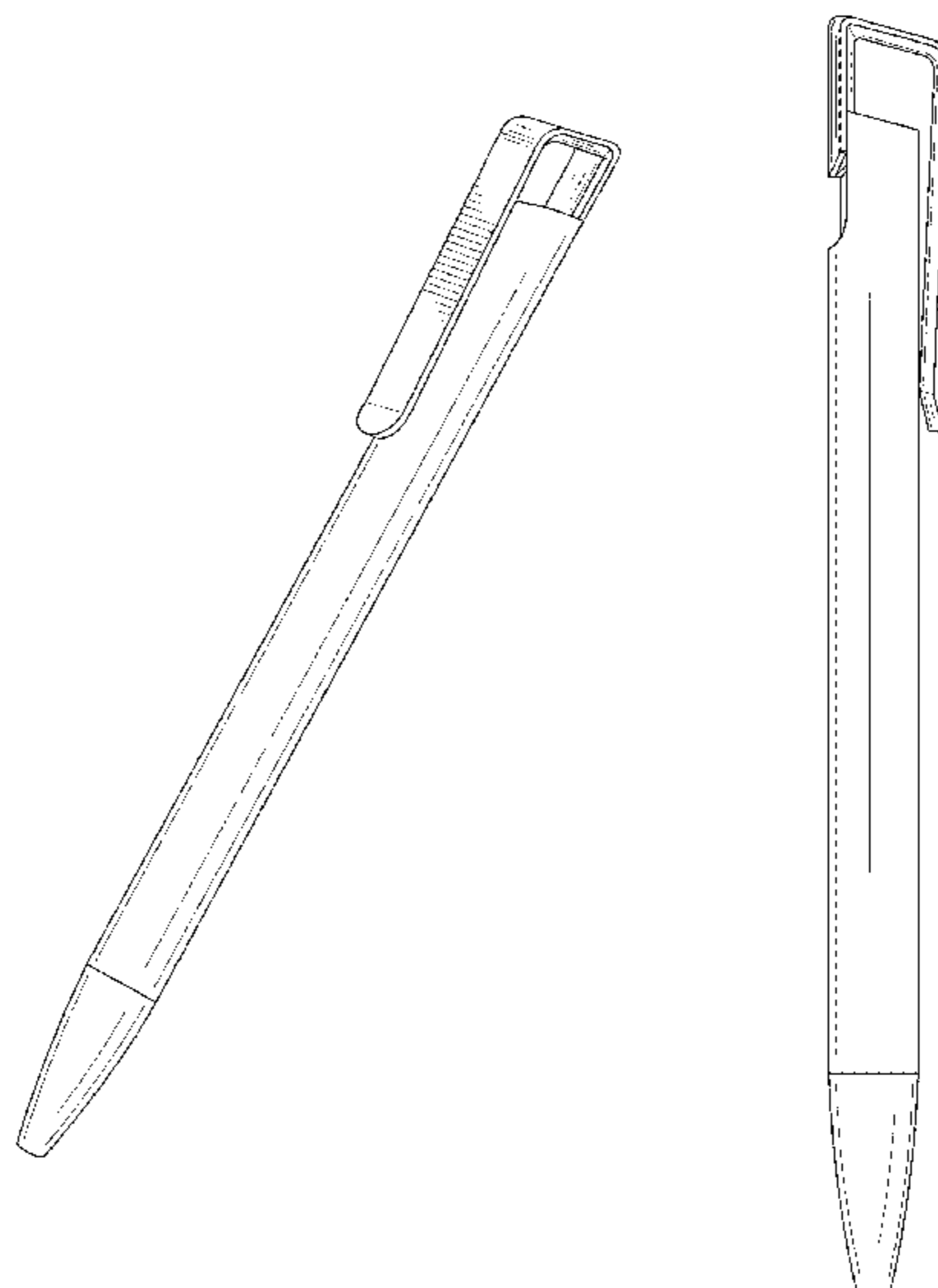
(57) **CLAIM**

The ornamental design for a writing instrument, as shown and described.

DESCRIPTION

FIG. 1 is a front, right perspective view of a writing instrument in accordance with my design;
FIG. 2 is a front elevational view thereof;
FIG. 3 is a rear elevational view thereof;
FIG. 4 is a right side elevational view thereof;
FIG. 5 is a left side elevational view thereof;
FIG. 6 is a top plan view thereof; and,
FIG. 7 is a bottom view thereof.

1 Claim, 6 Drawing Sheets



(56)

References Cited

U.S. PATENT DOCUMENTS

D598,955 S 8/2009 Briggl
D609,744 S 2/2010 Rathod
D610,197 S 2/2010 Losel
D610,615 S 2/2010 Li
D611,538 S 3/2010 Zhou
D615,590 S 5/2010 Li
D624,591 S 9/2010 Koehler
D644,691 S 9/2011 Pagani
D648,387 S 11/2011 Liang
D648,792 S 11/2011 Li

D651,246 S 12/2011 Beyer
8,096,725 B2 1/2012 Bedhome et al.
D658,715 S 5/2012 Greenberg
D664,196 S 7/2012 Buchler
D667,879 S 9/2012 Li
D672,810 S 12/2012 Mao
D688,305 S 8/2013 Mao
D694,324 S 11/2013 Cambianica
D694,326 S 11/2013 Cambianica
D694,327 S 11/2013 Briggl
D697,971 S 1/2014 Jin
2010/0028068 A1 2/2010 Razalan

* cited by examiner

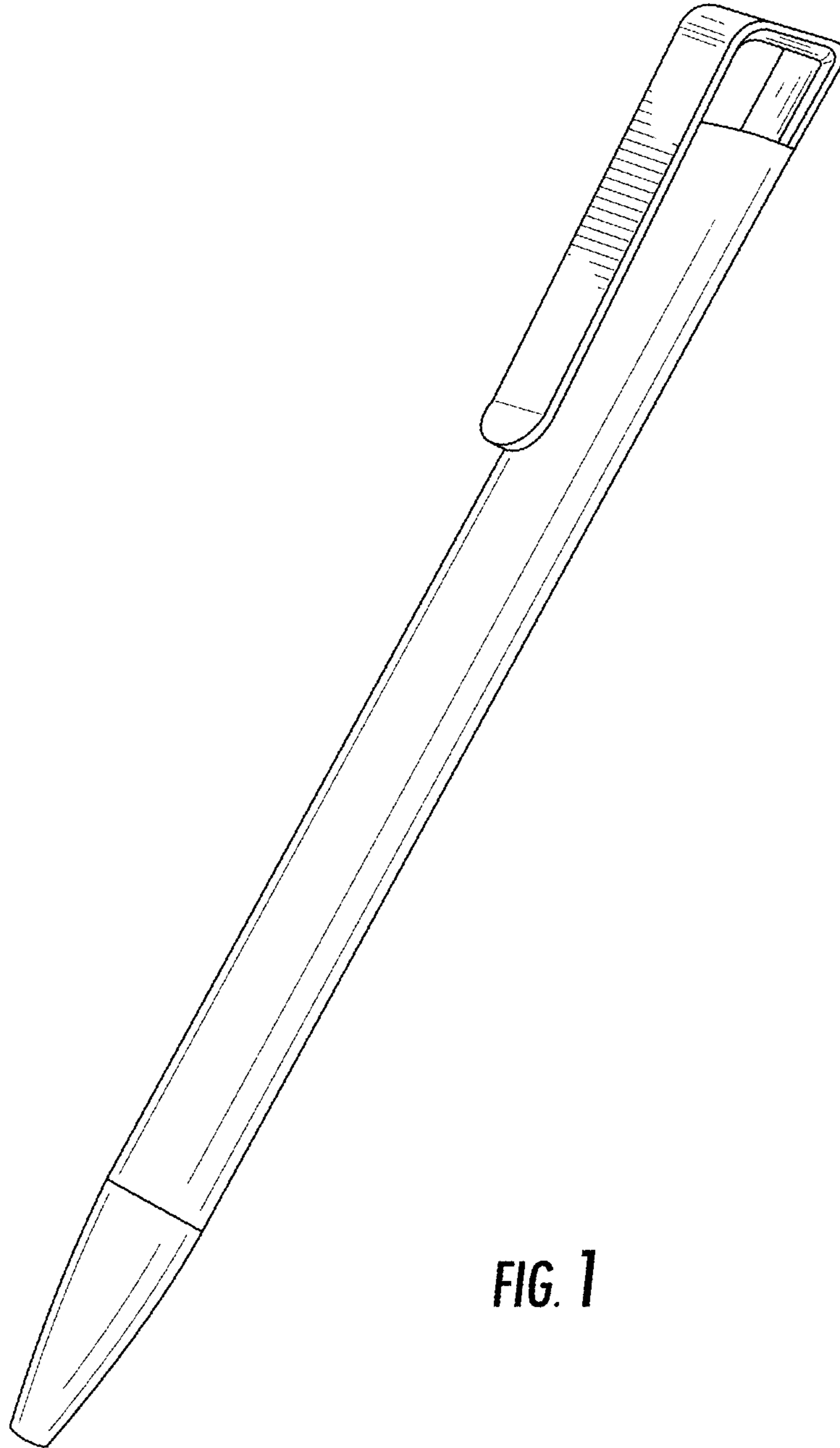


FIG. 1

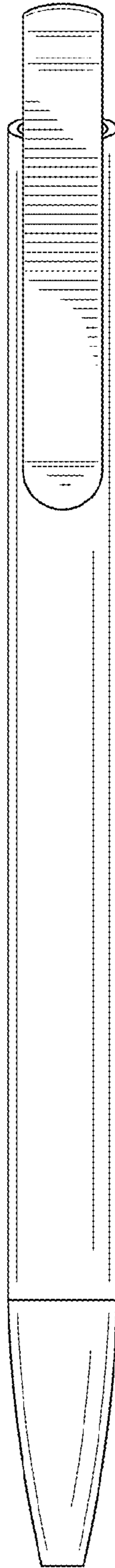


FIG. 2

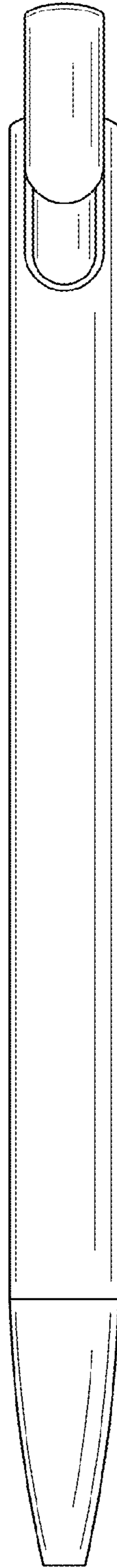


FIG. 3

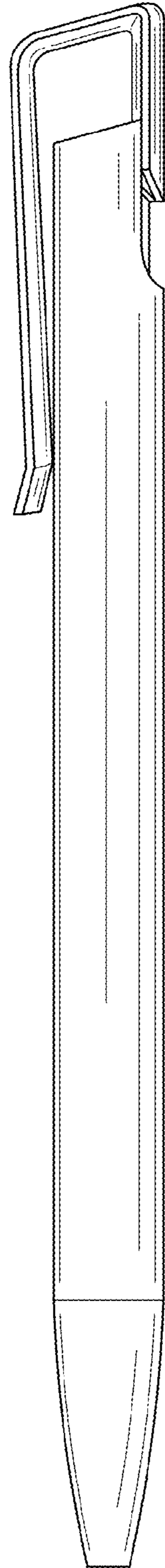


FIG. 4

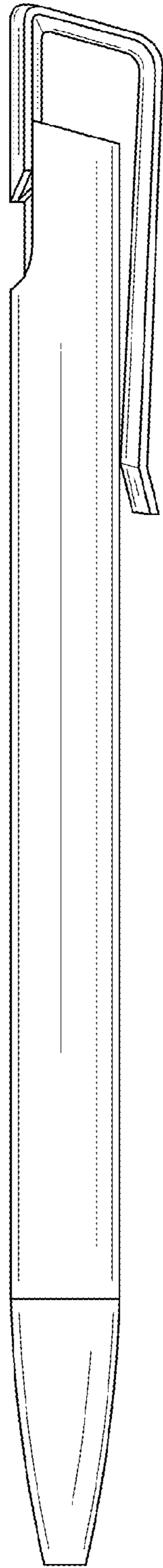


FIG. 5

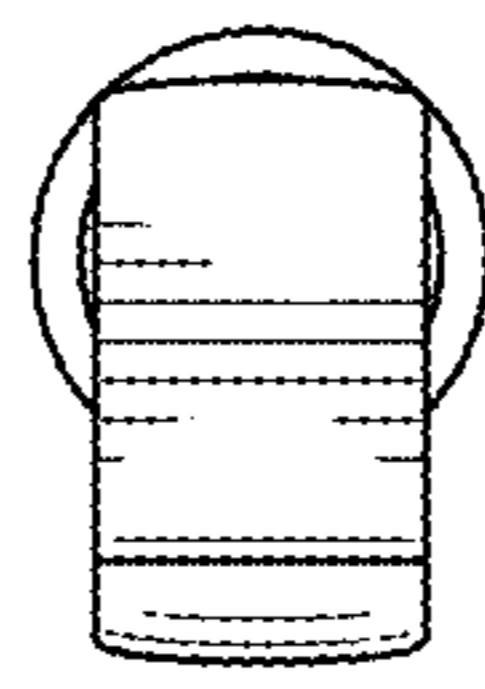


FIG. 6

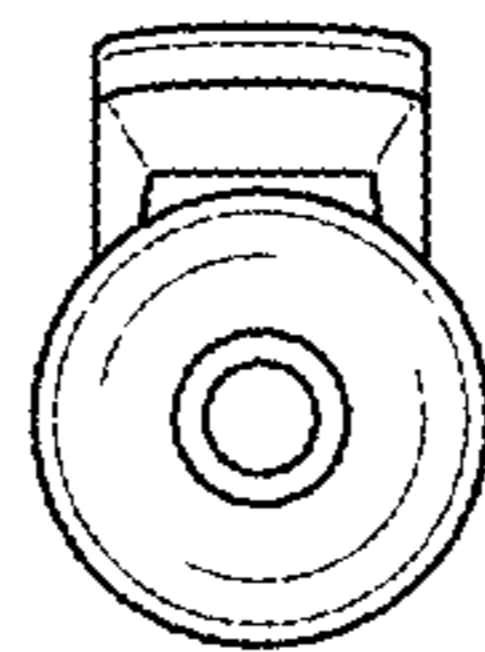


FIG. 7