



US00D742961S

(12) **United States Design Patent**  
**Backs et al.**

(10) **Patent No.:** **US D742,961 S**  
(45) **Date of Patent:** **\*\* Nov. 10, 2015**

(54) **PRINTER**

(56) **References Cited**

(71) Applicant: **Samsung Electronics Co., Ltd.**,  
Suwon-si, Gyeonggi-do (KR)  
(72) Inventors: **Jochen Backs**, San Francisco, CA (US);  
**Kwang-Hyuck So**, Seoul (KR);  
**Won-Suk Chung**, Seoul (KR)

U.S. PATENT DOCUMENTS

D217,741 S *	6/1970	Simonelli .....	D16/232
D322,264 S *	12/1991	Jewison .....	D16/232
D396,871 S *	8/1998	McNulty .....	D16/232
D677,707 S *	3/2013	Shen .....	D16/232
D681,107 S *	4/2013	Larson et al. ....	D18/50
D717,289 S *	11/2014	Takabatake .....	D14/423

\* cited by examiner

(73) Assignee: **SAMSUNG ELECTRONICS CO., LTD.** (KR)

*Primary Examiner* — Cathy Anne MacCormac  
(74) *Attorney, Agent, or Firm* — Cantor Colburn LLP

(\*\*) Term: **14 Years**

(57) **CLAIM**  
The ornamental design for a printer, as shown and described.

(21) Appl. No.: **29/483,163**

**DESCRIPTION**

(22) Filed: **Feb. 26, 2014**

(30) **Foreign Application Priority Data**

Sep. 17, 2013 (KR) ..... 30-2013-0048025

(51) **LOC (10) Cl.** ..... **14-02**

(52) **U.S. Cl.**  
USPC ..... **D18/50**

(58) **Field of Classification Search**  
USPC ..... D18/50, 54, 54.1, 55; D14/420–426,  
D14/462–470; 400/613, 613.1–613.4,  
400/690.1–690.4, 691–694; D16/223, 232,  
D16/235; D24/158

FIG. 1 is a front perspective view of a printer showing our new design;  
FIG. 2 is a front view thereof;  
FIG. 3 is a rear view thereof;  
FIG. 4 is a left side view thereof;  
FIG. 5 is a right side view thereof;  
FIG. 6 is a top view thereof;  
FIG. 7 is a bottom view thereof;  
FIG. 8 is another front perspective view thereof, showing the printer in an environment with an imaging device;  
FIG. 9 is another front view thereof, showing the printer in alternate position; and,  
FIG. 10 is another top view thereof, showing the printer in still another alternate position.  
The broken lines illustrating portions of the printer depict environmental subject matter and form no part of the claimed design.

See application file for complete search history.

**1 Claim, 9 Drawing Sheets**

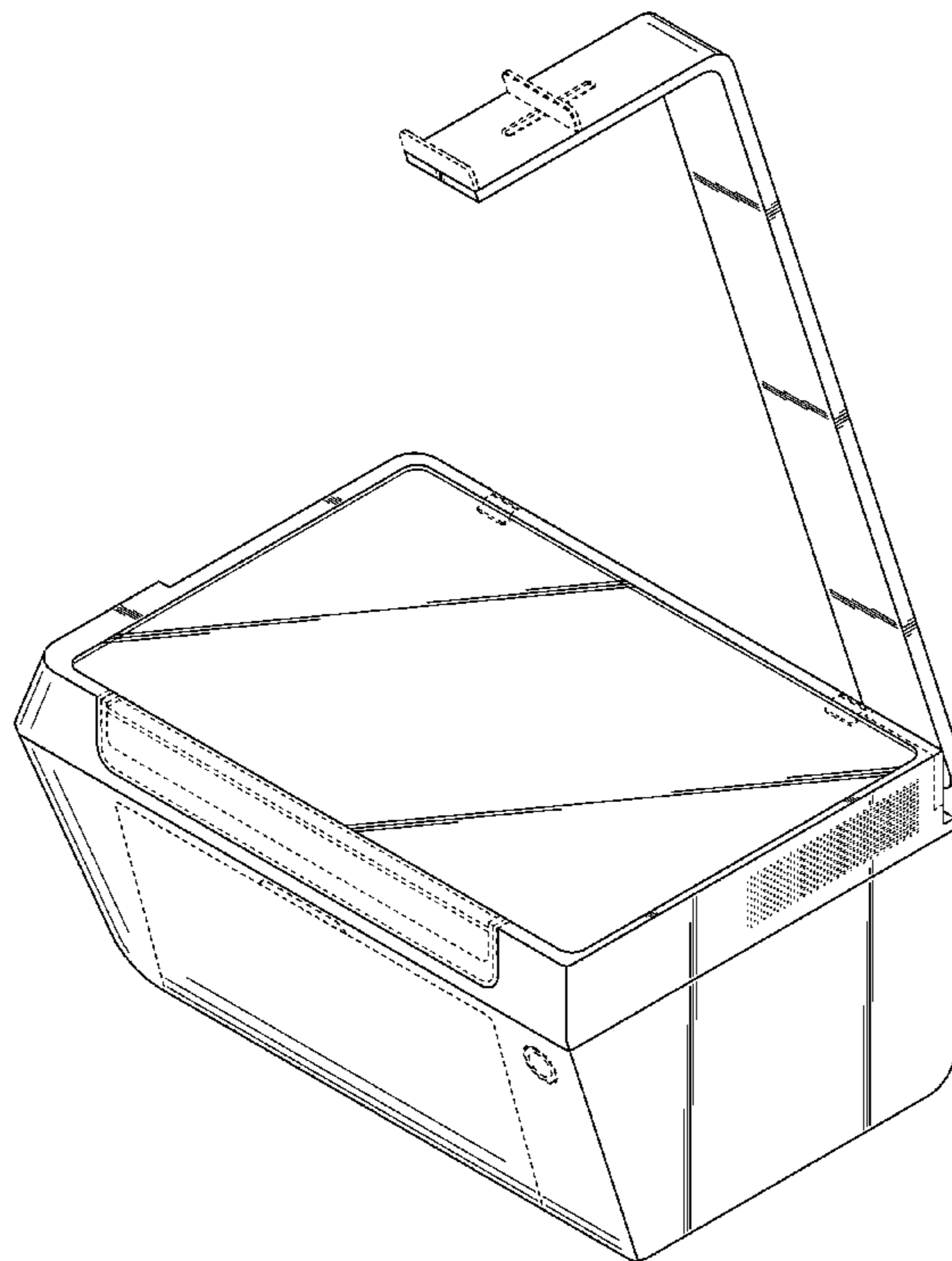


FIG.1

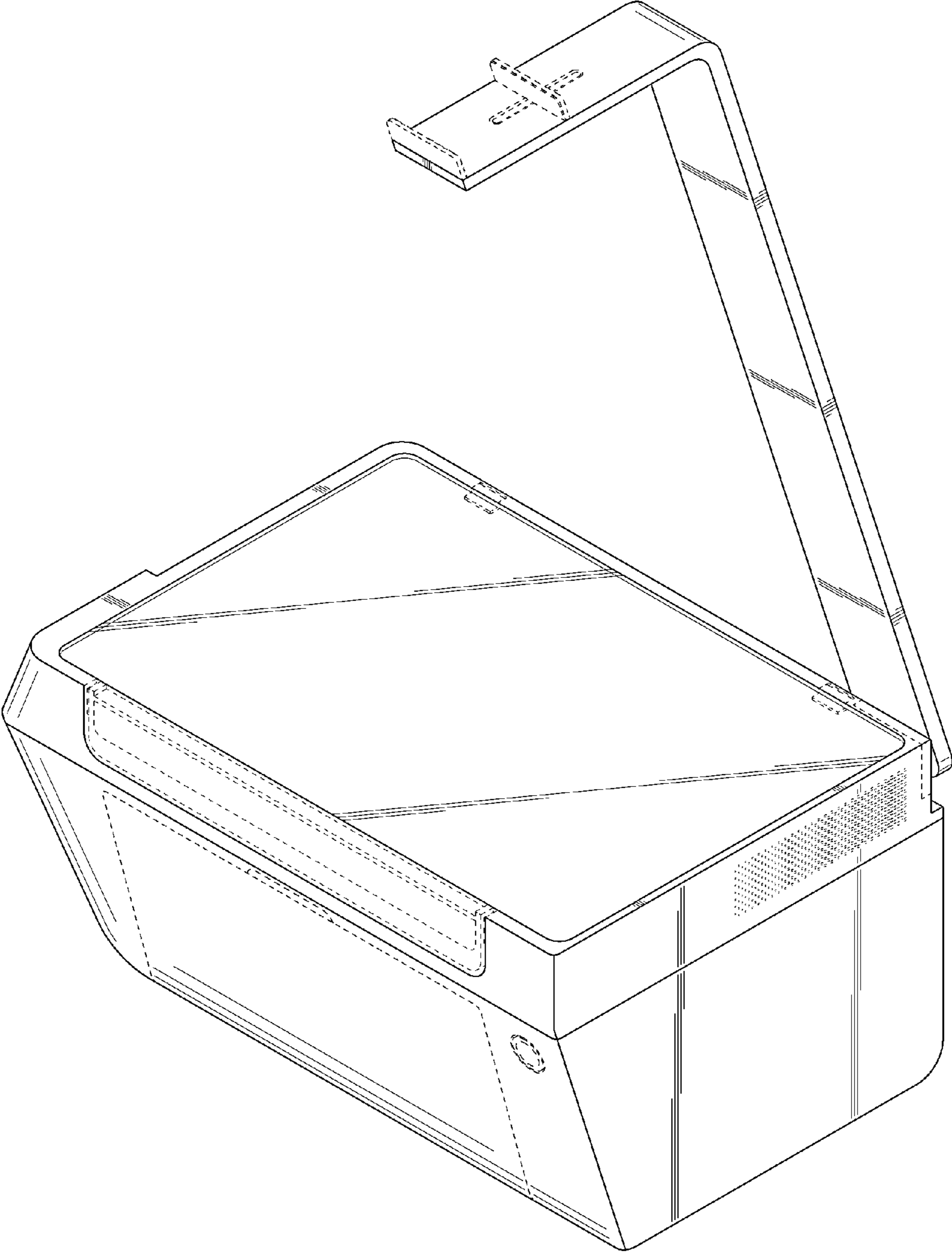


FIG.2

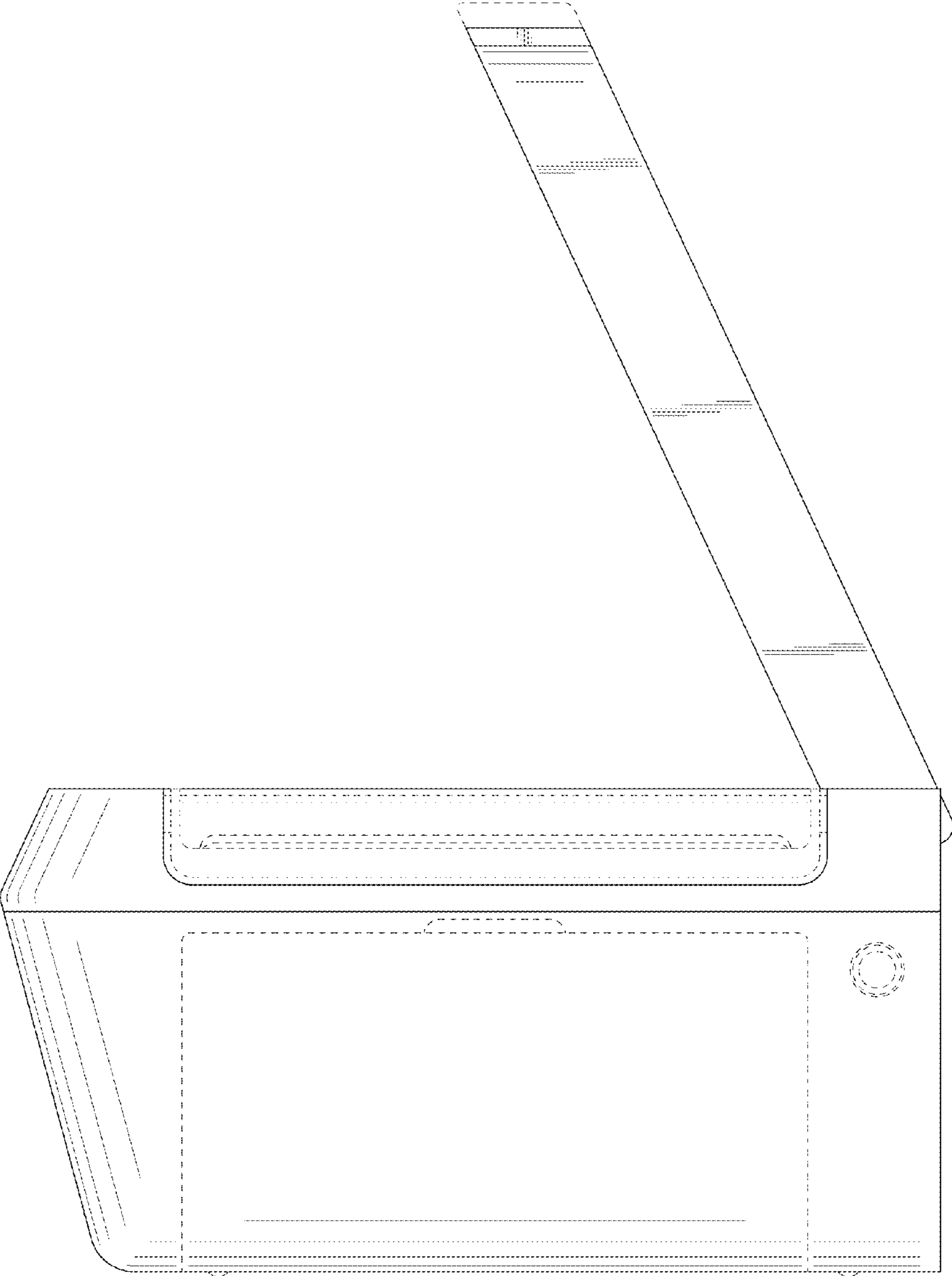


FIG.3

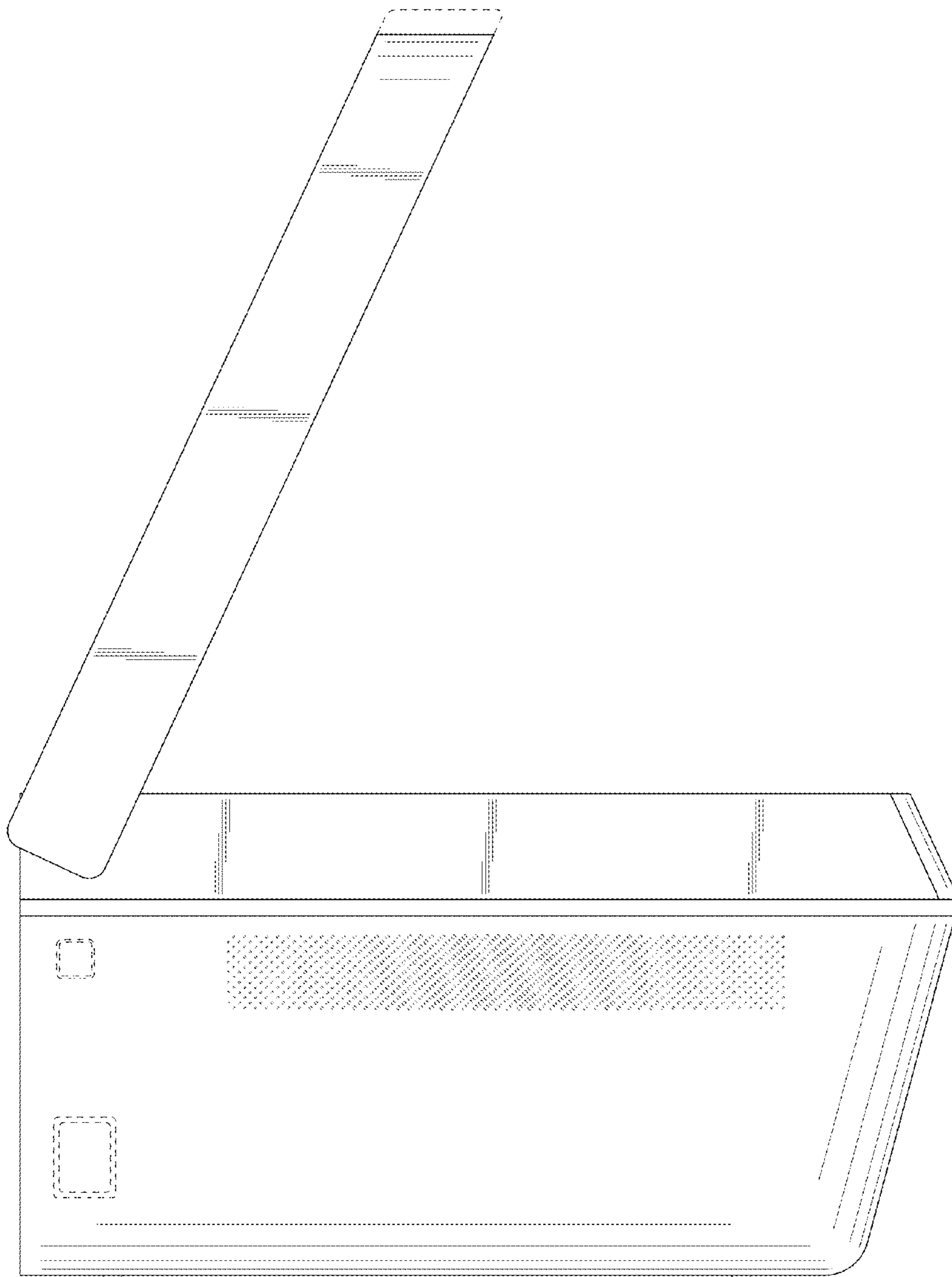


FIG.4

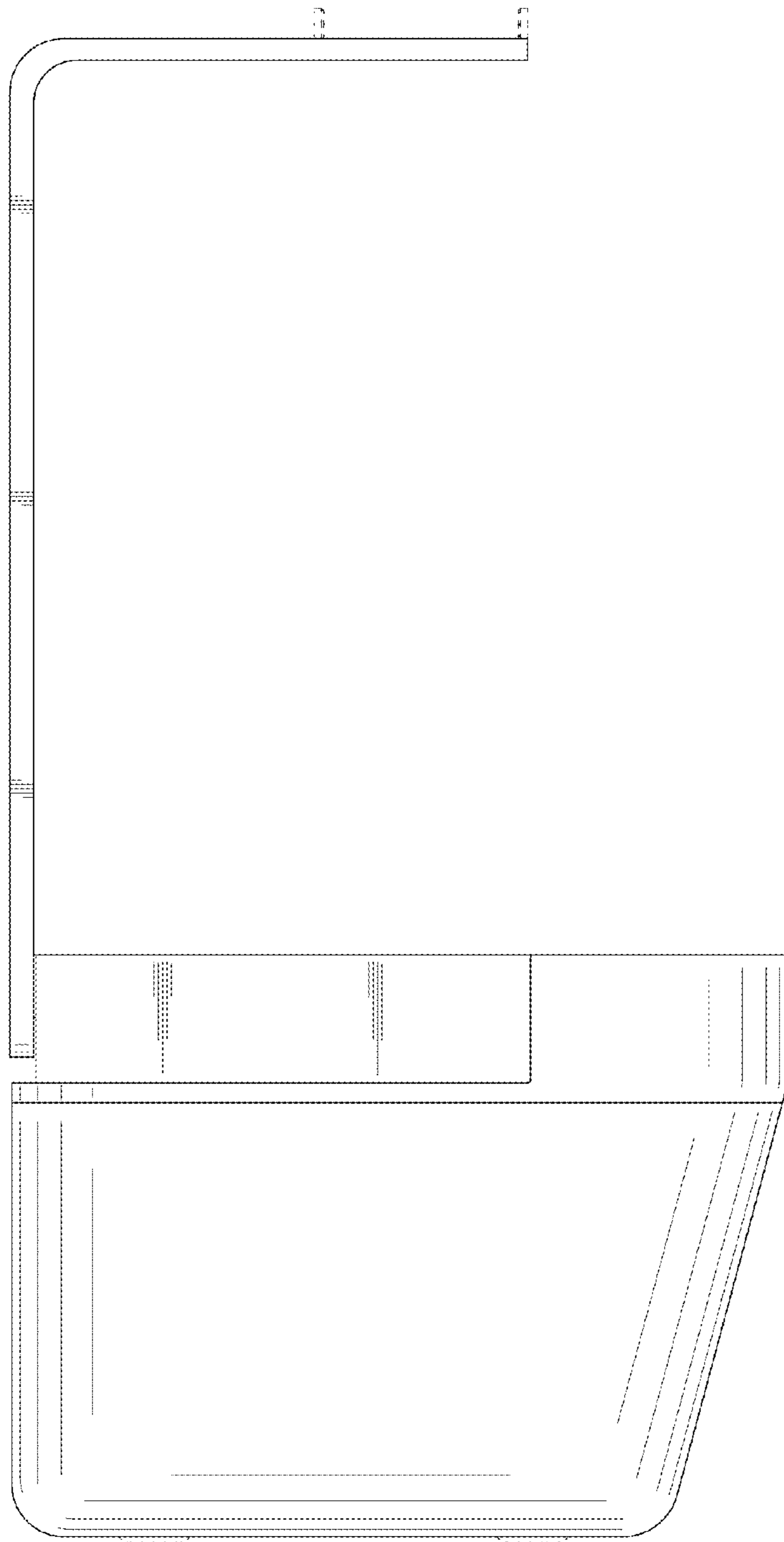


FIG.5

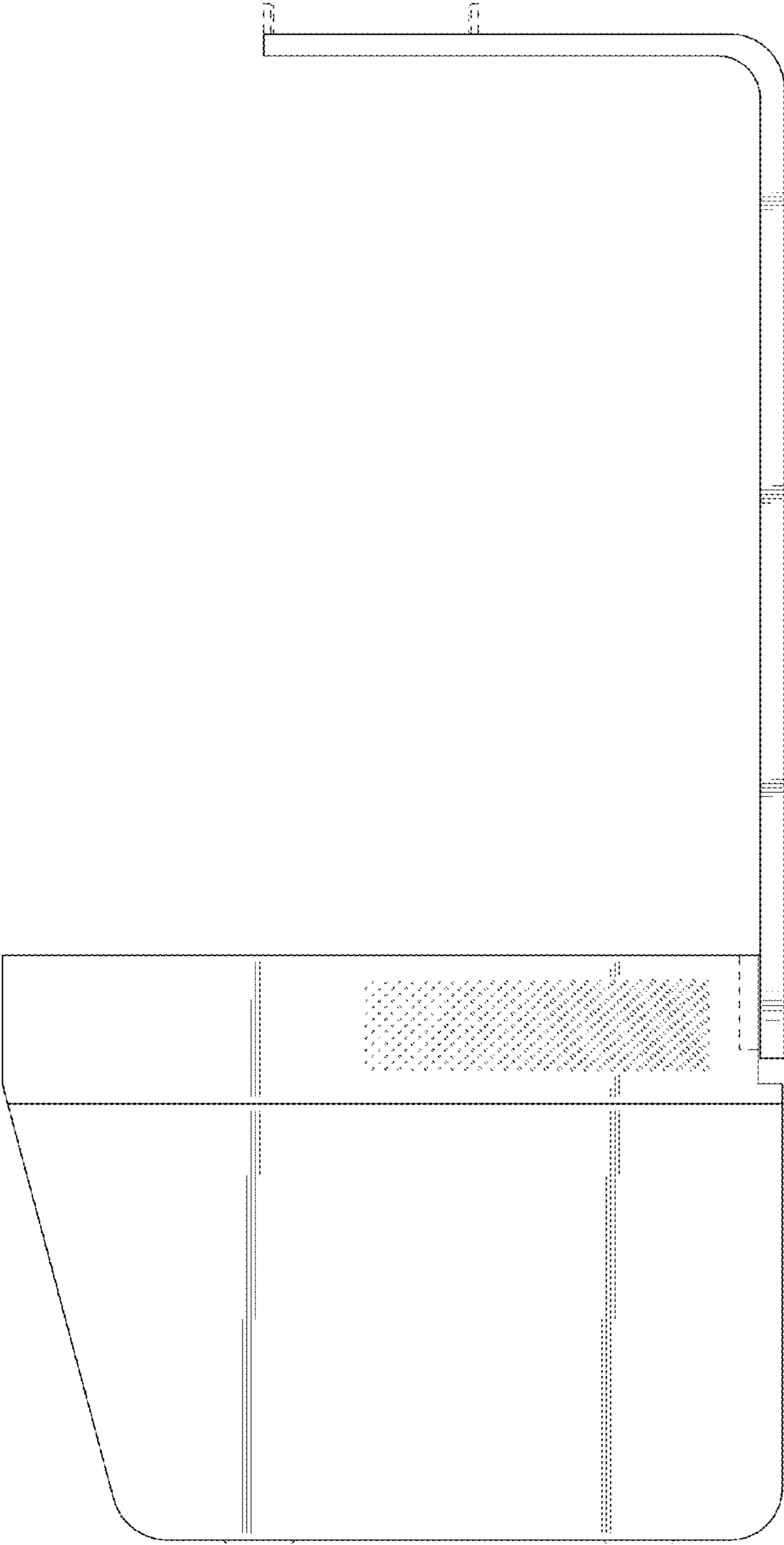


FIG.6

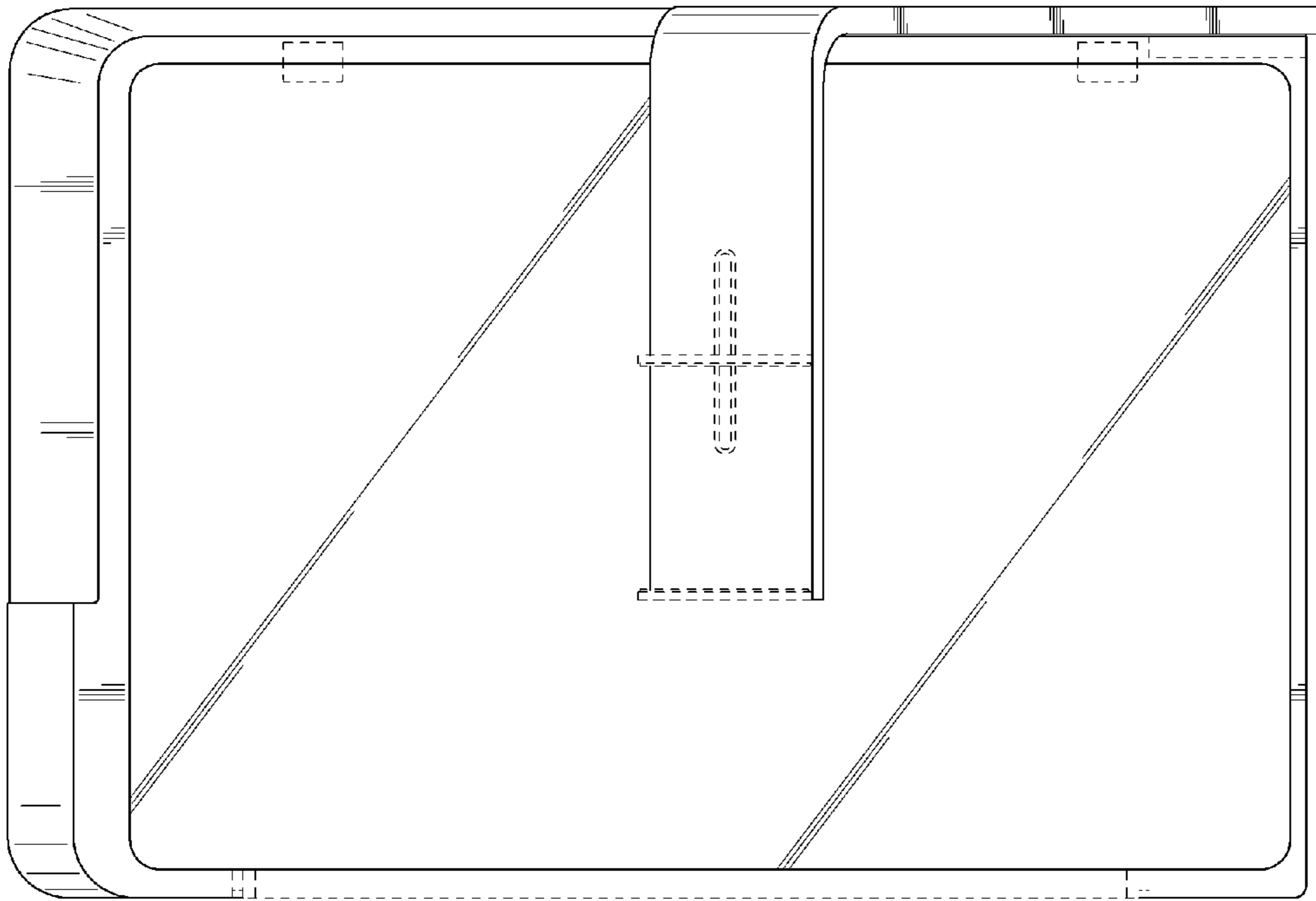


FIG.7

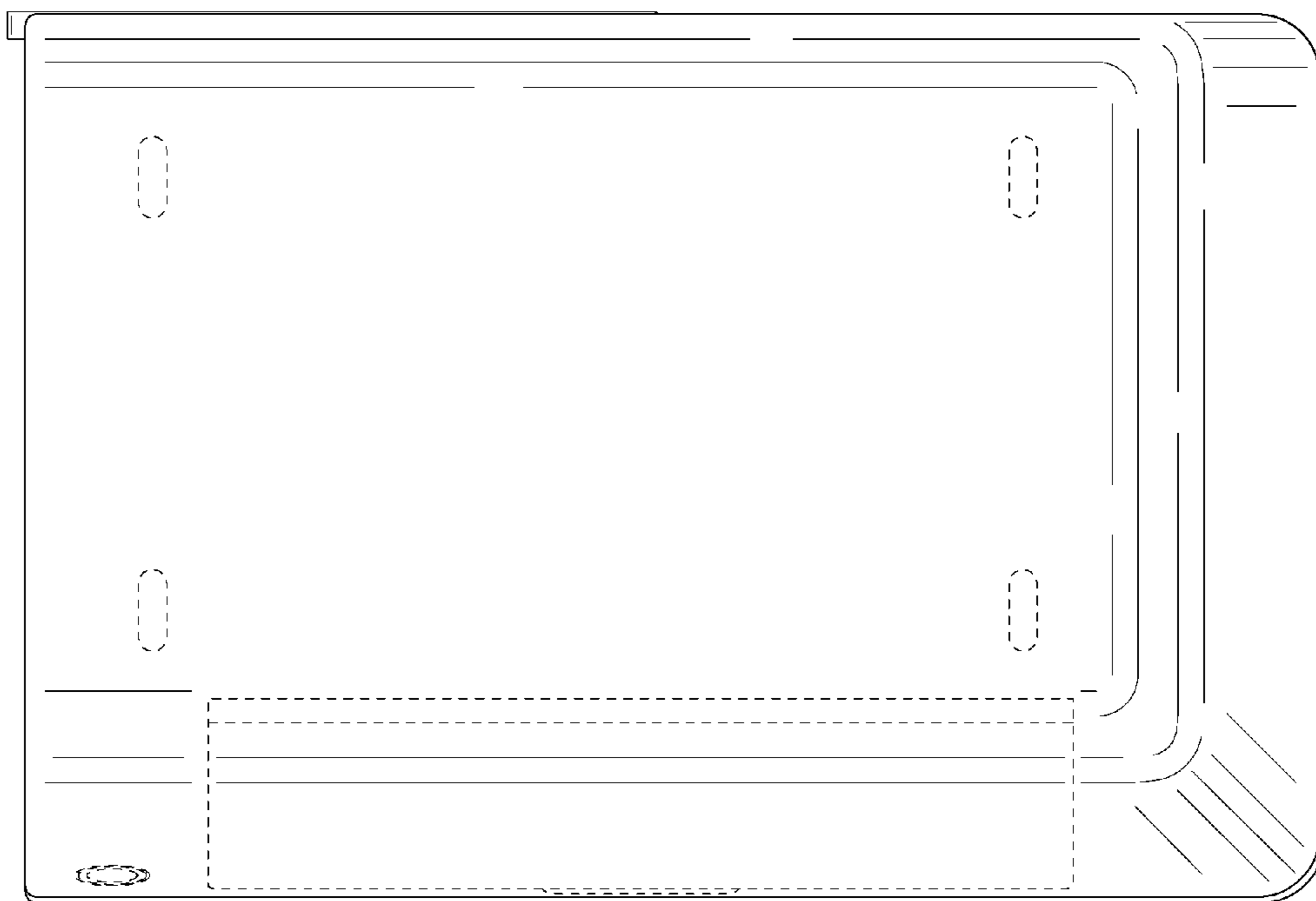




FIG. 8

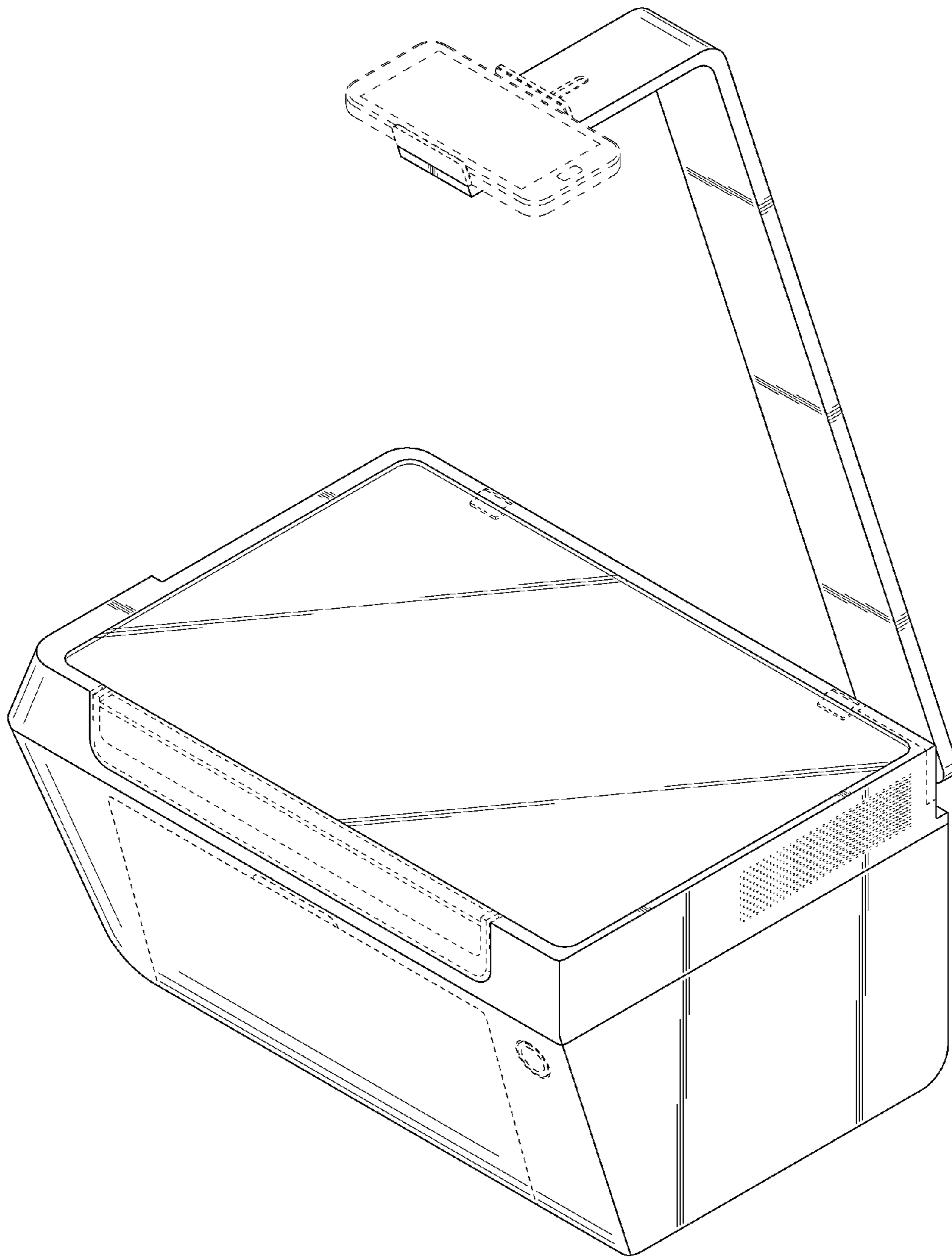




FIG.9

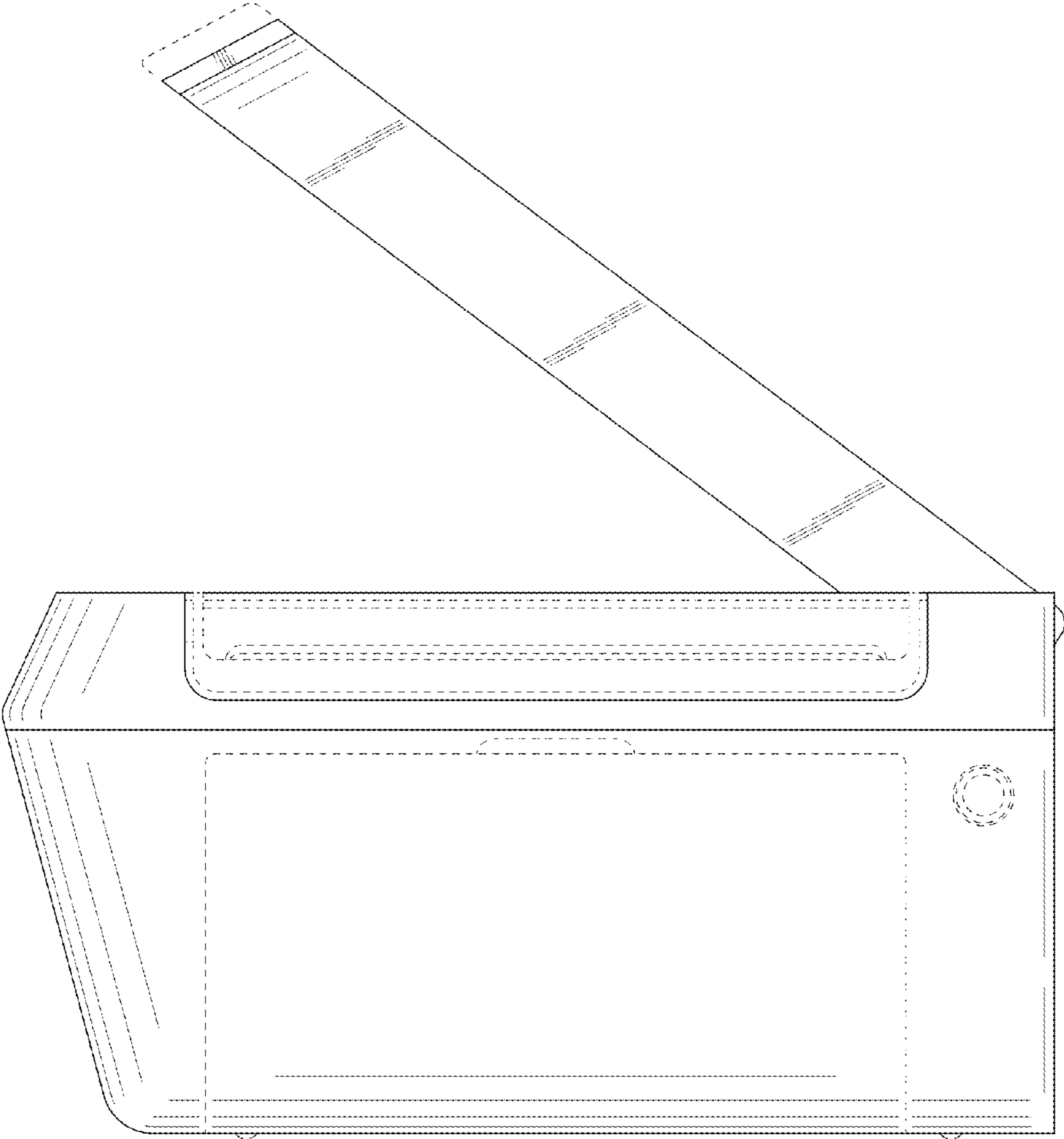


FIG.10

