



US00D742959S

(12) **United States Design Patent**  
**Hazama et al.**

(10) **Patent No.:** **US D742,959 S**

(45) **Date of Patent:** **\*\* Nov. 10, 2015**

(54) **TUNER FOR MUSICAL INSTRUMENTS**

(75) Inventors: **Toshiaki Hazama**, Shizuoka-ken (JP);  
**Tetsuya Uesugi**, Shizuoka-ken (JP)

(73) Assignee: **ROLAND CORPORATION**,  
Hamamatsu (JP)

(\*\*) Term: **14 Years**

(21) Appl. No.: **29/430,204**

(22) Filed: **Aug. 22, 2012**

(30) **Foreign Application Priority Data**

Feb. 29, 2012 (JP) ..... 2012-004415

(51) **LOC (10) Cl.** ..... **17-03**

(52) **U.S. Cl.**  
USPC ..... **D17/20**

(58) **Field of Classification Search**  
USPC ..... D17/20, 21, 99; 84/200–208, 312 R,  
84/317, 318, 454, 455  
See application file for complete search history.

(56) **References Cited**

**U.S. PATENT DOCUMENTS**

D378,683 S *	4/1997	Ridinger	.....	D17/99
D402,684 S *	12/1998	Wilson et al.	.....	D17/99
D426,226 S *	6/2000	Ridinger	.....	D14/188
D487,905 S *	3/2004	Nelson et al.	.....	D17/99
D564,013 S *	3/2008	Patton et al.	.....	D17/99
D604,760 S *	11/2009	Small	.....	D17/20
D629,837 S *	12/2010	Ishihara et al.	.....	D17/20
D661,342 S *	6/2012	Ridinger	.....	D17/99

D687,883 S *	8/2013	Ando et al.	.....	D17/20
D688,301 S *	8/2013	Ando	.....	D17/20
D703,263 S *	4/2014	D'Addario et al.	.....	D17/99
D709,124 S *	7/2014	Ridinger et al.	.....	D17/99

**OTHER PUBLICATIONS**

JP Office Action dated Jul. 3, 2012 for Design Application JP2012-00415 filed Mar. 29, 2012 by inventors T. Hazama and T. Uesugi.  
English translation of JP Office Action dated Jul. 3, 2012 for Design Application JP2012-00415 filed Mar. 29, 2012 by inventors T. Hazama and T. Uesugi.

\* cited by examiner

*Primary Examiner* — Rashida Johnson

(74) *Attorney, Agent, or Firm* — David W. Victor; Konrad Raynes Davda & Victor LLP

(57) **CLAIM**

We claim the ornamental design for a tuner for musical instruments, as shown and described.

**DESCRIPTION**

FIG. 1 is a front view of a tuner for musical instruments showing our new design.

FIG. 2 is a rear view thereof.

FIG. 3 is a left side view thereof.

FIG. 4 is a right side view thereof.

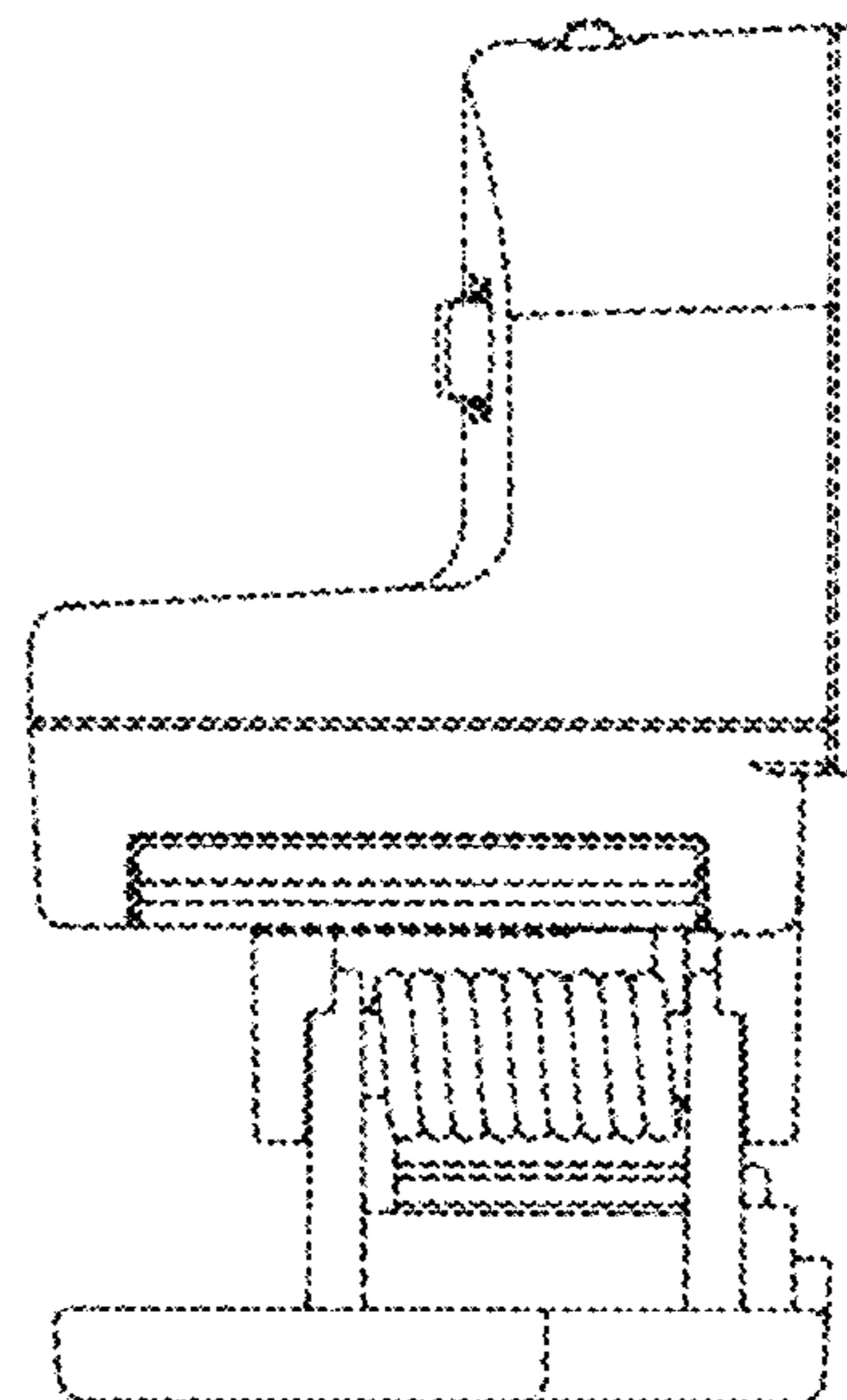
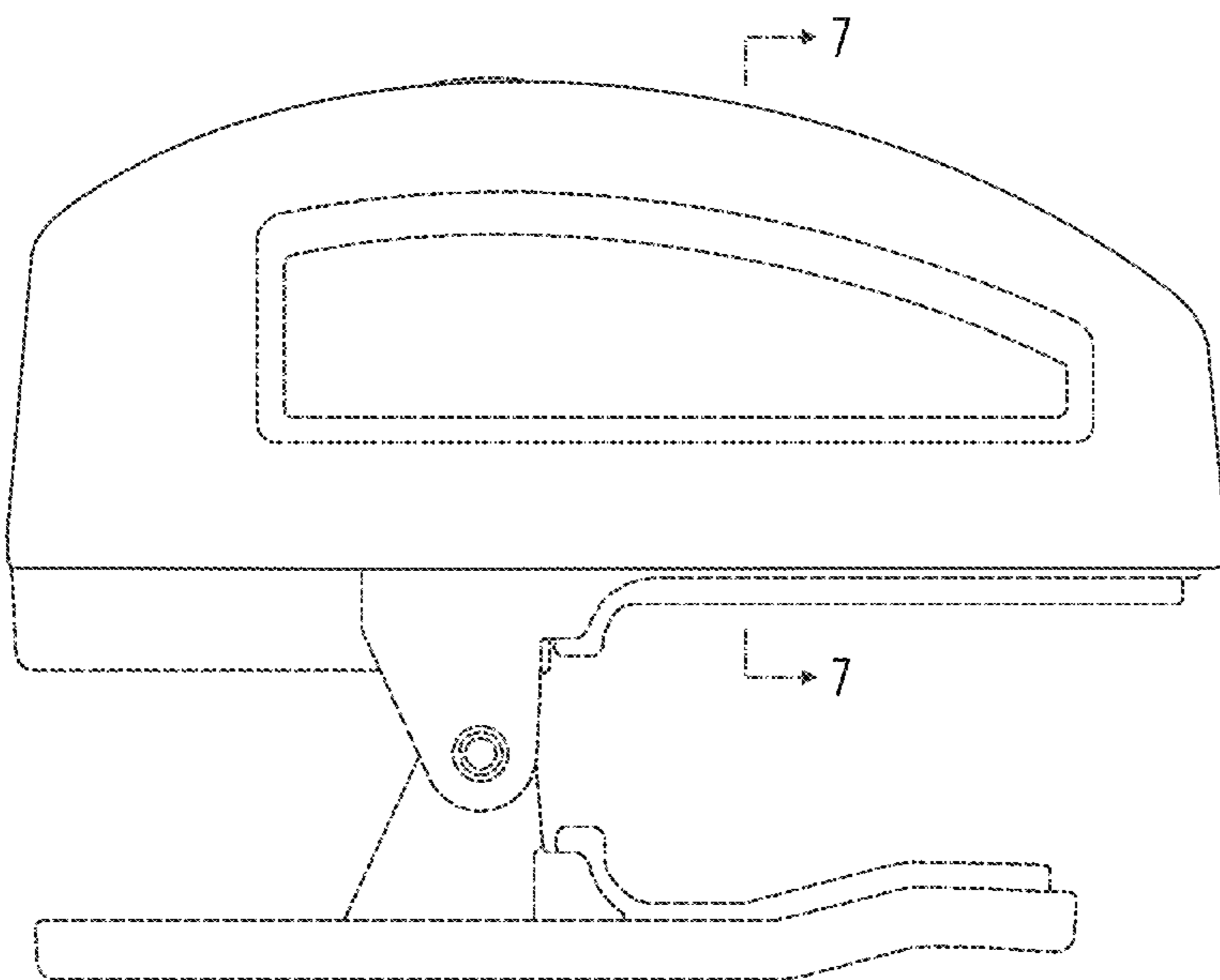
FIG. 5 is a top plan view thereof.

FIG. 6 is a bottom plan view thereof; and,

FIG. 7 provides a 7-7 cross-sectional view taken along a line 7-7 shown in FIG. 1.

The broken lines in the drawings are for illustrative purposes only and form no part of the claimed design.

**1 Claim, 7 Drawing Sheets**



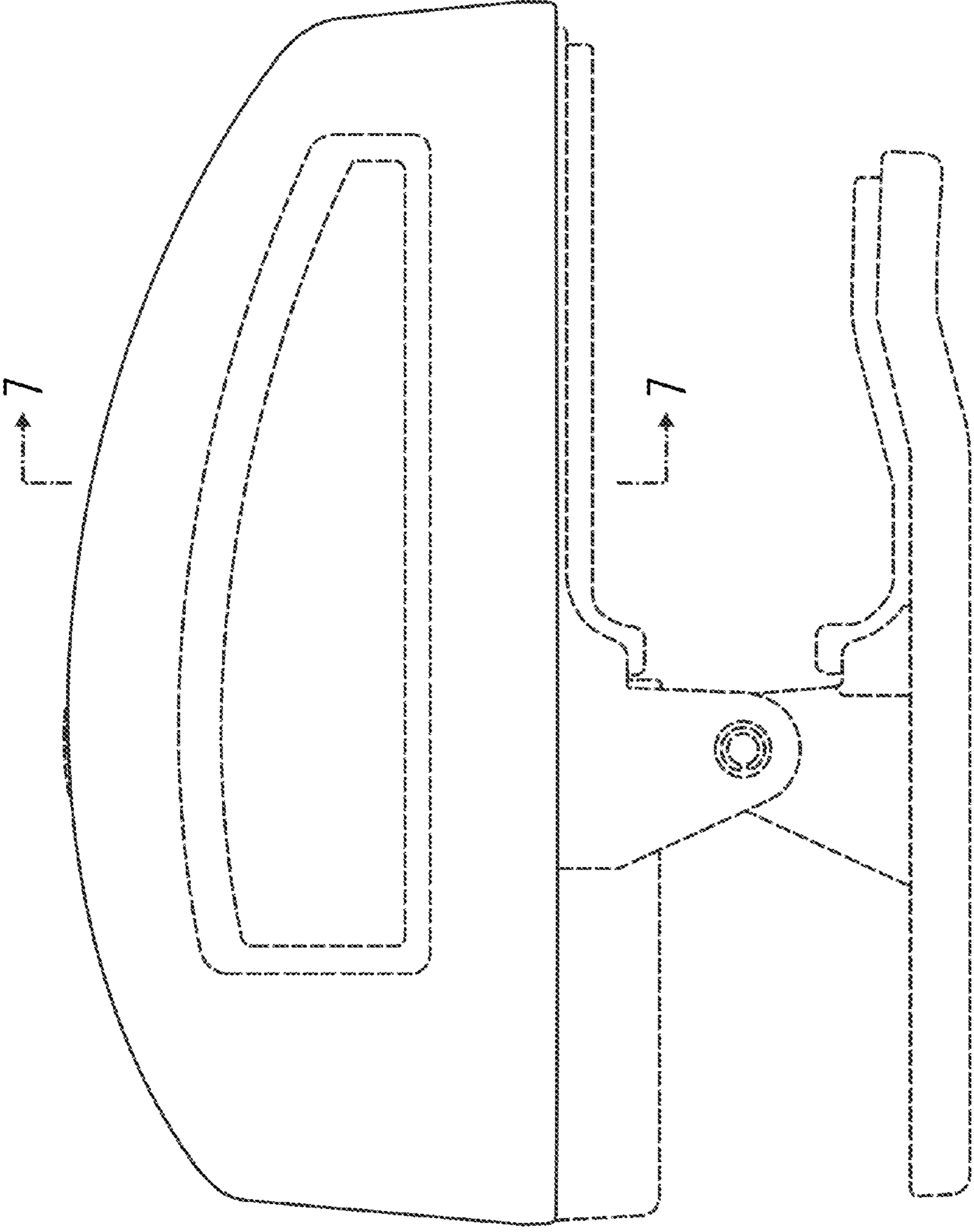


FIG. 1

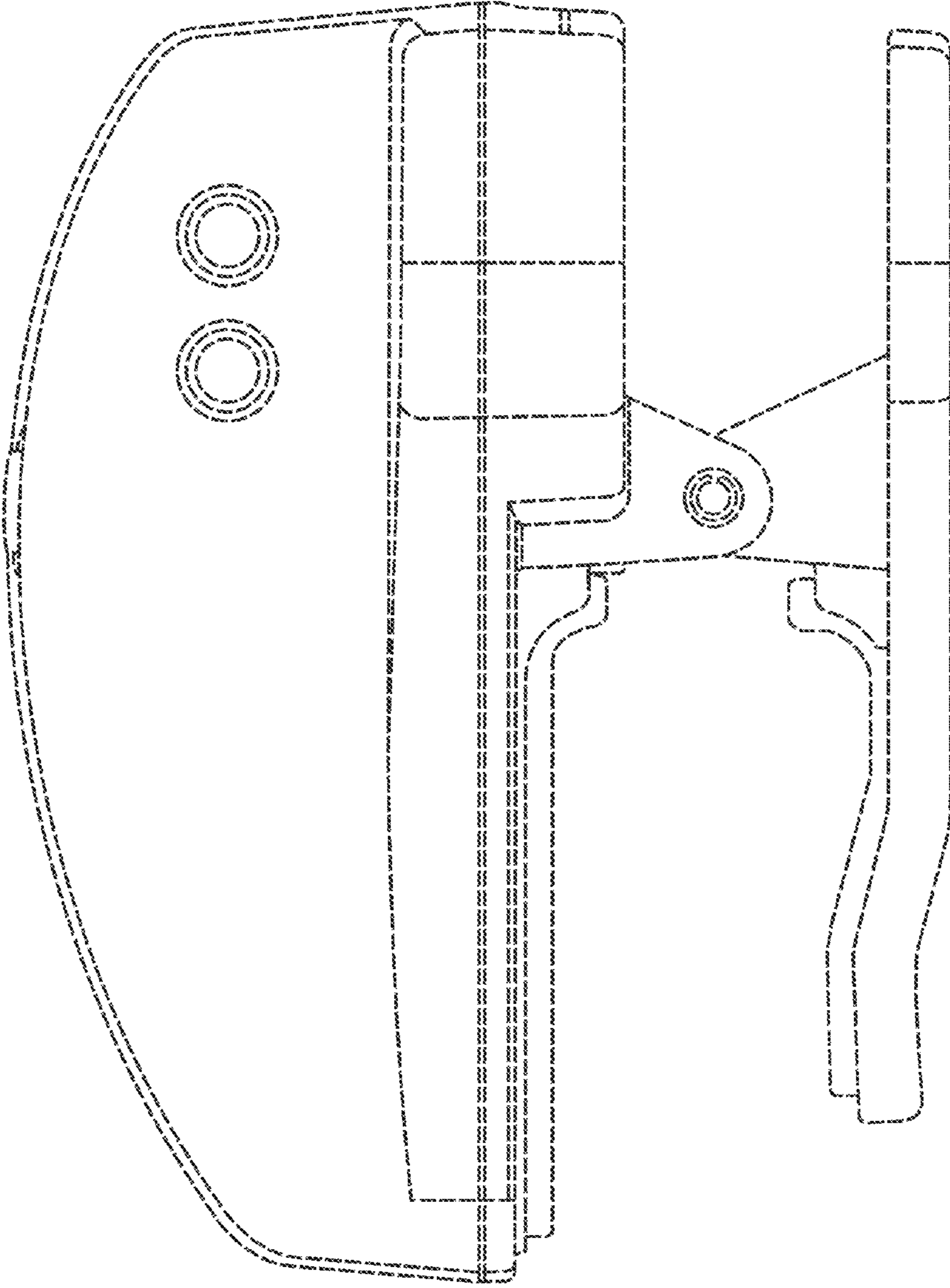


FIG. 2

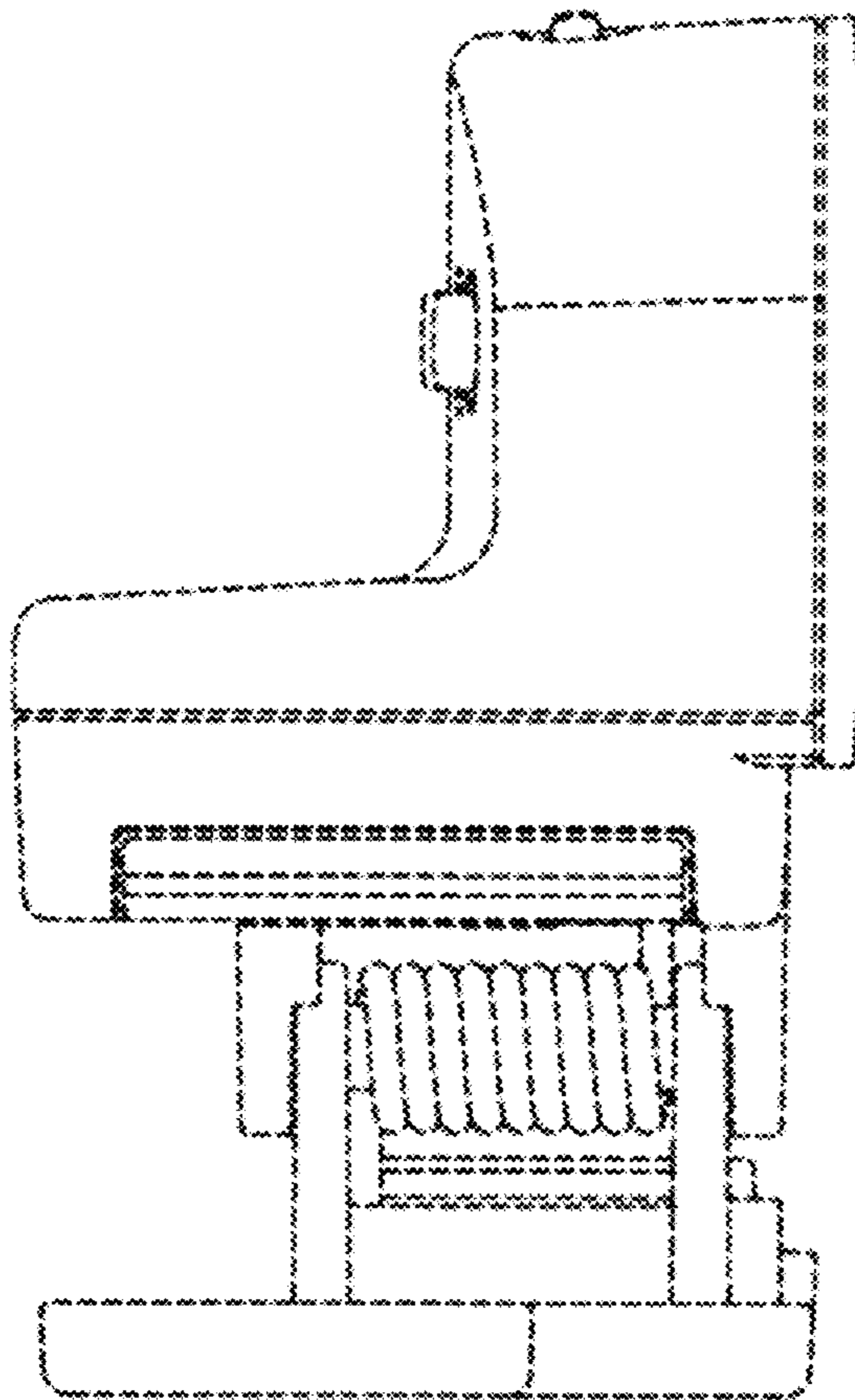


FIG. 3

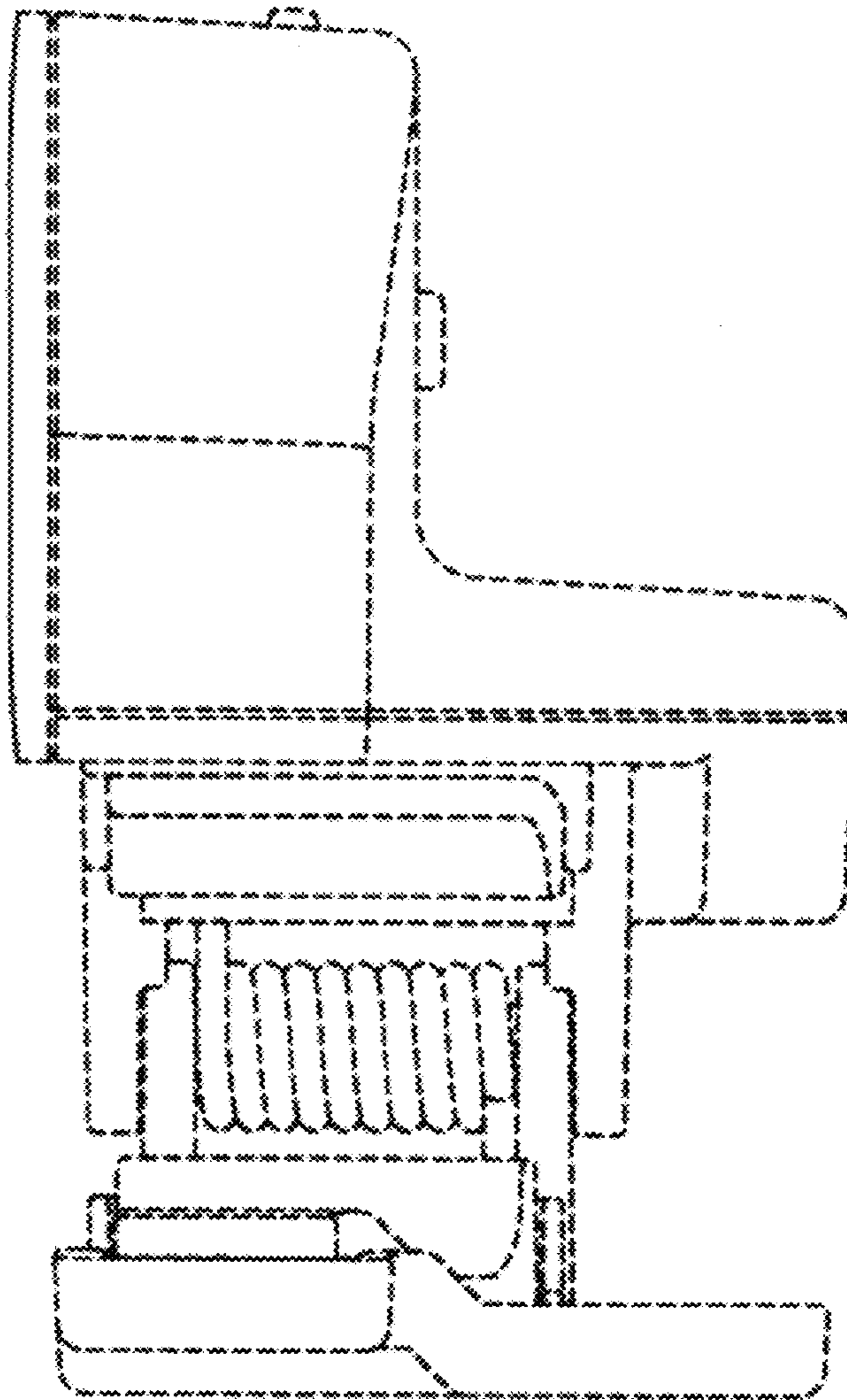


FIG. 4

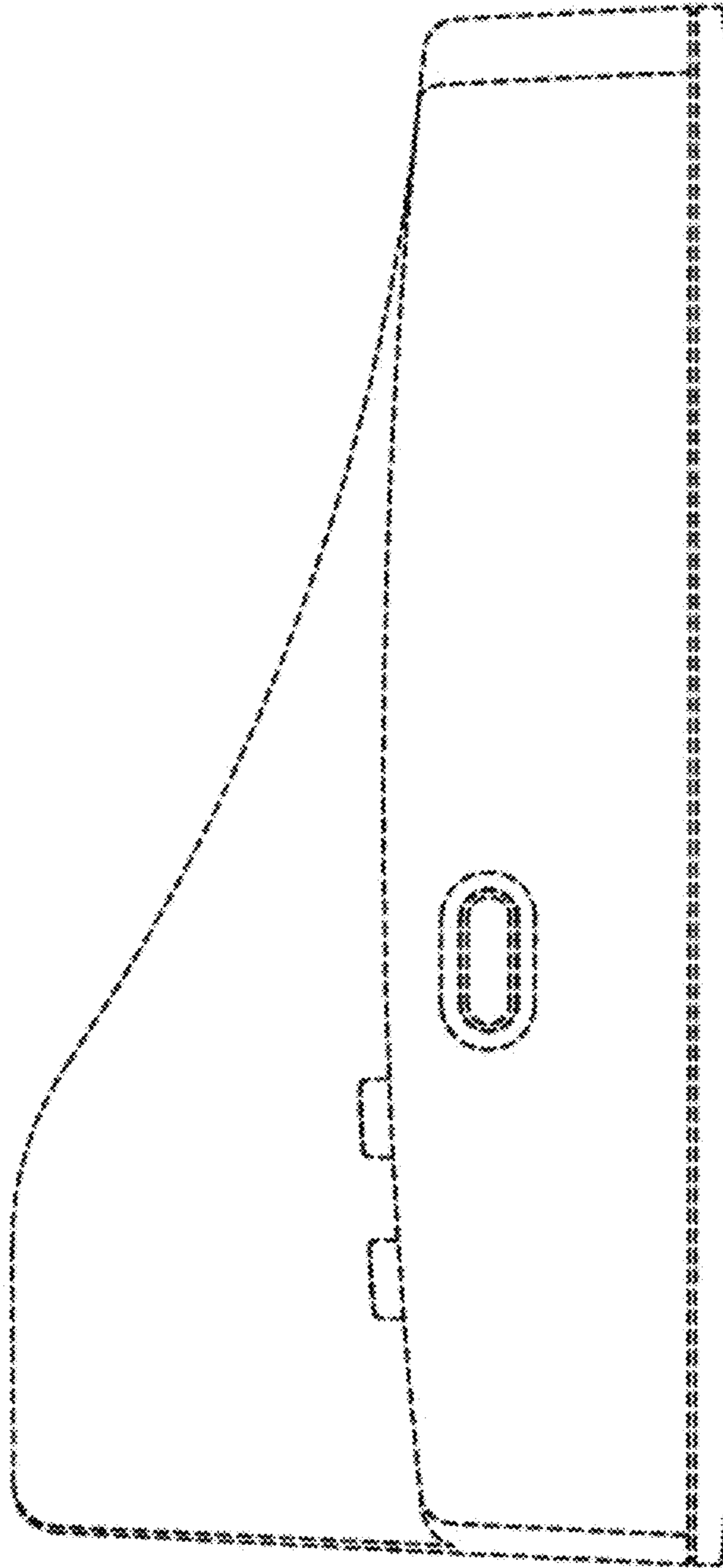


FIG. 5

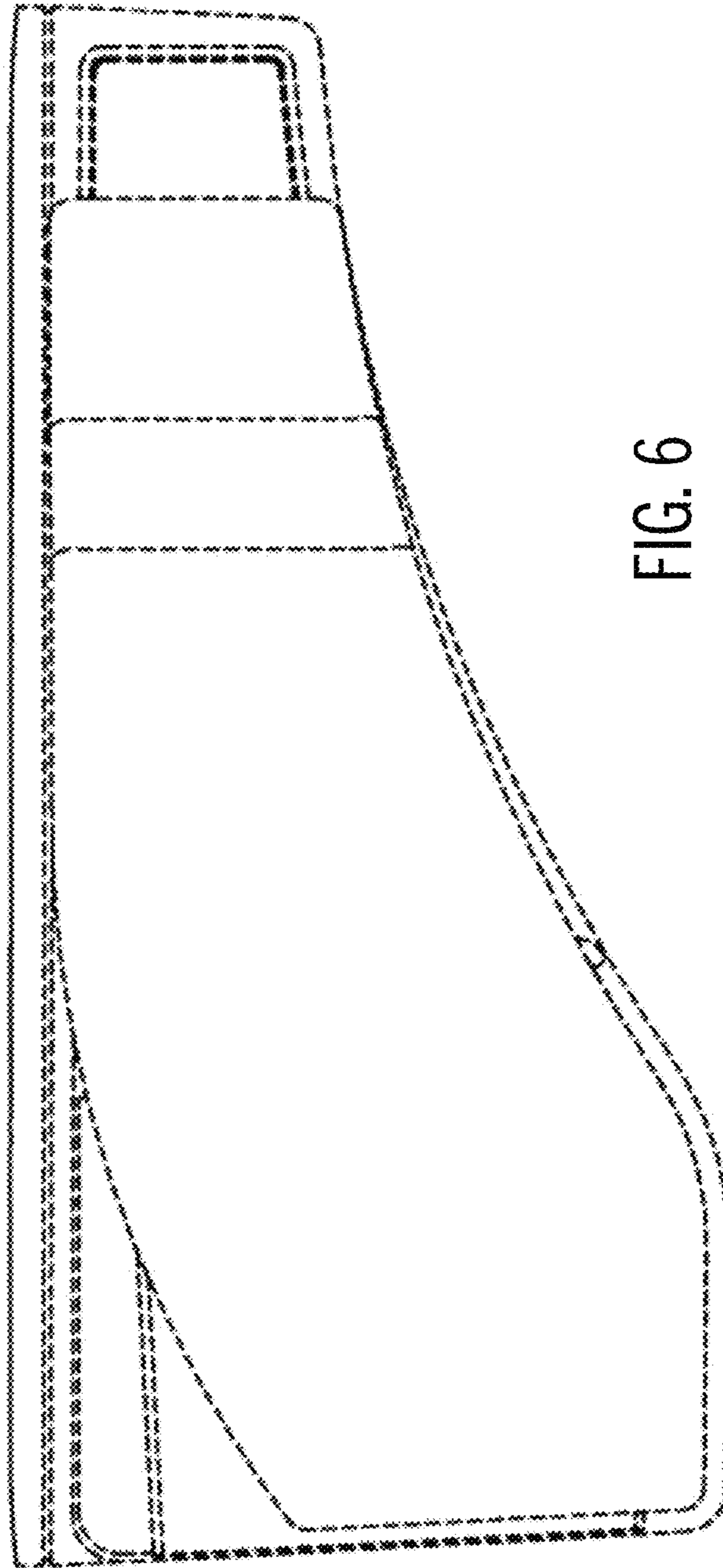


FIG. 6

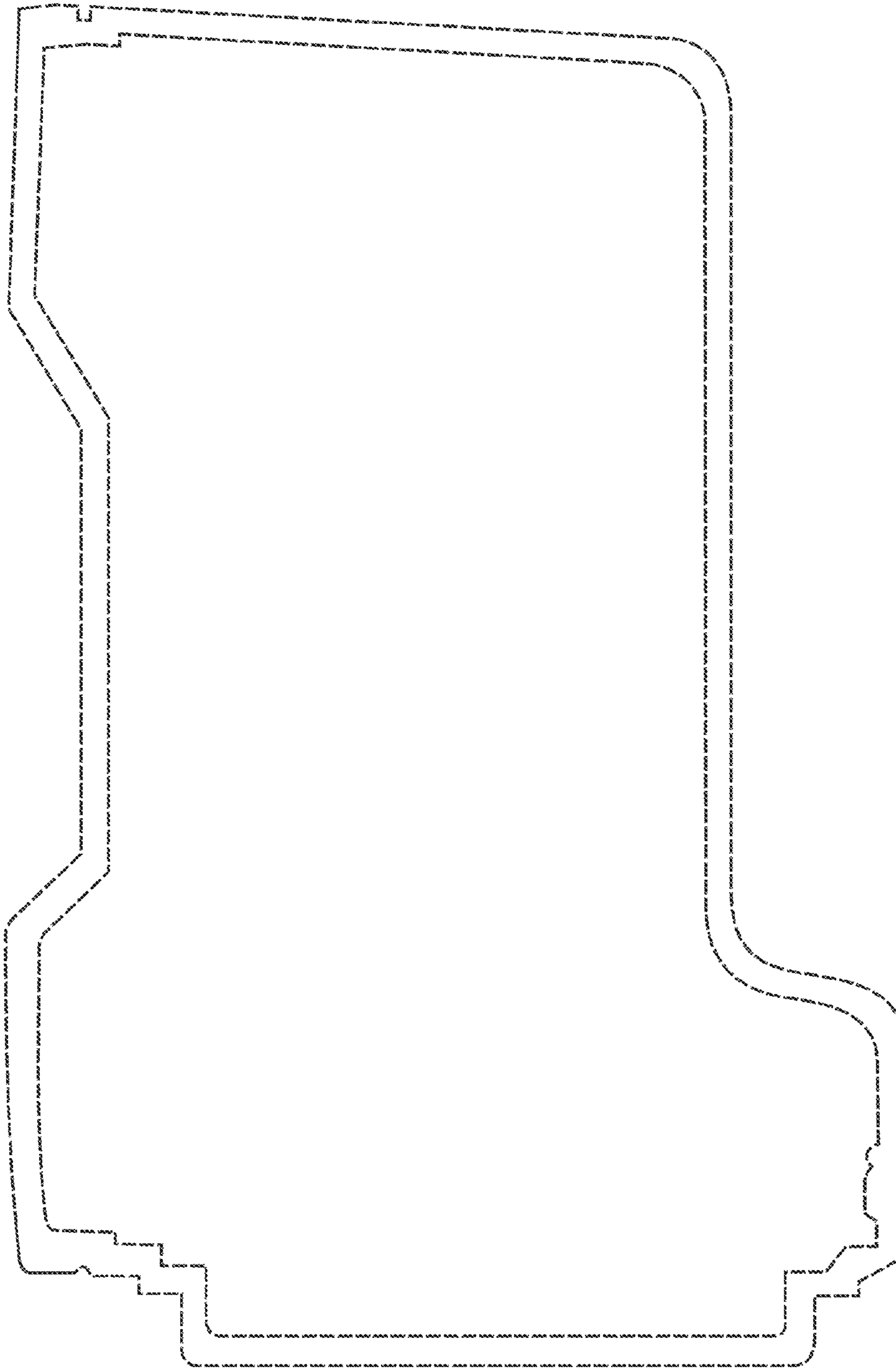


FIG. 7