



US00D742956S

(12) **United States Design Patent**
Klinger

(10) **Patent No.:** **US D742,956 S**

(45) **Date of Patent:** **** Nov. 10, 2015**

(54) **CAMERA MOUNT**

(71) Applicant: **Astro Worx, Inc.**, Troutman, NC (US)

(72) Inventor: **Ryan Klinger**, Troutman, NC (US)

(73) Assignee: **Astro Works, Inc.**, Asheville, NC (US)

(**) Term: **14 Years**

(21) Appl. No.: **29/510,607**

(22) Filed: **Dec. 1, 2014**

(51) **LOC (10) Cl.** **16-05**

(52) **U.S. Cl.**
USPC **D16/243**

(58) **Field of Classification Search**
USPC D14/250; D16/237, 242, 243, 244, 245;
D22/108, 142; 248/187.1; 396/419,
396/420, 421, 422, 425, 426
See application file for complete search history.

(56) **References Cited**

U.S. PATENT DOCUMENTS

4,226,418	A *	10/1980	Balfour	473/551
4,697,377	A *	10/1987	Martin	43/23
D491,999	S *	6/2004	Scott	D22/142
6,913,159	B1 *	7/2005	Goldberg	215/396
D580,710	S *	11/2008	Huggins	D7/515

D674,380	S *	1/2013	Soekoro	D14/250
D676,752	S *	2/2013	Middleton	D9/533
D728,725	S *	5/2015	Anderson et al.	D22/108
D729,787	S *	5/2015	Soekoro	D14/250
2008/0310834	A1 *	12/2008	Chatman, II	396/419

* cited by examiner

Primary Examiner — Susan Bennett Hattan

Assistant Examiner — Leanne Was

(74) *Attorney, Agent, or Firm* — Ward and Smith P.A.; Ryan K. Simmons

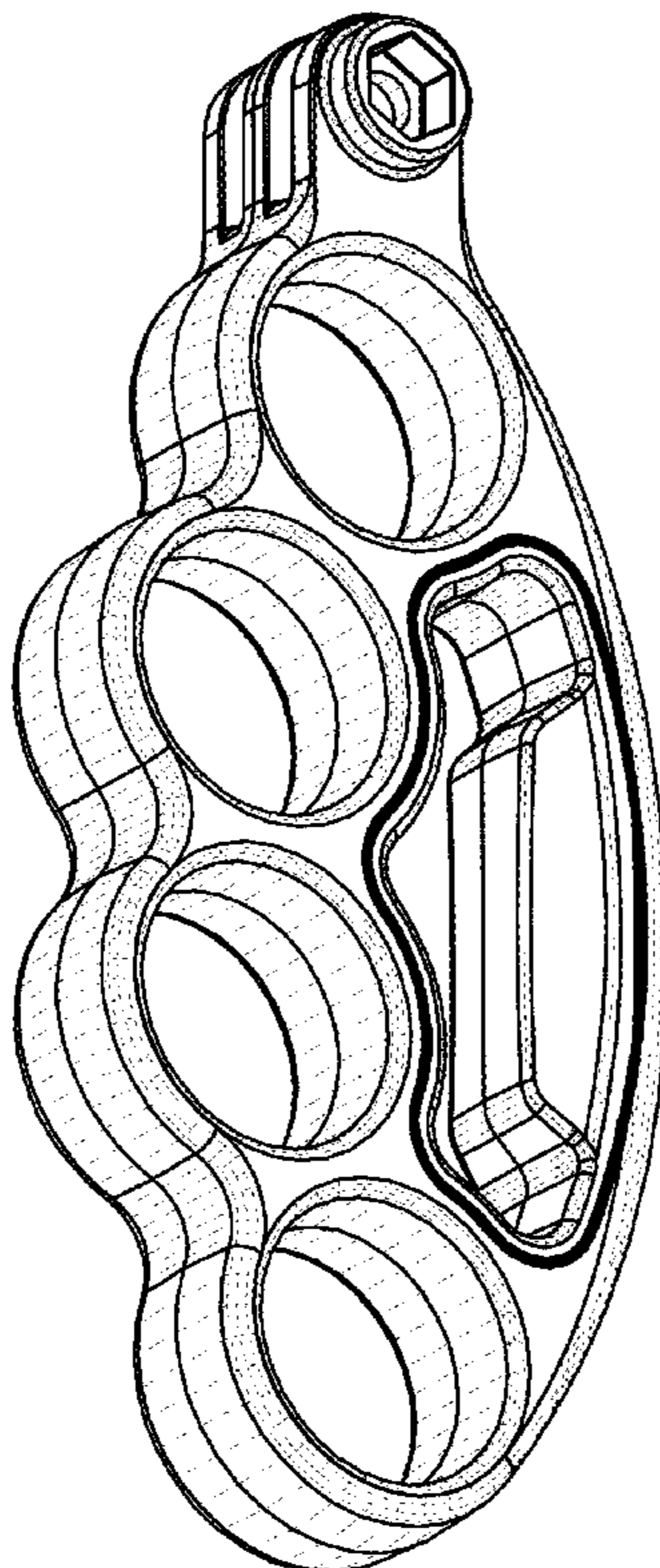
(57) **CLAIM**

I claim the ornamental design for a camera mount, as shown and described.

DESCRIPTION

FIG. 1 is a front left side perspective view of a camera mount showing a new design;
FIG. 2 is a left side elevation view thereof;
FIG. 3 is a right side elevation view thereof;
FIG. 4 is a front elevation view thereof;
FIG. 5 is a rear elevation side view thereof;
FIG. 6 is a bottom plan view thereof;
FIG. 7 is top plan view thereof; and,
FIG. 8 is another front left side perspective view thereof.
The dashed lines shown in the drawings are for environmental purposes only and form no part of the claimed design.

1 Claim, 6 Drawing Sheets



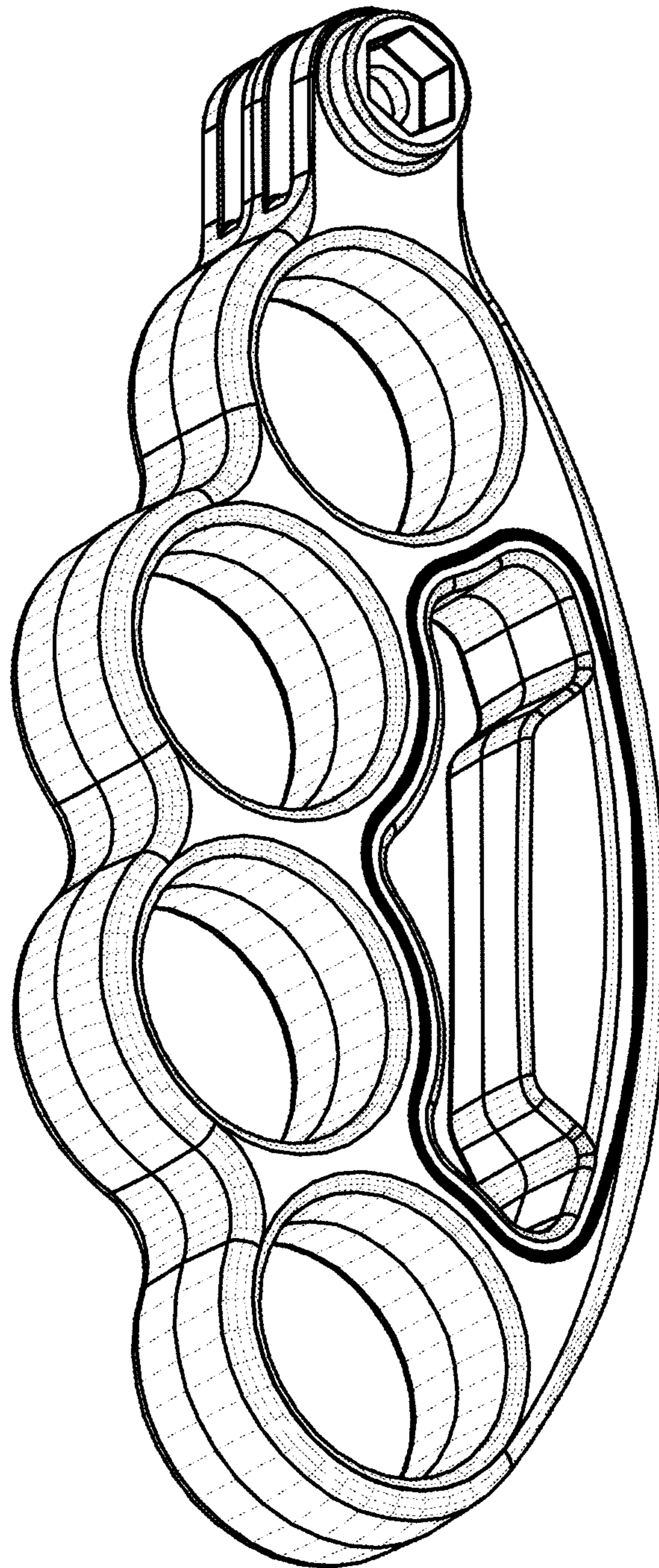


FIG. 1

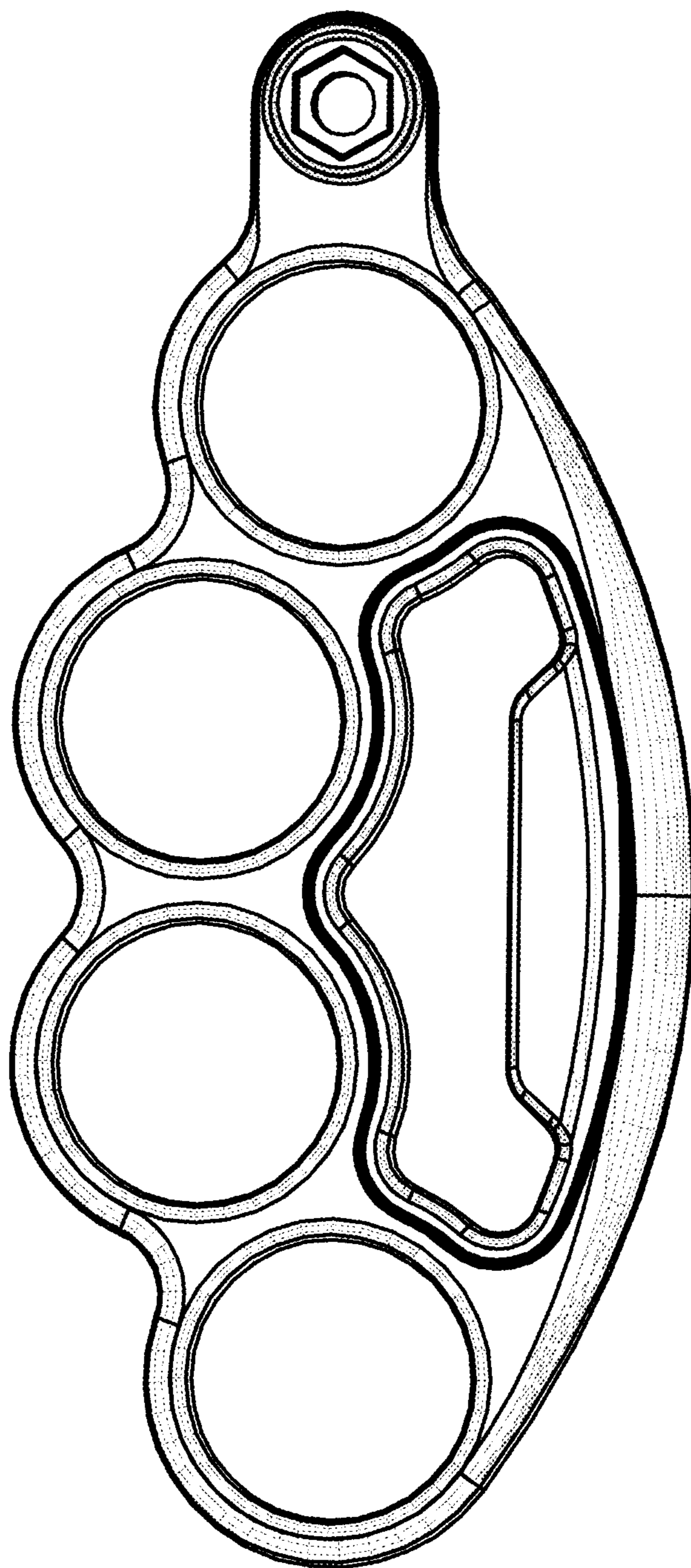


FIG. 2

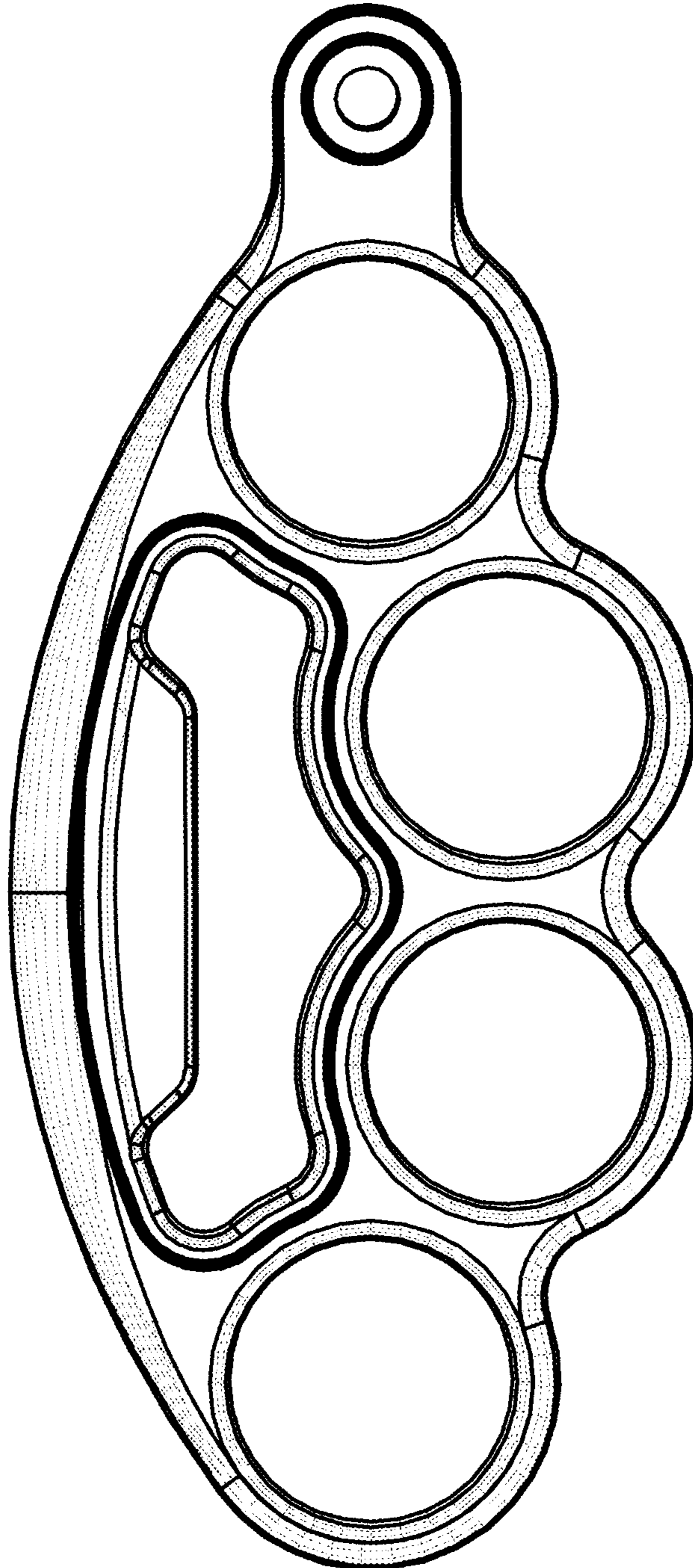


FIG. 3

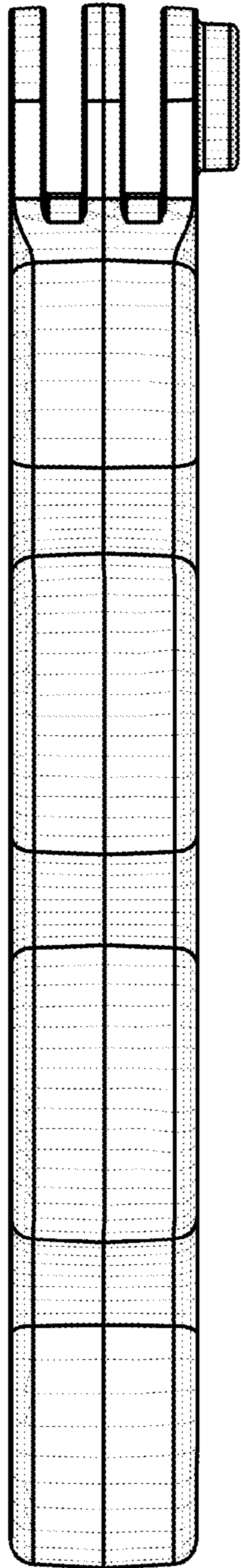


FIG. 4

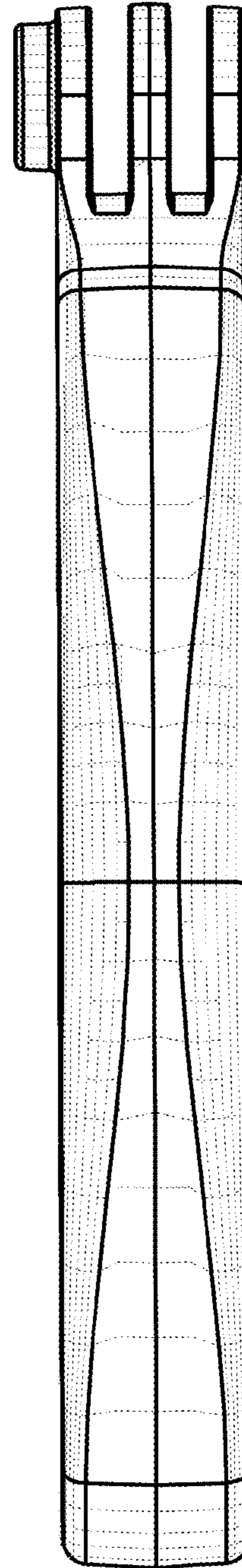


FIG. 5

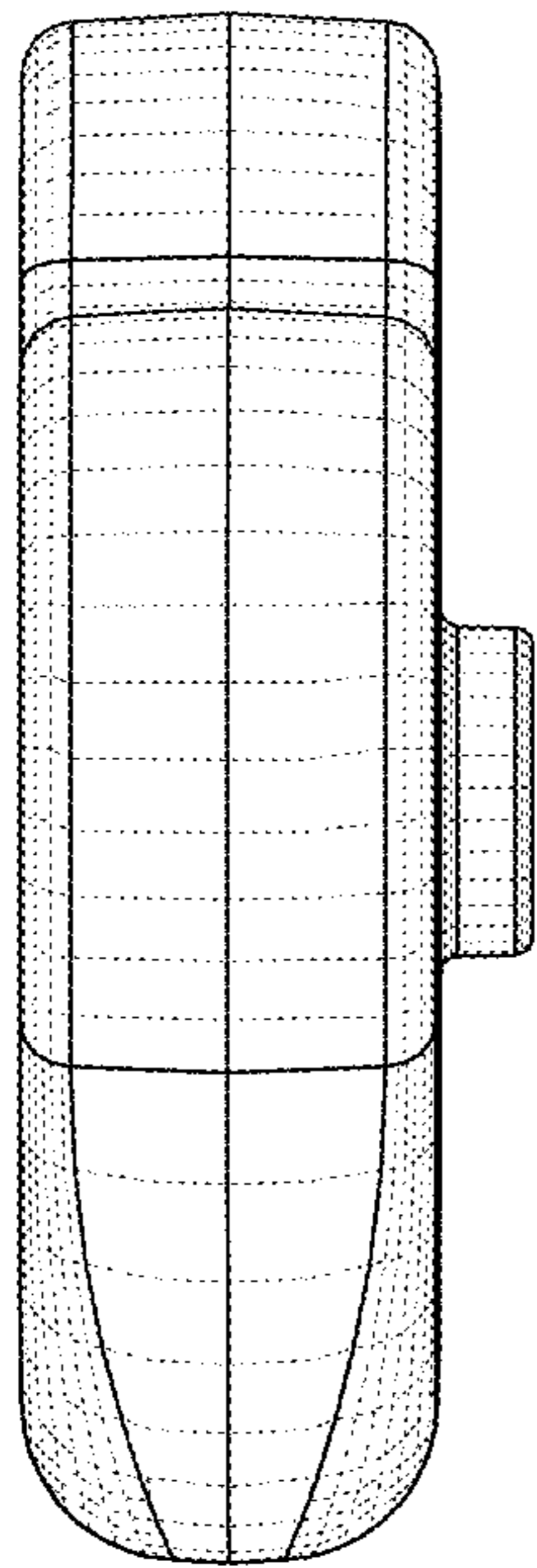


FIG. 6

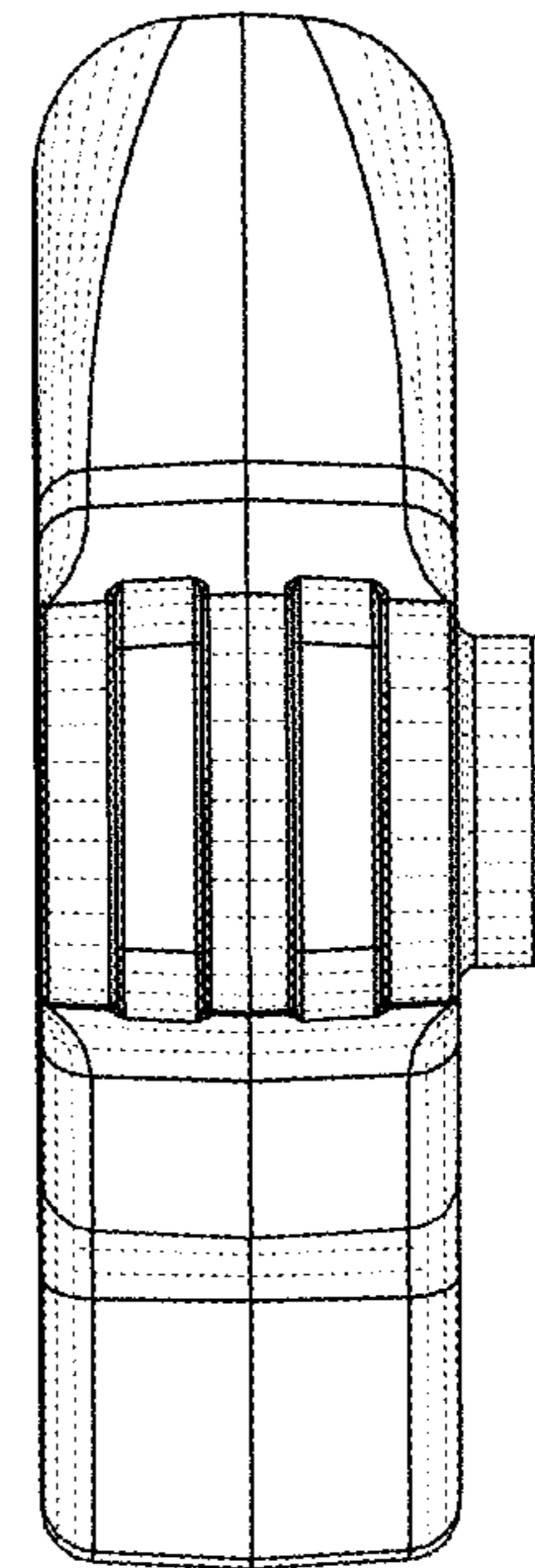


FIG. 7

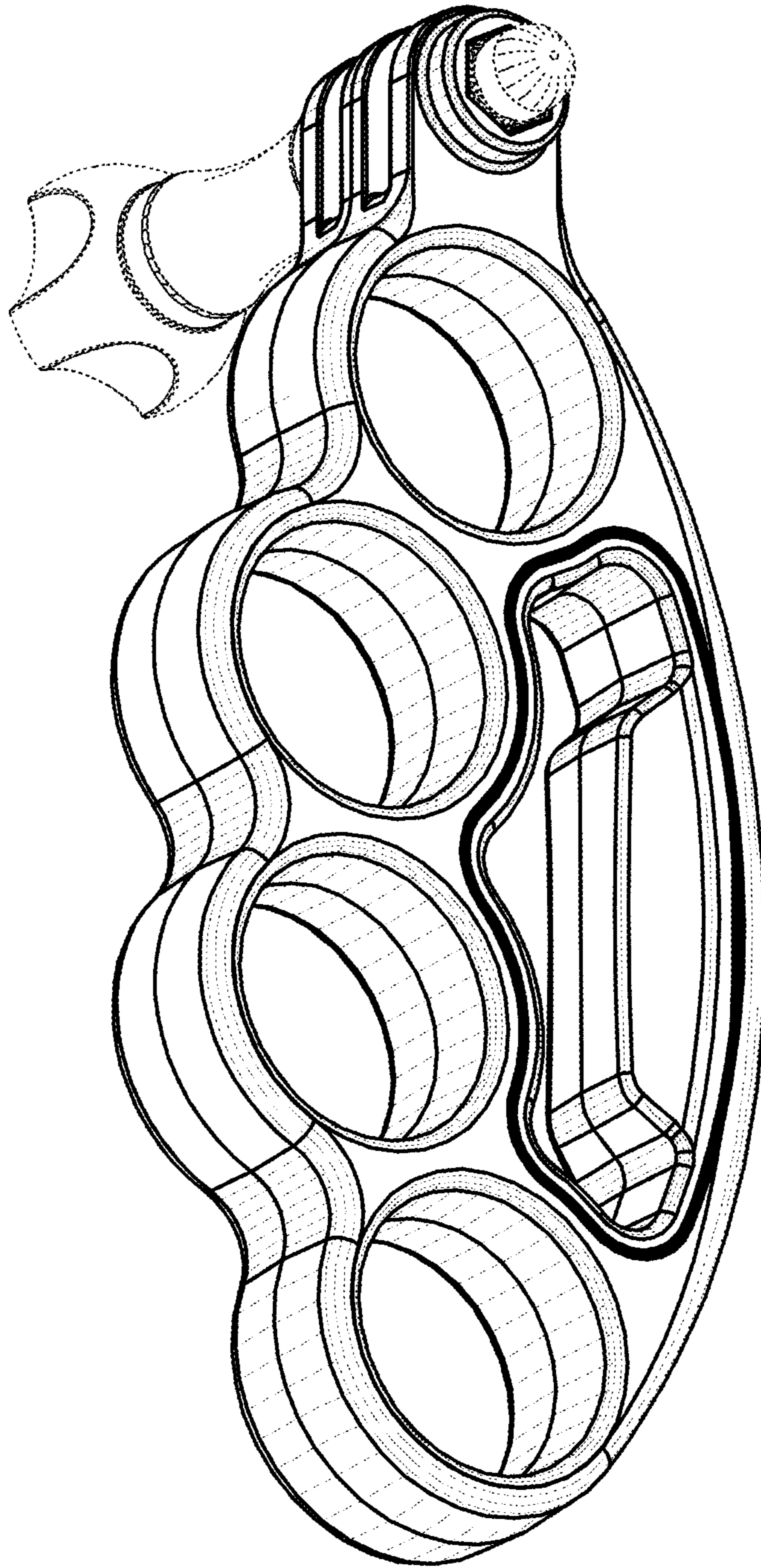


FIG. 8

UNITED STATES PATENT AND TRADEMARK OFFICE
CERTIFICATE OF CORRECTION

PATENT NO. : D742,956 S
APPLICATION NO. : 29/510607
DATED : November 10, 2015
INVENTOR(S) : Ryan Klinger

Page 1 of 1

It is certified that error appears in the above-identified patent and that said Letters Patent is hereby corrected as shown below:

On the title page of the as issued patent, delete the Assignee information at item (73) 'Assignee', and replace with the following:

-- (73) Assignee: Astro Worx, Inc., Asheville, NC (US) --

Signed and Sealed this
Sixth Day of December, 2016



Michelle K. Lee
Director of the United States Patent and Trademark Office