



US00D742955S

(12) **United States Design Patent**
Kozko et al.

(10) **Patent No.:** **US D742,955 S**

(45) **Date of Patent:** **** Nov. 10, 2015**

(54) **PANORAMIC OPTICAL DEVICE**
(71) Applicant: **360 LAB, LLC**, Aventura, FL (US)
(72) Inventors: **Dmitry Kozko**, Aventura, FL (US); **Ivan G. Onuchin**, Hollywood, FL (US); **Nikolay Shturkin**, Yekaterinburg (RU)

(**) Term: **14 Years**

(21) Appl. No.: **29/494,162**

(22) Filed: **Jun. 18, 2014**

(51) **LOC (10) Cl.** **16-01**

(52) **U.S. Cl.**
USPC **D16/218**; D16/207

(58) **Field of Classification Search**
USPC D16/200, 202–208, 218, 219, 242;
348/143, 148, 151, 373–376; 396/419,
396/427, 535, 539–541
CPC G03B 17/02; G03B 19/04; G03B 17/56;
G03B 17/04; G03B 15/03; H04N 5/2251;
H04N 5/2252; H04N 5/2253; H04N 5/2254;
H04N 7/181; H04N 7/183; H04N 7/18;
G08B 13/1963; G08B 13/19619; G08B
13/19632

See application file for complete search history.

(56) **References Cited**

U.S. PATENT DOCUMENTS

D387,788 S * 12/1997 Jeong et al. D16/202
D395,715 S * 6/1998 Queen D26/24
D442,202 S * 5/2001 Pfeifer et al. D16/202
D467,952 S * 12/2002 Nakamura D16/202
D516,105 S * 2/2006 Bradley et al. D16/202
D527,406 S * 8/2006 Lin D16/212

D554,682 S * 11/2007 Martinez et al. D16/203
D628,223 S * 11/2010 Kao et al. D16/202
D690,344 S * 9/2013 Hollinger D16/200
D700,232 S * 2/2014 Ramsay et al. D16/218
D705,844 S * 5/2014 Bart et al. D16/203
D730,966 S * 6/2015 Liu D16/202
D731,579 S * 6/2015 Bart et al. D16/242

* cited by examiner

Primary Examiner — Adir Aronovich

Assistant Examiner — Ramzi Almatrahi

(74) *Attorney, Agent, or Firm* — Patents on Demands P.A.;
Brian K. Buchheit; Scott M. Garrett

(57) **CLAIM**

The ornamental design for a panoramic optical device, substantially as shown and described.

DESCRIPTION

FIG. 1 is a perspective view of a panoramic optical device in accordance with the present design.

FIG. 2 is a side elevation view thereof.

FIG. 3 is a side elevation view rotated 180 degrees from the view shown in FIG. 2.

FIG. 4 is a side elevation view rotated 90 degrees from the view shown in FIG. 2.

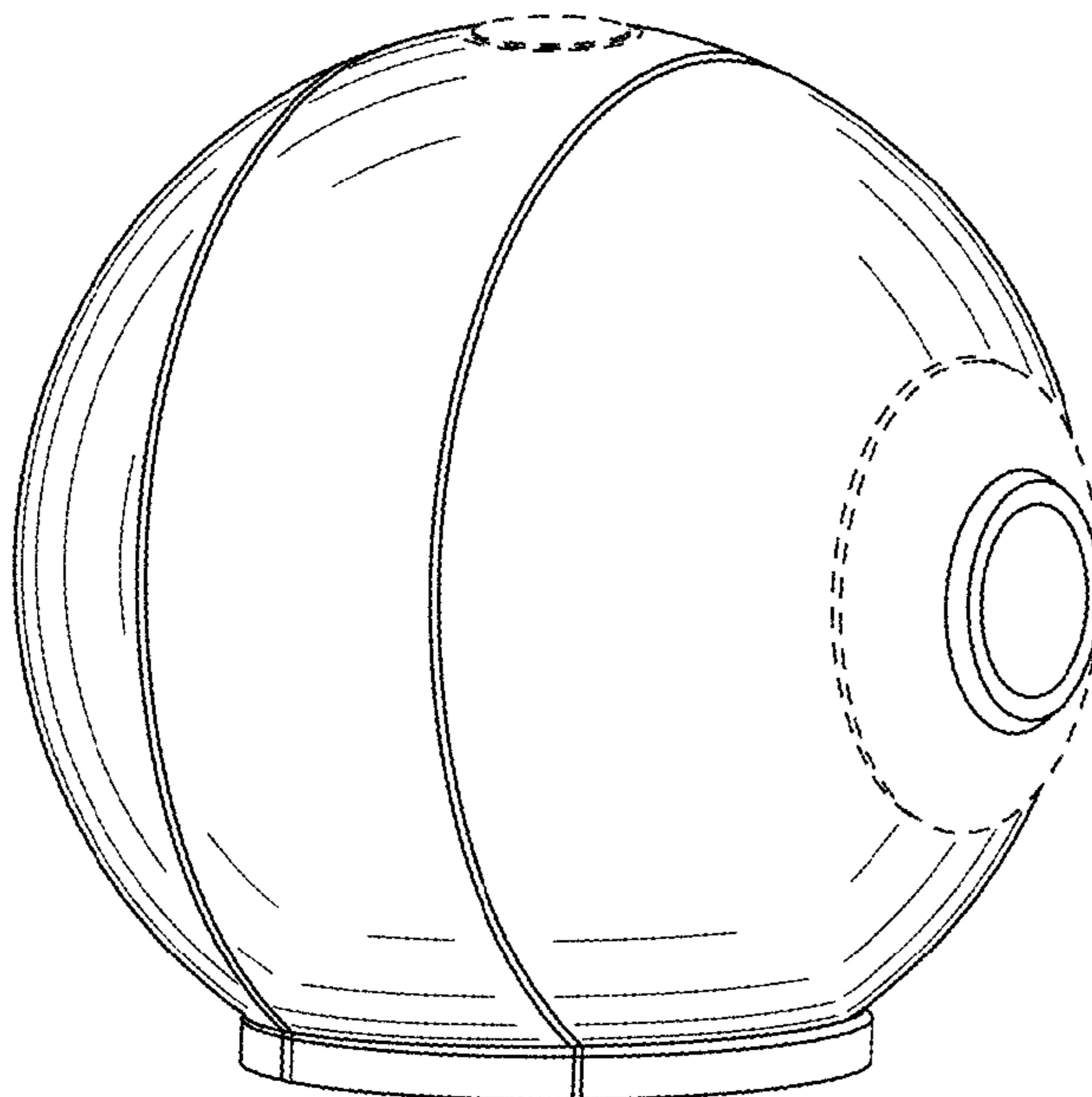
FIG. 5 is a side elevation view rotated 270 degrees from the view shown in FIG. 2.

FIG. 6 is a top plan view thereof; and,

FIG. 7 is a bottom plan view thereof.

The broken lines depict portions of a panoramic optical device in which the design is embodied and form no part of the claimed design.

1 Claim, 4 Drawing Sheets



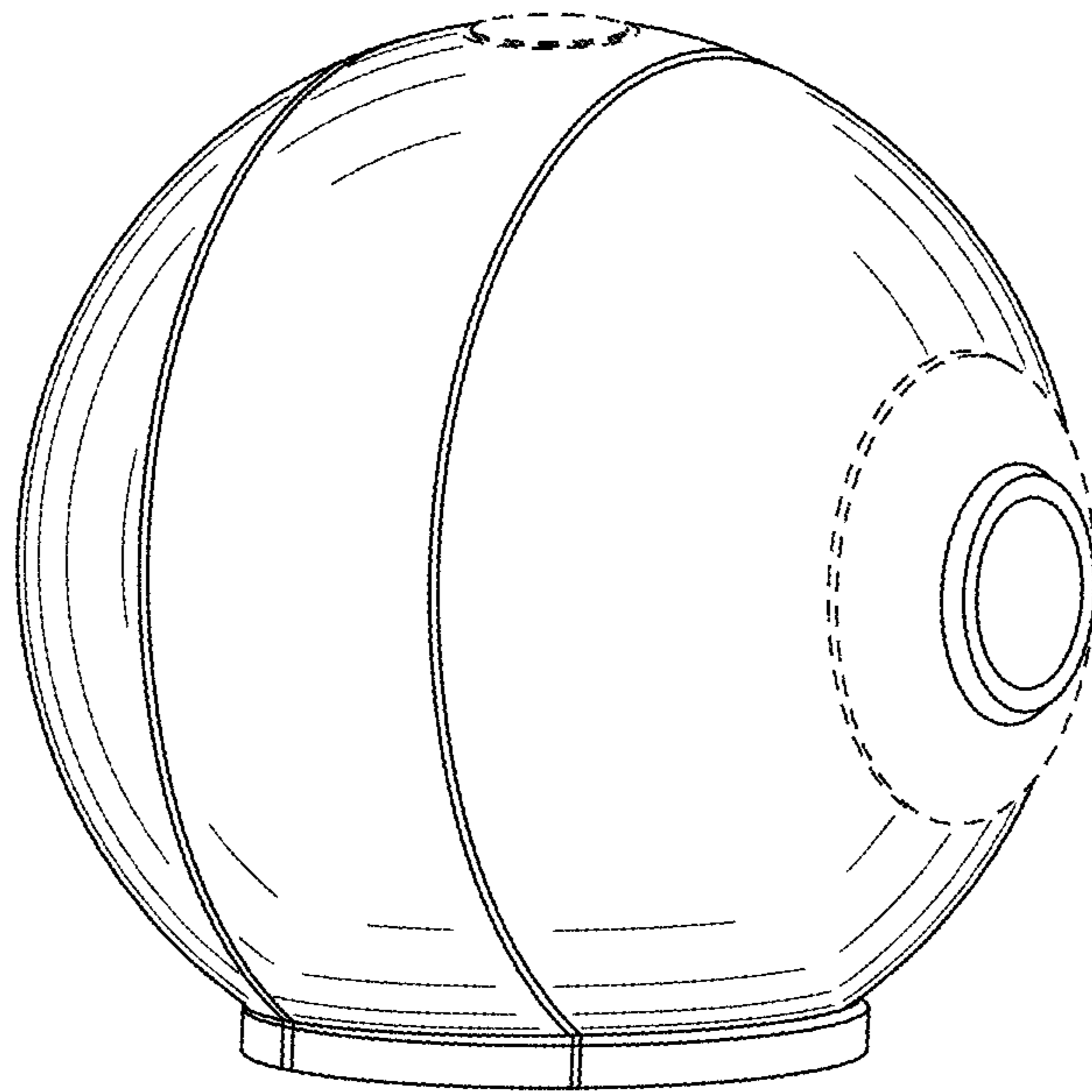


FIG. 1

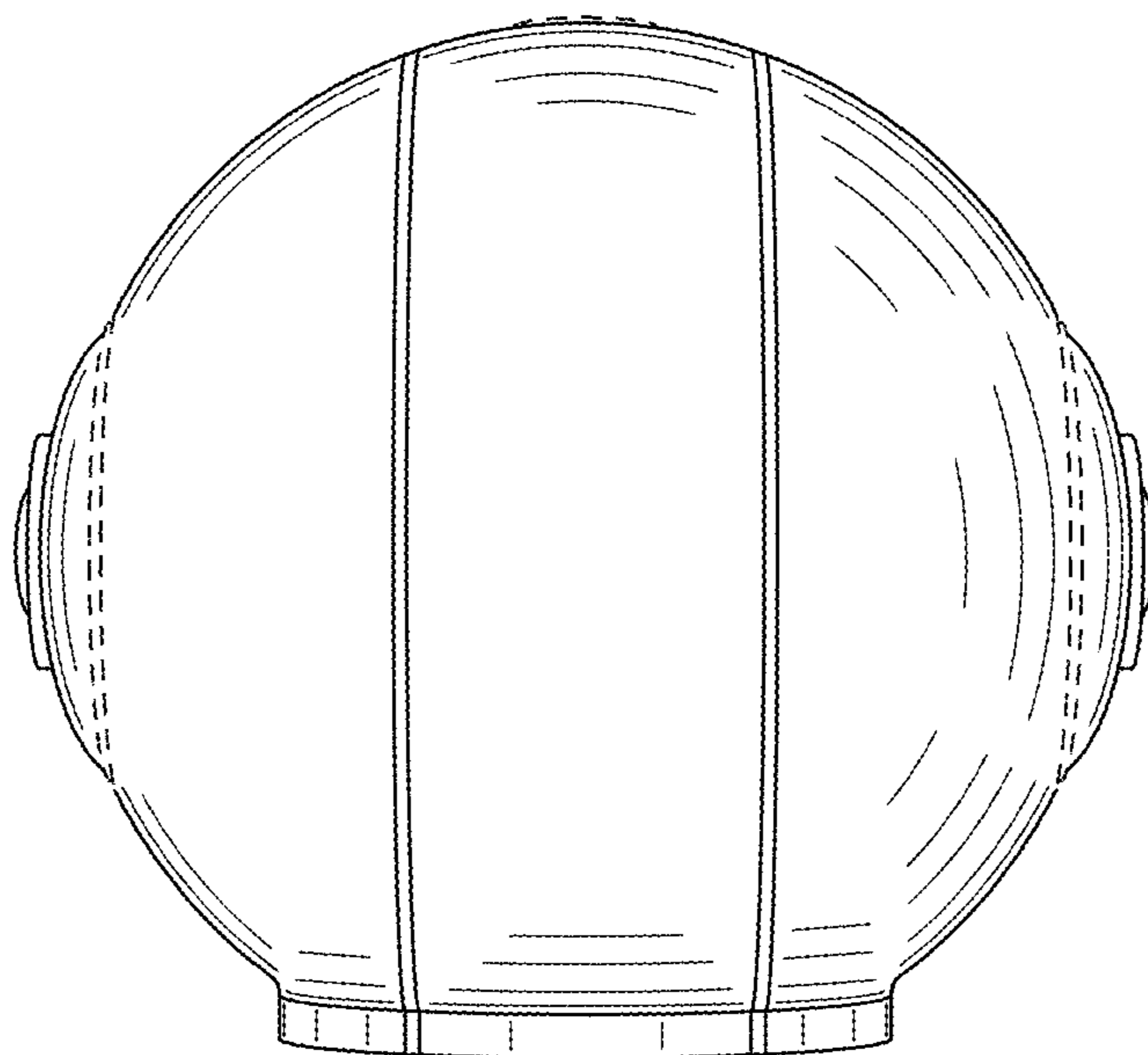


FIG. 2

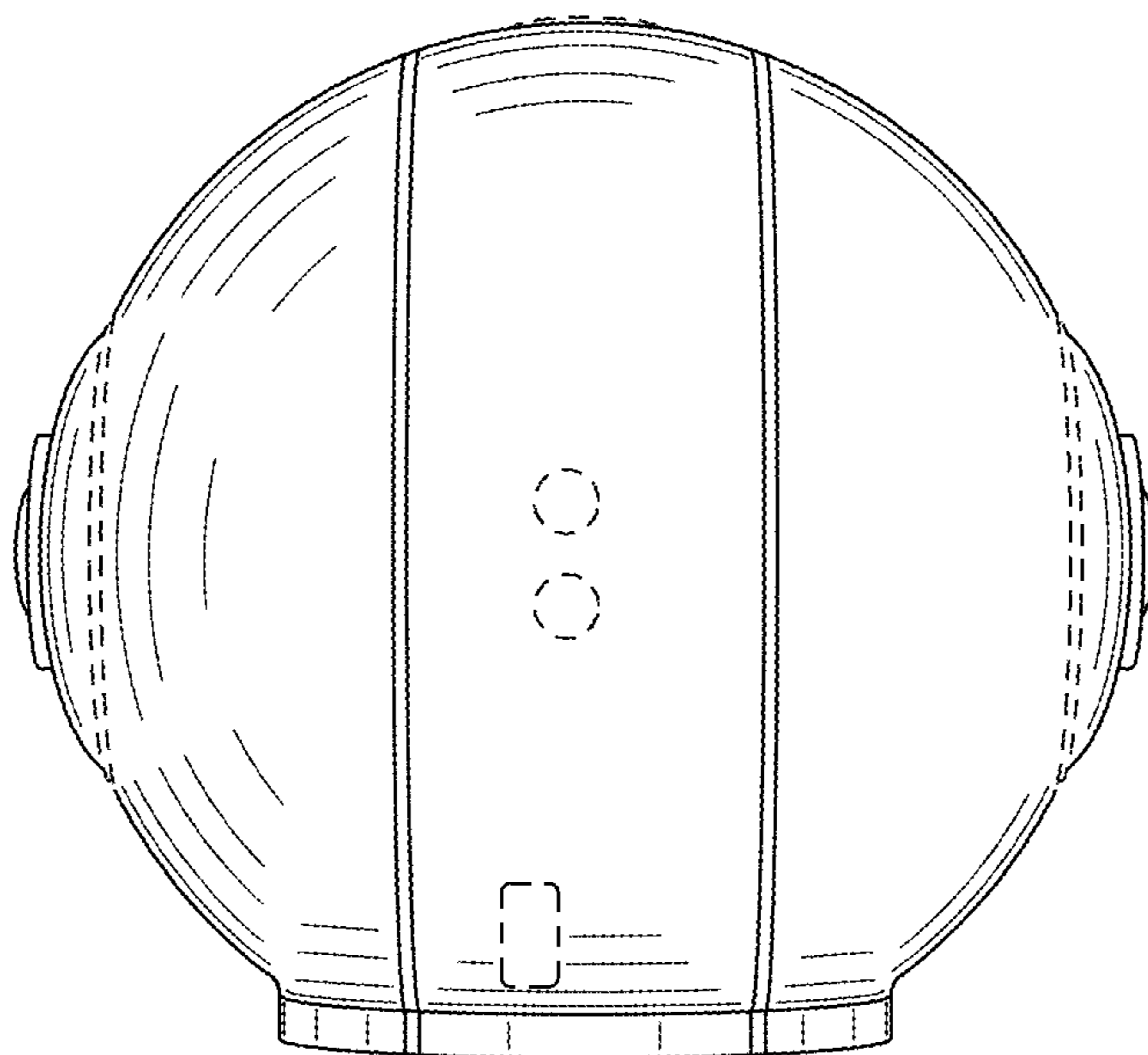


FIG. 3

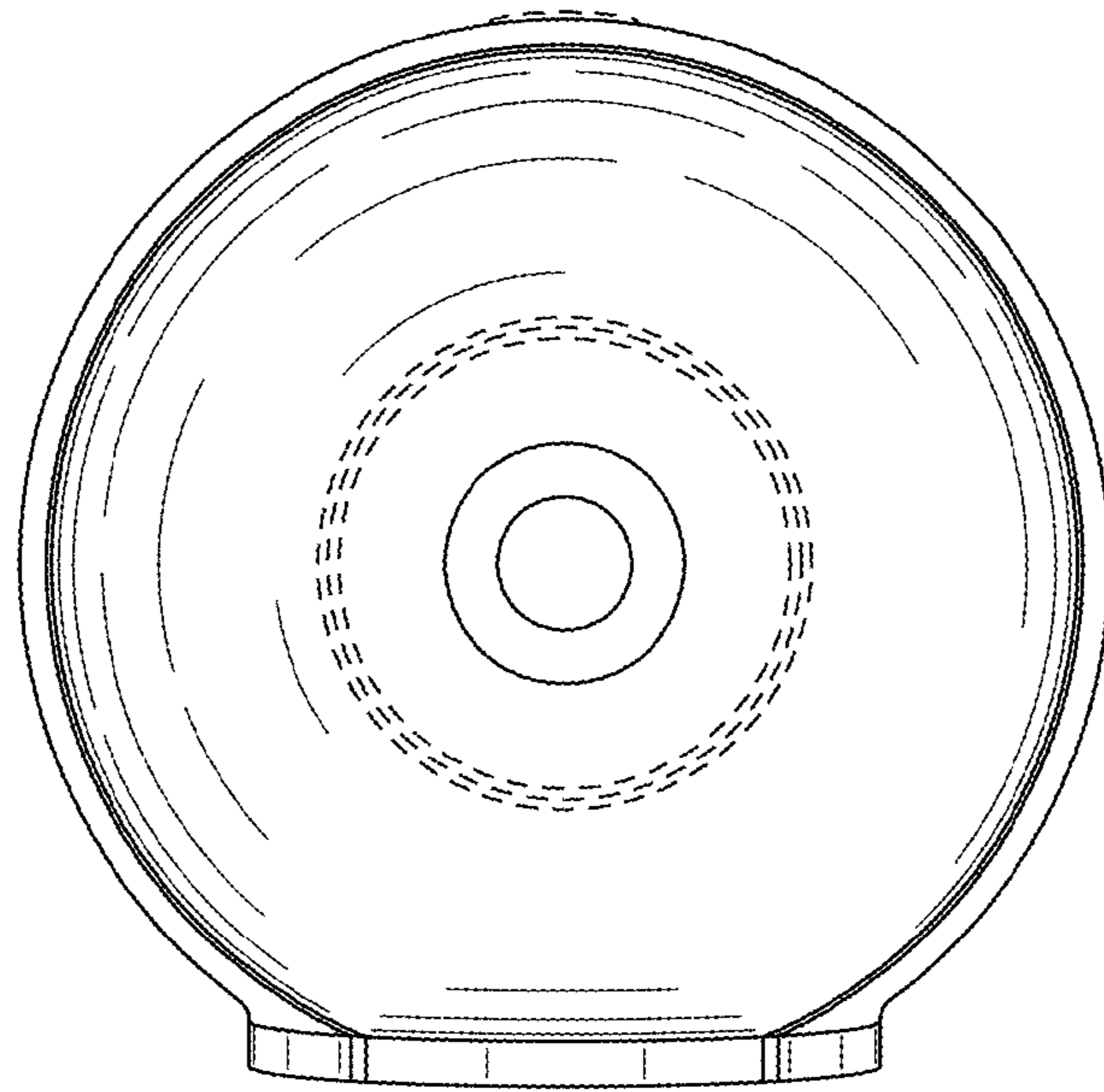


FIG. 4

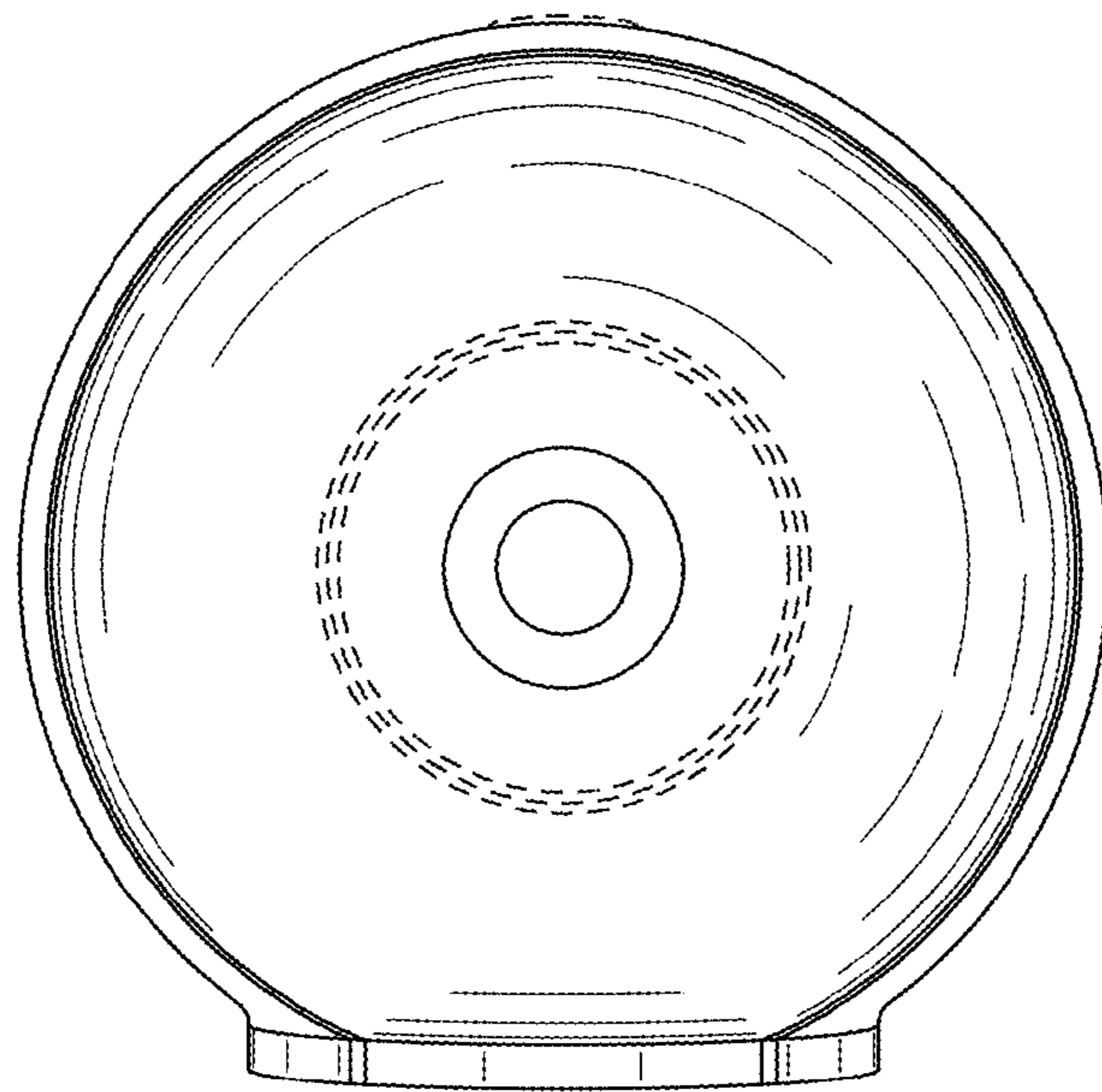


FIG. 5

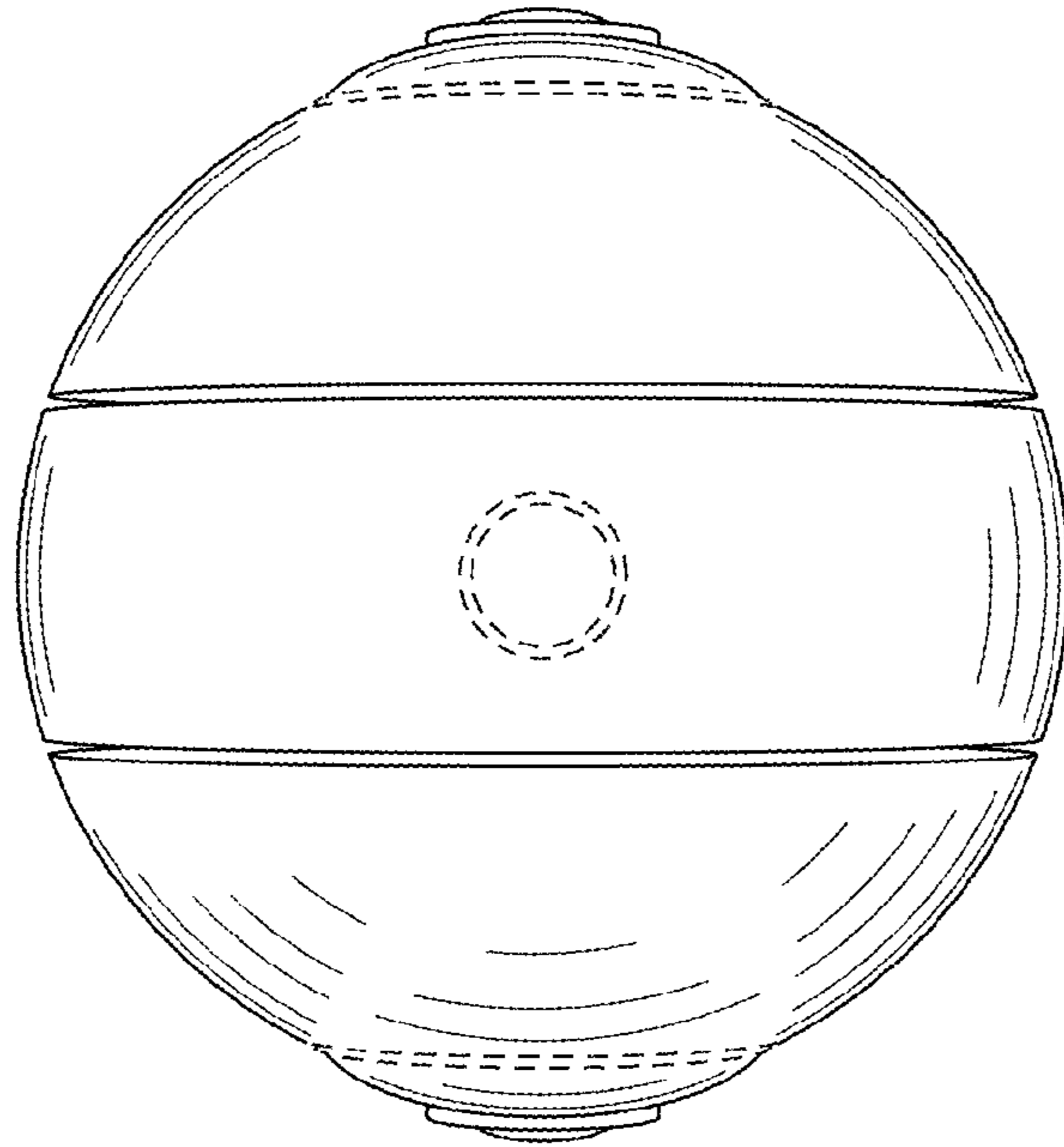


FIG. 6

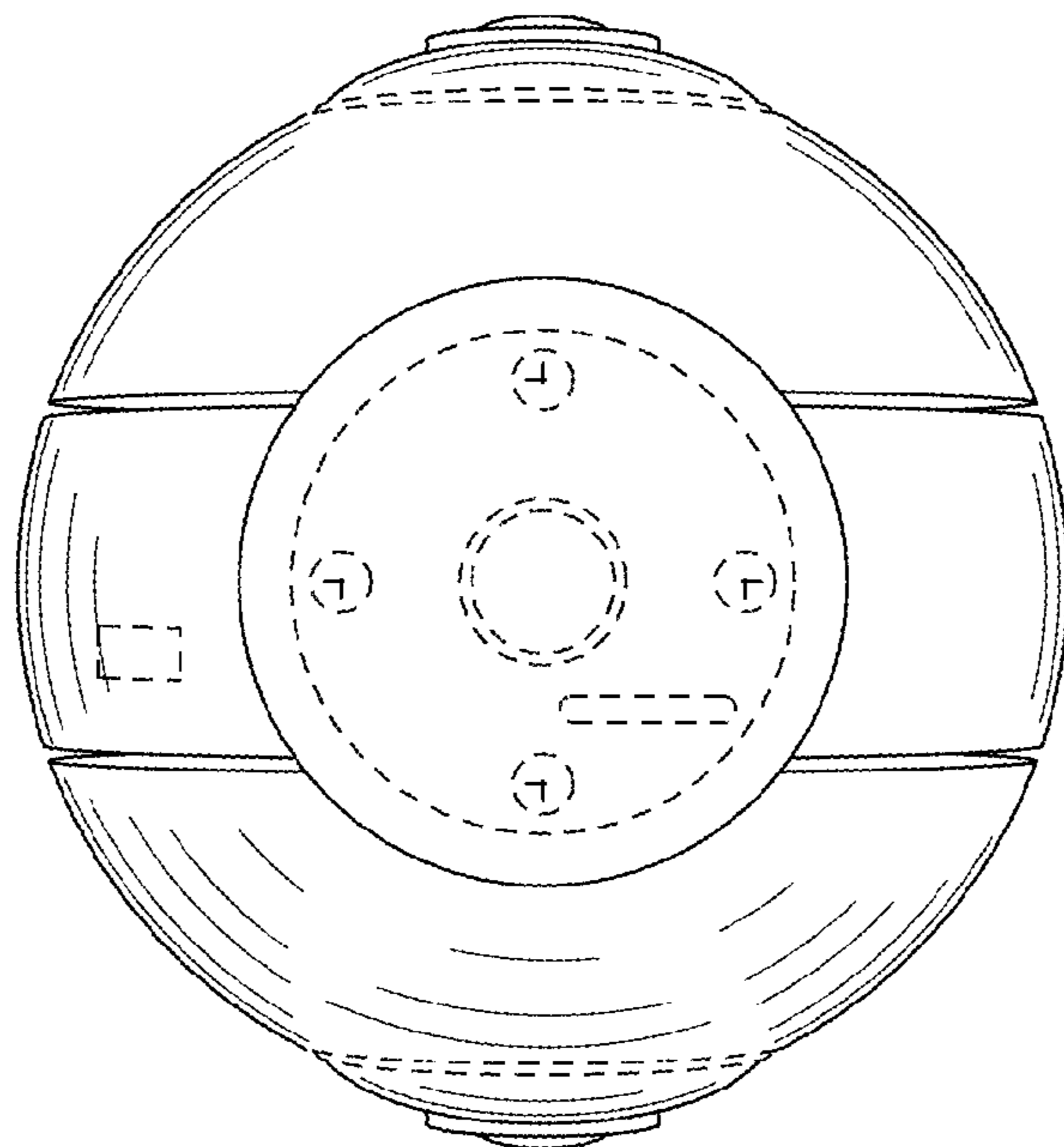


FIG. 7