



US00D742954S

(12) **United States Design Patent**
Simonelli et al.

(10) **Patent No.:** **US D742,954 S**

(45) **Date of Patent:** **** Nov. 10, 2015**

(54) **SURVEILLANCE CAMERA**

(56) **References Cited**

U.S. PATENT DOCUMENTS

(71) Applicant: **MyFox**, Labege (FR)

D534,937 S *	1/2007	Lee	D16/203
D657,410 S *	4/2012	Helaoui	D16/203
D677,297 S *	3/2013	Bart	D16/203
D679,309 S *	4/2013	Park	D16/218
D694,305 S *	11/2013	Katori	D16/203
D719,205 S *	12/2014	Matsumoto	D16/202
D729,296 S *	5/2015	Shelton	D16/202
D729,859 S *	5/2015	Shin	D16/203
D733,780 S *	7/2015	Chen	D16/202
D734,801 S *	7/2015	Yang	D16/202
D736,294 S *	8/2015	Scalisi	D16/203

(72) Inventors: **Manuela Simonelli**, Paris (FR); **Andrea Quaglio**, Paris (FR)

(73) Assignee: **MYFOX**, Labege (FR)

(**) Term: **14 Years**

* cited by examiner

(21) Appl. No.: **29/507,172**

Primary Examiner — Adir Aronovich

Assistant Examiner — Ramzi Almatrahi

(22) Filed: **Oct. 24, 2014**

(74) *Attorney, Agent, or Firm* — Abelman, Frayne & Schwab

(30) **Foreign Application Priority Data**

(57) **CLAIM**

The ornamental design for a surveillance camera, as shown and described.

Jun. 12, 2014 (EM) 002481176-0001

DESCRIPTION

(51) **LOC (10) Cl.** **16-01**

(52) **U.S. Cl.**
USPC **D16/203**

(58) **Field of Classification Search**
USPC D16/200, 202–206, 208, 218, 219, 242;
348/143, 148, 151, 373–376; 396/419,
396/427, 535, 539–541
CPC G03B 17/02; G03B 19/04; G03B 17/56;
G03B 17/04; G03B 15/03; H04N 5/2251;
H04N 5/2252; H04N 5/2253; H04N 5/2254;
H04N 7/181; H04N 7/183; H04N 7/18;
G08B 13/1963; G08B 13/19619; G08B
13/19632; F16M 11/04; F16M 13/00

FIG. 1 is a front perspective view of a surveillance camera showing our new design;
FIG. 2 is a front elevation view thereof, showing a camera door in an open position;
FIG. 3 is a front elevation view thereof, showing a camera door in a closed position;
FIG. 4 is a rear elevation view thereof;
FIG. 5 is a bottom plan view thereof;
FIG. 6 is a top plan view thereof; and,
FIG. 7 is a side elevation view thereof.

The broken lines in the drawing are included for the purpose of illustrating environmental subject matter and form no part of the claimed design.

See application file for complete search history.

1 Claim, 7 Drawing Sheets

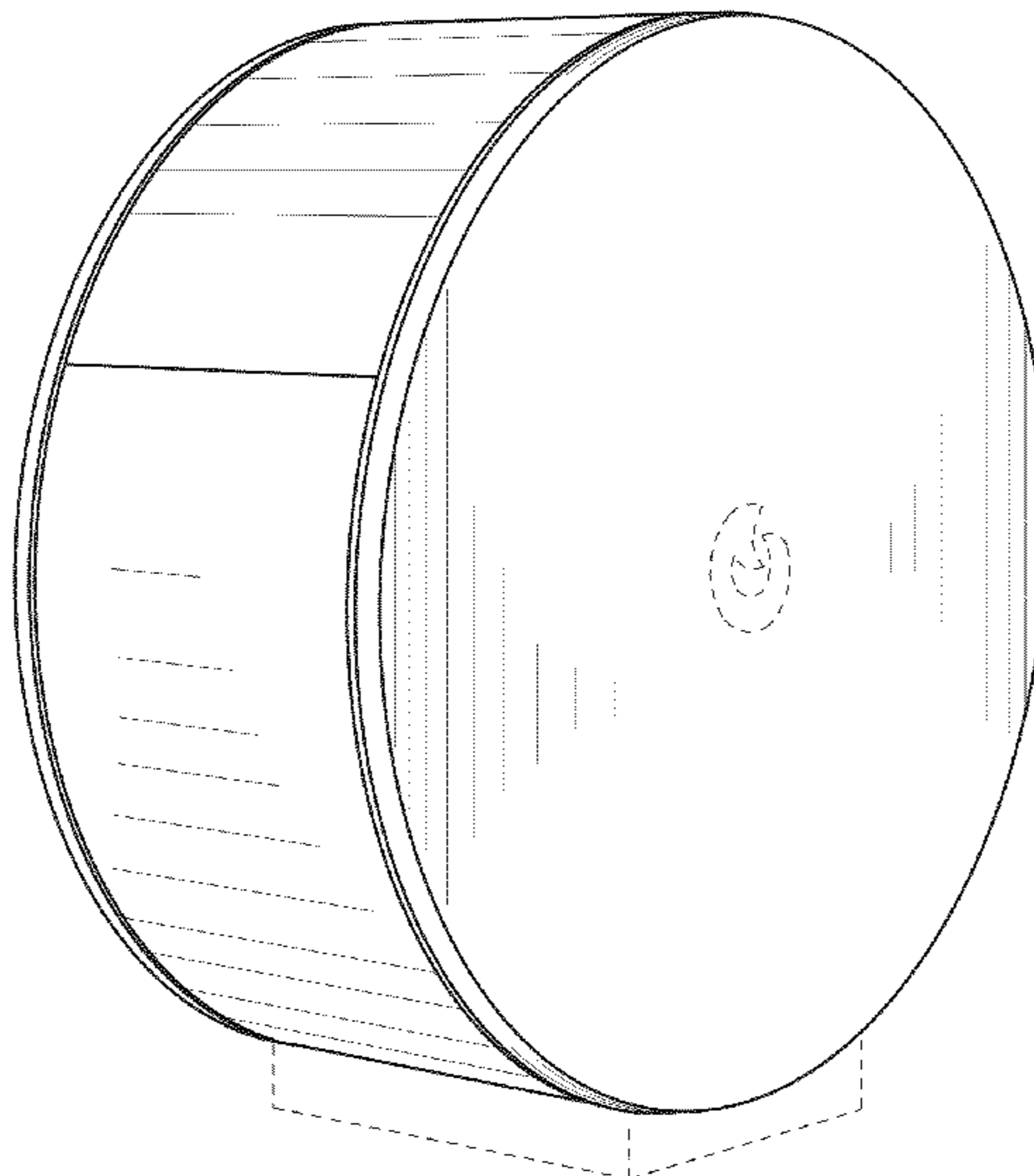


Fig. 1

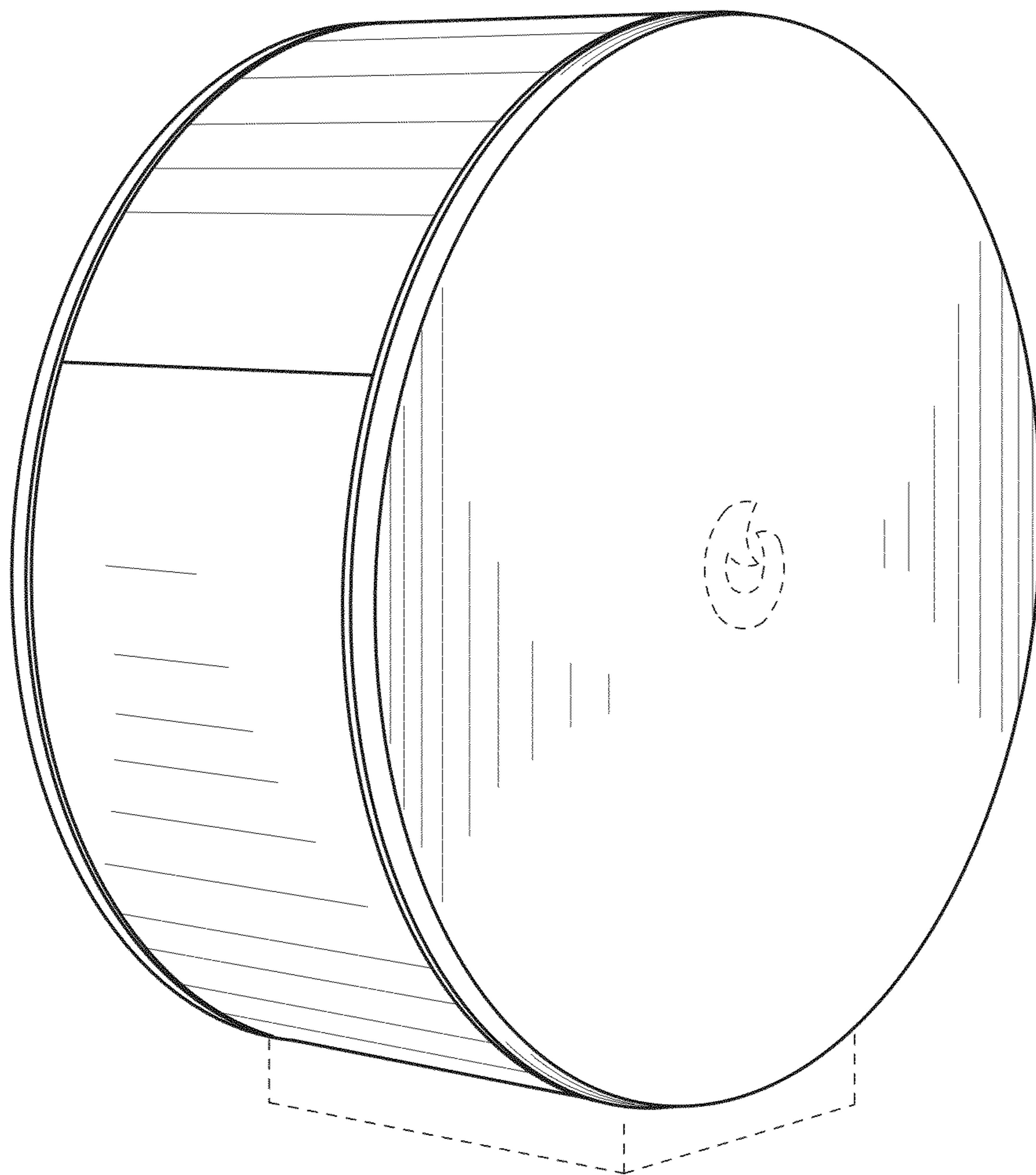


Fig. 2

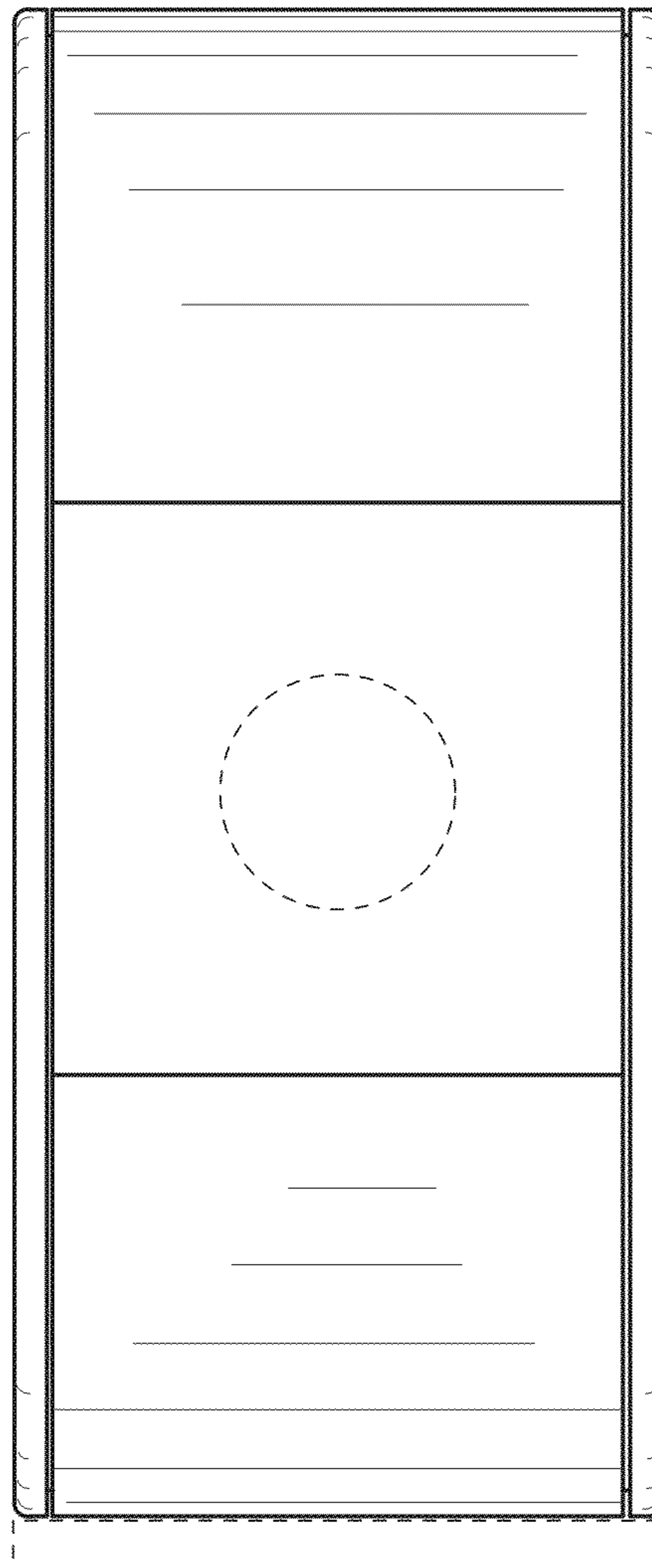


Fig. 3

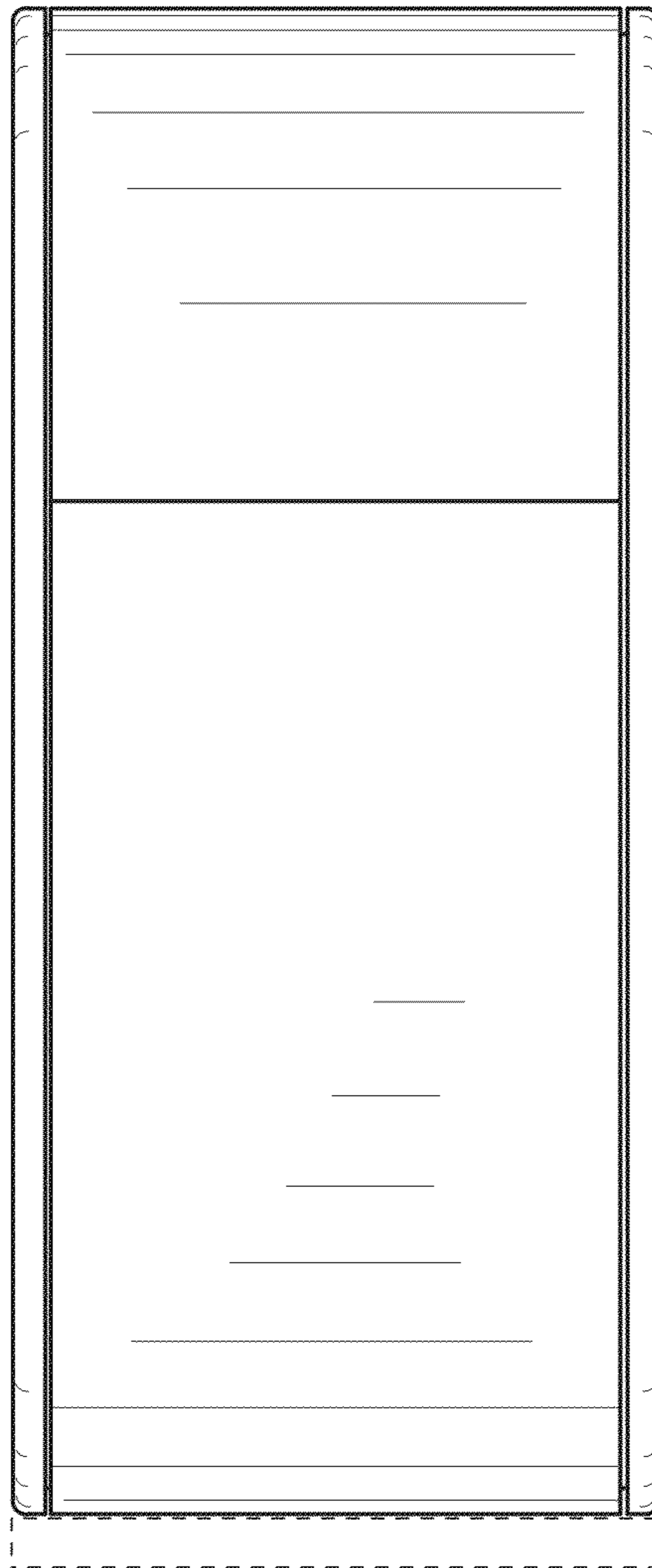


Fig. 4

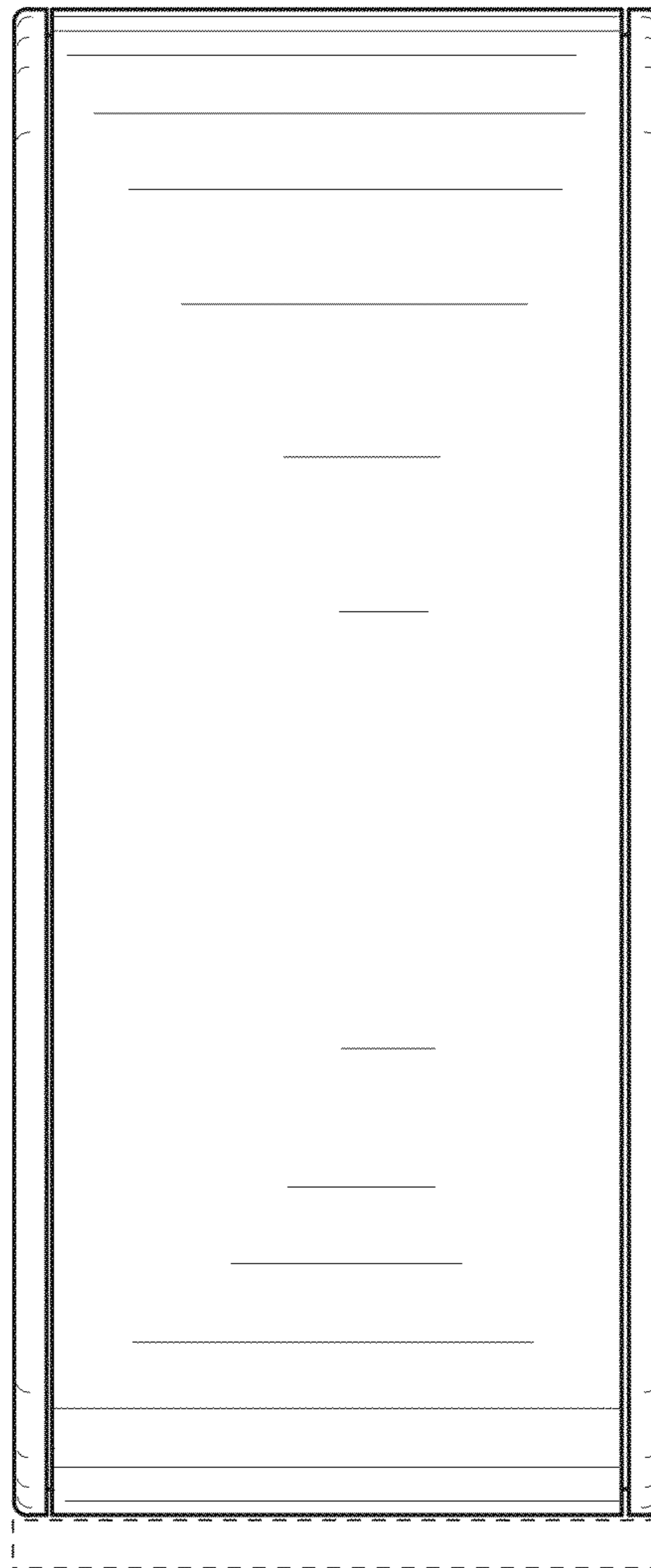


Fig. 5

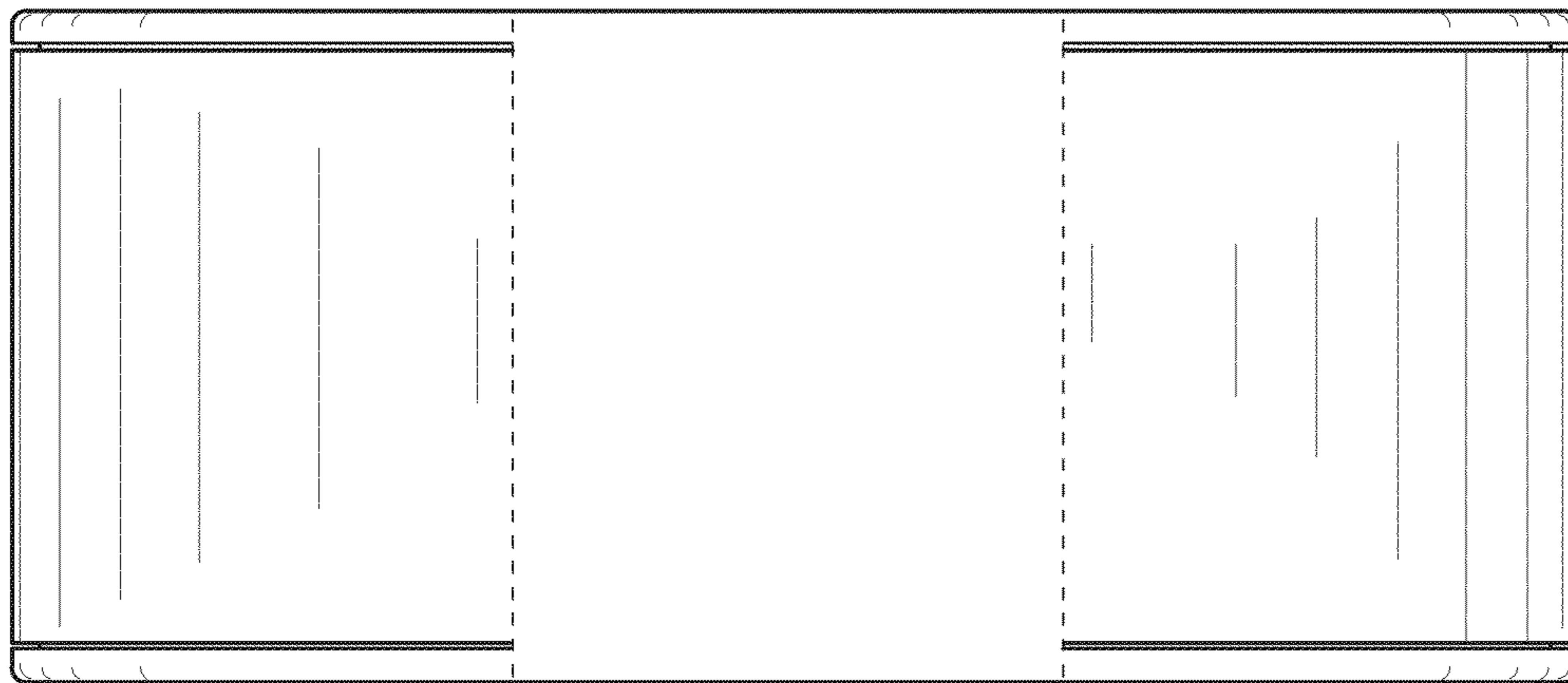


Fig. 6

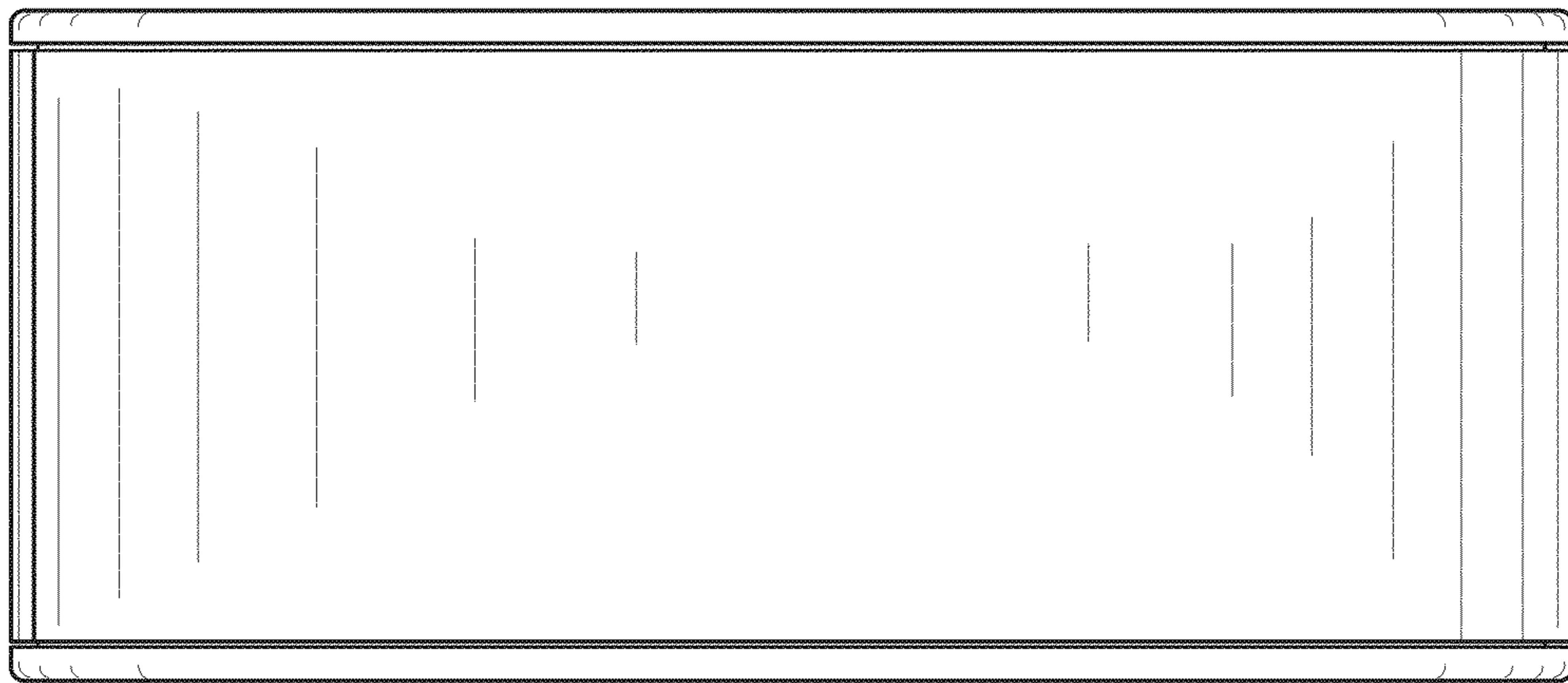


Fig. 7

