



US00D742953S

(12) **United States Design Patent**
Li

(10) **Patent No.:** **US D742,953 S**

(45) **Date of Patent:** **** Nov. 10, 2015**

(54) **CAR CAMERA**

(71) Applicant: **GETAC TECHNOLOGY CORPORATION**, Hsinchu County (TW)

(72) Inventor: **Chun-Hsing Li**, Taipei (TW)

(73) Assignee: **Getac Technology Corporation**, Hsinchu County (TW)

(**) Term: **14 Years**

(21) Appl. No.: **29/510,114**

(22) Filed: **Nov. 25, 2014**

(51) **LOC (10) Cl.** **16-01**

(52) **U.S. Cl.**
USPC **D16/202**

(58) **Field of Classification Search**
USPC D16/200, 202, 203, 205, 218, 219;
348/143, 373-376; 396/427, 535-541
CPC . H04N 5/2251; H04N 5/2252; H04N 5/2253;
H04N 5/2254
See application file for complete search history.

(56) **References Cited**

U.S. PATENT DOCUMENTS

D373,593 S * 9/1996 Hiroko D16/202
D426,844 S * 6/2000 Fujii D16/202

D470,520 S * 2/2003 Yamakawa D16/203
D489,744 S * 5/2004 Muto D16/203
D529,063 S * 9/2006 Cheng D16/203
D540,360 S * 4/2007 Yamakawa D16/203
7,221,402 B2 * 5/2007 Cheng H04N 5/2254
348/375
D563,450 S * 3/2008 Cheng D16/200
D614,222 S * 4/2010 Yamakawa D16/203
7,859,592 B2 * 12/2010 Takahashi H04N 5/222
D666,660 S * 9/2012 Amit D16/203
D694,307 S * 11/2013 Isozaki D16/203
D711,953 S * 8/2014 Isozaki D16/202

* cited by examiner

Primary Examiner — Adir Aronovich

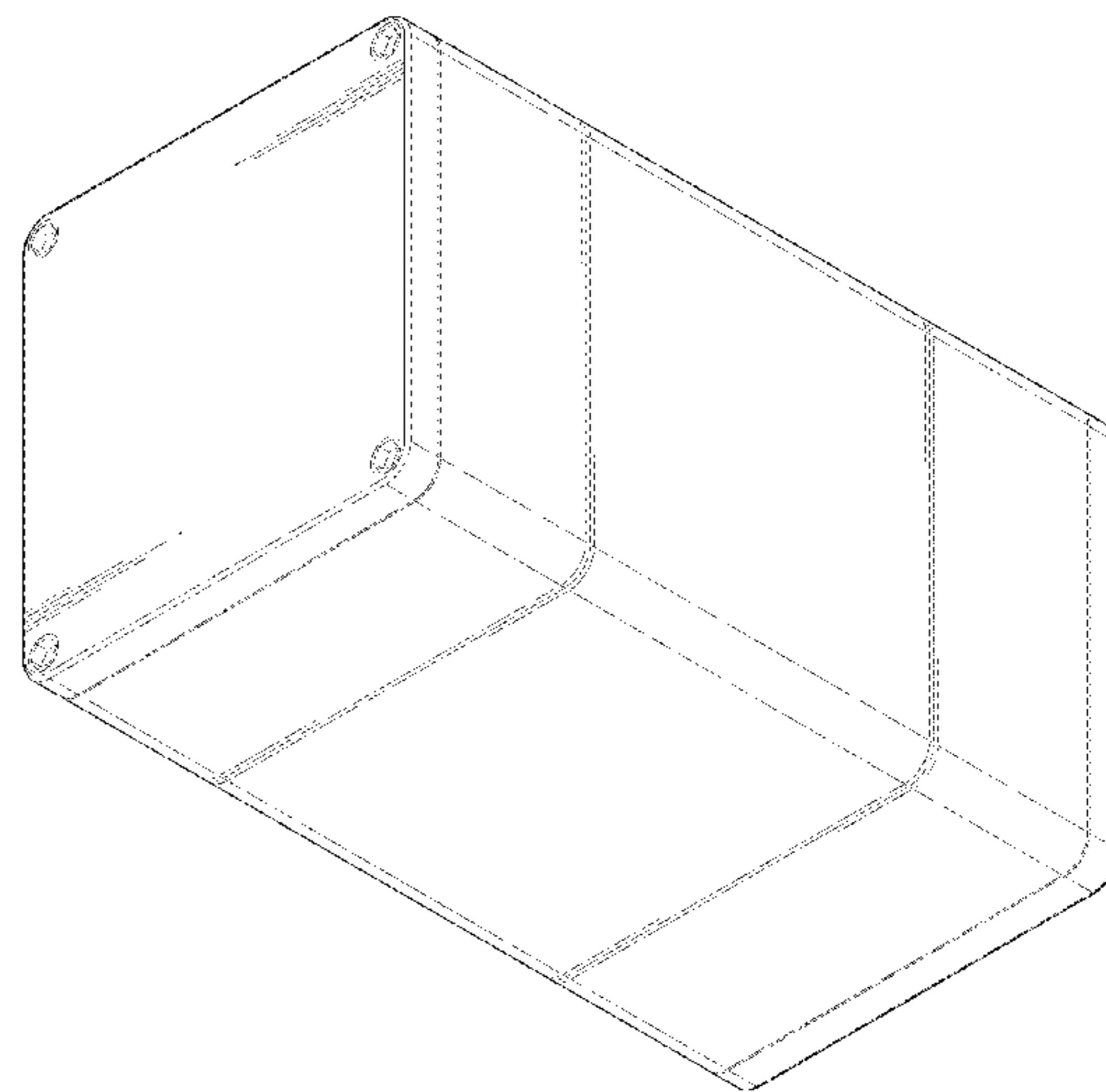
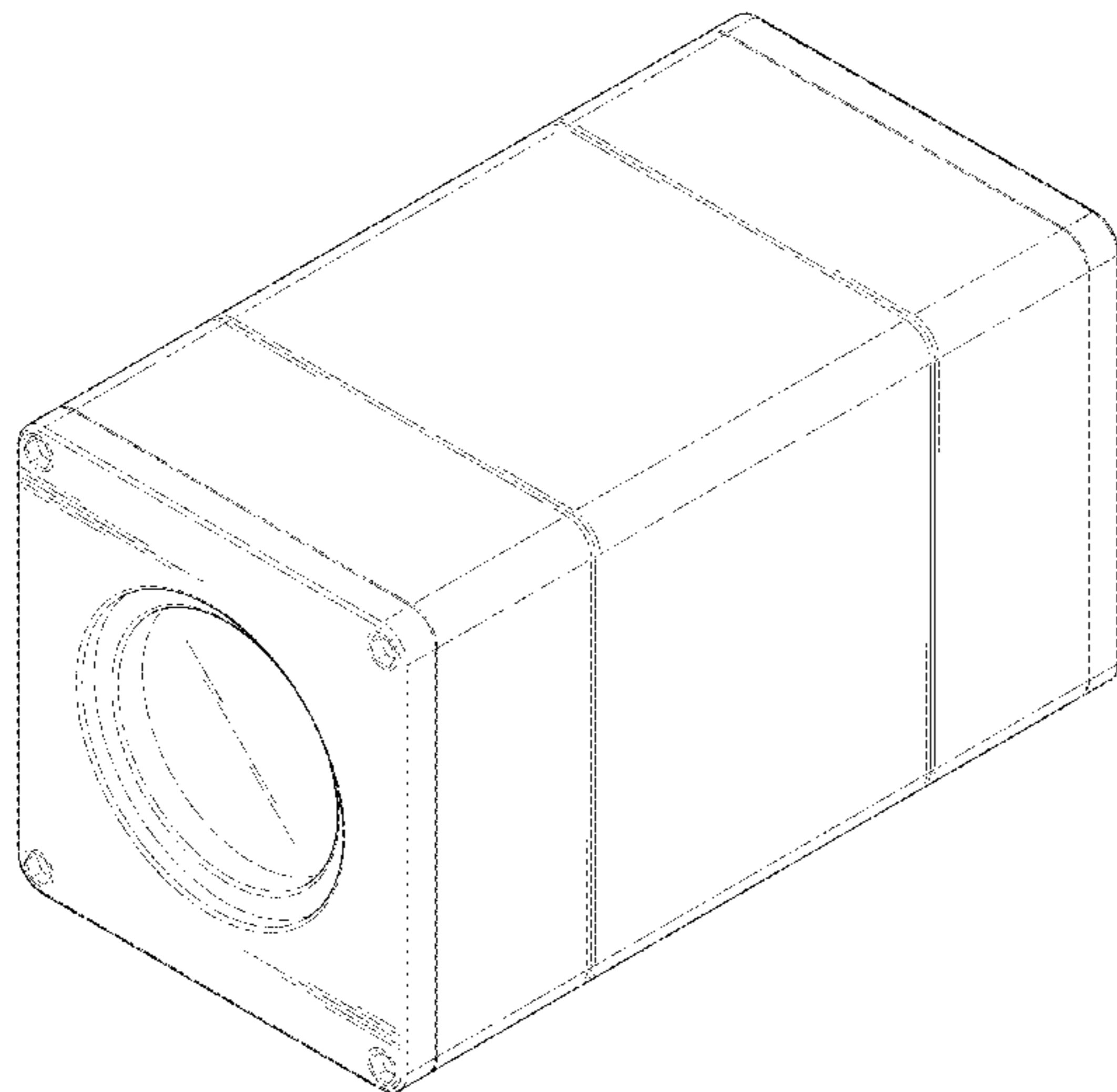
(57) **CLAIM**

The ornamental design for a car camera, as shown and described.

DESCRIPTION

FIG. 1 is a top, front and left side perspective view of a car camera showing my new design;
FIG. 2 is a bottom, rear and right side perspective view thereof;
FIG. 3 is a front elevational view thereof;
FIG. 4 is a rear elevational view thereof;
FIG. 5 is left side elevational view thereof;
FIG. 6 is right side elevational view thereof;
FIG. 7 is a top plan view thereof; and,
FIG. 8 is a bottom plan view thereof.

1 Claim, 6 Drawing Sheets



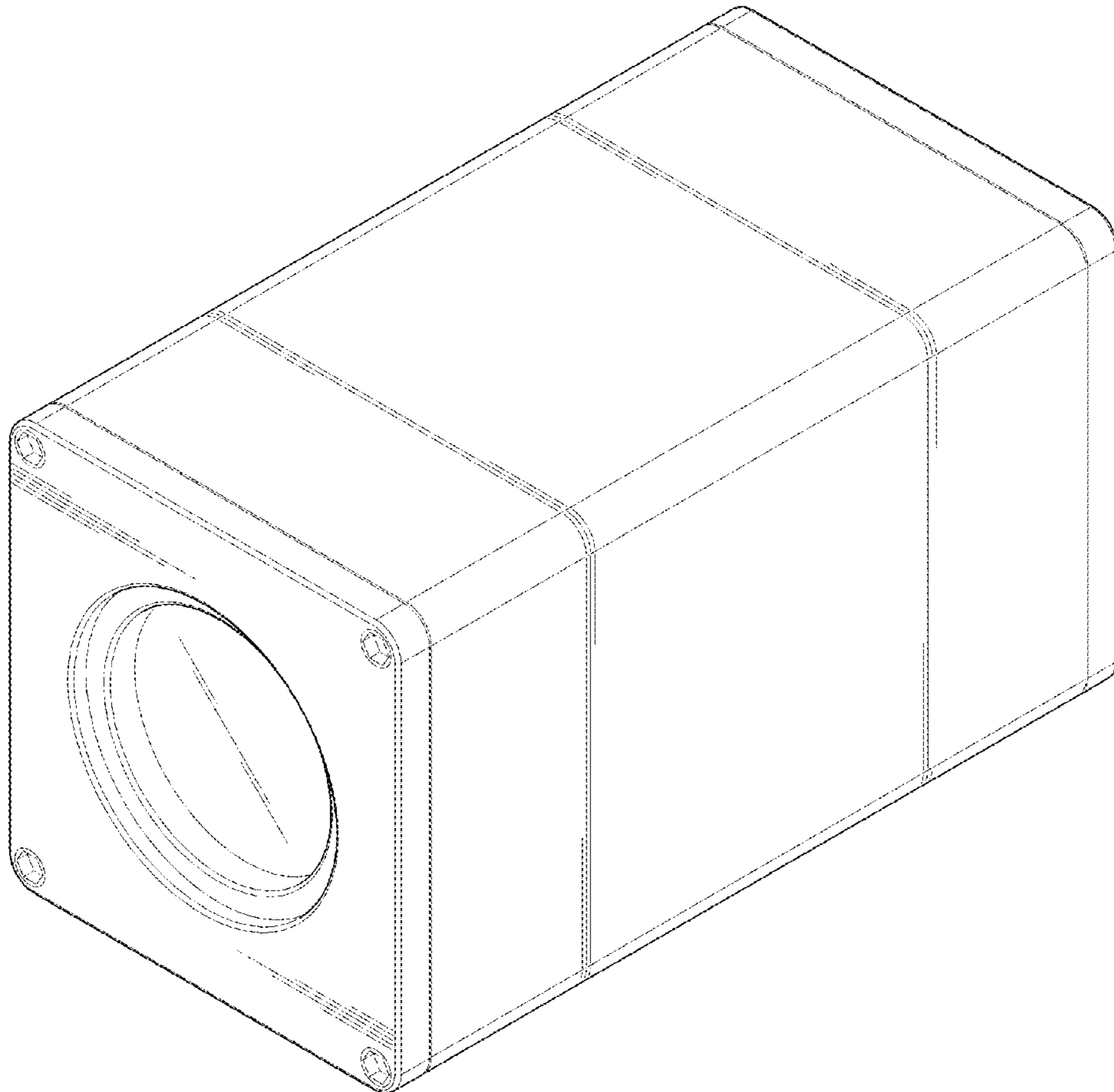


FIG.1

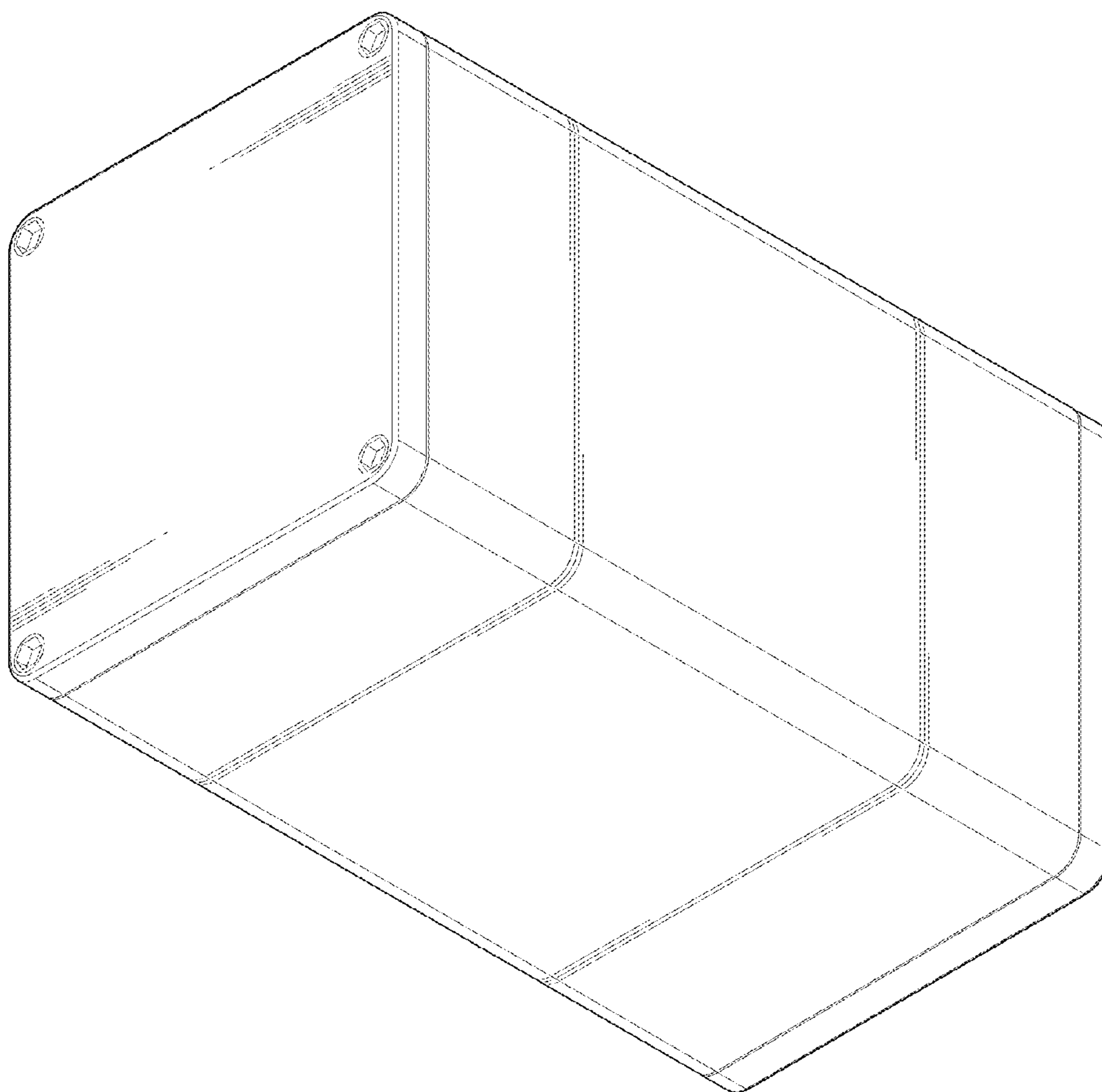


FIG.2

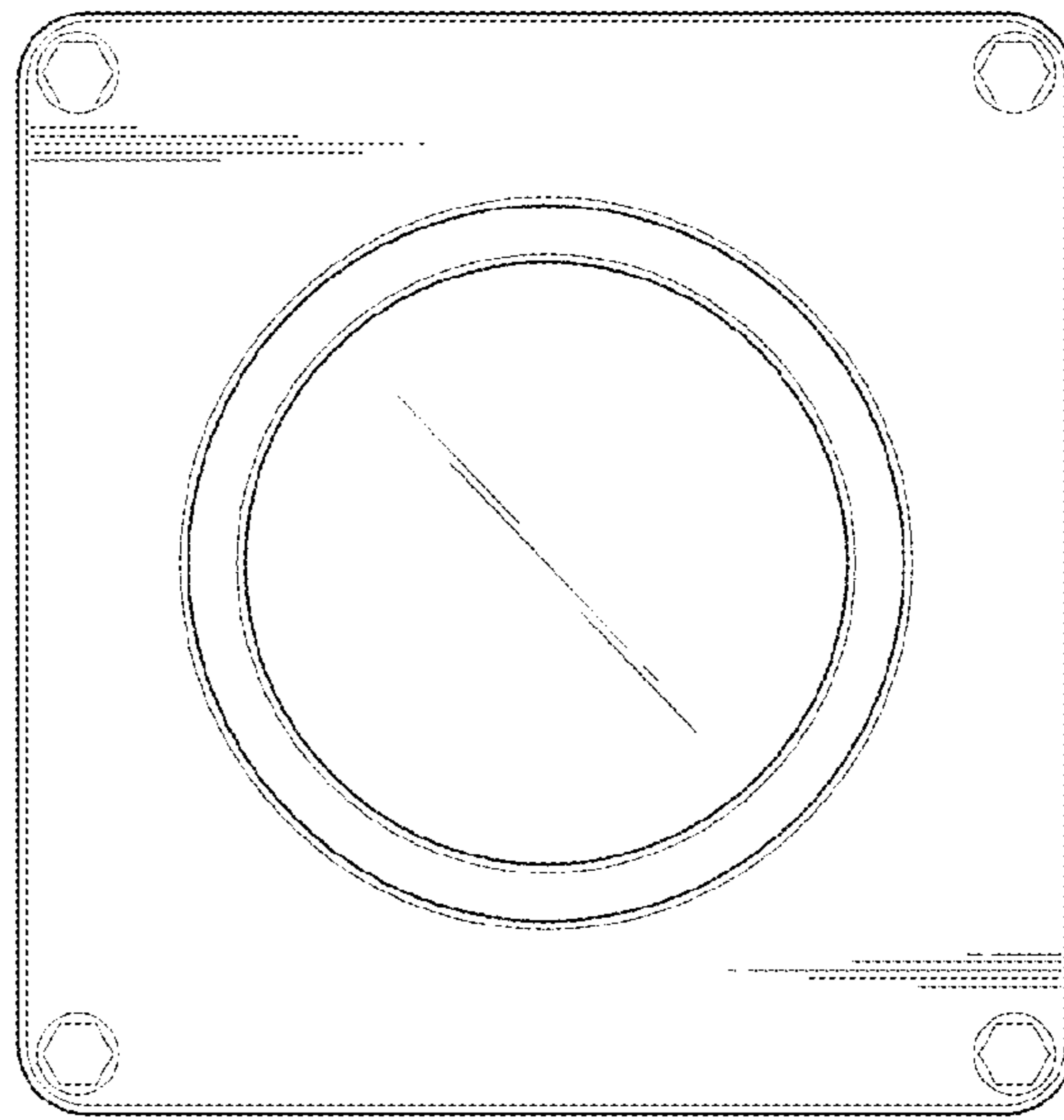


FIG.3

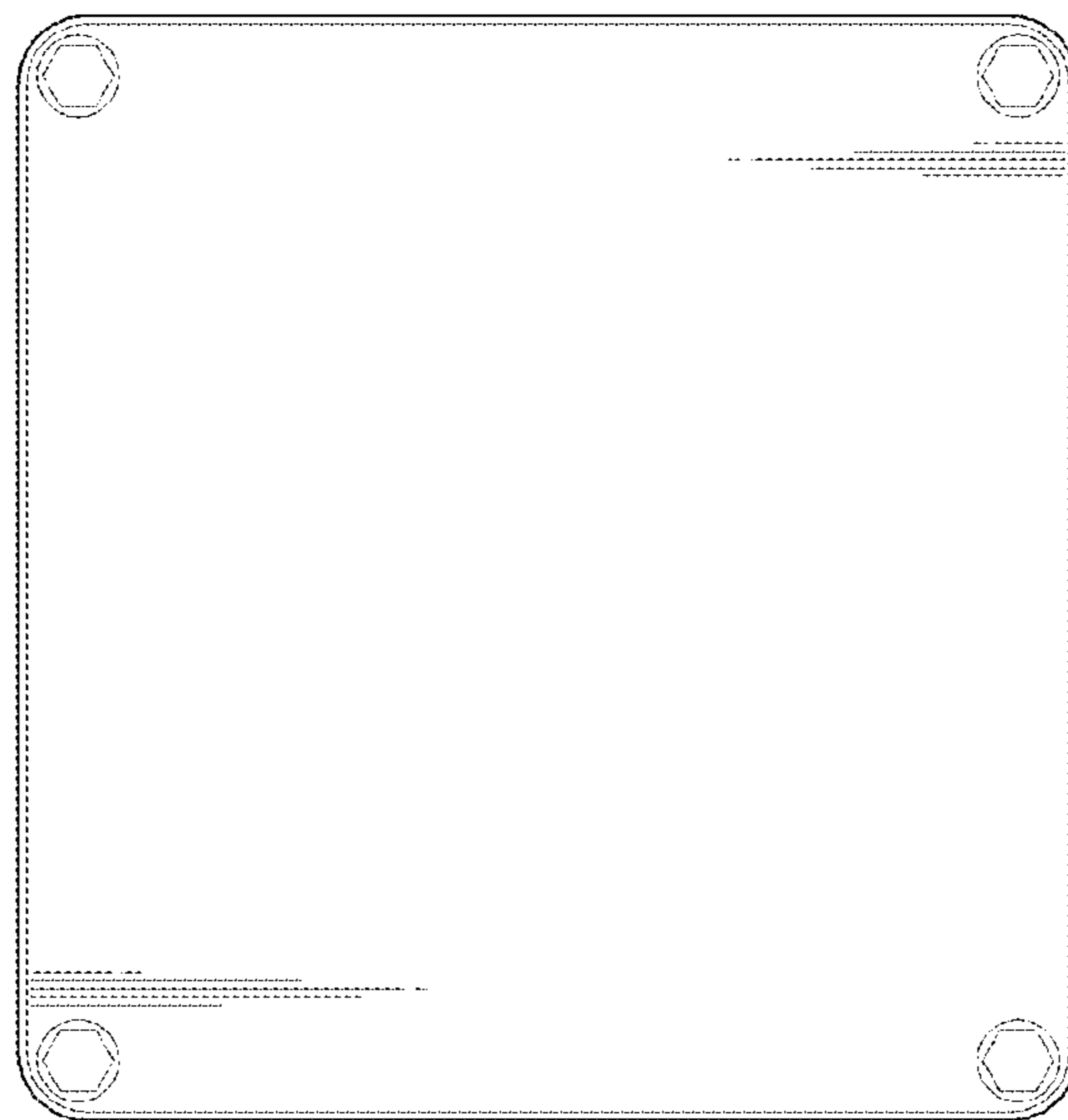


FIG.4

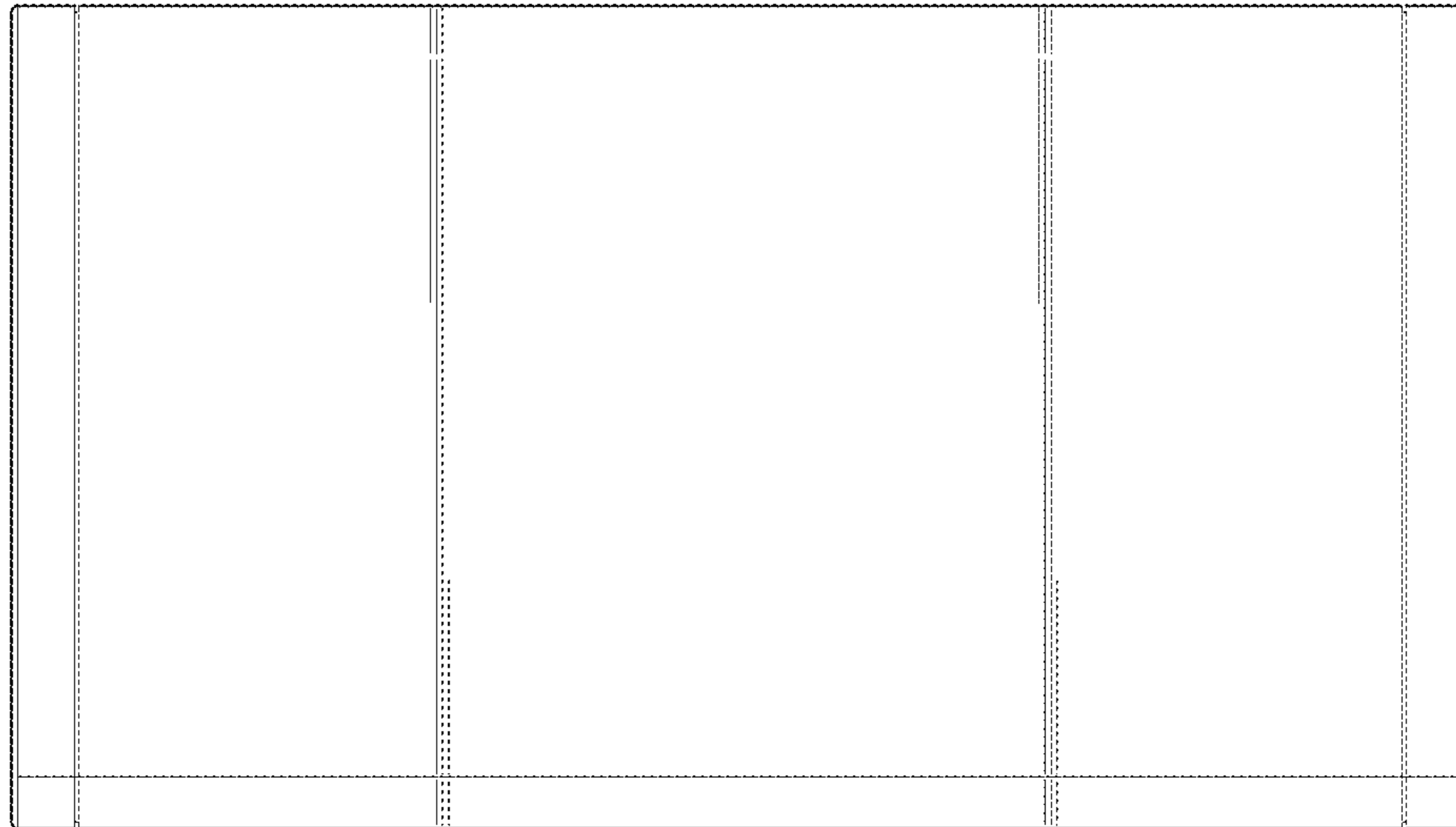


FIG.5

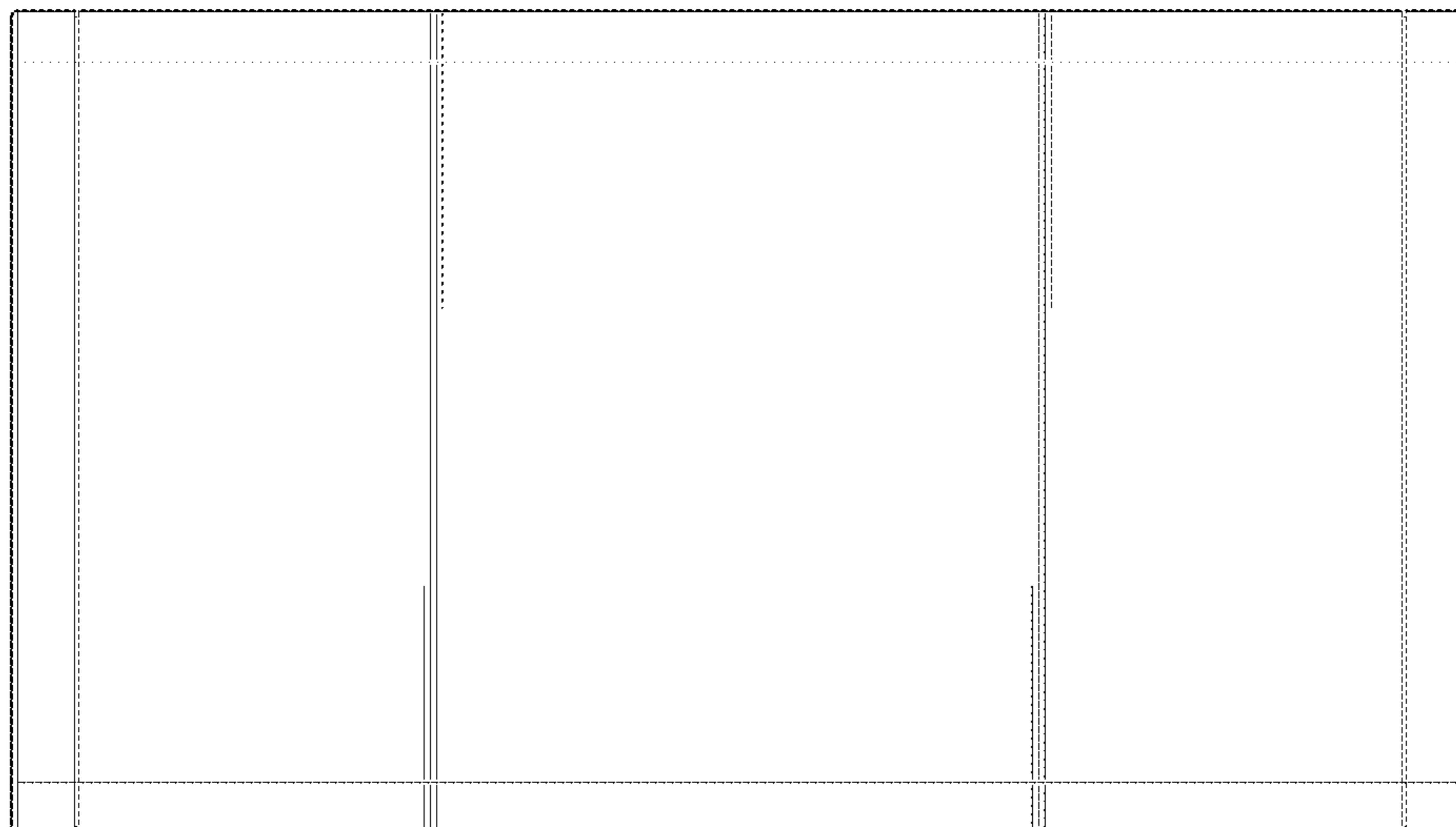


FIG.6

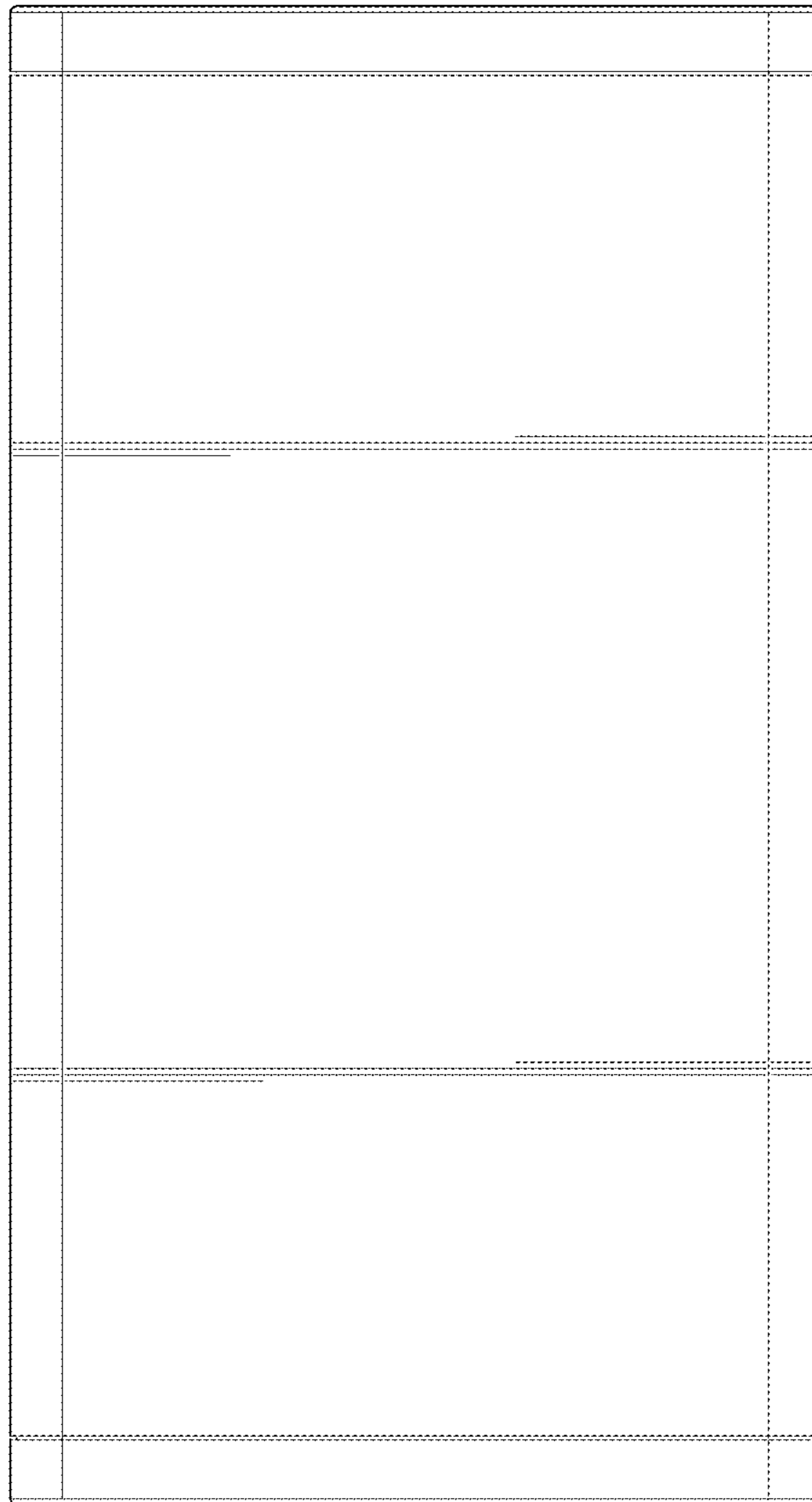


FIG. 7

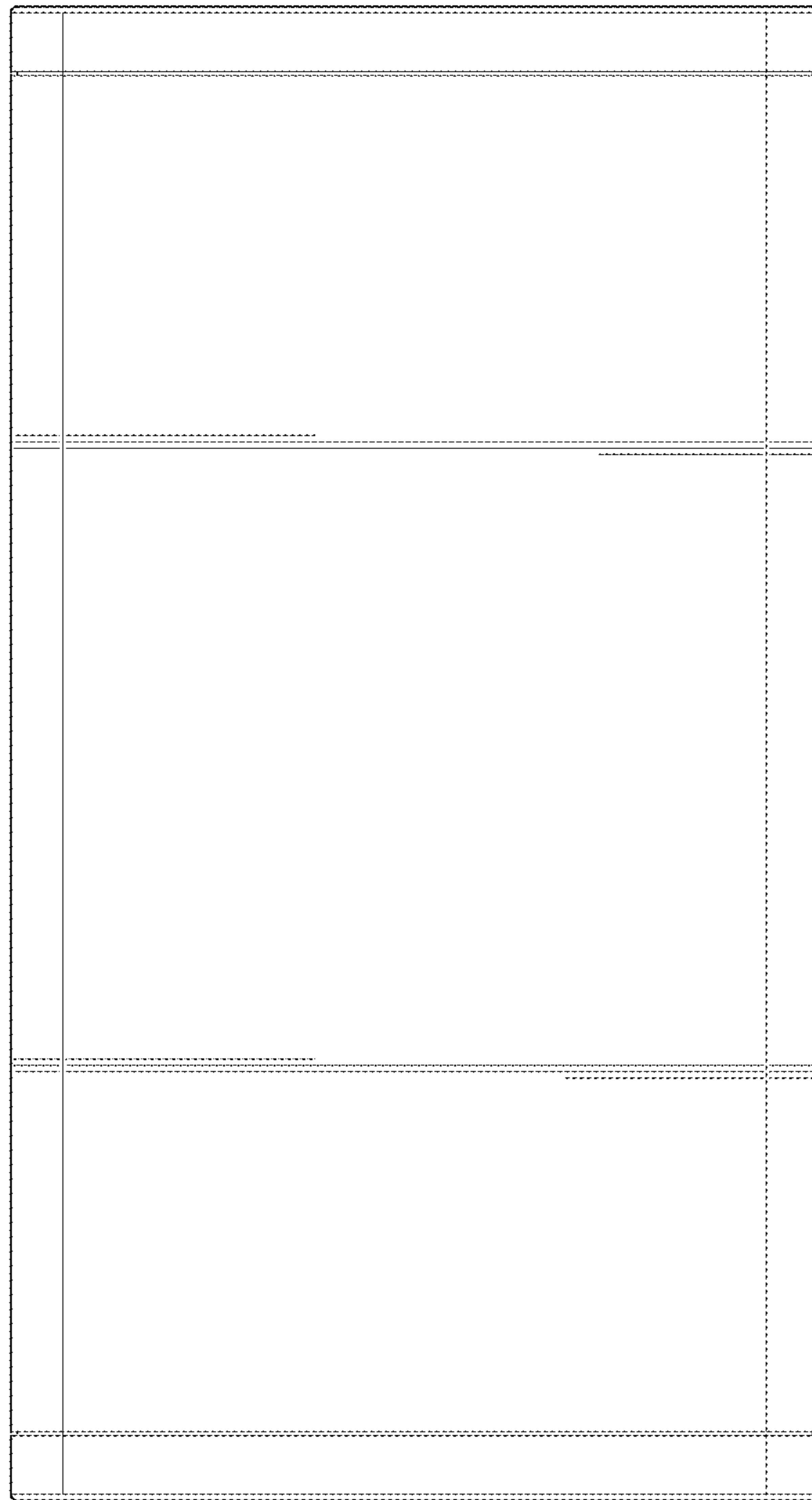


FIG.8