



US00D742952S

(12) **United States Design Patent**
Nakajima

(10) **Patent No.:** **US D742,952 S**
(45) **Date of Patent:** **** Nov. 10, 2015**

(54) **DIGITAL CAMERA**

D703,255 S * 4/2014 Sakai D16/202
D706,851 S * 6/2014 Sakai D16/202
D724,640 S * 3/2015 Ikegame D16/202

(71) Applicant: **Nikon Corporation**, Tokyo (JP)

(72) Inventor: **Ayumi Nakajima**, Kamakura (JP)

(73) Assignee: **Nikon Corporation**, Tokyo (JP)

(**) Term: **14 Years**

(21) Appl. No.: **29/498,361**

(22) Filed: **Aug. 1, 2014**

(30) **Foreign Application Priority Data**

Feb. 6, 2014 (JP) 2014-002416

(51) **LOC (10) Cl.** **16-01**

(52) **U.S. Cl.**
USPC **D16/202**

(58) **Field of Classification Search**
USPC D16/200, 202-206, 218, 219;
348/373-376; 396/535, 539-541
CPC G03B 15/03; G03B 17/02; G03B 17/04;
G03B 17/56; G03B 19/04; H04N 5/2251;
H04N 5/2252; H04N 5/2253; H04N 5/2254;
H04N 2101/00

See application file for complete search history.

(56) **References Cited**

U.S. PATENT DOCUMENTS

D570,889 S * 6/2008 Nakajima D16/202
7,860,390 B2 * 12/2010 Iwabuchi 396/535
7,978,264 B2 * 7/2011 Takahashi 348/374
D648,765 S * 11/2011 Tsukamoto D16/202
8,098,325 B2 * 1/2012 Kaneko et al. 348/374
D665,003 S * 8/2012 Sakai D16/202
8,488,008 B2 * 7/2013 Kaneko et al. 348/208.7

FOREIGN PATENT DOCUMENTS

JP 1433484 2/2012
JP 1433485 2/2012
JP 1450853 9/2012

OTHER PUBLICATIONS

Website, http://www.nikon.com/news/2013/0129_cox_02.htm;
Release Date: Jan. 29, 2013, Published: Nikon Corporation, Title:
Digital Compact Camera Nikon COOLPIX AW110/AW110s, pp.
1-5.

* cited by examiner

Primary Examiner — Adir Aronovich

(74) *Attorney, Agent, or Firm* — Wolf, Greenfield & Sacks,
P.C.

(57) **CLAIM**

The ornamental design for a digital camera, as shown and
described.

DESCRIPTION

FIG. 1 is a front, top and right side perspective view of a
digital camera showing my new design;
FIG. 2 is a rear, top and left side perspective view thereof;
FIG. 3 is a front elevational view thereof;
FIG. 4 is a rear elevational view thereof;
FIG. 5 is a top plan view thereof;
FIG. 6 is a bottom plan view thereof;
FIG. 7 is a right side elevational view thereof;
FIG. 8 is a left side elevational view thereof; and,
FIG. 9 is an enlarged cross-sectional view of an upper portion
of the article taken along line 9-9 in FIG. 5.

1 Claim, 9 Drawing Sheets

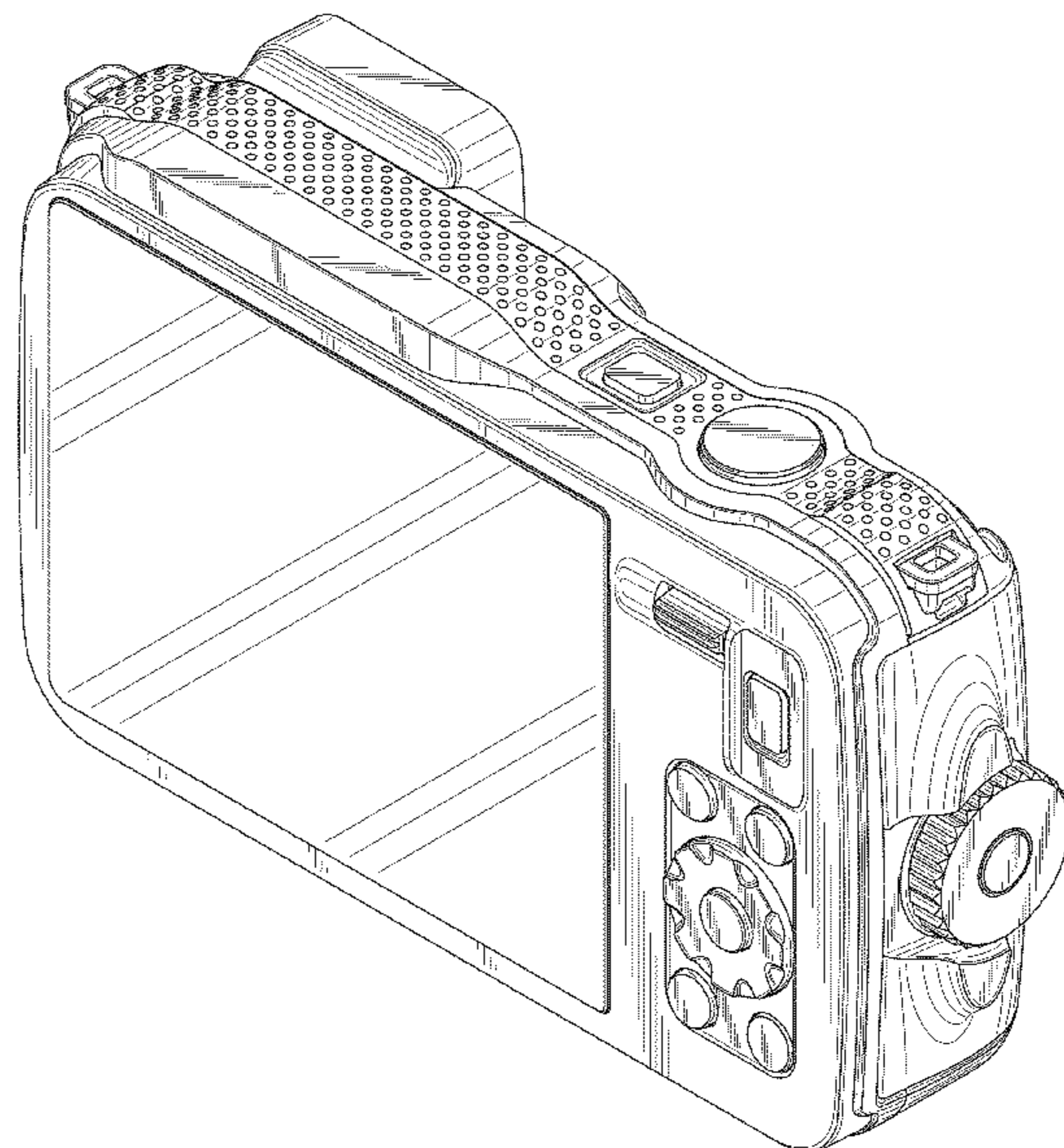
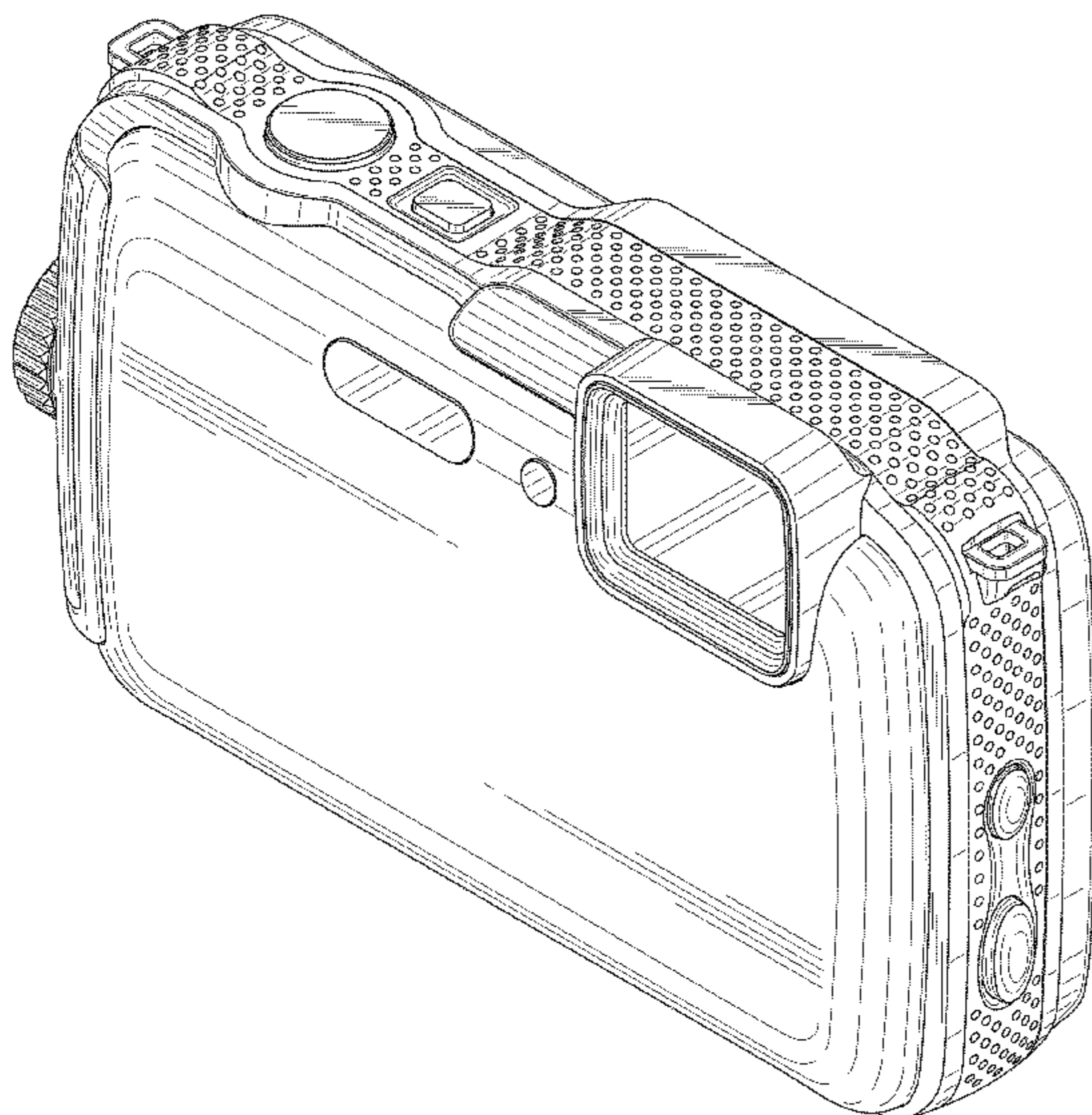


FIG. 1

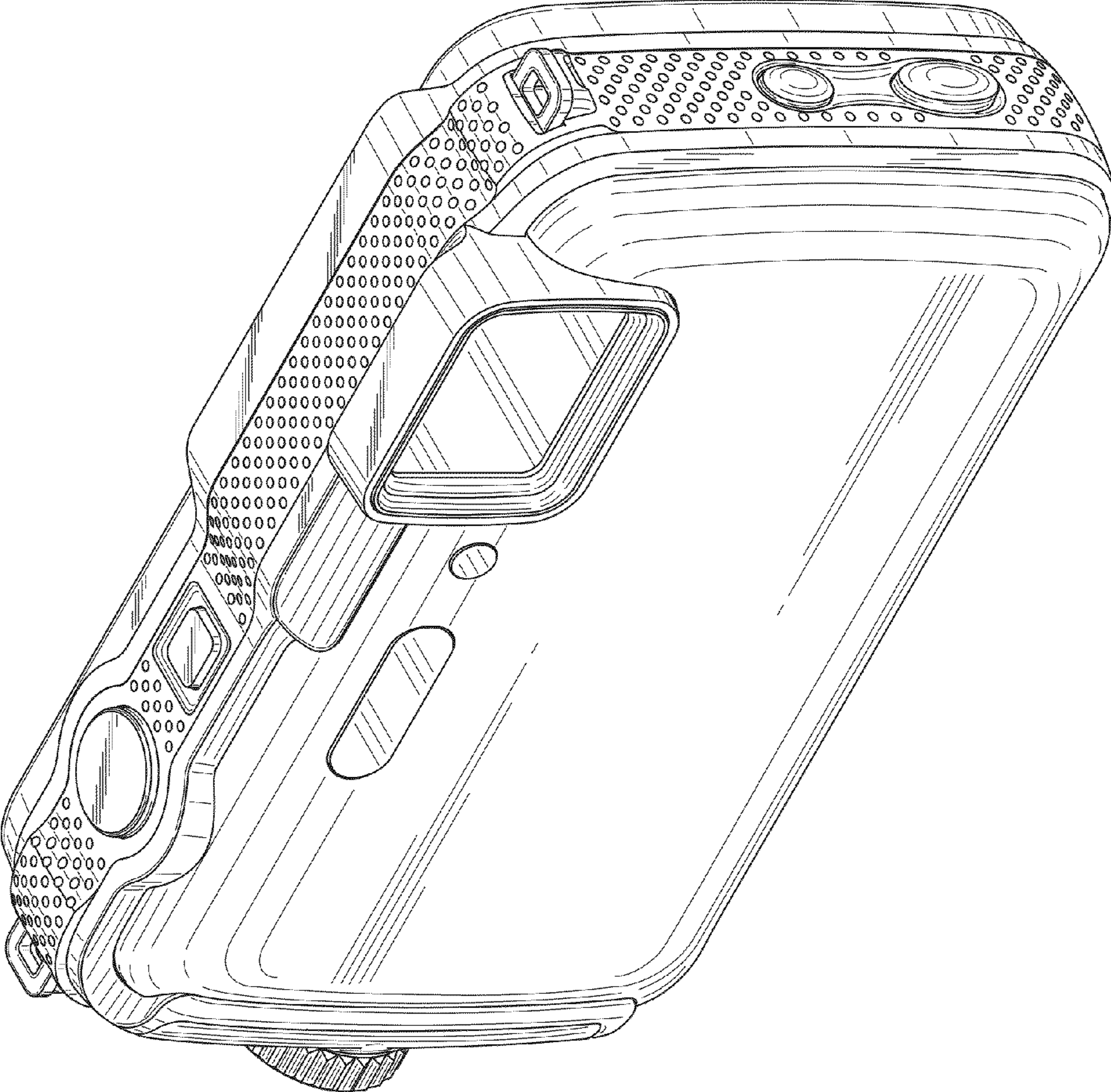


FIG. 2

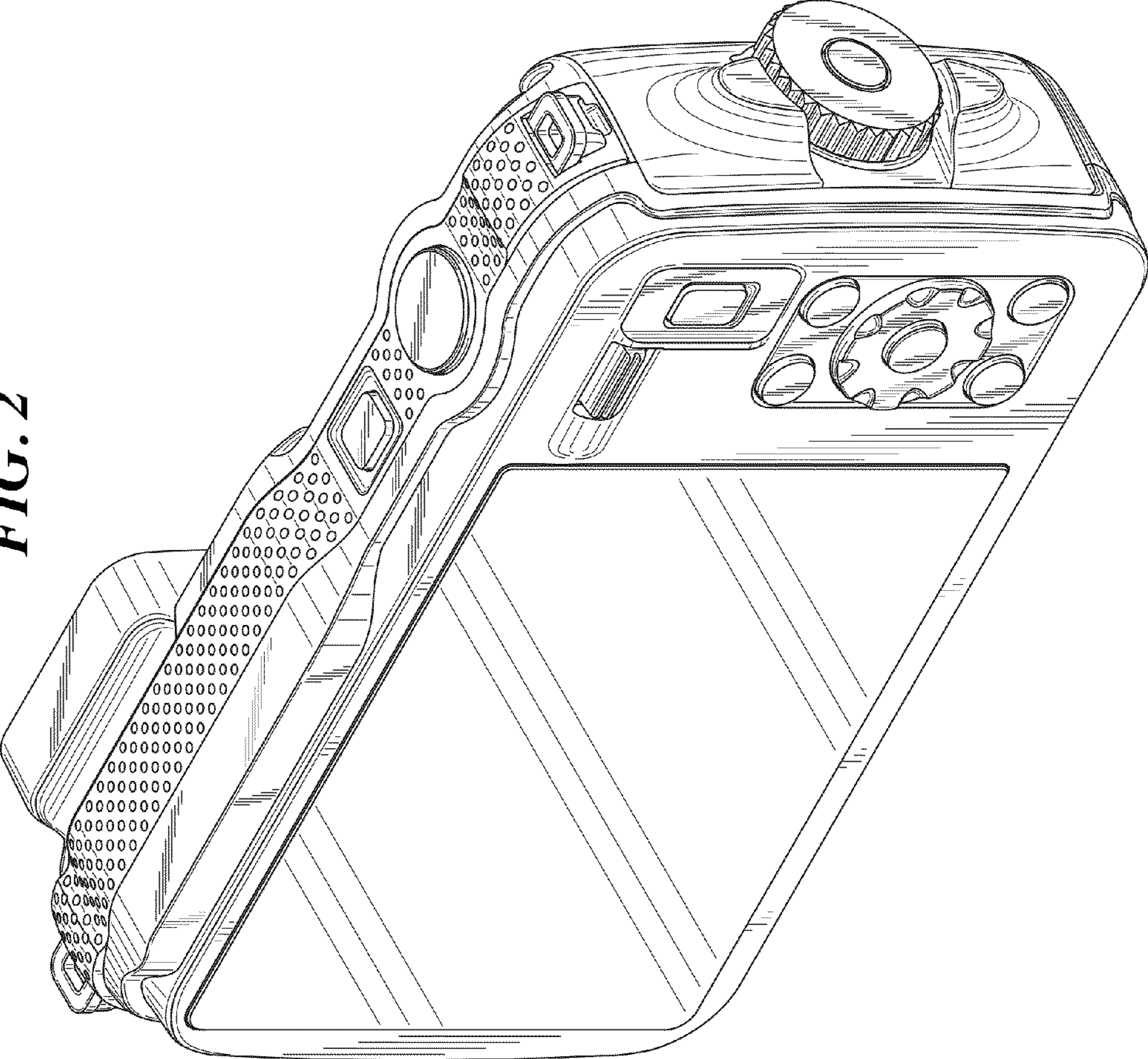


FIG. 3

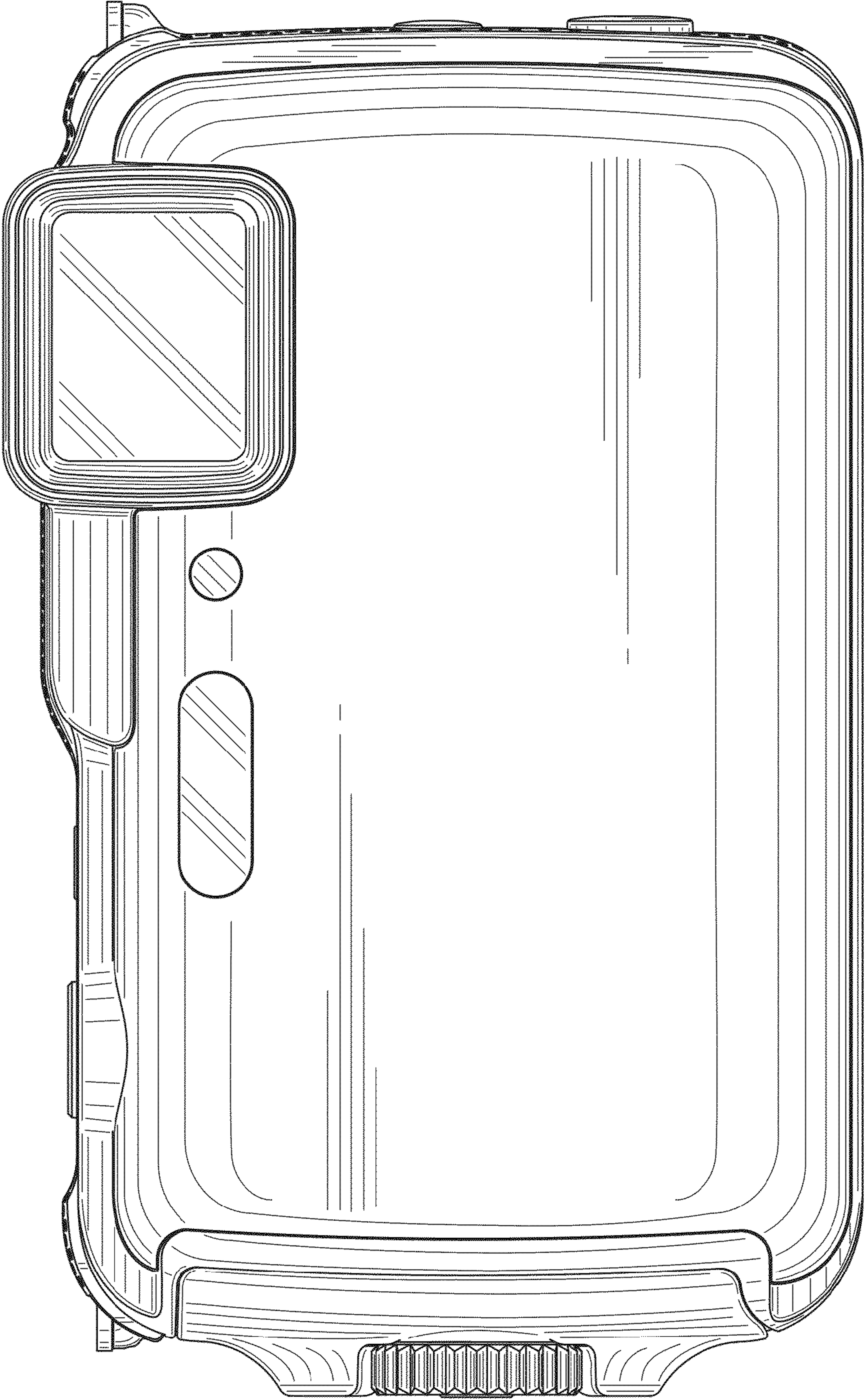


FIG. 4

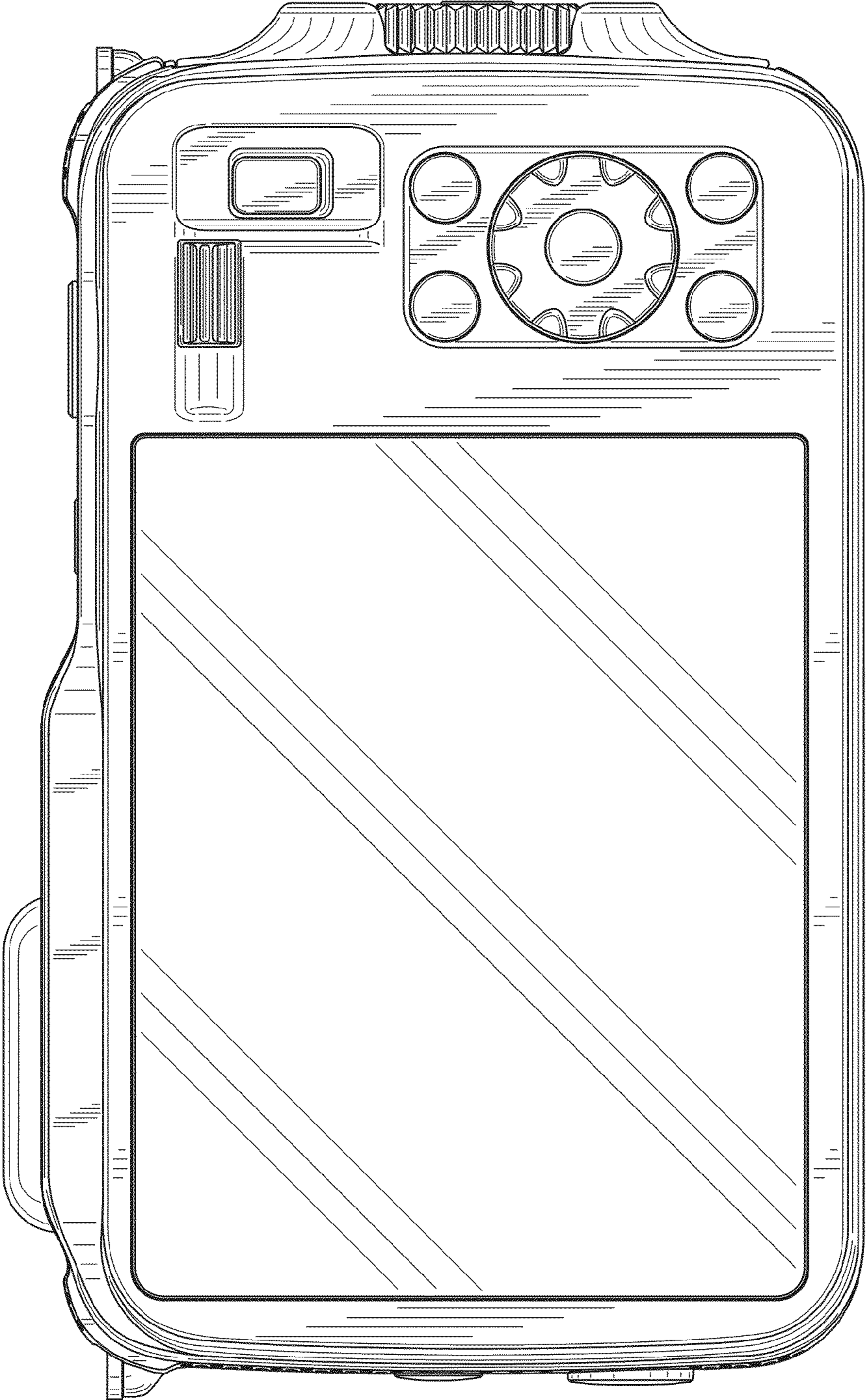


FIG. 5

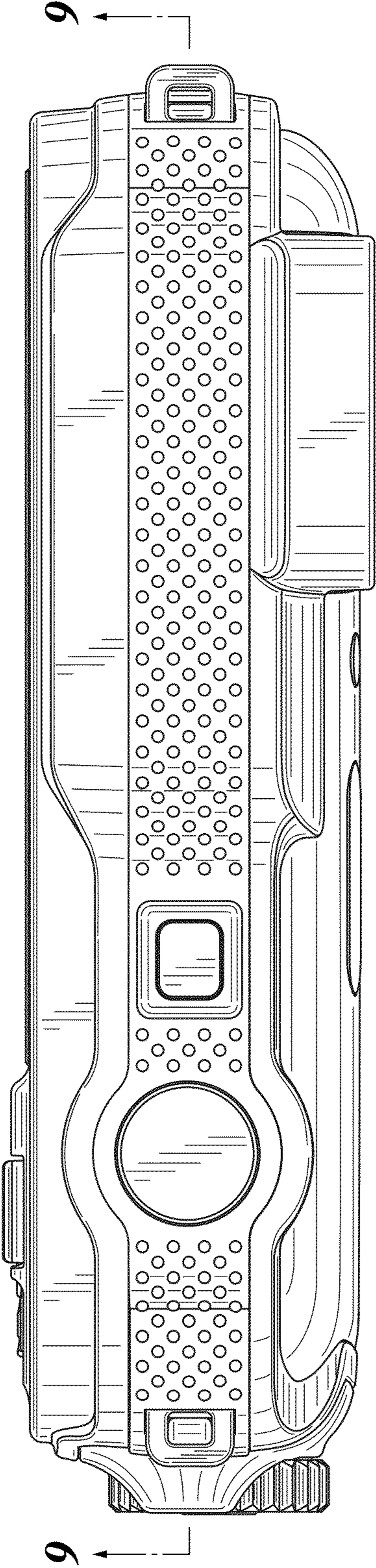


FIG. 6

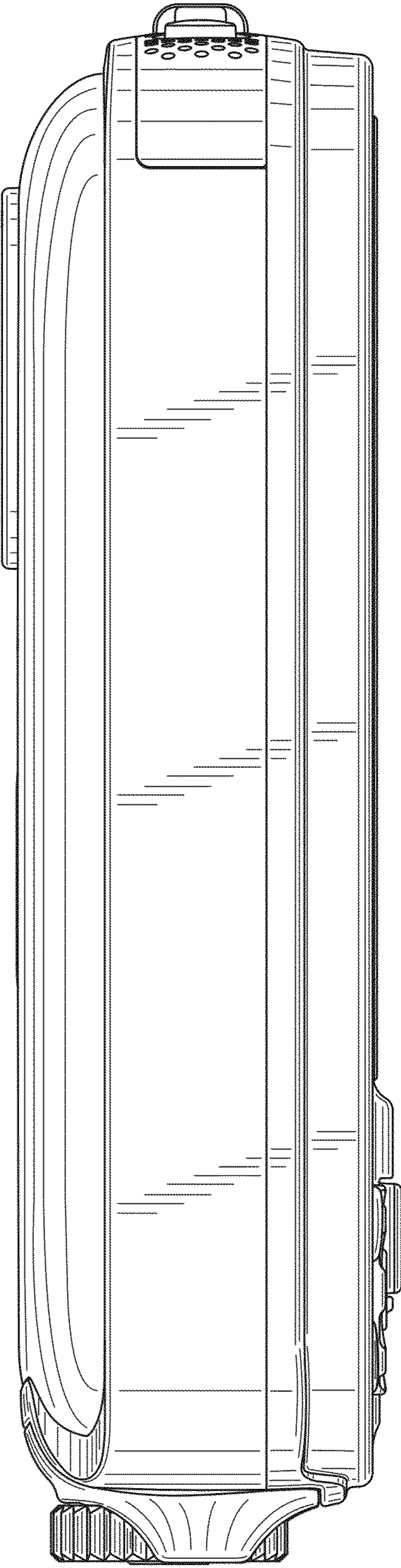


FIG. 7

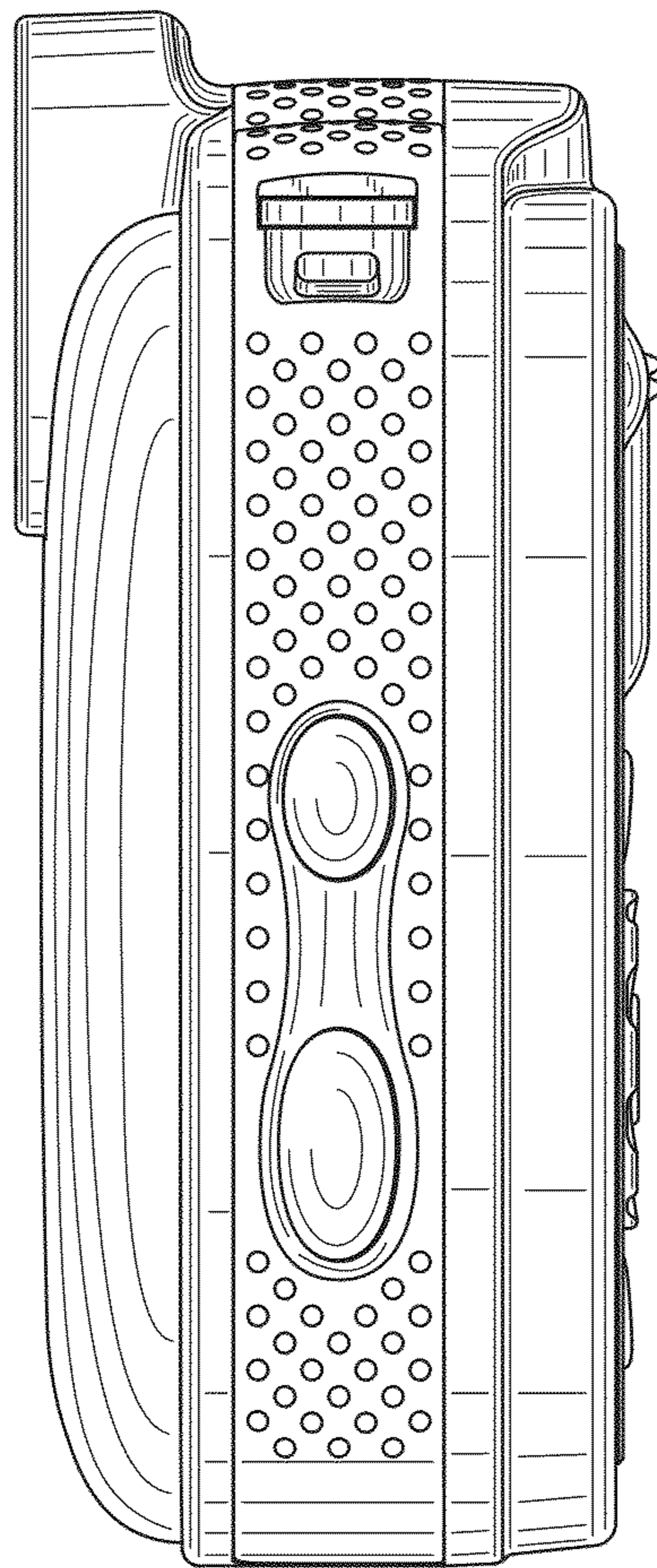


FIG. 8

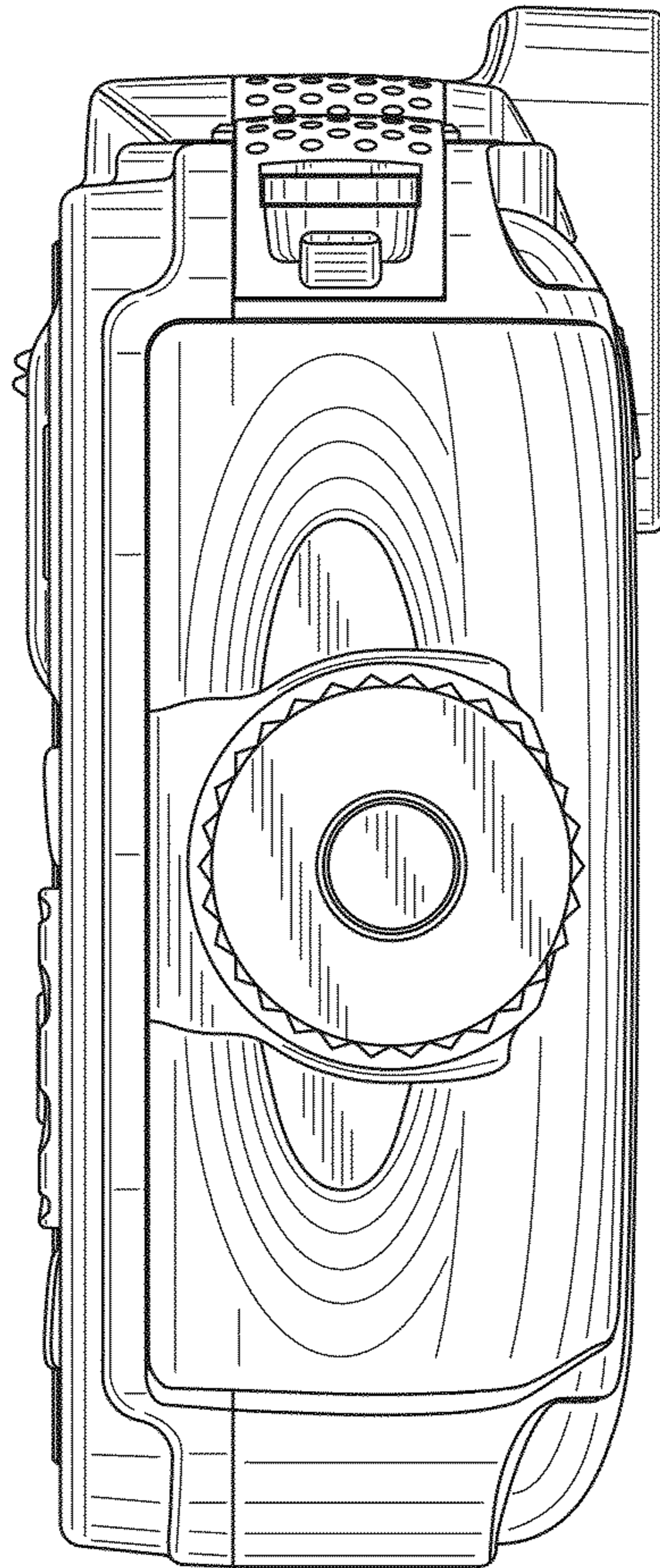


FIG. 9

