



US00D742951S

(12) **United States Design Patent**
Yanagisawa

(10) **Patent No.:** **US D742,951 S**

(45) **Date of Patent:** **** Nov. 10, 2015**

(54) **DIGITAL CAMERA**

(71) Applicant: **Nikon Corporation**, Tokyo (JP)

(72) Inventor: **Masaaki Yanagisawa**, Chigasaki (JP)

(73) Assignee: **Nikon Corporation**, Tokyo (JP)

(**) Term: **14 Years**

(21) Appl. No.: **29/498,350**

(22) Filed: **Aug. 1, 2014**

(30) **Foreign Application Priority Data**

Feb. 6, 2014 (JP) 2014-002413

(51) **LOC (10) Cl.** **16-01**

(52) **U.S. Cl.**
USPC **D16/202**

(58) **Field of Classification Search**
USPC D16/200, 202–206, 218, 219;
348/373–376; 396/535, 539–541
CPC G03B 15/03; G03B 17/02; G03B 17/04;
G03B 17/56; G03B 19/04; H04N 5/2251;
H04N 5/2252; H04N 5/2253; H04N 5/2254;
H04N 2101/00

See application file for complete search history.

(56) **References Cited**

U.S. PATENT DOCUMENTS

D597,578 S * 8/2009 Kim et al. D16/202
D601,605 S * 10/2009 Yoo D16/202
7,646,426 B2 * 1/2010 Saiki et al. 348/373

D662,958 S * 7/2012 Fujita D16/202
D689,111 S * 9/2013 Kobayashi D16/202
D695,329 S * 12/2013 Fujita et al. D16/202
D716,862 S * 11/2014 Hoshi D16/202
D719,599 S * 12/2014 Fujita D16/202
D729,297 S * 5/2015 Ikegame D16/202

FOREIGN PATENT DOCUMENTS

JP 1450853 S 9/2012

* cited by examiner

Primary Examiner — Adir Aronovich

(74) *Attorney, Agent, or Firm* — Wolf, Greenfield & Sacks, P.C.

(57) **CLAIM**

The ornamental design for a digital camera, as shown and described.

DESCRIPTION

FIG. 1 is a front, top and right side perspective view of a digital camera showing my new design;
FIG. 2 is a rear, top and left side perspective view thereof;
FIG. 3 is a front elevational view thereof;
FIG. 4 is a rear elevational view thereof;
FIG. 5 is a top plan view thereof;
FIG. 6 is a bottom plan view thereof;
FIG. 7 is a right side elevational view thereof; and,
FIG. 8 is a left side elevational view thereof.
The features shown in broken lines in the drawings depict environmental subject matter only and form no part of the claimed design. The dot-dashed lines define the boundaries of the claimed design and form no part thereof.

1 Claim, 8 Drawing Sheets

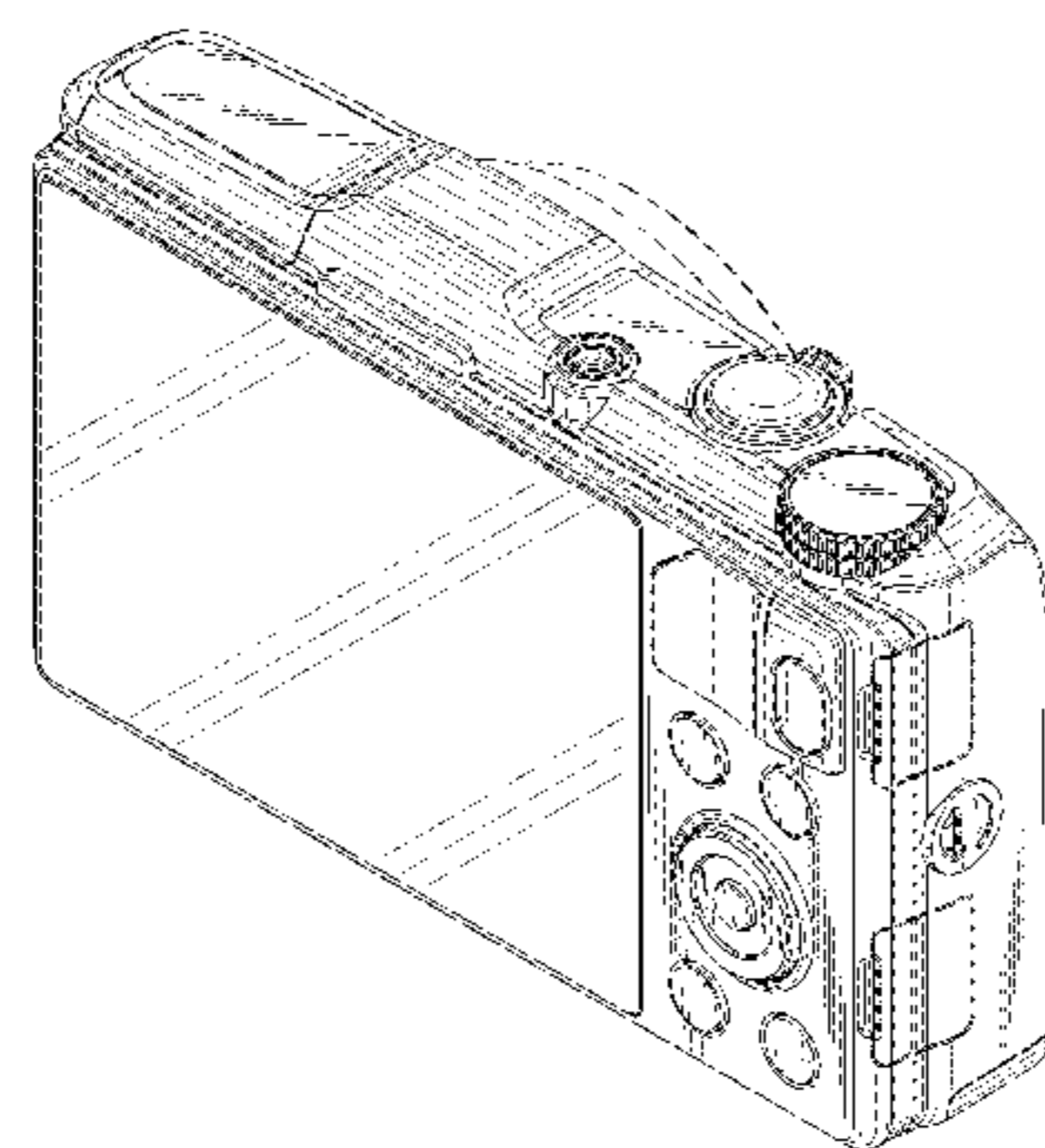
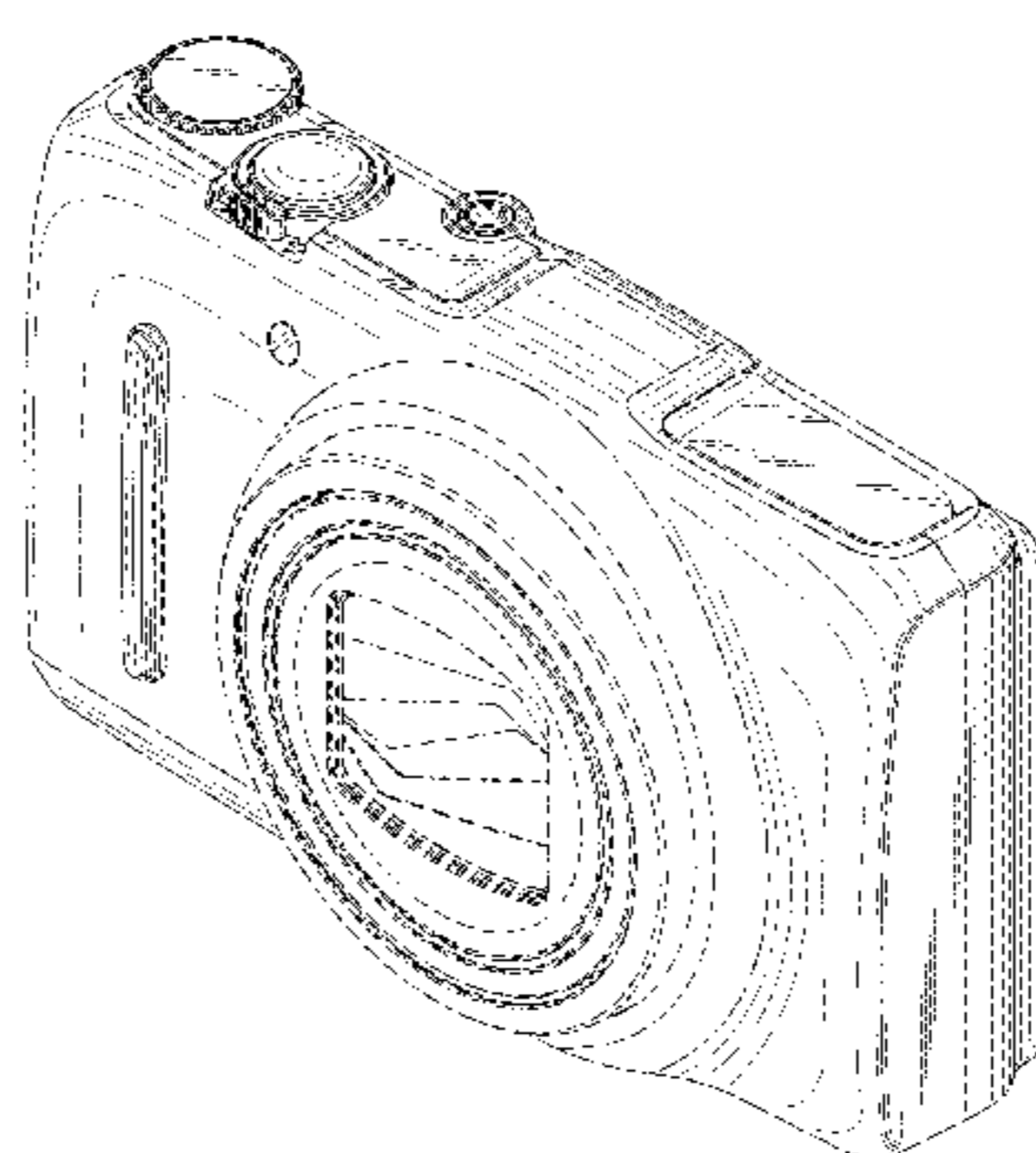


FIG. 1

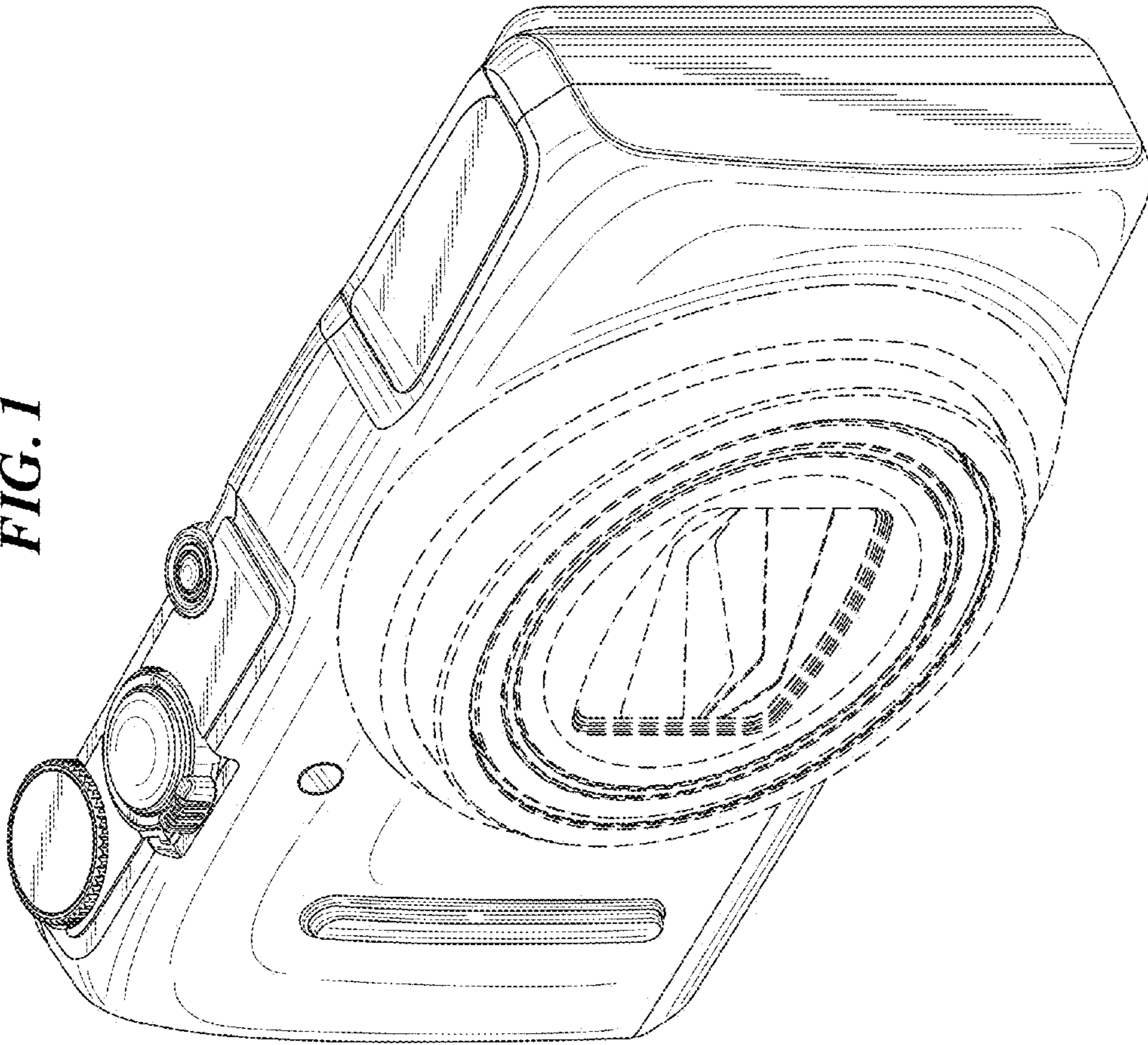


FIG. 2

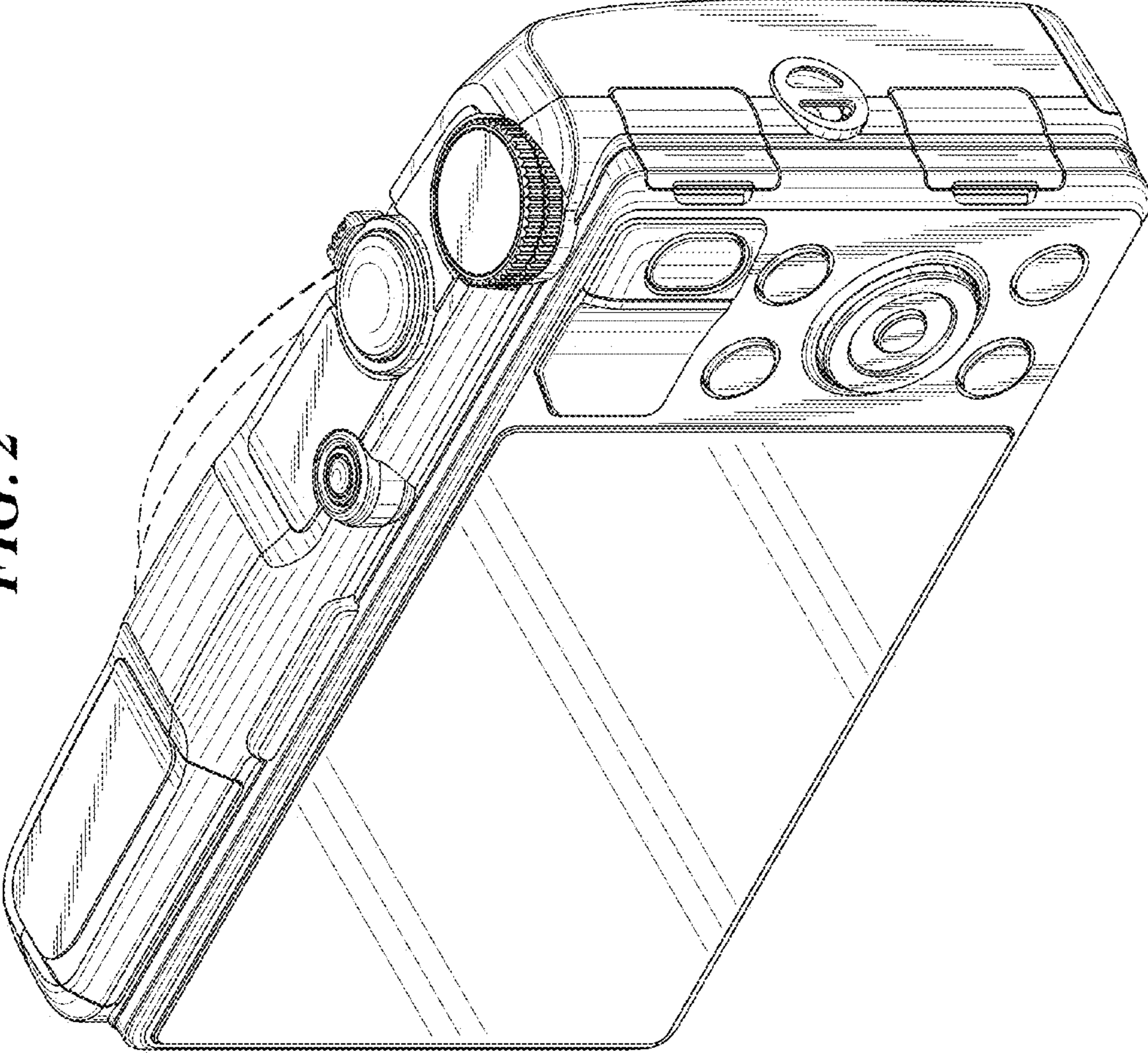


FIG. 3

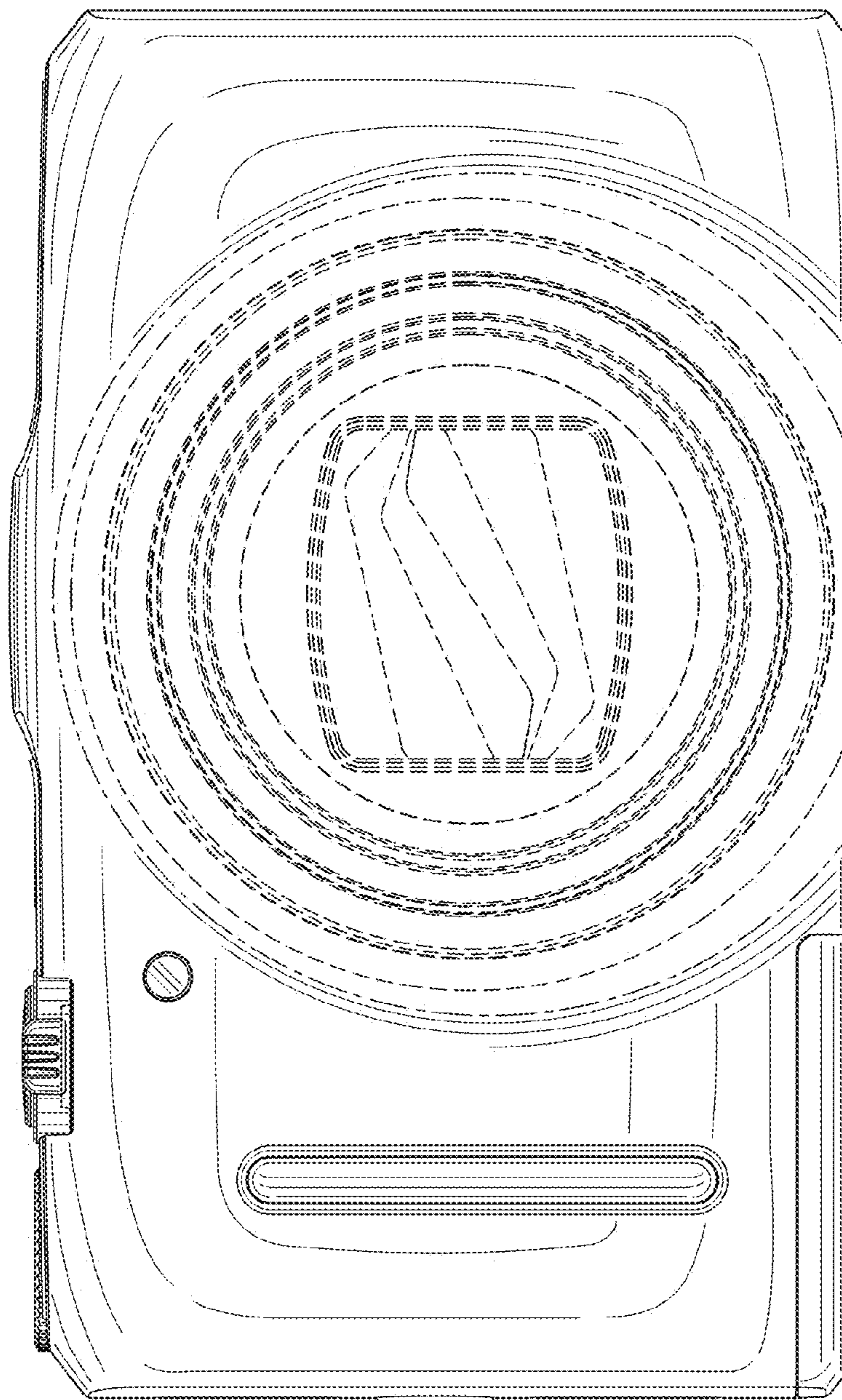


FIG. 4

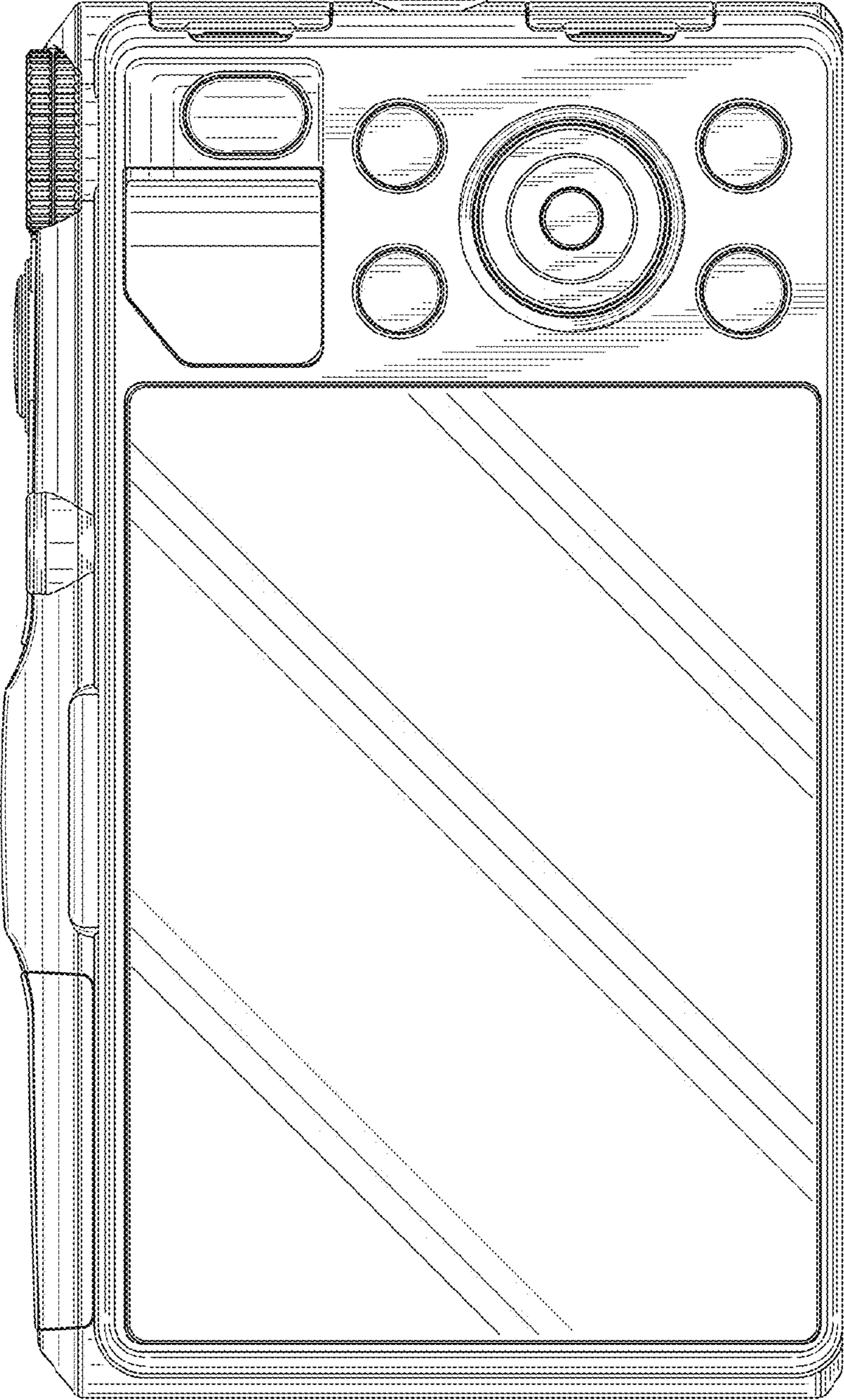


FIG. 5

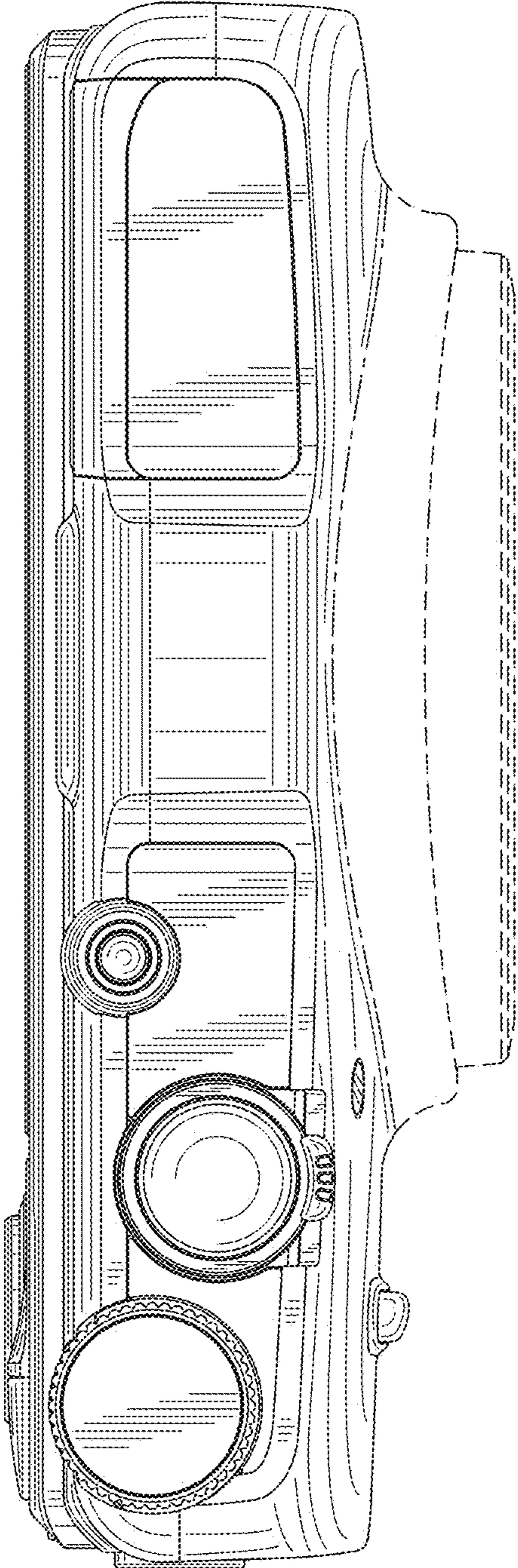


FIG. 6

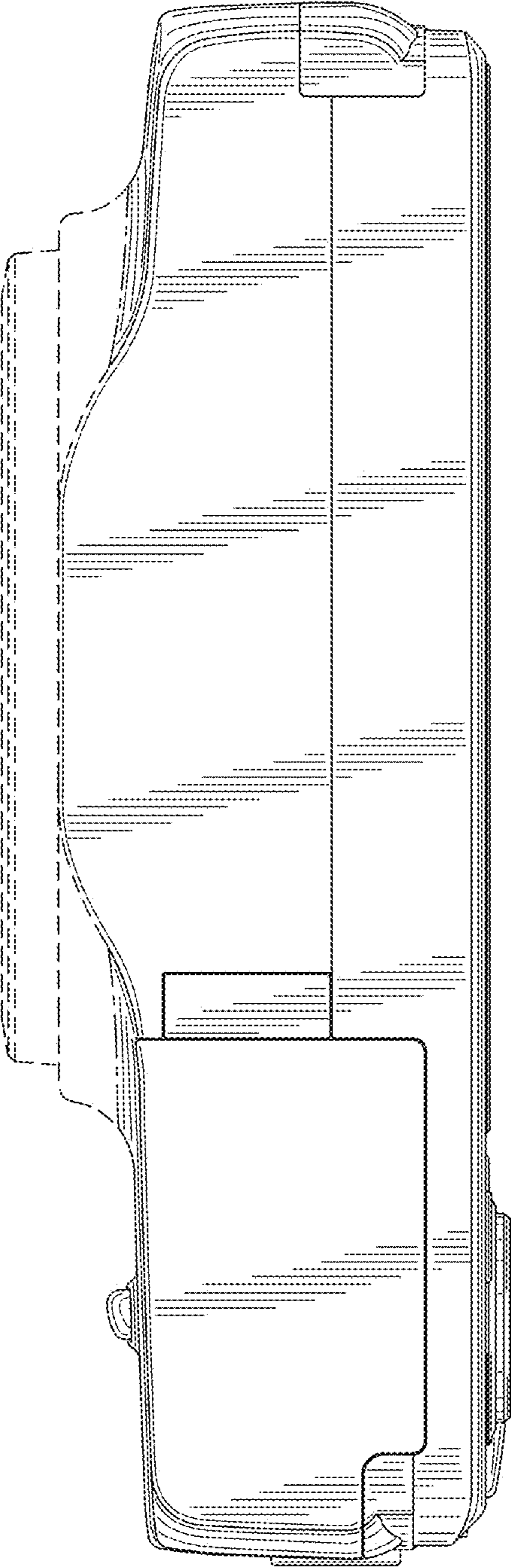


FIG. 7

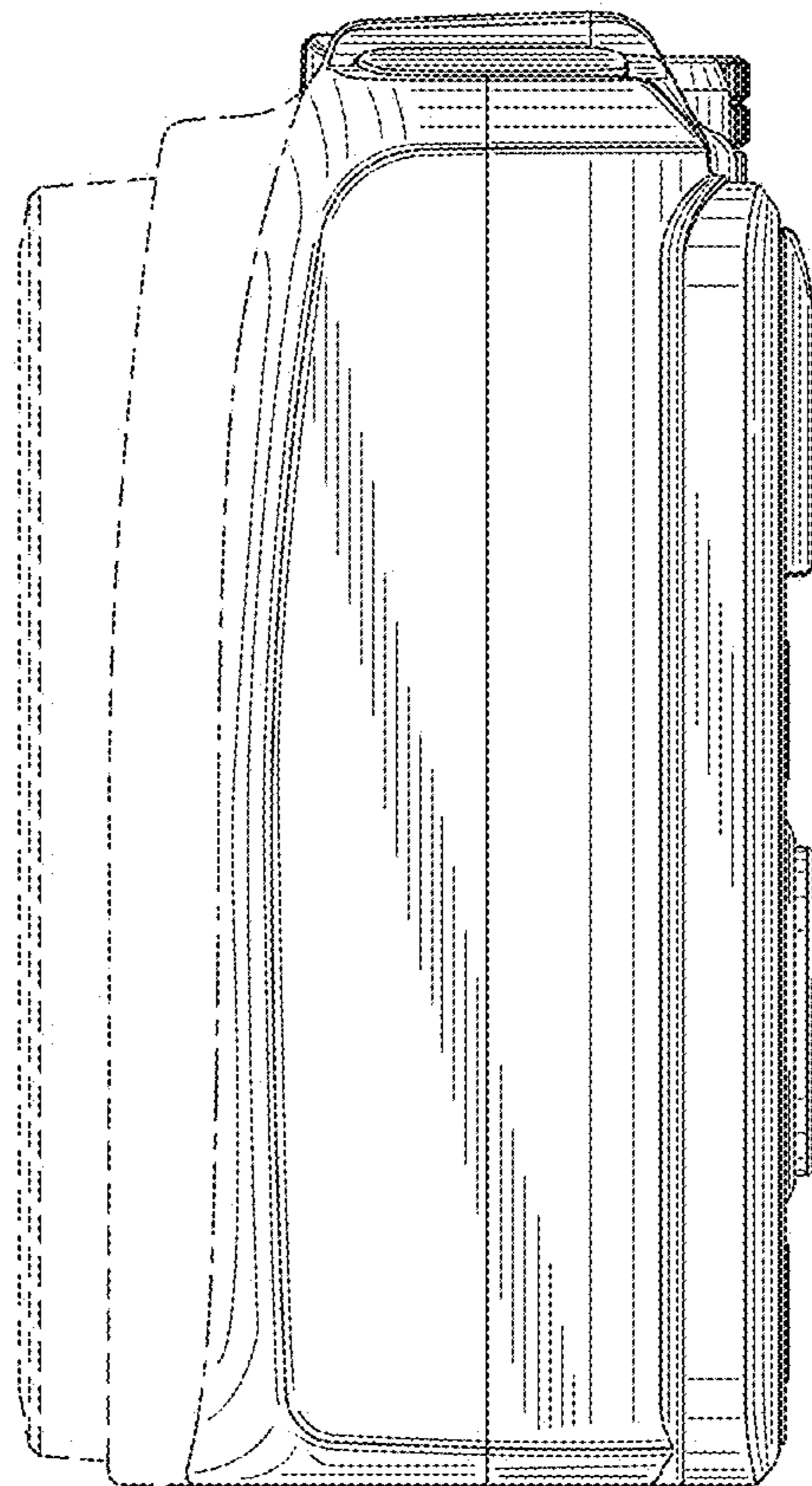


FIG. 8

